

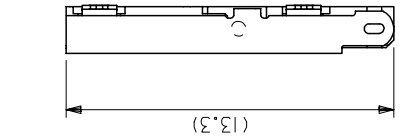
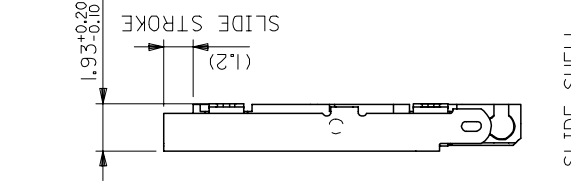
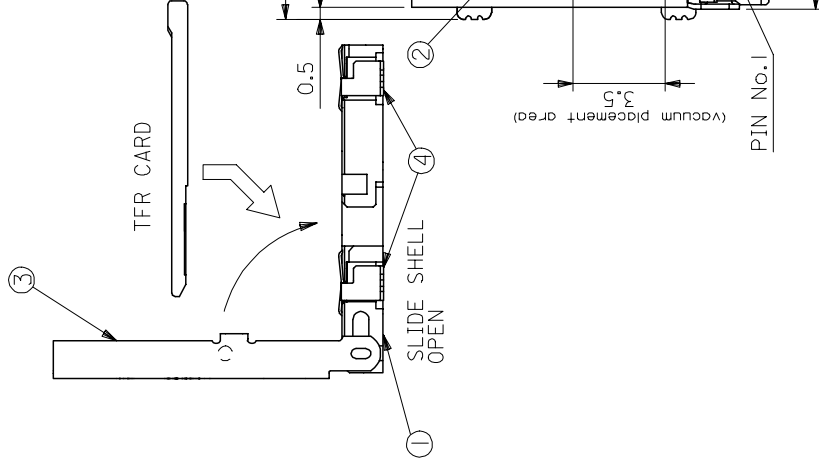


**THE DATASHEET OF**  
**500901-0800**



10 9 8 7 6 5 4 3

NO.	PARTS DESCRIPTION	QTY	MATEF
①	HOUSING	1	LIQUID CR POLYMER
②	TERMINAL	8	PHOSPHOR
③	SHELL	1	STAINLESS
④	NAIL	4	PHOSPHOR



SLIDE SHELL LOCK

SLIDE SHELL OPEN

NOTE

\* EACH TERMINALS

WITH EMBOSSED CONNECTOR PACKAGE

GENERAL TOLERANCES (UNLESS SPECIFIED)		DIMENSION STYLE		SCALE
10 UNDER	± 0.2	MM ONLY	DATE	5:1
10 OVER	± 0.25	DRAWN BY	03/9/30	TITLE
30 OVER	± 0.3	CHECKED BY	03/9/30	
ANGULAR	± 3 °	APPROVED BY	03/9/30	
DRAFT WHERE APPLICABLE MUST REMAIN WITHIN DIMENSIONS		MATERIAL NO.	YO ITO	DOCUMENT
		SEE CHART	SD-5	
		THIS DRAWING CONTAINS INFORMATION INCORPORATED AND SHOULD BE INCORPORATED AND SHOULD		

REV	DESCRIPTION
F	REVISED EC NO: J2005-2205 DRWNG:KSETO 2005/02/03 CHKD:TWATANABE 2005/02/03 APP:JM YAZAWA 2005/02/08

10 9 8 7 6 5 4 3

10 9 8 7 6 5 4 3

F

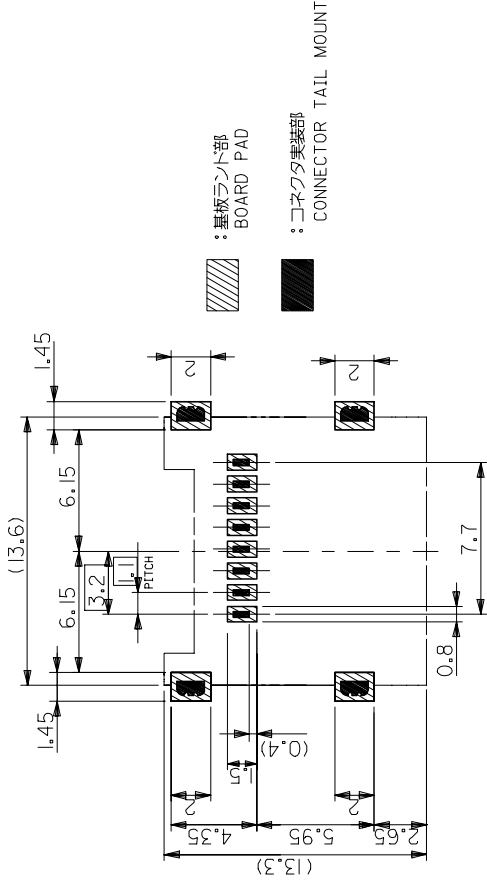
E

D

C

B

A



推奨基板寸法 (上面図) 一般公差 : ±0.05  
 RECOMMENDED P.C. BOARD LAYOUT (TOP VIEW)  
 GENERAL TOLERANCES : ±0.05

REVISED		DESCRIPTION		GENERAL TOLERANCES (UNLESS SPECIFIED)		DIMENSION STYLE		SCALE
EC NO: J2005-2205		DRW:K:SETO		10 UNDER ±0.2		MM ONLY		4:1
2005/02/03		2005/02/03		10 OVER 30 UNDER ±0.25		DRAWN BY		TITLE
2005/02/08		2005/02/08		30 OVER ±0.3		TWATANABE		03/9/30
APPR: JM YAZAWA		APPR: JM YAZAWA		ANGULAR ±3 °		CHECKED BY		03/9/30
REVISED		REVISED		DRAFT WHERE APPLICABLE MUST REMAIN WITHIN DIMENSIONS		HTAKASE		03/9/30
EC NO: J2005-2205		EC NO: J2005-2205		WITHIN DIMENSIONS		APPROVED BY		03/9/30
2005/02/03		2005/02/03				YO ITO		03/9/30
2005/02/08		2005/02/08				MATERIAL NO.		
APPR: JM YAZAWA		APPR: JM YAZAWA				SEE CHART		
DRW:K:SETO		DRW:K:SETO				SIZE		A3
2005/02/03		2005/02/03				THIS DRAWING CONTAINS INFORMATION INCORPORATED AND SHOULD		
2005/02/08		2005/02/08				INCORPORATED AND SHOULD		

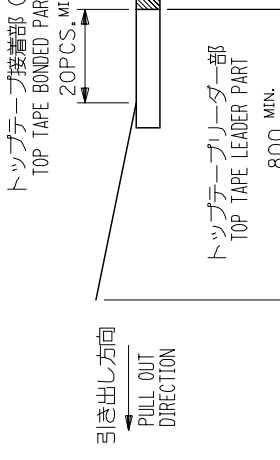
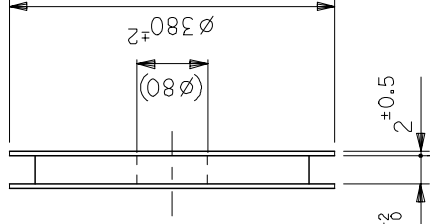
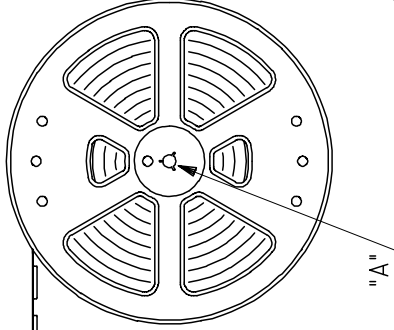
fb\_frames\_A3\_J\_ME\_S  
 Rev. D 2004/04/02

3 4 5 6 7 8 9

NOTES

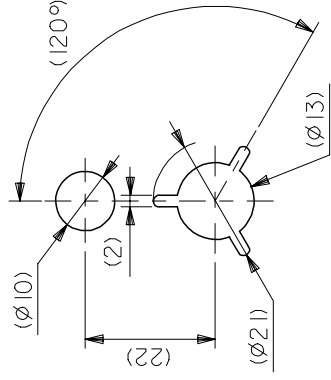
1. 製品詳細寸法については、SD図面を参照  
THE DETAIL DIMENSIONS REFER
2. 梱包数量：1400個/リール  
NUMBER OF CONNECTORS : 1400
3. リードテープ長さ LEAD TAPE LENG

引き出し方向  
PULL OUT  
DIRECTION



4. トップテープの剥離強度：0.1Nへ1.3N  
尚、本規格値は出荷時に適用。(但し、輸  
PEEL FORCE OF TOP TAPE : 0.1N  
(PEEL DIRECTION AS SHOWN IN F  
THIS REQUIREMENT SHOULD BE  
PEEL OFF SHOULD NOT BE ALLO

引き出し方向  
PULL OUT  
DIRECTION



5. 材料 (MATERIAL)

- キャリアテープ (CARRIER TAPE) :
- トップテープ (TOP TAPE) : PET, F
- リール (REEL) : ポリスチレン (PS) <
- POLYSTYRENE (P

GENERAL TOLERANCES (UNLESS SPECIFIED)		DIMENSION STYLE MM ONLY		SCALE ---
10 UNDER	$\pm 0.2$	DRAWN BY MSHINYAMA	DATE 03/09/30	TITLE
10 OVER	$\pm 0.25$	CHECKED BY HTAKASE	DATE 03/09/30	
30 OVER	$\pm 0.3$	APPROVED BY YO ITO	DATE 03/09/30	
ANGULAR	$\pm 3^\circ$	MATERIAL NO.		
DRAFT WHERE APPLICABLE MUST REMAIN WITHIN DIMENSIONS		DOCUMENT NO.	500901-0800	SD-5
		SIZE   THIS DRAWING CONTAINS INFORMATION INCORPORATED AND SHOULD		
		A3		

REVISED	EC NO: J2005-0574	DRWN: AIDA	2004/08/31	CHKD: HTAKASE	2004/08/31	APPR: JM YAZAWA	2004/09/02
DESCRIPTION							

10 9 8 7 6 5 4 3

F

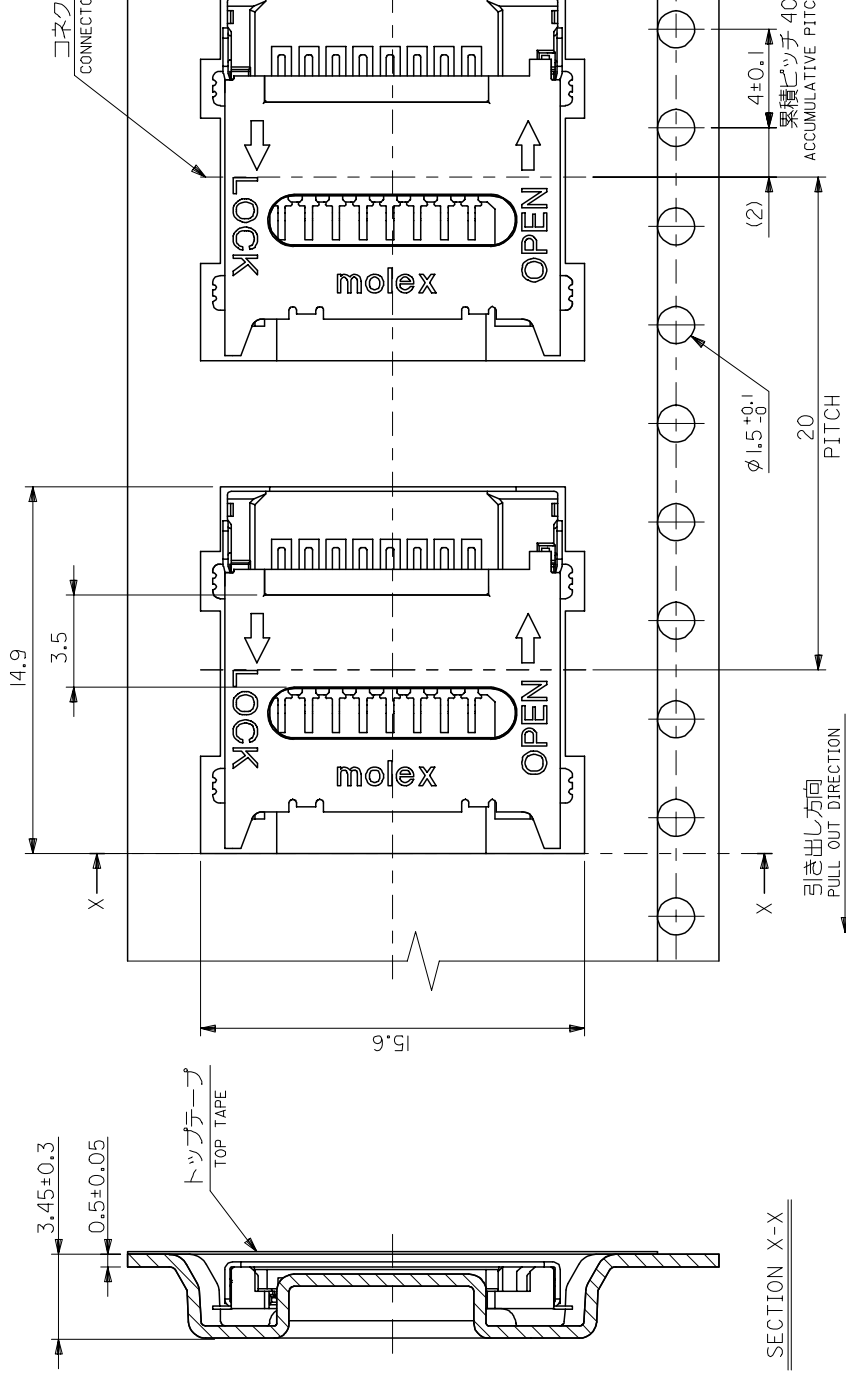
E

D

C

B

A



GENERAL TOLERANCES (UNLESS SPECIFIED)		DIMENSION STYLE MM ONLY		SCALE ---
10 UNDER	±0.2	DRAWN BY MSHINYAMA	DATE 03/09/30	TITLE
10 OVER	30 UNDER	CHECKED BY HTAKASE	DATE 03/09/30	
30 OVER	±0.3	APPROVED BY YO ITO	DATE 03/09/30	
ANGULAR	±3 °	MATERIAL NO. 500901-0800		
DRAFT WHERE APPLICABLE MUST REMAIN WITHIN DIMENSIONS		DOCUMENT SD-5		
REVISED		THIS DRAWING CONTAINS INFORMATION INCORPORATED AND SHOULD		
EC NO: J2005-0574		A3		
DRW: AIDA 2004/08/31				
CHKD: HTAKASE 2004/08/31				
APP: JM YAZAWA 2004/09/02				
DESCRIPTION				

fb\_frames\_A3\_J\_ME\_S  
Rev. D 2004/04/02

3 4 5 6 7 8 9

## Looking for pricing, stock, or lifecycle information?

Click below to explore more details on WIN SOURCE:

 [View 500901-0800 on WIN SOURCE](#)

 [Molex, LLC Information](#)

## Optimize Your Supply Chain with WIN SOURCE Solutions

-  Global Sourcing Solution
-  Obsolete Management
-  Cost Control Management
-  Shortage Management
-  Alternative Solution
-  Excess Inventory Management