



**THE DATASHEET OF  
RCLAMP2451Y.TFT**



#### PROTECTION PRODUCTS - RailClamp®

#### Description

RailClamp® TVS diodes are ultra low capacitance devices designed to protect sensitive electronics from damage or latch-up due to ESD, EFT, and EOS. They are designed for use on high speed ports in applications such as cell phones, notebook computers, and other portable electronics. These devices offer desirable characteristics for board level protection including fast response time, low operating and clamping voltage, and no device degradation.

RClamp®2451Y is specifically designed for protection of Near Field Communications (NFC) interfaces. It features extremely good ESD protection characteristics including a low typical dynamic resistance of 0.16 Ohms (typical), low peak ESD clamping voltage, and high ESD withstand voltage (+/-16kV contact per IEC 61000-4-2). Low typical capacitance (0.35pF at VR=0V) means that RClamp2451Y will not create harmonic distortion in the RF signal. This device is bidirectional and has a working voltage of 24V for use on NFC resonator circuits without signal clipping.

RClamp2451Y is in a 2-pin SLP0603P2X3E package measuring 0.6 x 0.3 mm with a nominal height of 0.25mm. Leads are finished with lead-free NiAu. The combination of working voltage, low dynamic resistance, and low capacitance makes this device ideal for use on NFC antenna circuits, RF signal lines, and FM antennas in portable devices.

#### Features

- ◆ High ESD withstand Voltage: +/-**16kV** (Contact/Air) per **IEC 61000-4-2**
- ◆ Able to withstand over 1000 ESD strikes per IEC 61000-4-2 Level 4
- ◆ Ultra-small **0201 package**
- ◆ Protects one high speed data line
- ◆ Working voltage: +/- 24V
- ◆ Low capacitance: **0.35pF typical**
- ◆ Low dynamic resistance: **0.16 Ohms (Typ)**
- ◆ Low ESD clamping voltage
- ◆ Solid-state silicon-avalanche technology

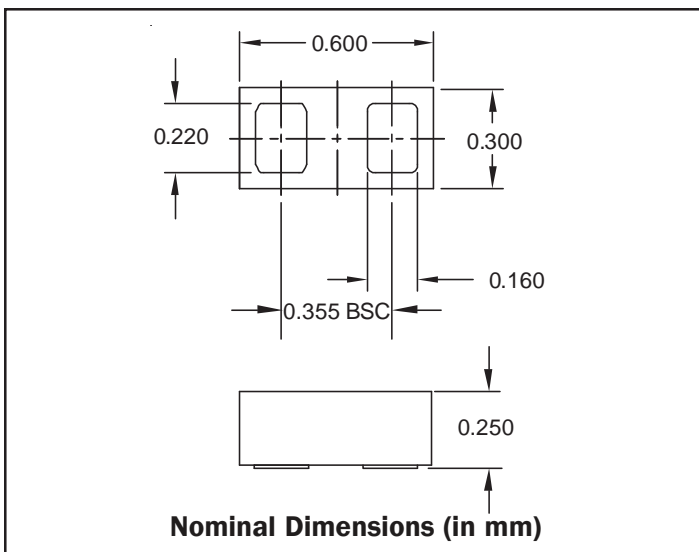
#### Mechanical Characteristics

- ◆ SLP0603P2X3E Package
- ◆ Pb-Free, Halogen Free, RoHS/WEEE Compliant
- ◆ Nominal Dimensions: 0.6 x 0.3 x 0.25 mm
- ◆ Lead Finish: NiAu
- ◆ Marking: Marking Code
- ◆ Packaging: Tape and Reel

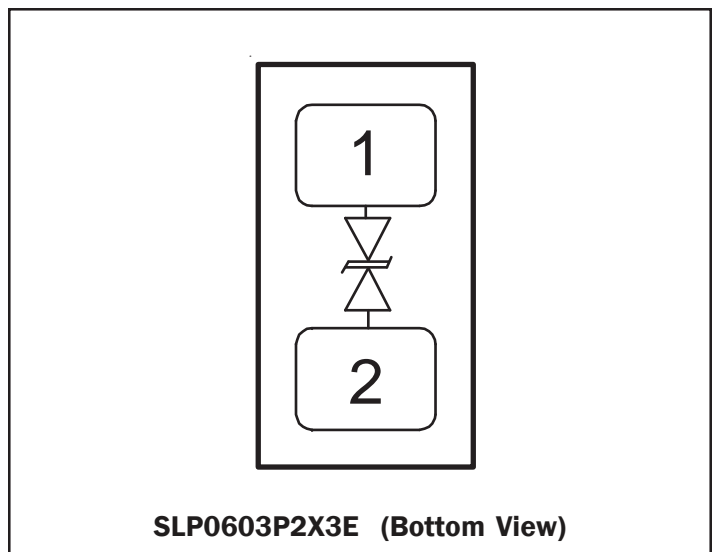
#### Applications

- ◆ Near Field Communication (NFC) lines
- ◆ RF signal lines
- ◆ FM Antenna

#### Nominal Dimensions



#### Schematic



## PROTECTION PRODUCTS

### Absolute Maximum Rating

Rating	Symbol	Value	Units
Peak Pulse Power (tp = 8/20μs)	$P_{pk}$	60	Watts
Maximum Peak Pulse Current (tp = 8/20μs)	$I_{pp}$	3	Amps
ESD per IEC 61000-4-2 (Air) <sup>1</sup> ESD per IEC 61000-4-2 (Contact) <sup>1</sup>	$V_{ESD}$	+/- 16 +/- 16	kV
Operating Temperature	$T_J$	-40 to +85	°C
Storage Temperature	$T_{STG}$	-55 to +150	°C

### Electrical Characteristics (T=25°C)

Parameter	Symbol	Conditions	Minimum	Typical	Maximum	Units
Reverse Stand-Off Voltage	$V_{RWM}$	Pin 1 to 2 or 2 to 1			24	V
Trigger Voltage <sup>2</sup>	$V_{TRIG}$	tp = 0.2/100ns		28		V
Reverse Leakage Current	$I_R$	$V_{RWM} = 24V, T=25^\circ C$ Pin 1 to 2 or 2 to 1		<1	50	nA
ESD Clamping Voltage <sup>2</sup>	$V_C$	$I_{pp} = 4A,$ tIp = 0.2/100ns		5		V
ESD Clamping Voltage <sup>2</sup>	$V_C$	$I_{pp} = 16A,$ tIp = 0.2/100ns		7		V
Dynamic Resistance <sup>2, 3</sup>	$R_D$	tp = 0.2/100ns		0.16		Ohms
Junction Capacitance	$C_J$	$V_R = 0V, f = 1MHz$		0.35	0.45	pF

#### Notes

1)ESD gun return path connected to ESD ground reference plane.

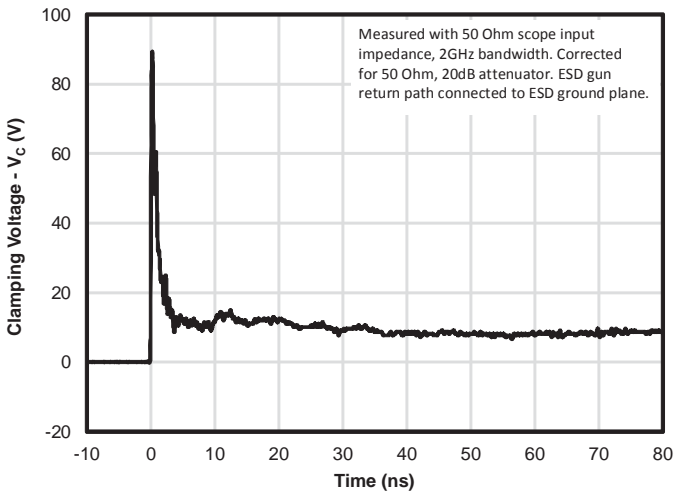
2)Transmission Line Pulse Test (TLP) Settings:  $t_p = 100ns, t_r = 0.2ns, I_{TLP}$  and  $V_{TLP}$  averaging window:  $t_1 = 70ns$  to  $t_2 = 90ns$ .

3) Dynamic resistance calculated from  $I_{TLP} = 4A$  to  $I_{TLP} = 16A$

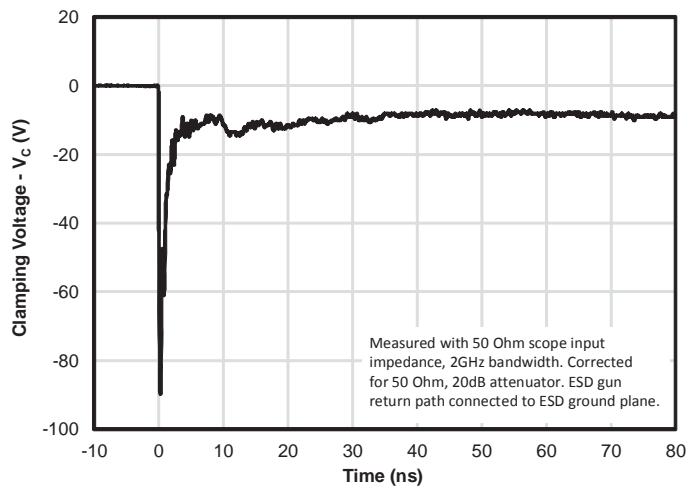
## PROTECTION PRODUCTS

### Typical Characteristics

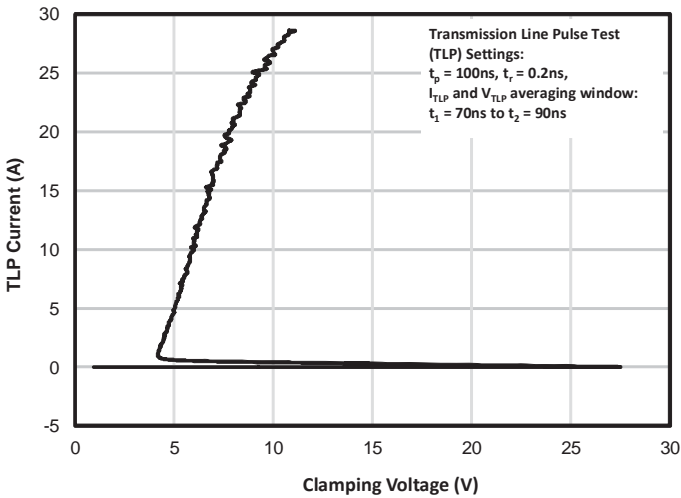
#### ESD Clamping (+8kV Contact per IEC 61000-4-2)



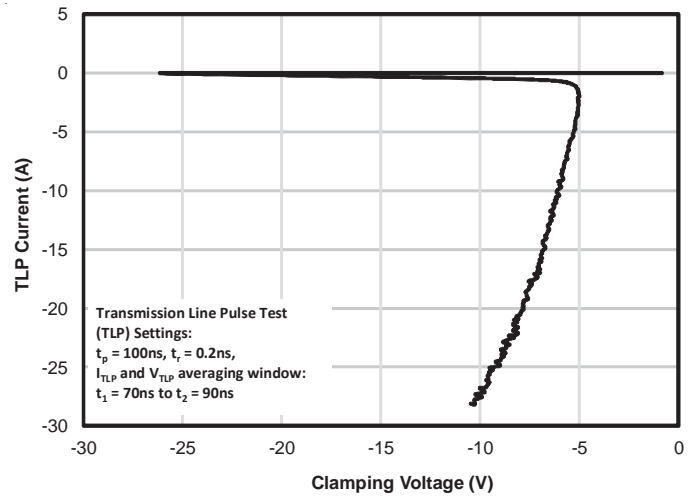
#### ESD Clamping (-8kV Contact per IEC 61000-4-2)



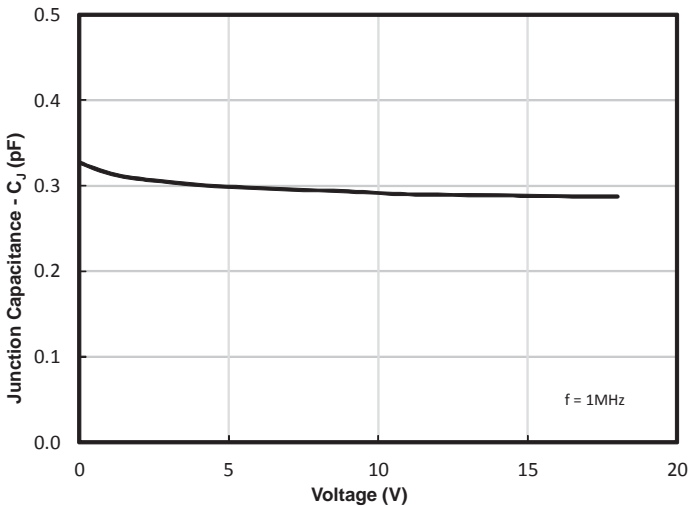
#### TLP Characteristic (Positive)



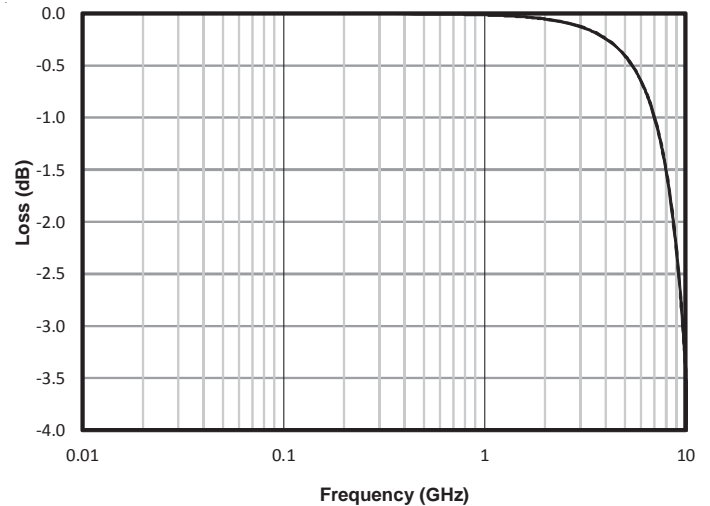
#### TLP Characteristic (Negative)



#### Junction Capacitance vs. Reverse Voltage



#### Typical Insertion Loss (S21)

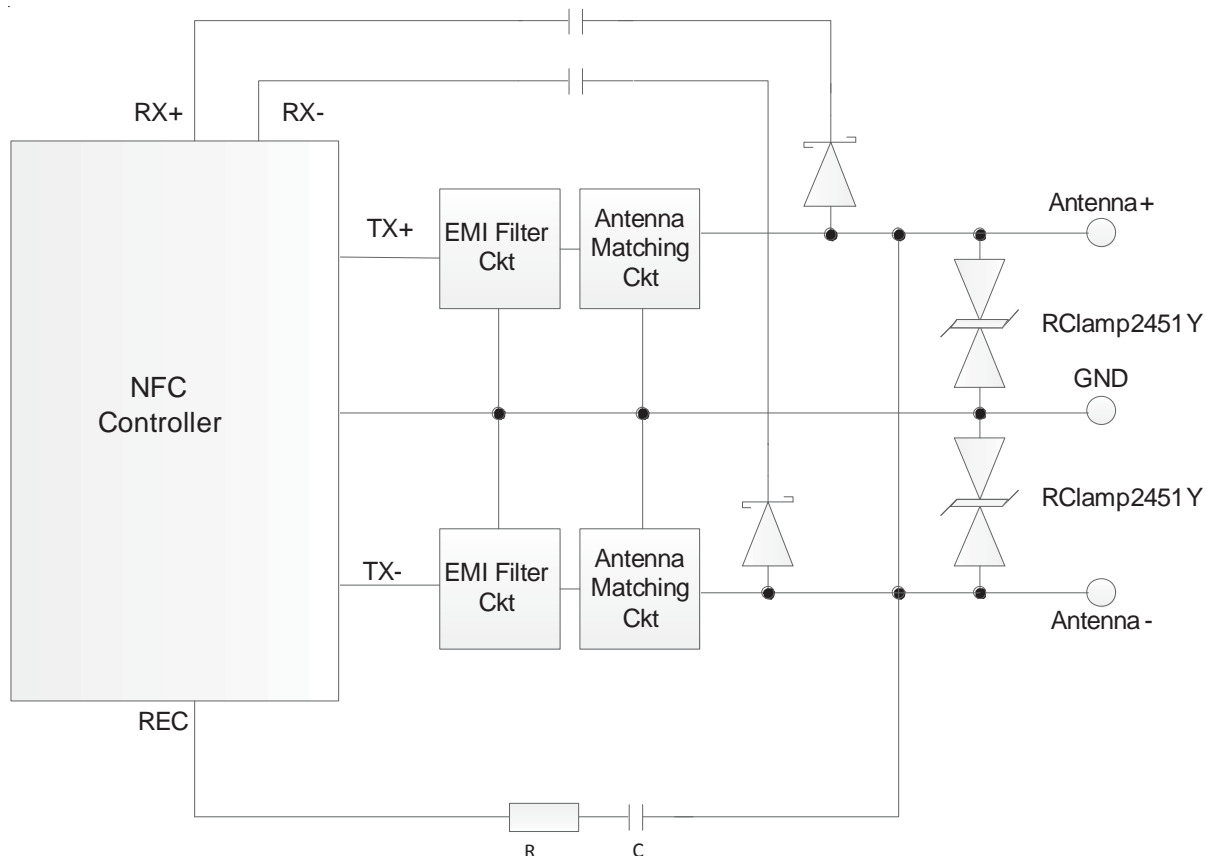


## PROTECTION PRODUCTS

### Applications Information

#### ESD Protection of NFC Interfaces

The Near Field Communication (NFC) antenna is usually connected to the NFC controller IC via contact points on the phone. These contact points are user accessible and therefore may be subjected to ESD strikes. External protection (TVS) devices should be placed between the antenna and the NFC chip interface. The working voltage of the TVS should be high enough as not to clip the NFC signal. Additionally, the capacitance of the device should be minimized in order to avoid harmonic distortion of the RF signal. RClamp2451Y meets these requirements and also features extremely low dynamic resistance (<0.1 Ohms) resulting in low ESD clamping voltage. The low dynamic resistance also helps insure protection for Schottky diodes that may be used in the NFC circuit. RClamp2451Y is designed to work on NFC circuits with AC signals as high as 24V. An example protection circuit using RClamp2451Y is shown below in Figure 1.

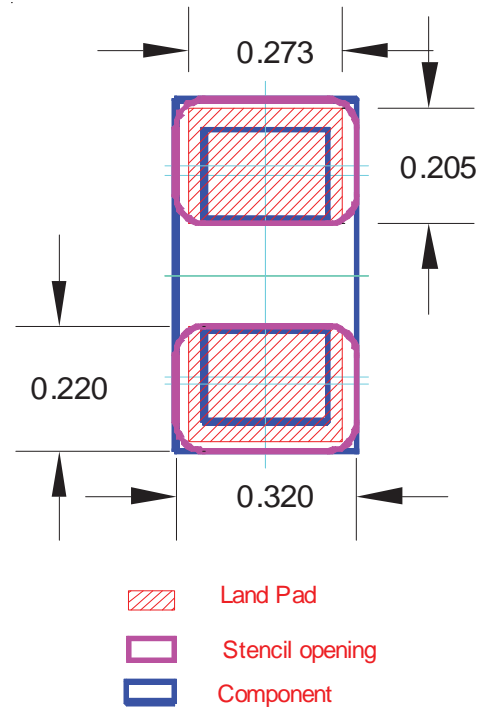


**Figure 1 - NFC Protection Example**

**PROTECTION PRODUCTS**
**Applications Information**
**Assembly Guidelines**

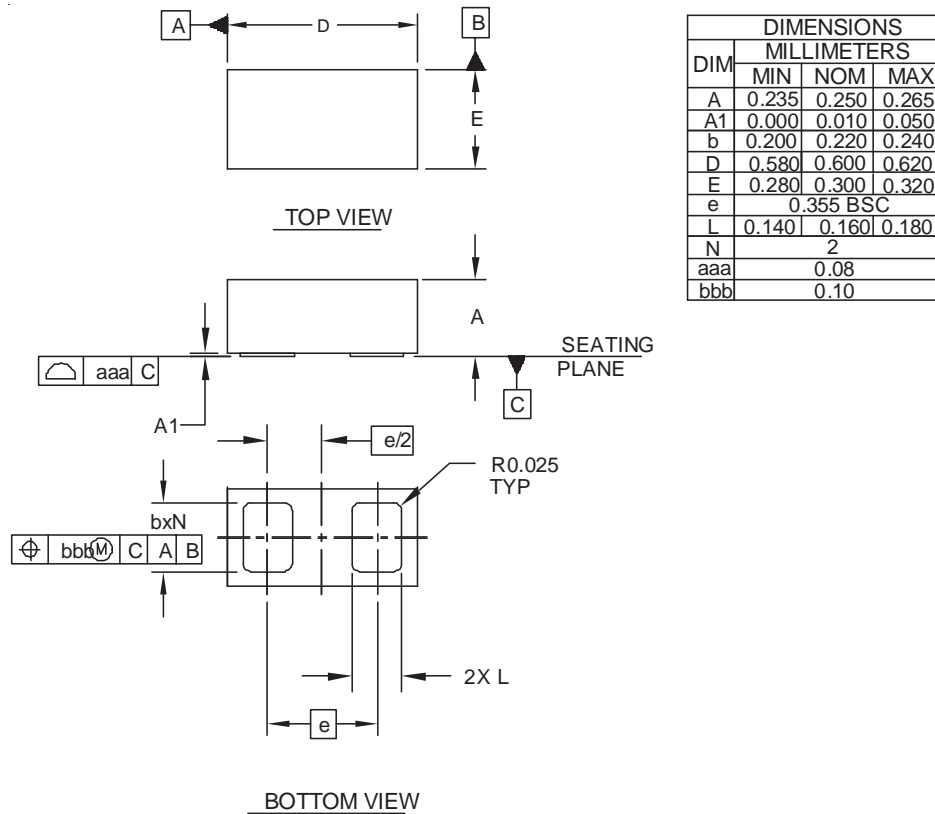
The small size of this device means that some care must be taken during the mounting process to insure reliable solder joints. The figure at the right details Semtech's recommended aperture based on the assembly guidelines detailed in the table below. Note that these are only recommendations and should serve only as a starting point for design since there are many factors that affect the assembly process. Exact manufacturing parameters will require some experimentation to get the desired solder application.

Assembly Parameter	Recommendation
Solder Stencil Design	Laser cut, Electro-polished
Aperture shape	Rectangular with rounded corners
Solder Stencil Thickness	0.100 mm (0.004")
Solder Paste Type	Type 4 size sphere or smaller
Solder Reflow Profile	Per JEDEC J-STD-020
PCB Solder Pad Design	Non-Solder mask defined
PCB Pad Finish	OSP OR NiAu


**Recommended Mounting Pattern**

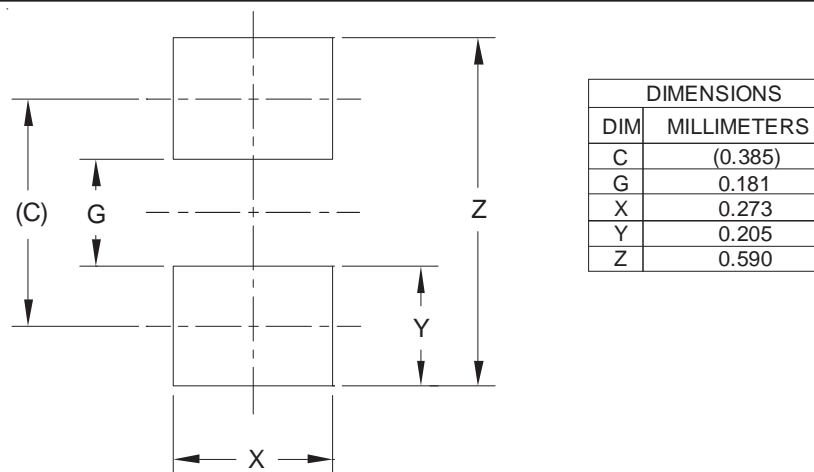
## PROTECTION PRODUCTS

### Outline Drawing - SLP0603P2X3E



- NOTES:
1. CONTROLLING DIMENSIONS ARE IN MILLIMETERS(ANGLES IN DEGREES).

### Land Pattern - SLP0603P2X3E



- NOTES:
1. CONTROLLING DIMENSIONS ARE IN MILLIMETERS ( ANGLES IN DEGREES ).
  2. THIS LAND PATTERN IS FOR REFERENCE PURPOSES ONLY .  
CONSULT YOUR MANUFACTURING GROUP TO ENSURE YOUR  
COMPANY'S MANUFACTURING GUIDELINES ARE MET .

## PROTECTION PRODUCTS

### Marking Code



### Ordering Information

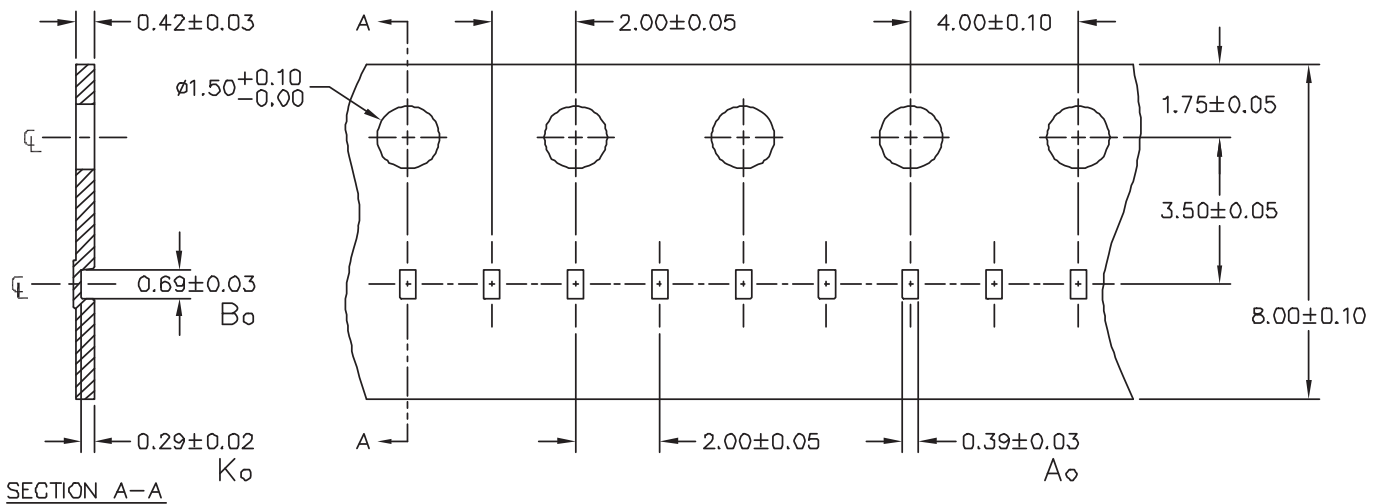
Part Number	Qty per Reel	Pocket Pitch	Reel Size
RClamp2451Y.TFT	15,000	2mm	7 Inch

Notes:

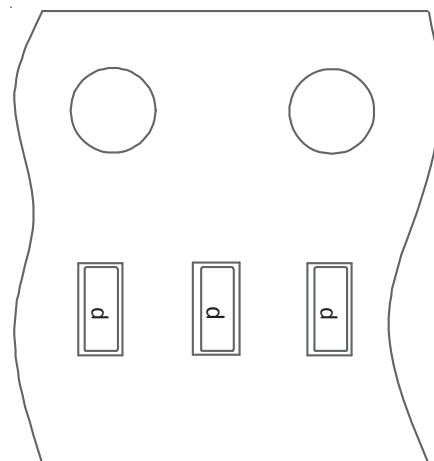
RailClamp and RClamp are trademarks of Semtech Corporation

Note:  
Device is electrically symmetrical

### Carrier Tape Specification



NOTES: ALL DIMENSIONS IN MILLIMETERS UNLESS OTHERWISE SPECIFIED.



**Device Orientation in Tape**

**Contact Information**

Semtech Corporation  
Protection Products Division  
200 Flynn Rd., Camarillo, CA 93012  
Phone: (805)498-2111 FAX (805)498-3804

## Looking for pricing, stock, or lifecycle information?

Click below to explore more details on WIN SOURCE:

- ⊖ [View RCLAMP2451Y.TFT on WIN SOURCE](#)
- ⊖ [Semtech Corporation](#) Information

## Optimize Your Supply Chain with WIN SOURCE Solutions

- ✓ Global Sourcing Solution
- ✓ Obsolete Management
- ✓ Cost Control Management
- ✓ Shortage Management
- ✓ Alternative Solution
- ✓ Excess Inventory Management