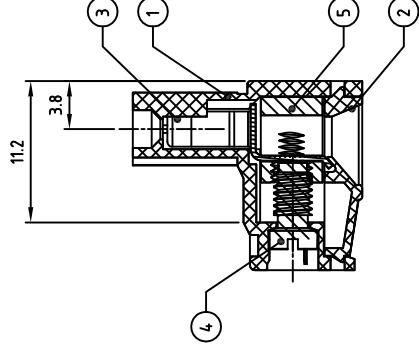
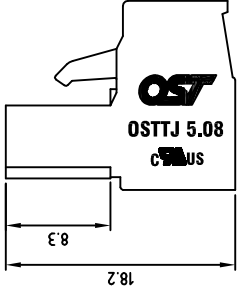
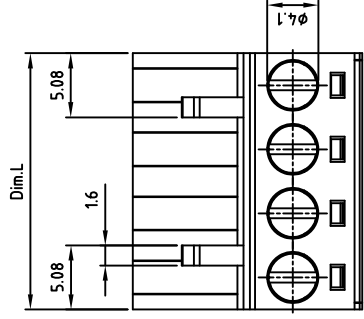
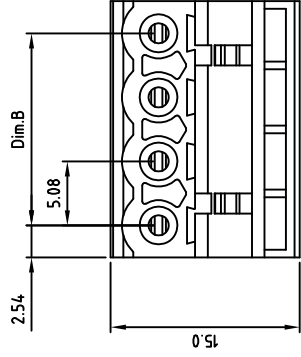
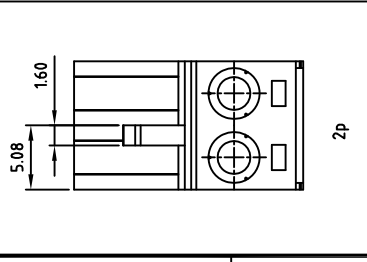




**THE DATASHEET OF
OSTTJ105153**



Transfer or duplication of this document as well as the utilisation or communication of its content are not permitted unless express consent is granted. Violations give rise to claims for damages. All rights reserved in case of patent, utility model or design patent registrations.



Dim.L=P×5.08
 Dim.B=(P-1)×5.08
 P= number of poles
 0-30mm
 over 30mm-60mm
 over 60mm-90mm
 over 90mm

10.Safety approval:
 11.RoHS Compliance

Part No.: OSTTJXX5

No. of Pol
 02 2 Pol
 03 3 Pol
 ... 24 Pol
 24 24 Pol

Nonstand
 Minis cou.

5	CAGE	BRASS
4	SCREW	Steel
3	WIRE GUARD	BRONZE (PbBz)
2	COVER	PA66 UL94V-0
1	BODY	PA66 UL94V-0
ITEM	NAME OF PART	MATERIAL
DWG.	Manwin Zhang	DATE 2016.05.19
CHK.		DATE
APP.		DATE




ON-SHORE TECHNOLOGY, INC.

SIGN	DESCRIPTION	CHK	DATE
------	-------------	-----	------

Looking for pricing, stock, or lifecycle information?

Click below to explore more details on WIN SOURCE:

-  [View OSTTJ105153 on WIN SOURCE](#)
-  [On Shore Technology Inc. Information](#)

Optimize Your Supply Chain with WIN SOURCE Solutions

-  Global Sourcing Solution
-  Obsolete Management
-  Cost Control Management
-  Shortage Management
-  Alternative Solution
-  Excess Inventory Management