

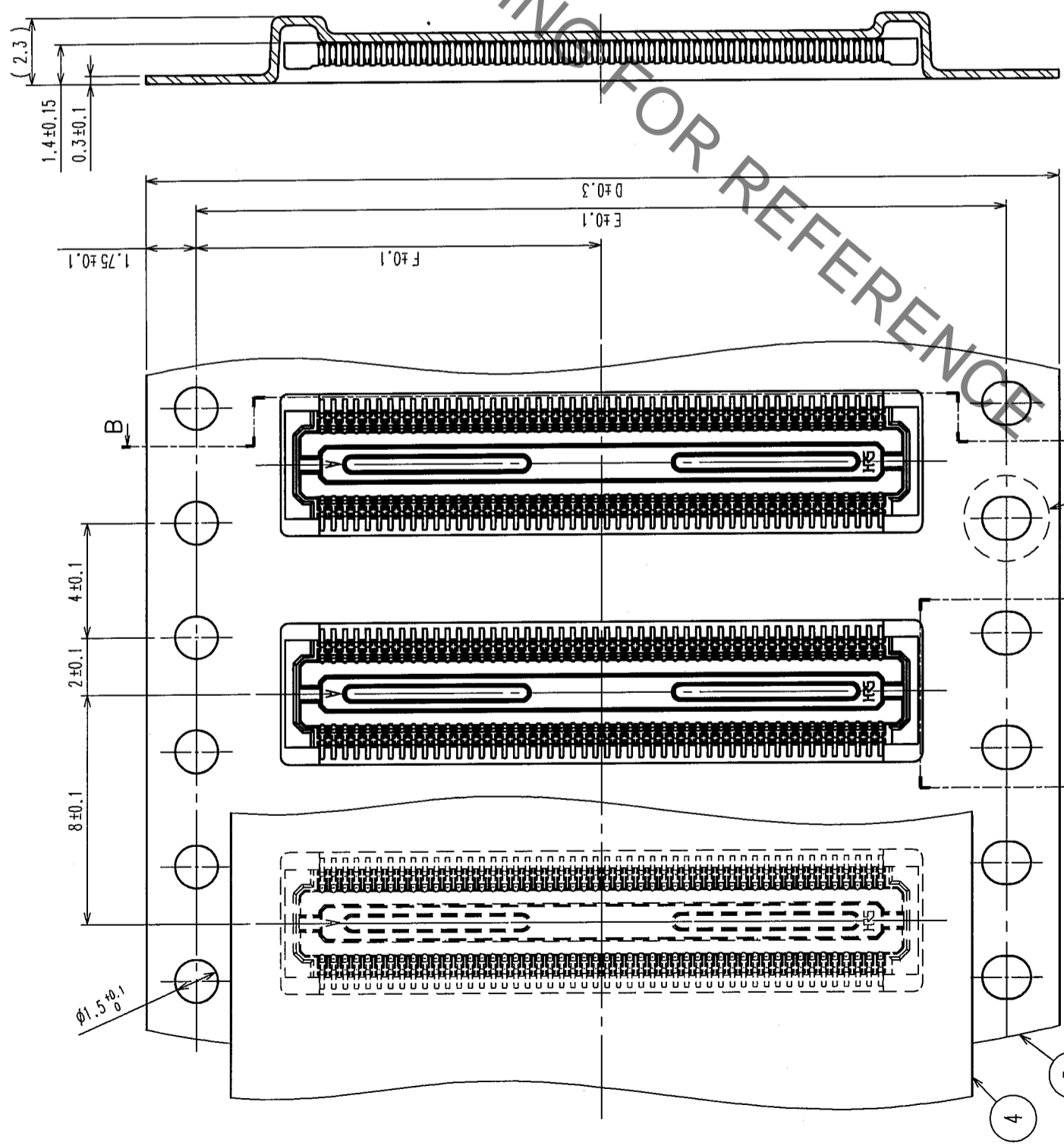


**THE DATASHEET OF
DF30FC-60DS-0.4V(82)**

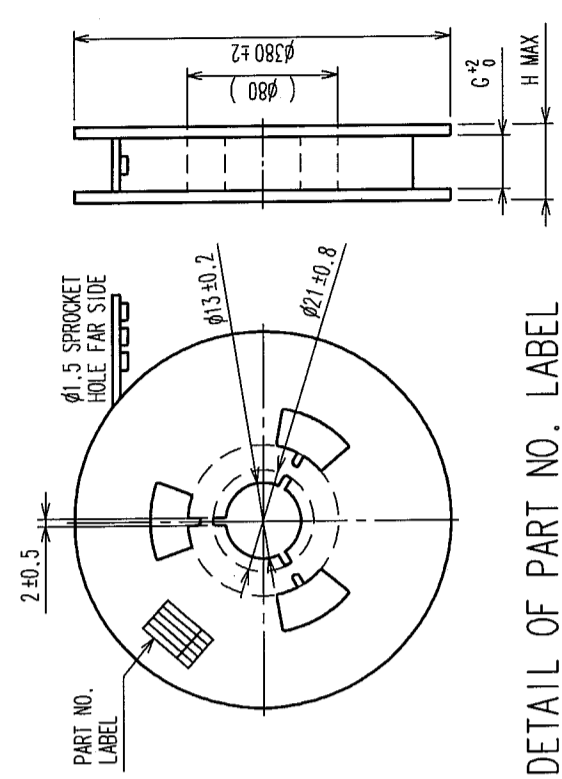


COUNT	DESCRIPTION OF REVISIONS	BY	CHKD	DATE	COUNT	DESCRIPTION OF REVISIONS	BY	CHKD	DATE
△									
△									
△									

B-B



STYLE AND DIMENSION OF REEL (FREE)

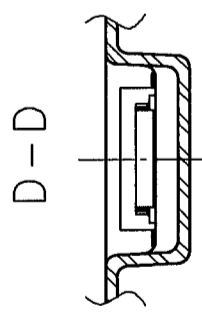
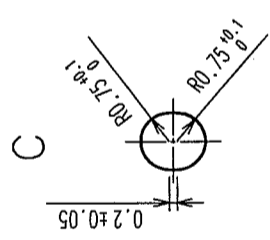


DETAIL OF PART NO. LABEL

SUPPLIER	ヒロセ電機 (株)
QUANTITY	1000個
PART NO.	CL684-***-82
CODE NO.	DF30FC-DS-0.4V(82)
DATE OF MANUFACTURE	年月日
生産月日	年月日
国番	CL684-***-82
品名	DF30FC-DS-0.4V(82)
納入数量	1000個
納入者	ヒロセ電機 (株)

PART NO.	D	E	F	G	H
DF30FC-80DS-0.4V(82)	32	28.4	14.2	32.4	38.4
DF30FC-70DS-0.4V(82)	24	-	11.5	24.4	30.4
DF30FC-60DS-0.4V(82)	24	-	11.5	24.4	30.4
DF30FC-50DS-0.4V(82)	24	-	11.5	24.4	30.4
DF30FC-40DS-0.4V(82)	24	-	11.5	24.4	30.4
DF30FC-34DS-0.4V(82)	16	-	7.5	16.4	22.4
DF30FC-30DS-0.4V(82)	16	-	7.5	16.4	22.4
DF30FC-24DS-0.4V(82)	16	-	7.5	16.4	22.4
DF30FC-22DS-0.4V(82)	16	-	7.5	16.4	22.4
DF30FC-20DS-0.4V(82)	16	-	7.5	16.4	22.4

CODE NO. (OLD)		DESIGNED	K. Nishida	CHECKED	K. Sasaki	APPROVED	J. Oka	RELEASED	
DRAWING NO.	EDC3-303556-05	DRAWN	T. NISHI	DATE	040825	DATE	04-08-25	DATE	04-08-25
SCALE	5 : 1	PART NO.	DF30FC-DS-0.4V(82)						
UNITS	mm	CODE NO.	CL684-***-82						



TO	
----	--

HRS DRAWING FOR REFERENCE

Looking for pricing, stock, or lifecycle information?

Click below to explore more details on WIN SOURCE:

[View DF30FC-60DS-0.4V\(82\) on WIN SOURCE](#)

[Hirose Electric Co Ltd Information](#)

Optimize Your Supply Chain with WIN SOURCE Solutions

- ✓ Global Sourcing Solution
- ✓ Obsolete Management
- ✓ Cost Control Management
- ✓ Shortage Management
- ✓ Alternative Solution
- ✓ Excess Inventory Management