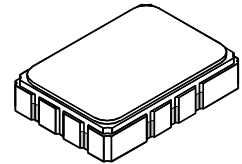




# SF2037B-2

## 76.500 MHz SAW Filter



SMP-03

- *Designed for SDARS IF Receiver*
- *Low Insertion Loss*
- *5.0 X 7.0 mm Surface-Mount Case*
- *Differential or Single Ended Input and Output*
- *Complies with Directive 20011/65/EU (RoHS)*



### Absolute Maximum Ratings

Rating	Value	Units
Maximum Incident Power in Passband	+10	dBm
Max. DC voltage between any 2 terminals	30	VDC
Storage Temperature Range (with tape & reel)	-40 to +85	°C
Storage Temperature Range (without tape & reel)	-50 to +125	°C
Max Soldering Profile	265°C for 10 s	

### Electrical Characteristics

Characteristic	Sym	Notes	Min	Typ	Max	Units		
Nominal Center Frequency	$f_c$	1	76.500			MHz		
Passband	Insertion Loss	IL		10.0	12.5	dB		
			1dB Passband	BW <sub>1</sub>	3.8	4.1	MHz	
			15dB Bandwidth	BW <sub>15</sub>		6.7	6.8	MHz
			30dB Bandwidth	BW <sub>30</sub>		7.7	7.8	MHz
			Amplitude Ripple over $f_c \pm 1.9$ MHz			0.5	1.10	dB <sub>p-p</sub>
Group Delay Variation over $f_c \pm 1.9$ MHz	GDV			65	150	ns <sub>p-p</sub>		
Rejection	50 to 70.44 MHz	1, 3		37	43	dB		
			70.44 to 72.04 MHz		34		43	
			81.26 to 82.56 MHz		38		49	
			82.56 to 86.50 MHz		39		48	
			86.5 to 91.50 MHz		41		48	
			91.50 to 100.000 MHz		45		58	
Operating Temperature Range	T <sub>A</sub>	1	-40		+105	°C		
Frequency Temperature Coefficient	FTC			-18		ppm/°C		
Differential Input	175 ohms							
Differential Output	1000 ohms							
Case Style	SMP-03 7 x 5 mm Nominal Footprint							
Lid Symbolization (YY=year, WW=week, S=shift) See note 4	RFM SF2037B-2 YYWWS							

### Electrical Connections

Connection	Terminals
Port 1 Hot	10
Port 1 Ground Return	1
Port 2 Hot	5
Port 2 Ground Return	6
Case Ground	All Others



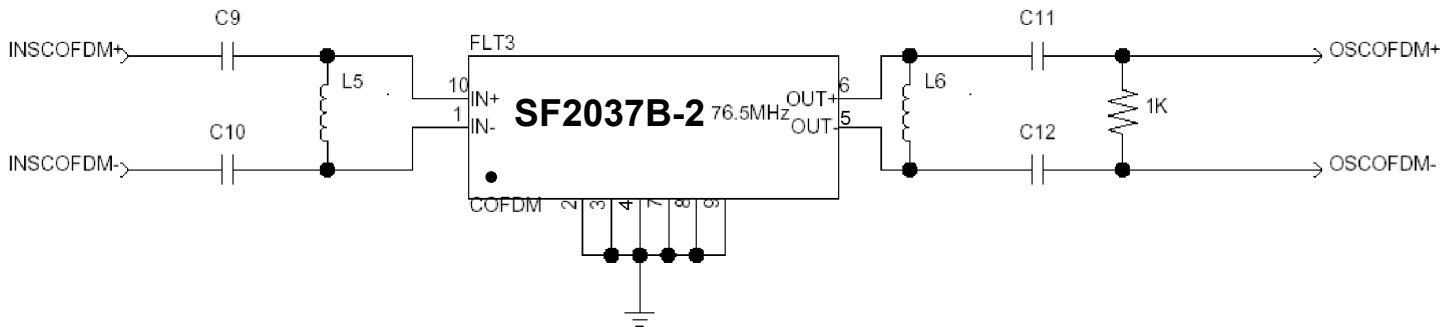
**CAUTION: Electrostatic Sensitive Device. Observe precautions for handling.**

**NOTES:**

1. Unless noted otherwise, all specifications apply over the operating temperature range with filter soldered to the specified demonstration board with impedance matching to 50 Ω and measured with 50 Ω network analyzer.
2. Unless noted otherwise, all frequency specifications are referenced to the nominal center frequency, fc.
3. Rejection is measured as attenuation below the minimum IL point in the passband. Rejection in final user application is dependent on PCB layout and external impedance matching design. See Application Note No. 42 for details.
4. "LRIP" or "L" after the part number indicates "low rate initial production" and "ENG" or "E" indicates "engineering prototypes."
5. The design, manufacturing process, and specifications of this filter are subject to change.
6. Tape and Reel Standard ANSI / EIA 481.
7. Either Port 1 or Port 2 may be used for either input or output in the design. However, impedances and impedance matching may vary between Port 1 and Port 2, so that the filter must always be installed in one direction per the circuit design.
8. US and international patents may apply.
9. Murata, stylized Murata logo, and Murata N.A., Inc. are registered trademarks of Murata Manufacturing Co., Ltd.

**Matching Circuit and Matching Component Values Used in G3 Sirius Radios**

(Refer to Sirius Radio G3 Chipset Application Note, Doc. #RX000104-B, Sec. 4.2.4)

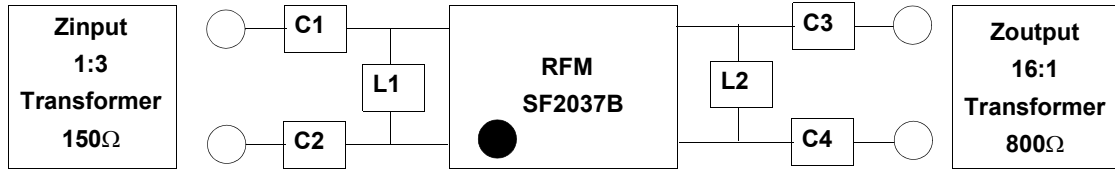


**COFDM Narrowband SAW Matching Circuit**

**COFDM Narrowband SAW Matching Values**

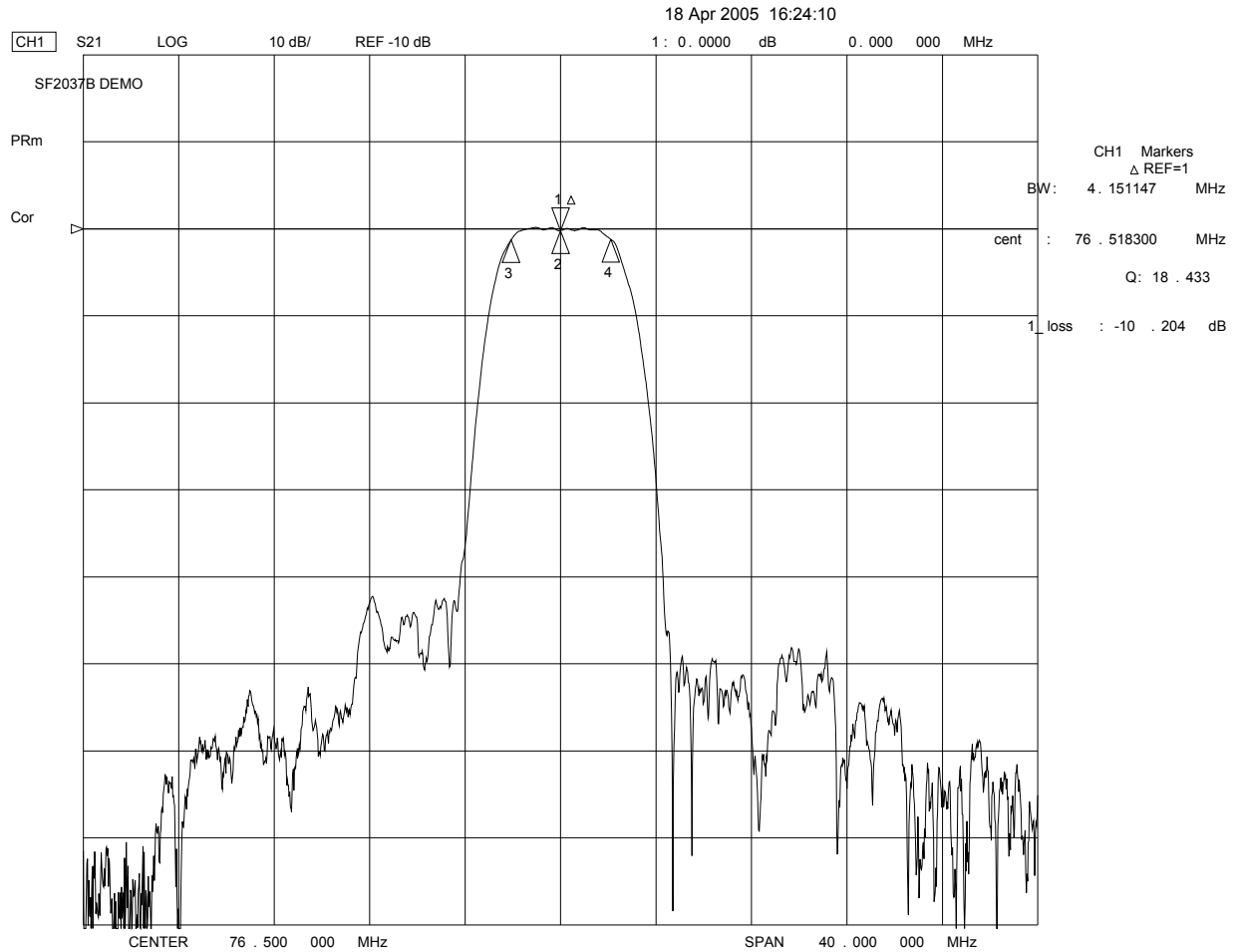
Reference Designator	Value
C9	10 pF
C10	10 pF
L5	270 nH
L6	390 nH
C11	100 pF
C12	100 pF

## Matching Circuit and Matching Component Values Used on Filter Demo Board

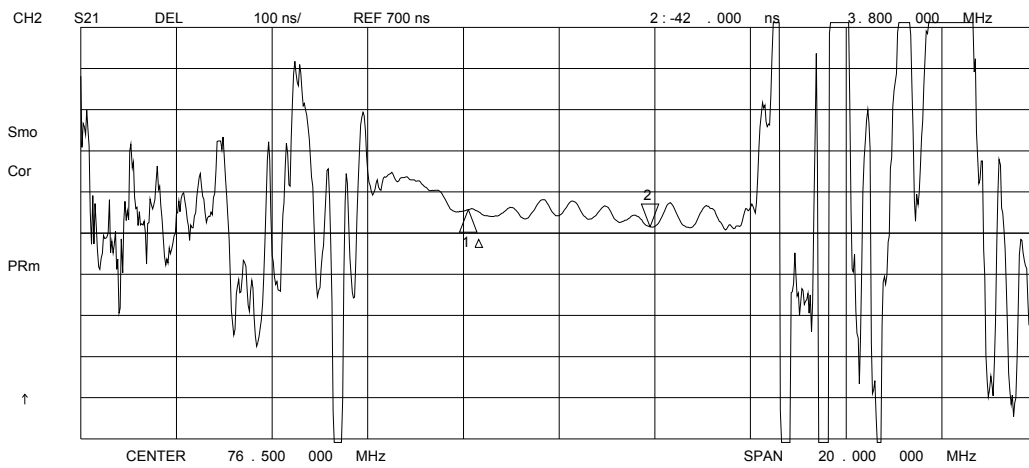
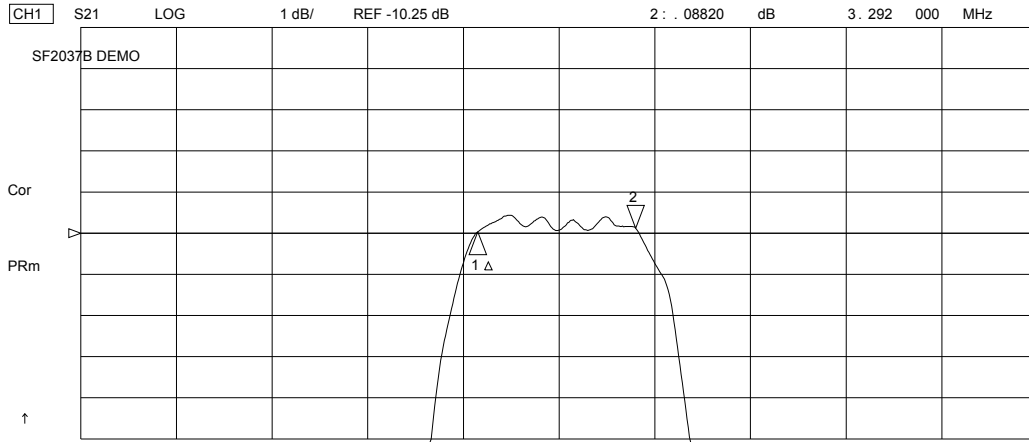


**SF2037B**  
**76.500 MHz**

**C1 = 9pF**  
**C2 = 9pF**  
**L1 = 270nH**  
**L2 = 330nH**  
**C3 = 18pF**  
**C4 = 18pF**



18 Apr 2005 16:18:31



18 Apr 2005 16:28:43

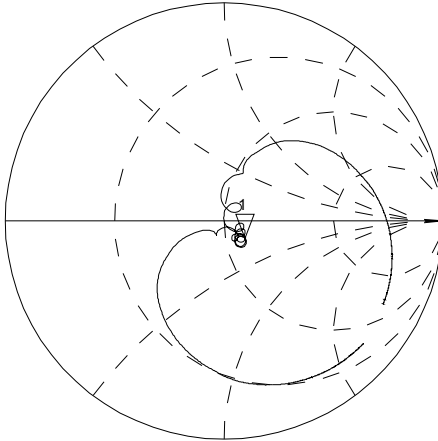
CH1 S11 1 U FS

1: 59.928 Ω -9.8086 Ω 212.11 pF 76.500 000 MHz

SF2037B DEMO

Cor

PRm

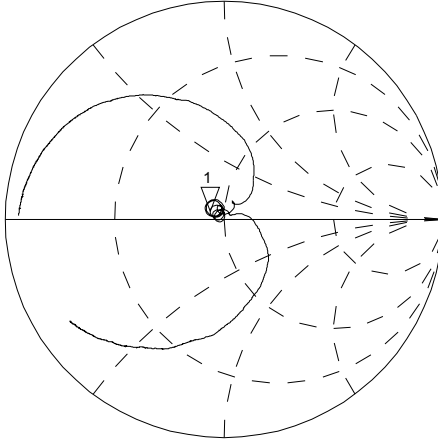


CH2 S22 1 U FS

1: 43.949 Ω 3.1992 Ω 6.6558 nH 76.500 000 MHz

Cor

PRm



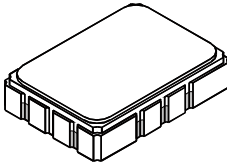
CENTER 76.500 000 MHz

SPAN 40.000 000 MHz

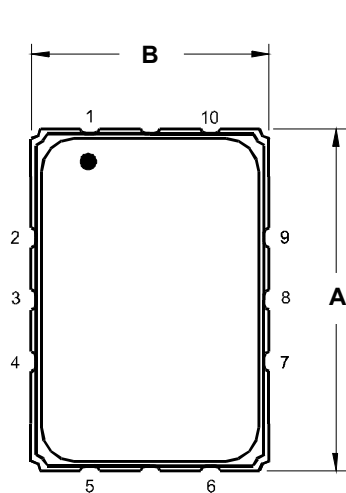
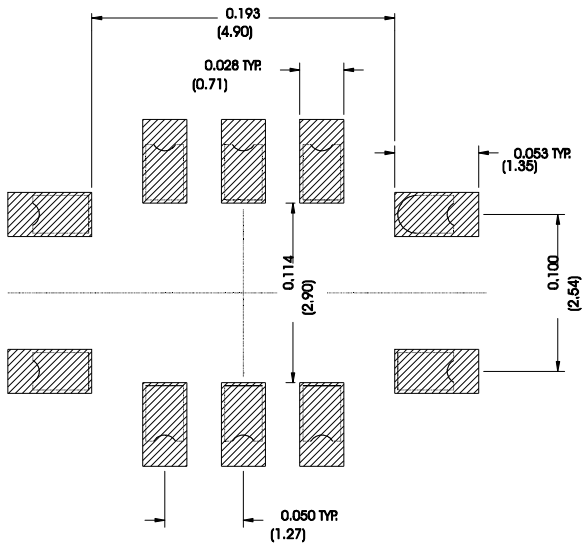
# SMP-03 Case

## 10-Terminal Ceramic Surface-Mount Case

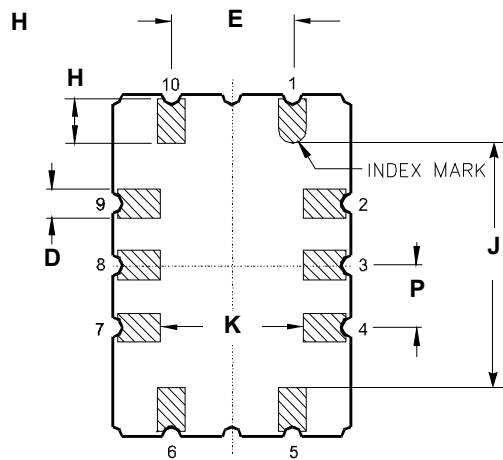
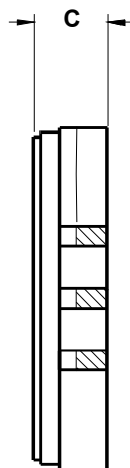
### 7 x 5 mm Nominal Footprint



Recommended PCB Footprint



TOP VIEW



BOTTOM VIEW

#### Case Dimensions

Dimension	mm			Inches		
	Min	Nom	Max	Min	Nom	Max
A	6.80	7.00	7.20	0.268	0.276	0.283
B	4.80	5.00	5.20	0.189	0.197	0.205
C		1.65	2.00		0.065	0.079
D	.47	0.60	.73	0.019	0.024	0.029
E	2.41	2.54	2.67	0.095	0.100	0.105
H	0.87	1.0	1.13	0.034	0.039	0.044
J	4.87	5.00	5.13	0.192	0.197	0.202
K	2.87	3.00	3.13	0.113	0.118	0.123
P	1.14	1.27	1.40	0.045	0.050	0.055

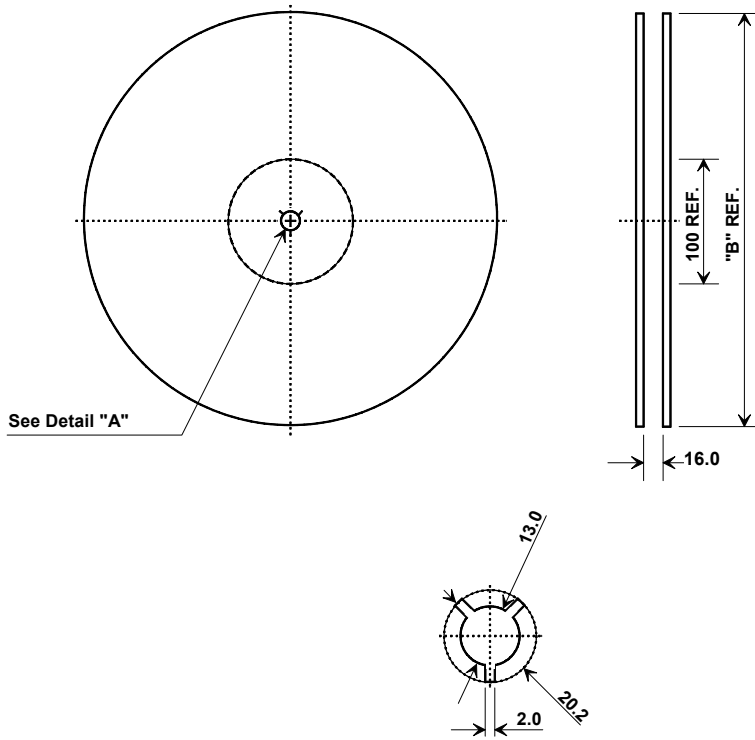
#### Materials

Solder Pad Termination	Au plating 30 - 60 ulnches (76.2-152 uM) over 80-200 ulnches (203-508 uM) Ni.
Lid	Fe-Ni-Co Alloy Electroless Nickel Plate (8-11% Phosphorus) 100-200 ulnches Thick
Body	Al <sub>2</sub> O <sub>3</sub> Ceramic
Pb Free	

#### Electrical Connections

Connection		Terminals
Port 1	Input or Return	10
	Return or Input	1
Port 2	Output or Return	5
	Return or Output	6
Ground		All others
Single Ended Operation		Return is ground
Differential Operation		Return is hot

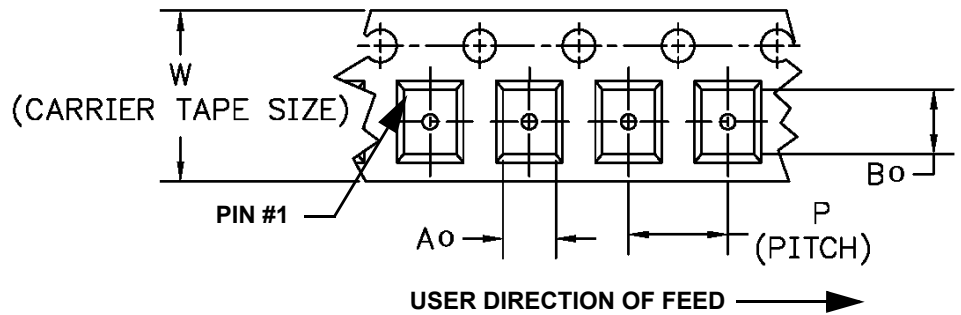
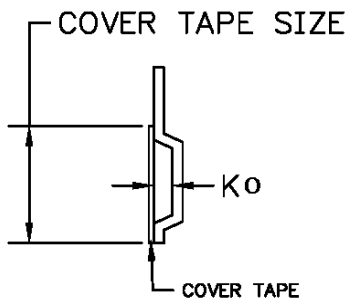
## Tape and Reel Specifications



"B" Nominal Size		Quantity Per Reel
Inches	millimeters	
7	178	500
13	330	2000

## COMPONENT ORIENTATION and DIMENSIONS

Carrier Tape Dimensions	
Ao	5.5 mm
Bo	7.5 mm
Ko	2.0 mm
Pitch	8.0 mm
W	16.0 mm



## Looking for pricing, stock, or lifecycle information?

Click below to explore more details on WIN SOURCE:

- ⊖ [View SF2037B-2 on WIN SOURCE](#)
- ⊖ [Murata Electronics North America Information](#)

## Optimize Your Supply Chain with WIN SOURCE Solutions

- ✓ Global Sourcing Solution
- ✓ Obsolete Management
- ✓ Cost Control Management
- ✓ Shortage Management
- ✓ Alternative Solution
- ✓ Excess Inventory Management