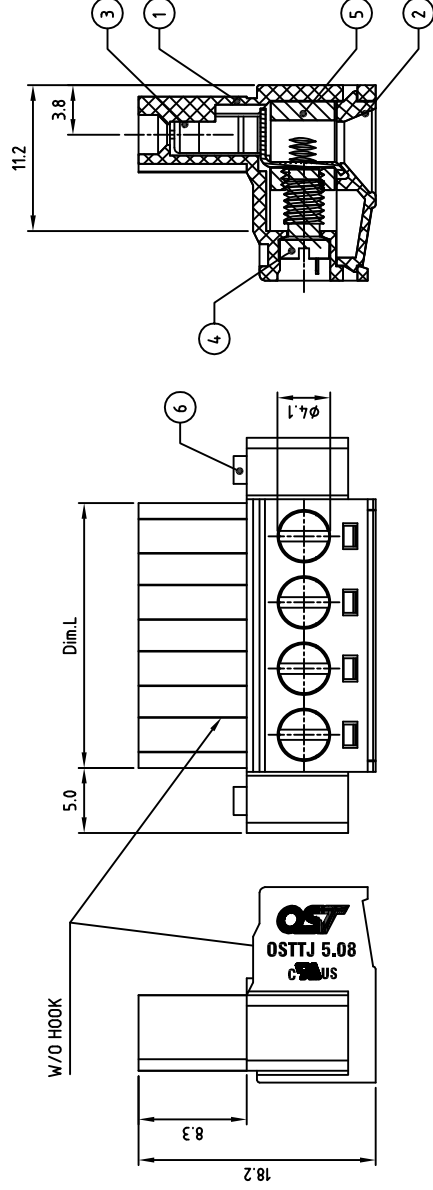
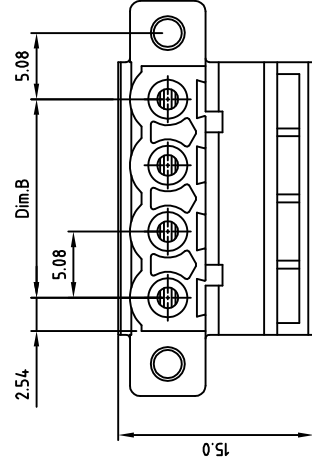




**THE DATASHEET OF
OSTTJ025152**



Transfer or duplication of this document as well as the utilisation or communication of its content are not permitted unless express consent is granted. Violations give rise to claims for damages. All rights reserved in case of patent, utility model or design patent registrations.



Technical

- 1.Nomin
- PITCH
- 2.Connec
- AWG
- 3.Insula
- AC 16
- 4.Insula
- 1000V
- 5.Tight
- 5.0kg
- 6.Screw
- 7.Strip
- 8.Oper
- 9.Undim

Dim.L	
Dim.n	
P= n	
0-30	over
over	over
over	over

- 10.Safet
- 11.ReHS

Part N

6	FLANGE SCREW	STEEL
5	CAGE	BRASS
4	SCREW	STEEL
3	WIRE GUARD	BRONZE (PhBz)
2	COVER	PA66 UL94V-0
1	BODY	PA66 UL94V-0
ITEM NAME OF PART		MAT
DWG	Marvin Zhang	DATE 2018.05.31
CHK	Marvin Zhang	DATE 2018.05.31
APP		DATE





ON-SHORE TECHNOLOGY, INC.

△	SIGN	DESCRIPTION	CHK.	DATE
---	------	-------------	------	------

Looking for pricing, stock, or lifecycle information?

Click below to explore more details on WIN SOURCE:

-  [View OSTTJ025152 on WIN SOURCE](#)
-  [On Shore Technology Inc. Information](#)

Optimize Your Supply Chain with WIN SOURCE Solutions

-  Global Sourcing Solution
-  Obsolete Management
-  Cost Control Management
-  Shortage Management
-  Alternative Solution
-  Excess Inventory Management