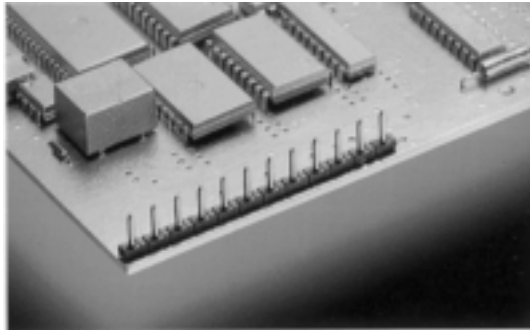




**THE DATASHEET OF
EDSTL130/09**



EDSTL130/X (5.0 mm) EDSTLZ130/X (5.08 mm)



2-24 poles, Spacing 5.0 mm or 5.08 mm
insert required no. of poles **x**
How to order see page 5



Ratings:

Rated Voltage	300 V	250 V
Rated Current	10 A	10 A (T55)
Rating Impulse Voltage/Dirt Level		4 kV/3

Dimensions

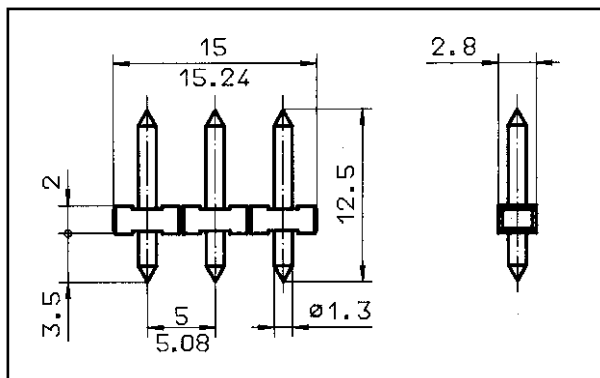
Spacing	5.0 mm (5.08 mm)
PCB Hole Diameter	1.5 mm

Materials

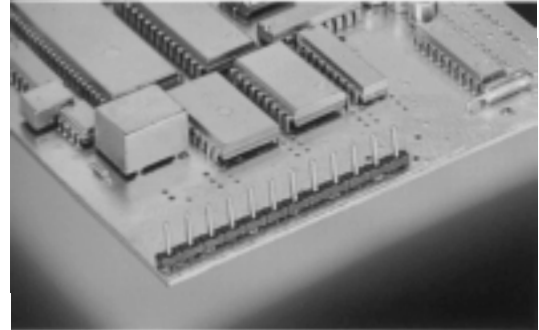
Insulating Material	PA
Flammability Class	UL94 V-0
Temperature Range	-30°C/+105°C
Contact Pin	CuZn

Color

Black



EDSTL132/X



2-24 poles, Spacing 5.0 mm
insert required no. of poles **x**
How to order see page 5



Ratings:

Rated Voltage	300 V	250 V
Rated Current	10 A	10 A (T55)
Rating Impulse Voltage/Dirt Level		4 kV/3

Dimensions

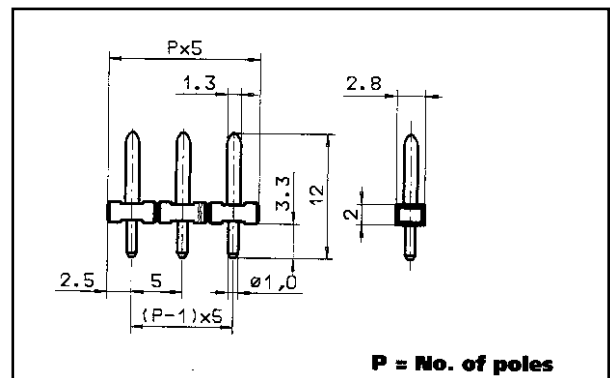
Spacing	5.0 mm
PCB Hole Diameter	1.2 mm

Materials

Insulating Material	PA
Flammability Class	UL94 V-0
Temperature Range	-30°C/+105°C
Contact Pin	CuZn

Color



Black



P = No. of poles

Looking for pricing, stock, or lifecycle information?

Click below to explore more details on WIN SOURCE:

-  [View EDSTL130/09 on WIN SOURCE](#)
-  [On Shore Technology Inc. Information](#)

Optimize Your Supply Chain with WIN SOURCE Solutions

-  Global Sourcing Solution
-  Obsolete Management
-  Cost Control Management
-  Shortage Management
-  Alternative Solution
-  Excess Inventory Management