



THE DATASHEET OF TBS1T2A1MZRES

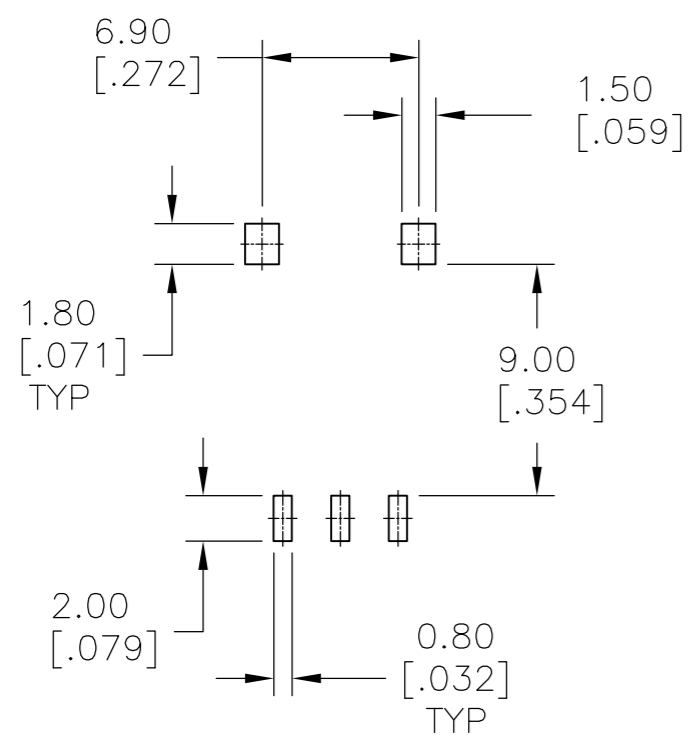
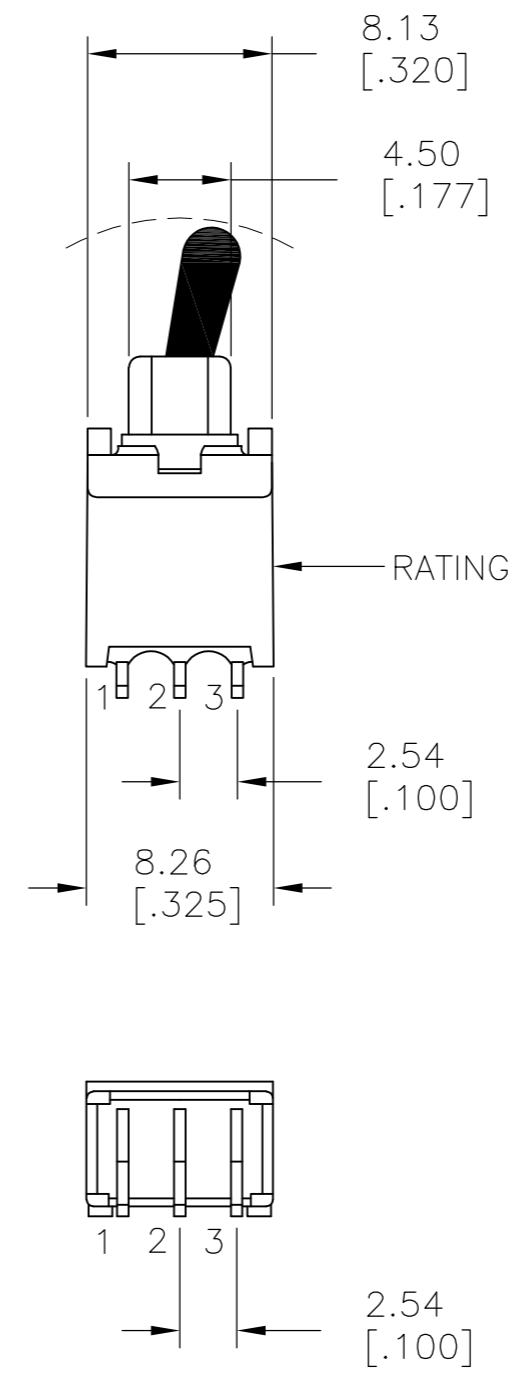
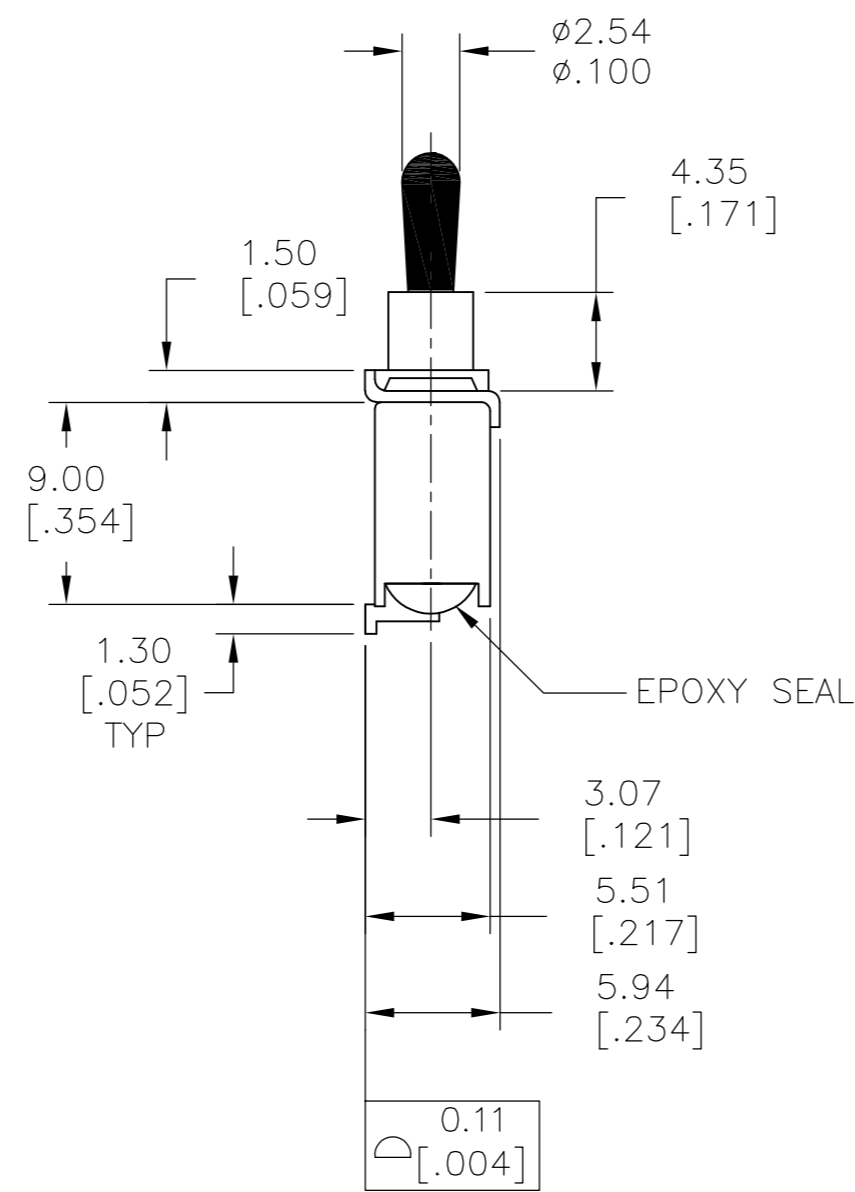
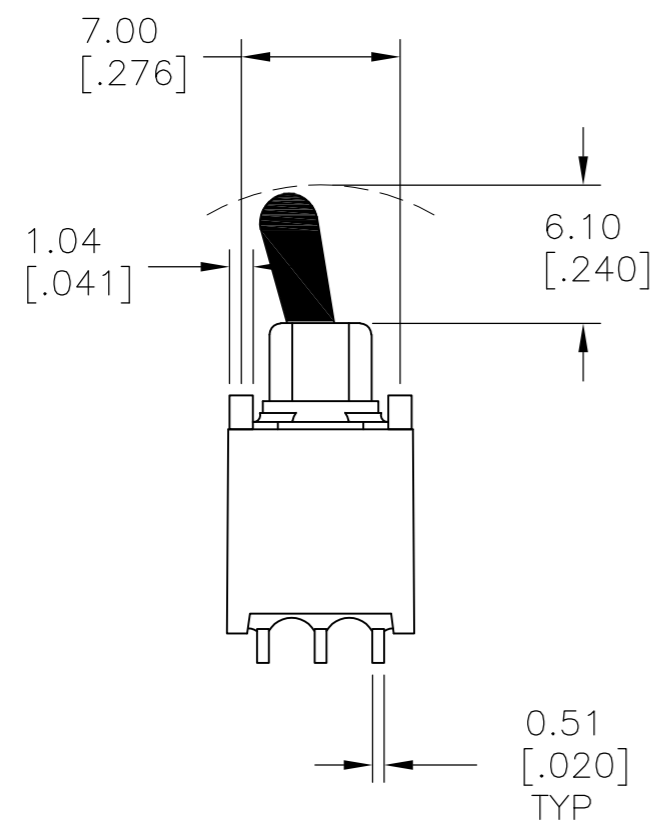


THIS DRAWING IS UNPUBLISHED. RELEASED FOR PUBLICATION
 © COPYRIGHT - By - ALL RIGHTS RESERVED.

LOC	DIST	REVISIONS					
		P	LTR	DESCRIPTION	DATE	DWN	APVD
G	14	A1		REVISED PER ECO-15-006065	22APR2015	NK	RH

SPECIFICATIONS

MECHANICAL LIFE: 30,000 MAKE AND BREAK CYCLES.
 CONTACT RESISTANCE: 20 mΩ MAX. INITIAL @ 2-4VDC
 100mA FOR GOLD PLATED CONTACTS.
 INSULATION RESISTANCE: 1,000MΩ MIN.
 DIELECTRIC STRENGTH: 1,000V RMS MIN @SEA LEVEL.
 OPERATING TEMPERATURE: -30°C TO 85°C.
 CONTACT RATING: 0.4VA MAX @ 20V MAX (AC OR DC)



P.C. MOUNTING

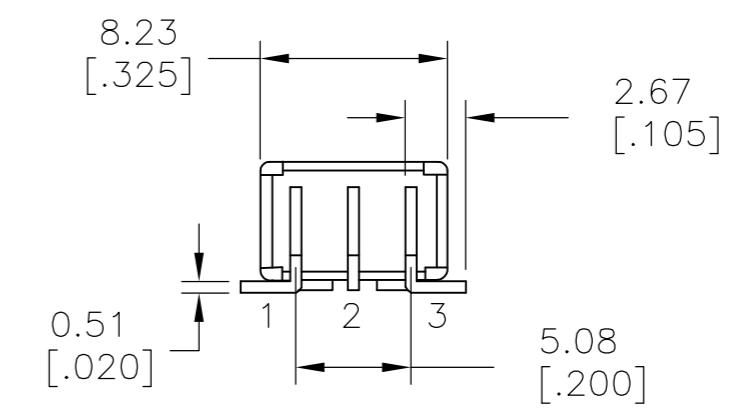
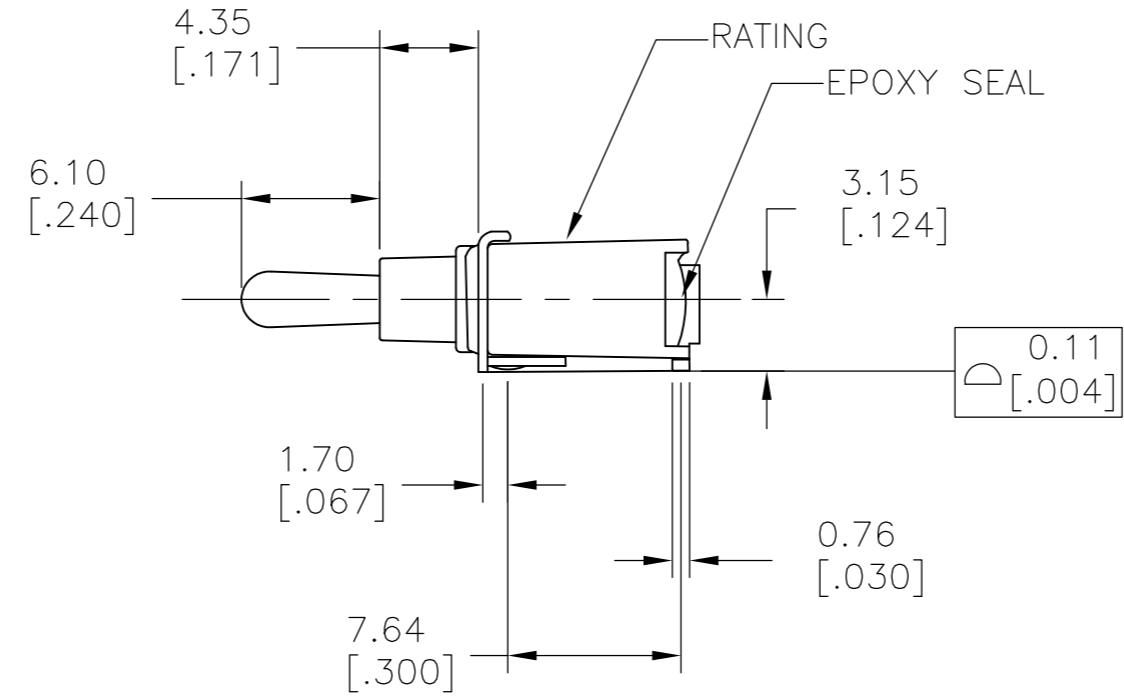
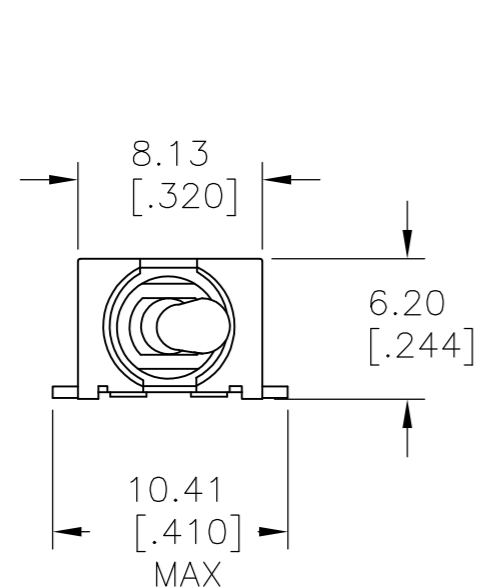
VERTICAL LAYOUT

VERTICAL, SMT	PLASTIC	2-1	2-3	(ON)-ON	2	1	TBS2TBA1MZRES	2267131-6
RIGHT ANGLE, SMT	BRASS	2-1	2-3	(ON)-ON	2	1	TBS2T2A1MTRES	2267131-5
VERTICAL, SMT	PLASTIC	2-1	2-3	ON-ON	2	1	TBS1TBA1MZRES	2267131-4
RIGHT ANGLE, SMT	PLASTIC	2-1	2-3	ON-ON	2	1	TBS1TBA1MTRES	2267131-3
VERTICAL, SMT	BRASS	2-1	2-3	ON-ON	2	1	TBS1T2A1MZRES	2267131-2
RIGHT ANGLE, SMT	BRASS	2-1	2-3	ON-ON	2	1	TBS1T2A1MTRES	2267131-1
TERMINATION	ACTUATOR	POS 2	POS 1	FUNCTION	THROWS	POLES	TE DESCRIPTIVE PART NUMBER	TE PART NUMBER

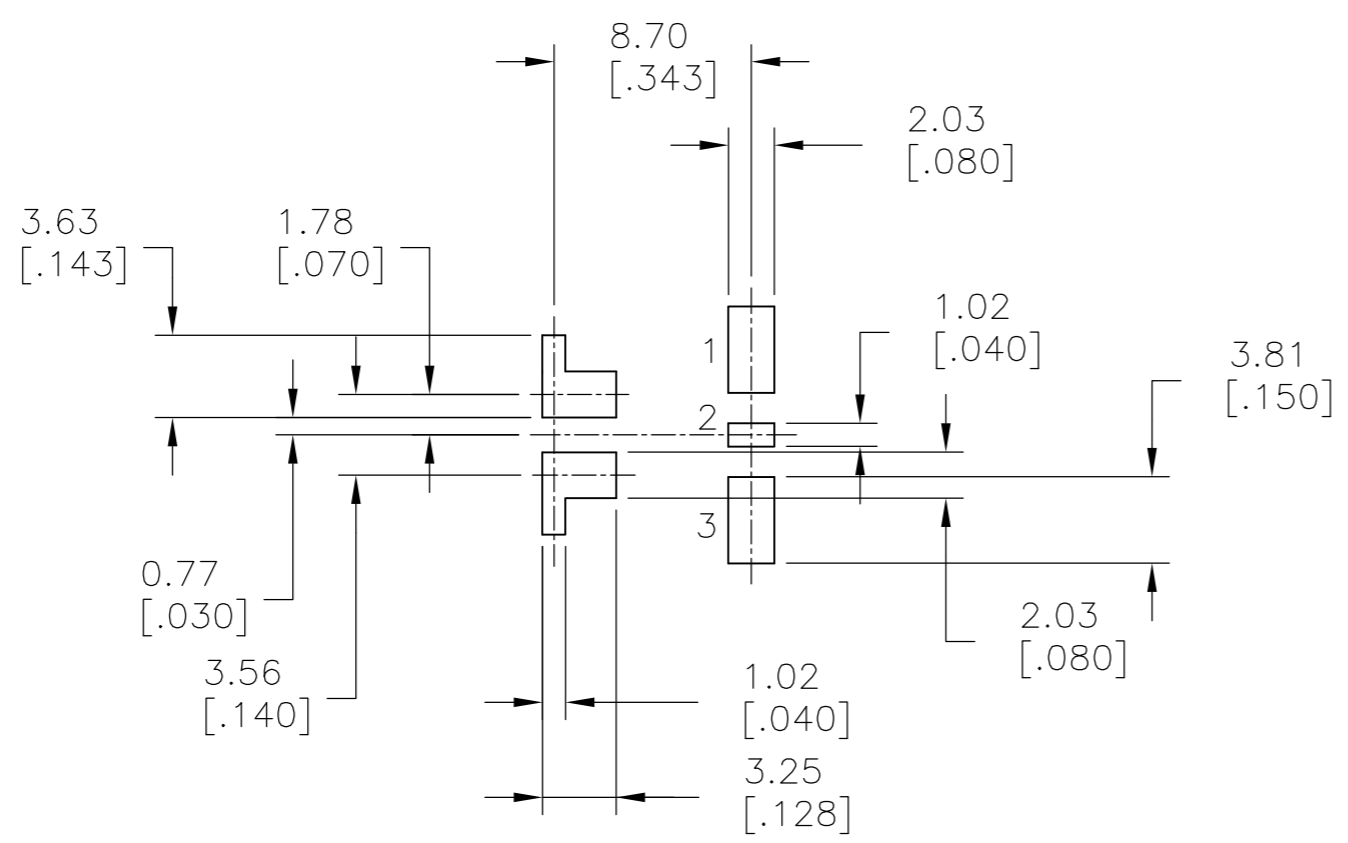
THIS DRAWING IS A CONTROLLED DOCUMENT.		DWN 20JUN2014 NAGALAKSHMI K		
DIMENSIONS: mm [INCHES]		CHK 20JUN2014 HILL RYAN		
TOLERANCES UNLESS OTHERWISE SPECIFIED:		APVD 20JUN2014 HILL RYAN	NAME	
0 PLC ± -		PRODUCT SPEC	SUBMINIATURE TOGGLE SWITCH, SEALED, SMT	
1 PLC ± 0.40[.015]		APPLICATION SPEC	SIZE	CAGE CODE
2 PLC ± 0.25[.010]		WEIGHT	A2	-
3 PLC ± -		CUSTOMER DRAWING	SCALE	DRAWING NO
4 PLC ± -		SCALE	1:1	C=2267131
ANGLES ± 5°		SHEET	1 OF 2	REV A1
FINISH		RESTRICTED TO	-	

THIS DRAWING IS UNPUBLISHED. RELEASED FOR PUBLICATION
 © COPYRIGHT - By - ALL RIGHTS RESERVED.

LOC		DIST		REVISIONS			
P	LTR	DESCRIPTION		DATE	DWN	APVD	
G	14	SEE SHEET 1		-	-	-	



RIGHT ANGLE LAYOUT



P.C. MOUNTING

THIS DRAWING IS A CONTROLLED DOCUMENT.		DWN	20JUN2014		TE Connectivity		
DIMENSIONS: mm [INCHES]		CHK	20JUN2014		NAME		
TOLERANCES UNLESS OTHERWISE SPECIFIED:		HILL RYAN			SUBMINIATURE TOGGLE SWITCH, SEALED, SMT		
0 PLC ± - 1 PLC ± 0.40[.015] 2 PLC ± 0.25[.010] 3 PLC ± - 4 PLC ± - ANGLES ± 5°		APVD	20JUN2014		SIZE	CAGE CODE	DRAWING NO
MATERIAL		HILL RYAN		A2	-	C=2267131	
FINISH		PRODUCT SPEC		SCALE		1:1	
		APPLICATION SPEC		SHEET		2 OF 2	
		WEIGHT		REV		A1	
		CUSTOMER DRAWING					

Looking for pricing, stock, or lifecycle information?

Click below to explore more details on WIN SOURCE:

 [View TBS1T2A1MZRES on WIN SOURCE](#)

 [TE Connectivity](#) Information

Optimize Your Supply Chain with WIN SOURCE Solutions

-  Global Sourcing Solution
-  Obsolete Management
-  Cost Control Management
-  Shortage Management
-  Alternative Solution
-  Excess Inventory Management