

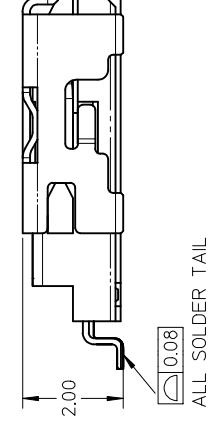
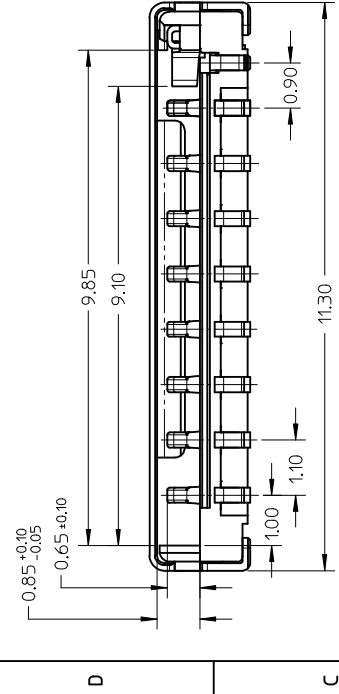
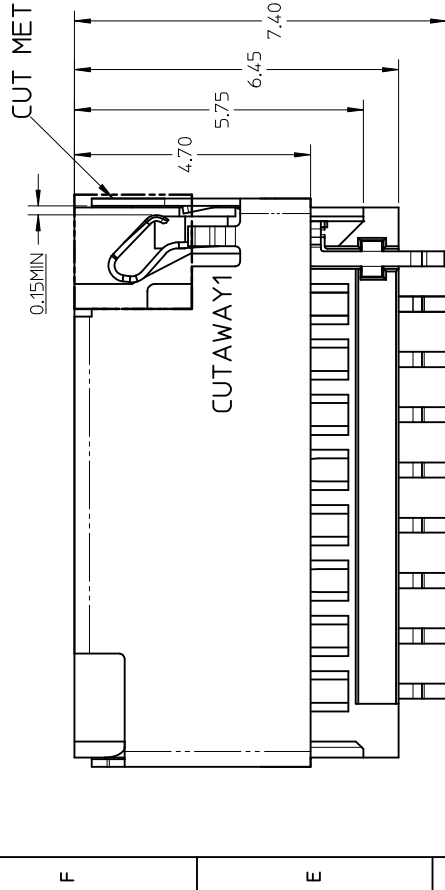
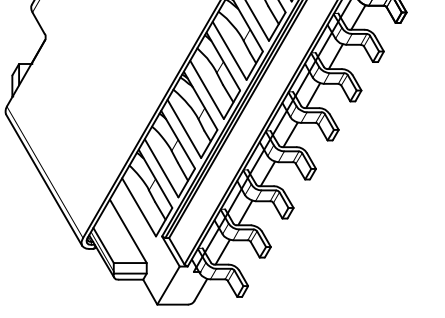


THE DATASHEET OF
1051490101



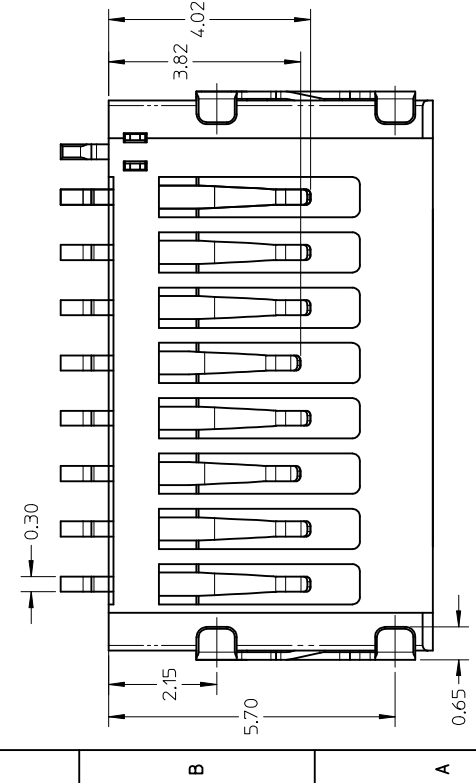
10 9 8 7 6 5 4 3

CUT METAL SHELL AWAY



NOTES:

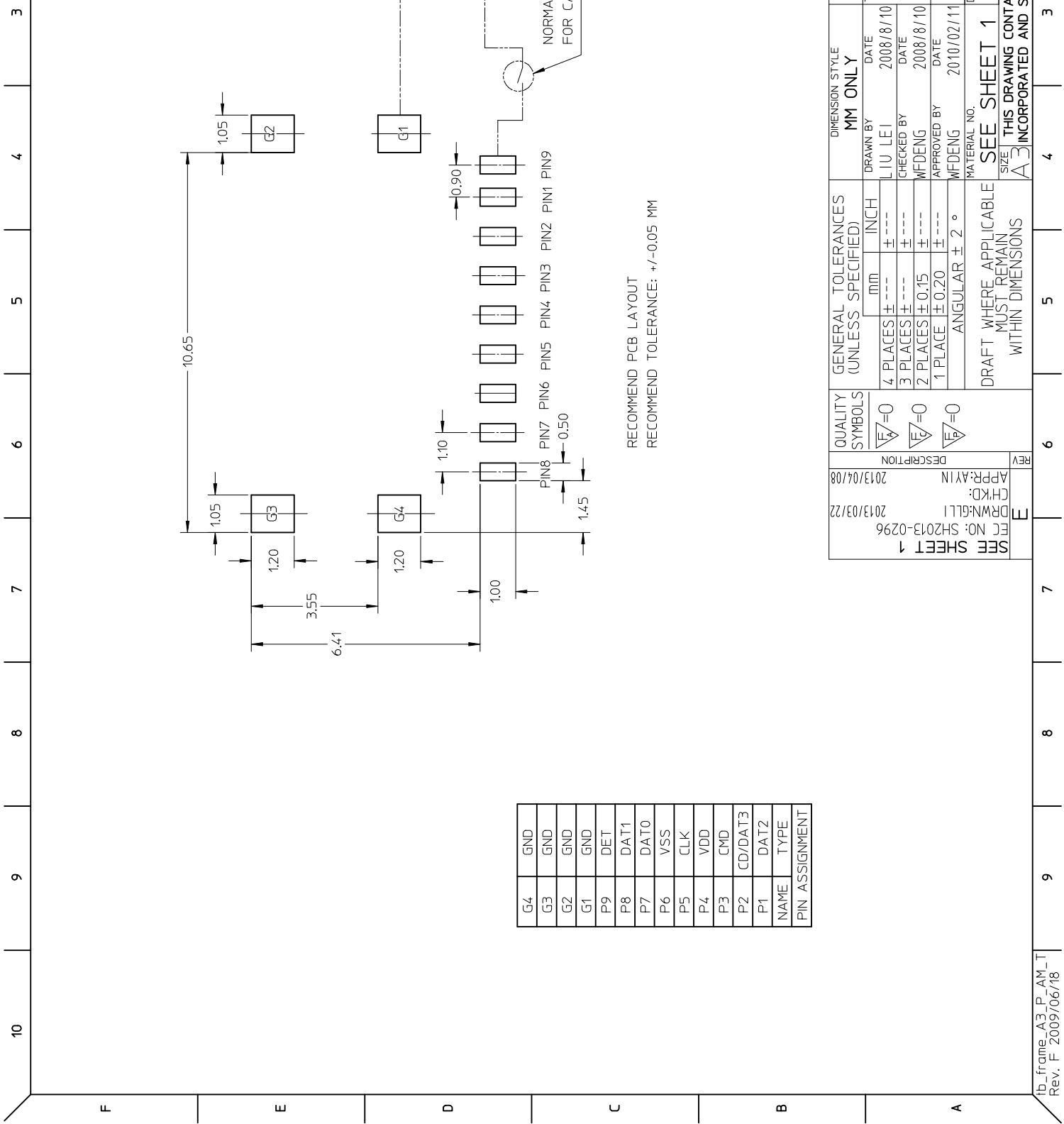
1. MATERIAL:
 - 1-1 HOUSING: HIGH TEMPERATURE T
 - 1-2 SIGNAL TERMINAL AND DETECT
 - 1-3 METAL SHELL: STAINLESS STE
2. FINISH:
 - 2-1 SIGNAL TERMINAL: 1.25 MICRON CONTACT AREA SEE TABLE G
 - 2-2 METAL SHELL: GOLD FLASH PLATING
 - 2-3 DETECT PIN: 1.25 MICRON NICKEL 0.38 MICRON MIN GOLD PLATING
3. PRODUCT SPECIFICATION: PS-10507 GOLD FLASH ON SOLDER AREA
4. PACKAGE SPECIFICATION: PK-10507
5. PRODUCT COMPLIANT TO RoHS DIR



105149-0101	0.38 MIC
105149-0001	0.76 MIC
105149-1001	0.1 MICR
P/N	CONT

REV	DESCRIPTION	QUALITY SYMBOLS	GENERAL TOLERANCES (UNLESS SPECIFIED)	DIMENSION STYLE	SCALE
3	REVISD EC NO: SH2013-0296 DRW:GLL CHKD: APPR:AYIN 2013/04/08	$\nabla F=0$ $\nabla E=0$ $\nabla A=0$	4 PLACES ± --- ± --- INCH 3 PLACES ± --- ± --- 2 PLACES ± 0.15 ± --- 1 PLACE ± 0.20 ± --- ANGULAR ± 2 °	MM ONLY	1:1
				DRAWN BY LIU LEI	DATE 2008/8/10
				CHECKED BY WFDENG	DATE 2008/8/10
				APPROVED BY WFDENG	DATE 2010/02/11
				MATERIAL NO.	DOCUMENT NO.
				SEE TABLE	
				THIS DRAWING CONTAINS INFORMATION INCORPORATED AND SHOULD BE INCORPORATED AND SHOULD	

10 9 8 7 6 5 4 3



G4	GND
G3	GND
G2	GND
G1	GND
P9	DET
P8	DAT1
P7	DAT0
P6	VSS
P5	CLK
P4	VDD
P3	CMD
P2	CD/DAT3
P1	DAT2
NAME	TYPE
PIN ASSIGNMENT	

RECOMMEND PCB LAYOUT
 RECOMMEND TOLERANCE: +/-0.05 MM

QUALITY SYMBOLS $\nabla F=0$ $\nabla F=0$ $\nabla F=0$	GENERAL TOLERANCES (UNLESS SPECIFIED)		DIMENSION STYLE	
	mm	INCH	MM ONLY	1:
	4 PLACES ± ---	± ---	DRAWN BY	DATE
	3 PLACES ± ---	± ---	LIU LEI	2008/8/10
2 PLACES ± 0.15	± ---	CHECKED BY	DATE	
1 PLACE ± 0.20	± ---	WFDENG	2008/8/10	
	ANGULAR ± 2 °	APPROVED BY	DATE	
		WFDENG	2010/02/11	
DRAFT WHERE APPLICABLE MUST REMAIN WITHIN DIMENSIONS		MATERIAL NO.	DOCUMENT	
SEE SHEET 1		SEE SHEET 1		
THIS DRAWING CONTAINS IF		INCORPORATED AND SHOULD		
SIZE A3				

REV	DESCRIPTION
1	APP:AYIN 2013/04/08
	CHKD:
	DRW:GLLI 2013/03/22
	EC NO: SH2013-0296
	SEE SHEET 1

Looking for pricing, stock, or lifecycle information?

Click below to explore more details on WIN SOURCE:

 [View 1051490101 on WIN SOURCE](#)

 [Molex, LLC Information](#)

Optimize Your Supply Chain with WIN SOURCE Solutions

-  Global Sourcing Solution
-  Obsolete Management
-  Cost Control Management
-  Shortage Management
-  Alternative Solution
-  Excess Inventory Management