



**THE DATASHEET OF
LMS1487CMX/NOPB**



LMS1487

LMS1487 5V Low Power RS-485 / RS-422 Differential Bus Transceiver



Literature Number: SNOSA34E

5V Low Power RS-485 / RS-422 Differential Bus Transceiver

General Description

The LMS1487 is a low power differential bus/line transceiver designed for high speed bidirectional data communication on multipoint bus transmission lines. It is designed for balanced transmission lines. It meets ANSI Standards TIA/EIA RS422-B, TIA/EIA RS485-A and ITU recommendation and V.11 and X.27. The LMS1487 combines a TRI-STATE® differential line driver and differential input receiver, both of which operate from a single 5.0V power supply. The driver and receiver have an active high and active low, respectively, that can be externally connected to function as a direction control. The driver and receiver differential inputs are internally connected to form differential input/output (I/O) bus ports that are designed to offer minimum loading to bus whenever the driver is disabled or when $V_{CC} = 0V$. These ports feature wide positive and negative common mode voltage ranges, making the device suitable for multipoint applications in noisy environments. The LMS1487 is available in a 8-Pin SOIC and 8-pin DIP packages. It is a drop-in socket replacement to Maxim's MAX1487

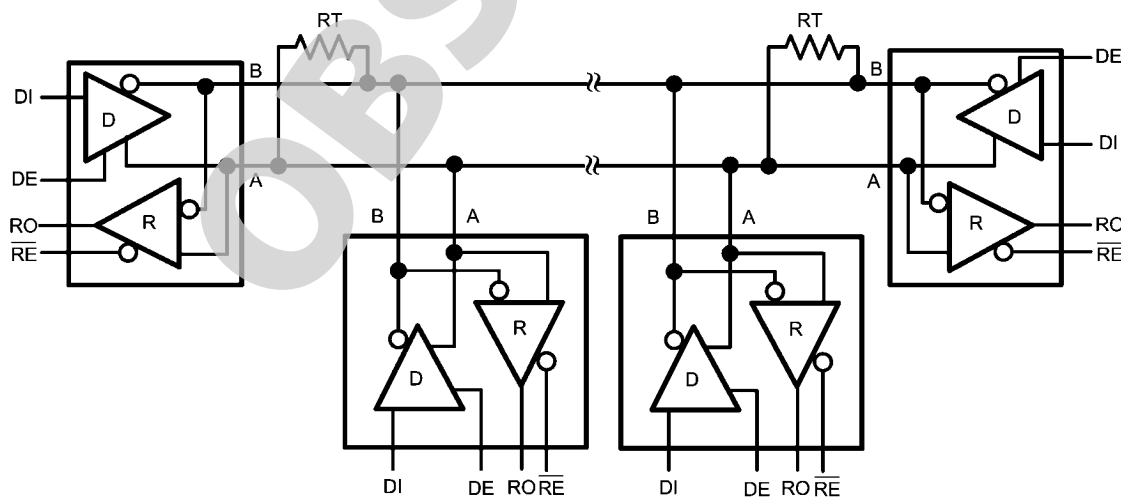
Features

- Meet ANSI standard RS-485-A and RS-422-B
- Data rate 2.5 Mbps
- Single supply voltage operation, 5V
- Wide input and output voltage range
- Thermal shutdown protection
- Short circuit protection
- Low quiescent current 320 μ A
- Allows up to 128 transceivers on the bus
- Open circuit fail-safe for receiver
- Extended operating temperature range $-40^{\circ}C$ to $85^{\circ}C$
- Drop-in replacement to MAX1487
- Available in 8-pin SOIC and 8-pin DIP package

Applications

- Low power RS-485 systems
- Network hubs, bridges, and routers
- Point of sales equipment (ATM, barcode scanners,...)
- Local area networks (LAN)
- Integrated service digital network (ISDN)
- Industrial programmable logic controllers
- High speed parallel and serial applications
- Multipoint applications with noisy environment

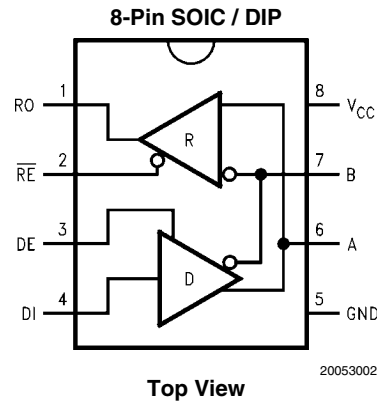
Typical Application



20053001

A Typical multipoint application is shown in the above figure. Terminating resistors, RT, are typically required but only located at the two ends of the cable. Pull up and pull down resistors maybe required at the end of the bus to provide fail-safe biasing. The biasing resistors provide a bias to the cable when all drivers are in TRI-STATE, See National Application Note, AN-847 for further information.

Connection Diagram



Truth Table

DRIVER SECTION				
\overline{RE}	DE	DI	A	B
X	H	H	H	L
X	H	L	L	H
X	L	X	Z	Z
RECEIVER SECTION				
\overline{RE}	DE	A-B	RO	
L	L	$\geq +0.2V$	H	
L	L	$\leq -0.2V$	L	
H	X	X	Z	
L	L	OPEN *	H	

Note: * = Non Terminated, Open Input only

X = Irrelevant
 Z = TRI-STATE
 H = High level
 L = Low level

Pin Descriptions

Pin #	I/O	Name	Function
1	O	RO	Receiver Output: If $A > B$ by 200 mV, RO will be high; If $A < B$ by 200mV, RO will be low. RO will be high also if the inputs (A and B) are open (non-terminated)
2	I	\overline{RE}	Receiver Output Enable: RO is enabled when \overline{RE} is low; RO is in TRI-STATE when \overline{RE} is high
3	I	DE	Driver Output Enable: The driver outputs (A and B) are enabled when DE is high; they are in TRI-STATE when DE is low. Pins A and B also function as the receiver input pins (see below)
4	I	DI	Driver Input: A low on DI forces A low and B high while a high on DI forces A high and B low when the driver is enabled
5	N/A	GND	Ground
6	I/O	A	Non-inverting Driver Output and Receiver Input pin. Driver Output levels conform to RS-485 signaling levels
7	I/O	B	Inverting Driver Output and Receiver Input pin. Driver Output levels conform to RS-485 signaling levels
8	N/A	V_{CC}	Power Supply: $4.75V \leq V_{CC} \leq 5.25V$

Ordering Information

Package	Part Number	Package Marking	Transport Media	NSC Drawing
8-Pin SOIC	LMS1487CM	LMS1487CM	95 Units/Rail	M08A
	LMS1487CMX		2.5k Units Tape and Reel	
	LMS1487IM	LMS1487IM	95 Units/Rail	
	LMS1487IMX		2.5k Units Tape and Reel	
8-Pin DIP	LMS1487CNA	LMS1487CNA	40 Units/Rail	N08E
	LMS1487INA	LMS1487INA	40 Units/Rail	

OBSOLETE

Absolute Maximum Ratings *(Note 1)*

If Military/Aerospace specified devices are required, please contact the National Semiconductor Sales Office/ Distributors for availability and specifications.

Supply Voltage, V_{CC} <i>(Note 2)</i>	7V
Input Voltage, V_{IN} (DI, DE, or \overline{RE})	-0.3V to $V_{CC} + 0.3V$
Voltage Range at Any Bus Terminal (AB)	-7V to 12V
Receiver Outputs	-0.3V to $V_{CC} + 0.3V$
Package Thermal Impedance, θ_{JA}	
SOIC	125°C/W
DIP	88°C/W
Junction Temperature <i>(Note 3)</i>	150°C
Operating Free-Air Temperature Range, T_A	
Commercial	0°C to 70°C
Industrial	-40°C to 85°C
Storage Temperature Range	-65°C to 150°C
Soldering Information	
Infrared or Convection (20 sec.)	235°C

Lead Temperature	260°C
ESD Rating <i>(Note 4)</i>	7kV

Operating Ratings

	Min	Nom	Max	
Supply Voltage, V_{CC}	4.75	5.0	5.25	V
Voltage at any Bus Terminal (Separately or Common Mode) V_{IN} or V_{IC}	-7		12	V
High-Level Input Voltage, V_{IH} <i>(Note 5)</i>	2			V
Low-Level Input Voltage, V_{IL} <i>(Note 5)</i>			0.8	V
Differential Input Voltage, V_{ID} <i>(Note 6)</i>			±12	V
High-Level Output Driver, I_{OH}			-15	mA
			0	
Receiver, I_{OH}			-42	mA
Low-Level Output Driver, I_{OL}			80	mA
Receiver, I_{OL}			26	mA

Electrical Characteristics

Over recommended ranges of supply voltage and operating free-air temperature (unless otherwise noted)

Symbol	Parameter	Conditions	Min	Typ	Max	Units
Driver Section						
$ V_{OD1} $	Differential Output Voltage	$R = \infty$ <i>(Figure 1)</i>			5.25	V
$ V_{OD2} $	Differential Output Voltage	$R = 50\Omega$ <i>(Figure 1)</i> , RS-422	2.0			V
		$R = 27\Omega$ <i>(Figure 1)</i> , RS-485	1.5		5.0	
ΔV_{OD}	Change in Magnitude of Driver Differential Output Voltage for Complementary Output States	$R = 27\Omega$ or 50Ω <i>(Figure 1)</i> , <i>(Note 7)</i>			0.2	V
V_{OC}	Common-Mode Output Voltage	$R = 27\Omega$ or 50Ω <i>(Figure 1)</i>			3.0	V
ΔV_{OC}	Change in Magnitude of Driver Common-Mode Output Voltage for Complementary Output States	$R = 27\Omega$ or 50Ω <i>(Figure 1)</i> , <i>(Note 7)</i>			0.2	V
V_{IH}	CMOS Input Logic Threshold High	DE, DI, \overline{RE}	2.0			V
V_{IL}	CMOS Input Logic Threshold Low	DE, DI, \overline{RE}			0.8	V
I_{IN1}	Logic Input Current	DE, DI, \overline{RE}			±2	μA
Receiver Section						
I_{IN2}	Input Current (A, B)	DE = 0V, $V_{CC} = 0V$ or 5.25V $V_{IN} = 12V$			0.25	mA
		$V_{IN} = -7V$			-0.2	
V_{TH}	Differential Input Threshold Voltage	$-7V \leq V_{CM} \leq +12V$	-0.2		+0.2	V
ΔV_{TH}	Input Hysteresis Voltage ($V_{TH+} - V_{TH-}$)	$V_{CM} = 0$		95		mV
V_{OH}	CMOS High-level Output Voltage	$I_{OH} = -4mA$, $V_{ID} = 200mV$	3.5			V
V_{OL}	CMOS Low-level	$I_{OL} = 4mA$, $V_{ID} = -200mV$			0.40	V

Symbol	Parameter	Conditions	Min	Typ	Max	Units
I_{OZR}	Tristate Output Leakage Current	$0.4V \leq V_O \leq +2.4V$			± 1	μA
R_{IN}	Input Resistance	$-7V \leq V_{CM} \leq +12V$	48			$k\Omega$
Power Supply Current						
I_{CC}	Supply Current	$DE = V_{CC}, \overline{RE} = GND \text{ or } V_{CC}$		320	500	μA
		$DE = 0V, \overline{RE} = GND \text{ or } V_{CC}$		315	400	
I_{OSD1}	Driver Short-circuit Output Current	$V_O = \text{high}, -7V \leq V_{CM} \leq +12V$ (Note 8)	35		250	mA
I_{OSD2}	Driver Short-circuit Output Current	$V_O = \text{low}, -7V \leq V_{CM} \leq +12V$ (Note 8)	35		250	mA
I_{OSR}	Receiver Short-circuit Output Current	$0V \leq V_O \leq V_{CC}$	7		95	mA
Switching Characteristics						
Driver						
$T_{PLH},$ T_{PHL}	Propagation Delay Input to Output	$R_L = 54\Omega, C_L = 100pF$ (Figure 3, Figure 7)	10	35	60	nS
T_{SKEW}	Driver Output Skew	$R_L = 54\Omega, C_L = 100 pF$ (Figure 3, Figure 7)		5	10	nS
$T_R,$ T_F	Driver Rise and Fall Time	$R_L = 54\Omega, C_L = 100 pF$ (Figure 3, Figure 7)	3	8	40	nS
$T_{ZH},$ T_{ZL}	Driver Enable to Output Valid Time	$C_L = 100 pF, R_L = 500\Omega$ (Figure 4, Figure 8)		25	70	nS
$T_{HZ},$ T_{LZ}	Driver Output Disable Time	$C_L = 15 pF, R_L = 500\Omega$ (Figure 4, Figure 8)		30	70	nS
Receiver						
$T_{PLH},$ T_{PHL}	Propagation Delay Input to Output	$R_L = 54\Omega, C_L = 100 pF$ (Figure 5, Figure 7)	20	50	200	nS
T_{SKEW}	Receiver Output Skew	$R_L = 54\Omega, C_L = 100 pF$ (Figure 5, Figure 7)		5		nS
$T_{ZH},$ T_{ZL}	Receiver Enable Time	$C_L = 15 pF, R_L = 1 k\Omega$ (Figure 6, Figure 10)		20	50	nS
	Receiver Disable Time			20	50	nS
F_{MAX}	Maximum Data Rate		2.5			$Mbps$

Note 1: Absolute Maximum Ratings indicate limits beyond which damage to the device may occur. Operating Ratings indicate conditions for which the device is intended to be functional, but specific performance is not guaranteed. For guaranteed specifications and the test conditions, see the Electrical Characteristics

Note 2: All voltage values, except differential I/O bus voltage, are with respect to network ground terminal.

Note 3: The maximum power dissipation is a function of $T_{J(MAX)}, \theta_{JA},$ and T_A . The maximum allowable power dissipation at any ambient temperature is $P_D = (T_{J(MAX)} - T_A)/\theta_{JA}$. All numbers apply for packages soldered directly into a PC board.

Note 4: ESD rating based upon human body model, 100pF discharged through 1.5k Ω .

Note 5: Voltage limits apply to DI, DE, RE pins.

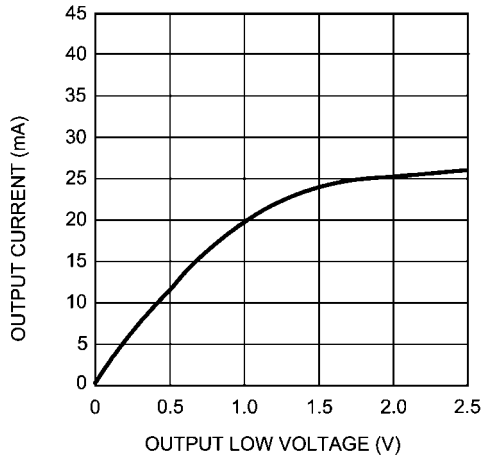
Note 6: Differential input/output bus voltage is measured at the non-inverting terminal A with respect to the inverting terminal B.

Note 7: $|\Delta V_{OD}|$ and $|\Delta V_{OC}|$ are changes in magnitude of V_{OD} and V_{OC} , respectively when the input changes from high to low levels.

Note 8: Peak current

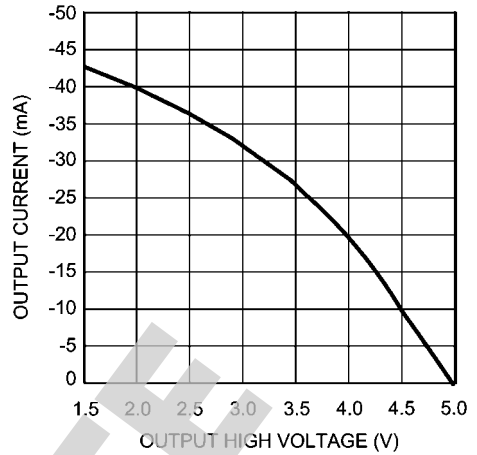
Typical Performance Characteristics

Output Current vs. Receiver Output Low Voltage



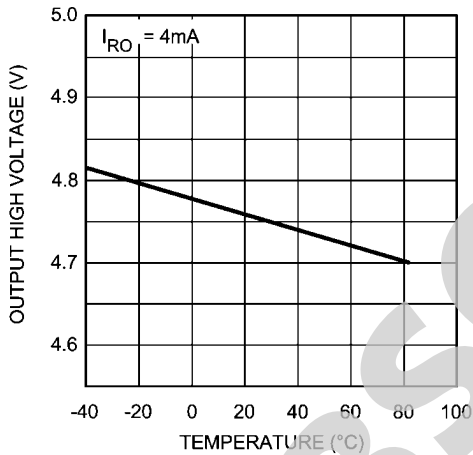
20053013

Output Current vs. Receiver Output High Voltage



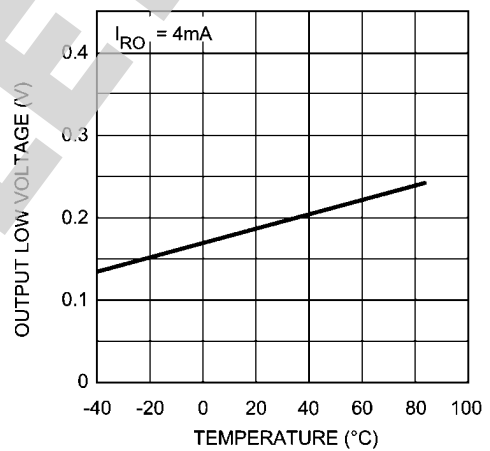
20053014

Receiver Output High Voltage vs. Temperature



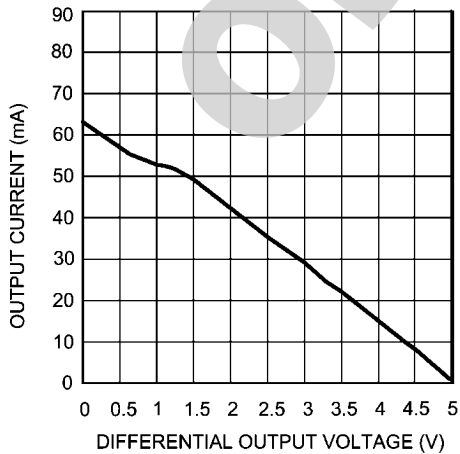
20053015

Receiver Output Low-Voltage vs. Temperature



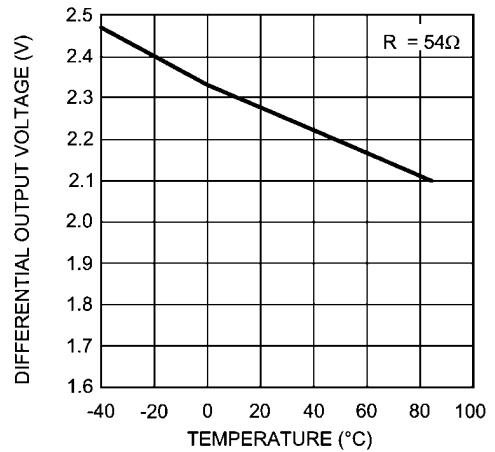
20053016

Driver Output Current vs. Differential Output Voltage



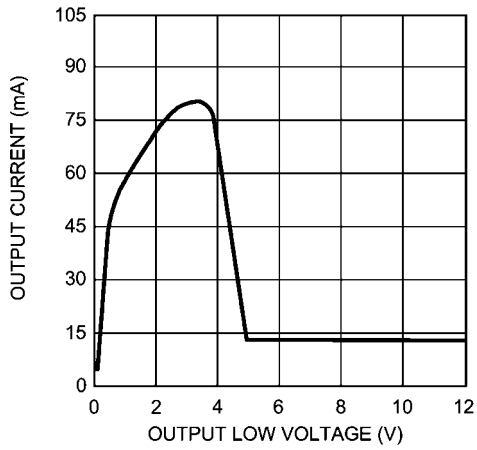
20053017

Driver Differential Output Voltage vs. Temperature



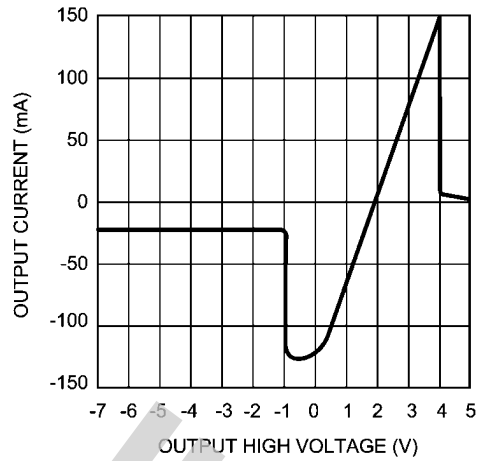
20053018

Output Current vs. Driver Output Low Voltage



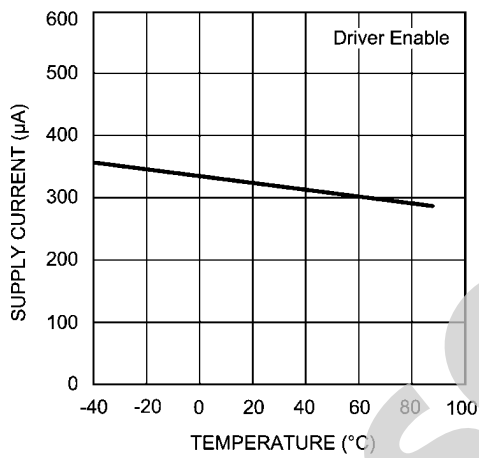
20053019

Output Current vs. Driver Output High Voltage



20053020

Supply Current vs. Temperature



20053021

OBSOLETE

Parameter Measuring Information

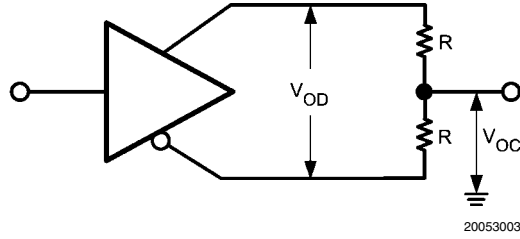


FIGURE 1. Test Circuit for V_{OD} and V_{OC}

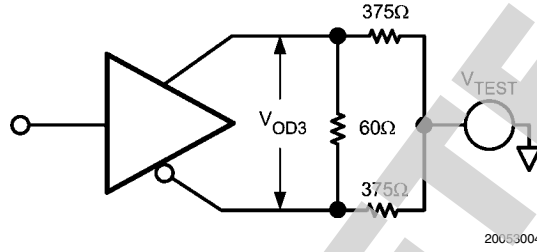


FIGURE 2. Test Circuit for V_{OD3}

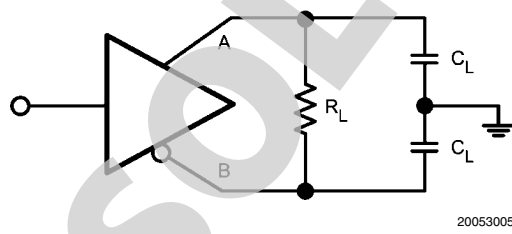


FIGURE 3. Test Circuit for Driver Propagation Delay

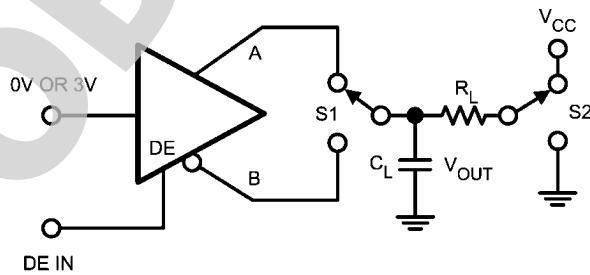


FIGURE 4. Test Circuit for Driver Enable / Disable

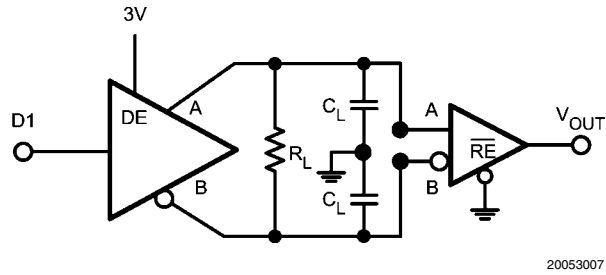


FIGURE 5. Test Circuit for Receiver Propagation Delay

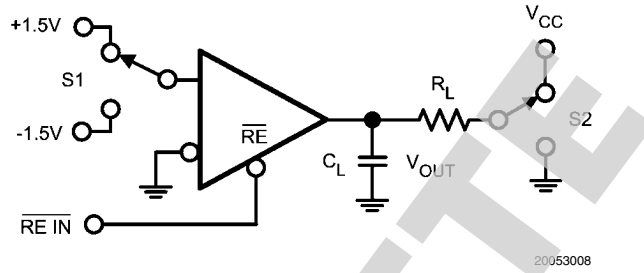
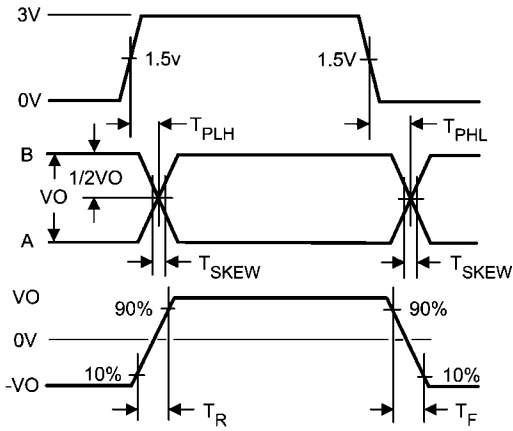


FIGURE 6. Test Circuit for Receiver Enable / Disable

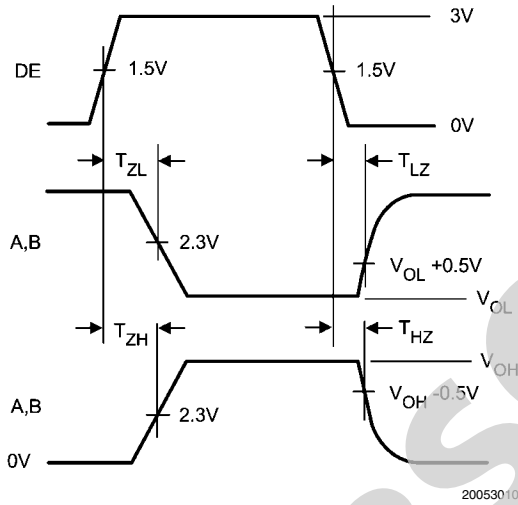
OBSOLETE

Switching Characteristics



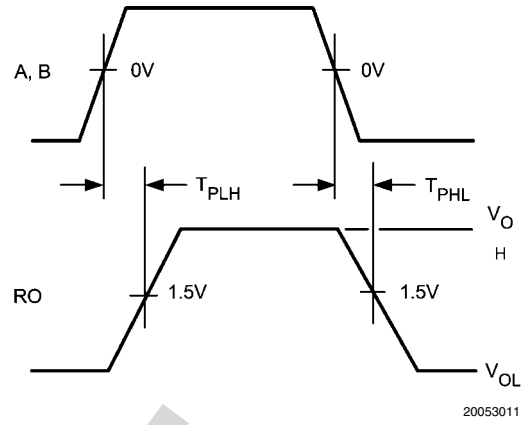
20053009

FIGURE 7. Driver Propagation Delay, Rise / Fall Time



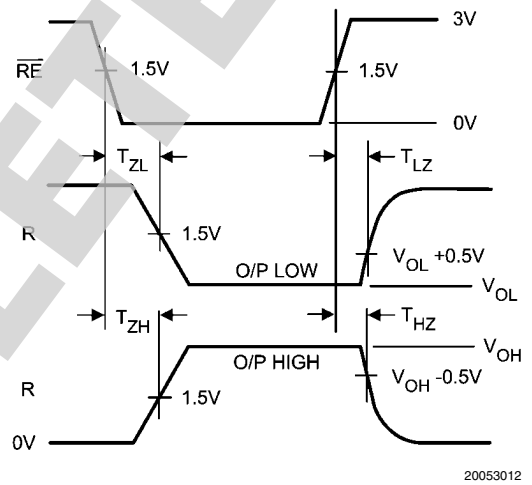
20053010

FIGURE 8. Driver Enable / Disable Time



20053011

FIGURE 9. Receiver Propagation Delay



20053012

FIGURE 10. Receiver Enable / Disable Time

Application Information

POWER LINE NOISE FILTERING

A factor to consider in designing power and ground is noise filtering. A noise filtering circuit is designed to prevent noise generated by the integrated circuit (IC) as well as noise entering the IC from other devices. A common filtering method is to place by-pass capacitors (C_{bp}) between the power and ground lines.

Placing a by-pass capacitor (C_{bp}) with the correct value at the proper location solves many power supply noise problems. Choosing the correct capacitor value is based upon the desired noise filtering range. Since capacitors are not ideal, they

may act more like inductors or resistors over a specific frequency range. Thus, many times two by-pass capacitors may be used to filter a wider bandwidth of noise. It is highly recommended to place a larger capacitor, such as $10\mu\text{F}$, between the power supply pin and ground to filter out low frequencies and a $0.1\mu\text{F}$ to filter out high frequencies.

By-pass capacitors must be mounted as close as possible to the IC to be effective. Long leads produce higher impedance at higher frequencies due to stray inductance. Thus, this will reduce the by-pass capacitor's effectiveness. Surface mounted chip capacitors are the best solution because they have lower inductance.

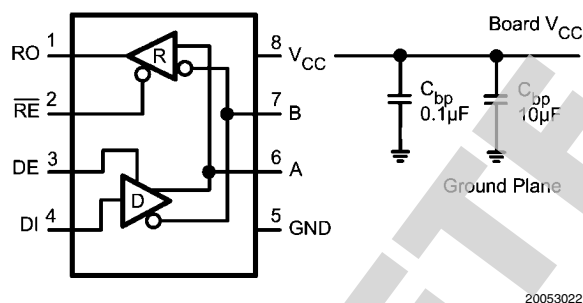
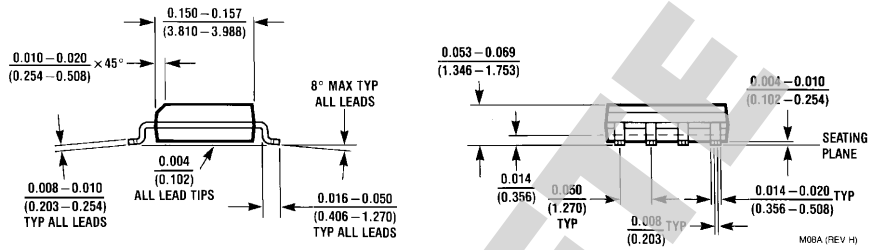
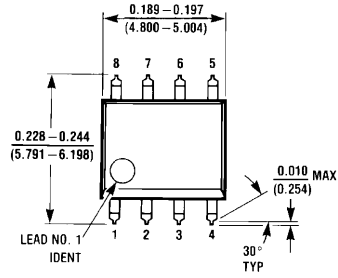
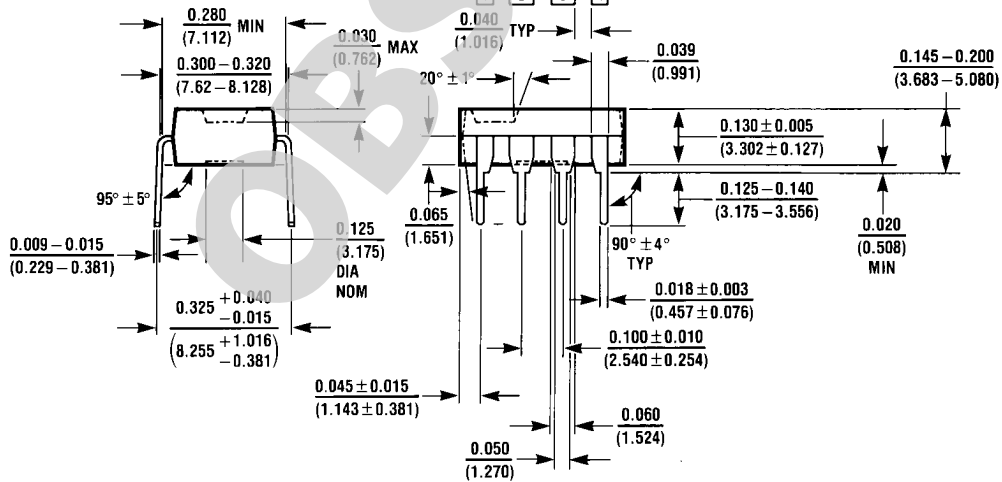
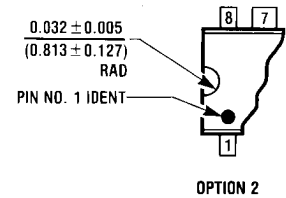
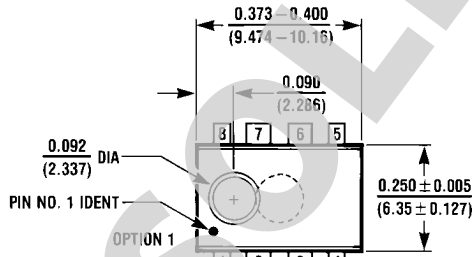


FIGURE 11. Placement of by-pass Capacitors, C_{bp}

Physical Dimensions inches (millimeters) unless otherwise noted



8-Pin SOIC
NS Package Number M08A



8-Pin DIP
NS Package Number N08E

N08E (REV F)

Notes

LMS1487

OBSOLETE

Notes

For more National Semiconductor product information and proven design tools, visit the following Web sites at:
www.national.com

Products		Design Support	
Amplifiers	www.national.com/amplifiers	WEBENCH® Tools	www.national.com/webench
Audio	www.national.com/audio	App Notes	www.national.com/appnotes
Clock and Timing	www.national.com/timing	Reference Designs	www.national.com/refdesigns
Data Converters	www.national.com/adc	Samples	www.national.com/samples
Interface	www.national.com/interface	Eval Boards	www.national.com/evalboards
LVDS	www.national.com/lvds	Packaging	www.national.com/packaging
Power Management	www.national.com/power	Green Compliance	www.national.com/quality/green
Switching Regulators	www.national.com/switchers	Distributors	www.national.com/contacts
LDOs	www.national.com/ldo	Quality and Reliability	www.national.com/quality
LED Lighting	www.national.com/led	Feedback/Support	www.national.com/feedback
Voltage References	www.national.com/vref	Design Made Easy	www.national.com/easy
PowerWise® Solutions	www.national.com/powerwise	Applications & Markets	www.national.com/solutions
Serial Digital Interface (SDI)	www.national.com/sdi	Mil/Aero	www.national.com/milaero
Temperature Sensors	www.national.com/tempensors	SolarMagic™	www.national.com/solarmagic
PLL/VCO	www.national.com/wireless	PowerWise® Design University	www.national.com/training

THE CONTENTS OF THIS DOCUMENT ARE PROVIDED IN CONNECTION WITH NATIONAL SEMICONDUCTOR CORPORATION ("NATIONAL") PRODUCTS. NATIONAL MAKES NO REPRESENTATIONS OR WARRANTIES WITH RESPECT TO THE ACCURACY OR COMPLETENESS OF THE CONTENTS OF THIS PUBLICATION AND RESERVES THE RIGHT TO MAKE CHANGES TO SPECIFICATIONS AND PRODUCT DESCRIPTIONS AT ANY TIME WITHOUT NOTICE. NO LICENSE, WHETHER EXPRESS, IMPLIED, ARISING BY ESTOPPEL OR OTHERWISE, TO ANY INTELLECTUAL PROPERTY RIGHTS IS GRANTED BY THIS DOCUMENT.

TESTING AND OTHER QUALITY CONTROLS ARE USED TO THE EXTENT NATIONAL DEEMS NECESSARY TO SUPPORT NATIONAL'S PRODUCT WARRANTY. EXCEPT WHERE MANDATED BY GOVERNMENT REQUIREMENTS, TESTING OF ALL PARAMETERS OF EACH PRODUCT IS NOT NECESSARILY PERFORMED. NATIONAL ASSUMES NO LIABILITY FOR APPLICATIONS ASSISTANCE OR BUYER PRODUCT DESIGN. BUYERS ARE RESPONSIBLE FOR THEIR PRODUCTS AND APPLICATIONS USING NATIONAL COMPONENTS. PRIOR TO USING OR DISTRIBUTING ANY PRODUCTS THAT INCLUDE NATIONAL COMPONENTS, BUYERS SHOULD PROVIDE ADEQUATE DESIGN, TESTING AND OPERATING SAFEGUARDS.

EXCEPT AS PROVIDED IN NATIONAL'S TERMS AND CONDITIONS OF SALE FOR SUCH PRODUCTS, NATIONAL ASSUMES NO LIABILITY WHATSOEVER, AND NATIONAL DISCLAIMS ANY EXPRESS OR IMPLIED WARRANTY RELATING TO THE SALE AND/OR USE OF NATIONAL PRODUCTS INCLUDING LIABILITY OR WARRANTIES RELATING TO FITNESS FOR A PARTICULAR PURPOSE, MERCHANTABILITY, OR INFRINGEMENT OF ANY PATENT, COPYRIGHT OR OTHER INTELLECTUAL PROPERTY RIGHT.

LIFE SUPPORT POLICY

NATIONAL'S PRODUCTS ARE NOT AUTHORIZED FOR USE AS CRITICAL COMPONENTS IN LIFE SUPPORT DEVICES OR SYSTEMS WITHOUT THE EXPRESS PRIOR WRITTEN APPROVAL OF THE CHIEF EXECUTIVE OFFICER AND GENERAL COUNSEL OF NATIONAL SEMICONDUCTOR CORPORATION. As used herein:

Life support devices or systems are devices which (a) are intended for surgical implant into the body, or (b) support or sustain life and whose failure to perform when properly used in accordance with instructions for use provided in the labeling can be reasonably expected to result in a significant injury to the user. A critical component is any component in a life support device or system whose failure to perform can be reasonably expected to cause the failure of the life support device or system or to affect its safety or effectiveness.

National Semiconductor and the National Semiconductor logo are registered trademarks of National Semiconductor Corporation. All other brand or product names may be trademarks or registered trademarks of their respective holders.

Copyright© 2011 National Semiconductor Corporation

For the most current product information visit us at www.national.com



www.national.com

**National Semiconductor
Americas Technical
Support Center**

Email: support@nsc.com
Tel: 1-800-272-9959

**National Semiconductor Europe
Technical Support Center**

Email: europe.support@nsc.com

**National Semiconductor Asia
Pacific Technical Support Center**

Email: ap.support@nsc.com

**National Semiconductor Japan
Technical Support Center**

Email: jpn.feedback@nsc.com

IMPORTANT NOTICE

Texas Instruments Incorporated and its subsidiaries (TI) reserve the right to make corrections, modifications, enhancements, improvements, and other changes to its products and services at any time and to discontinue any product or service without notice. Customers should obtain the latest relevant information before placing orders and should verify that such information is current and complete. All products are sold subject to TI's terms and conditions of sale supplied at the time of order acknowledgment.

TI warrants performance of its hardware products to the specifications applicable at the time of sale in accordance with TI's standard warranty. Testing and other quality control techniques are used to the extent TI deems necessary to support this warranty. Except where mandated by government requirements, testing of all parameters of each product is not necessarily performed.

TI assumes no liability for applications assistance or customer product design. Customers are responsible for their products and applications using TI components. To minimize the risks associated with customer products and applications, customers should provide adequate design and operating safeguards.

TI does not warrant or represent that any license, either express or implied, is granted under any TI patent right, copyright, mask work right, or other TI intellectual property right relating to any combination, machine, or process in which TI products or services are used. Information published by TI regarding third-party products or services does not constitute a license from TI to use such products or services or a warranty or endorsement thereof. Use of such information may require a license from a third party under the patents or other intellectual property of the third party, or a license from TI under the patents or other intellectual property of TI.

Reproduction of TI information in TI data books or data sheets is permissible only if reproduction is without alteration and is accompanied by all associated warranties, conditions, limitations, and notices. Reproduction of this information with alteration is an unfair and deceptive business practice. TI is not responsible or liable for such altered documentation. Information of third parties may be subject to additional restrictions.

Resale of TI products or services with statements different from or beyond the parameters stated by TI for that product or service voids all express and any implied warranties for the associated TI product or service and is an unfair and deceptive business practice. TI is not responsible or liable for any such statements.

TI products are not authorized for use in safety-critical applications (such as life support) where a failure of the TI product would reasonably be expected to cause severe personal injury or death, unless officers of the parties have executed an agreement specifically governing such use. Buyers represent that they have all necessary expertise in the safety and regulatory ramifications of their applications, and acknowledge and agree that they are solely responsible for all legal, regulatory and safety-related requirements concerning their products and any use of TI products in such safety-critical applications, notwithstanding any applications-related information or support that may be provided by TI. Further, Buyers must fully indemnify TI and its representatives against any damages arising out of the use of TI products in such safety-critical applications.

TI products are neither designed nor intended for use in military/aerospace applications or environments unless the TI products are specifically designated by TI as military-grade or "enhanced plastic." Only products designated by TI as military-grade meet military specifications. Buyers acknowledge and agree that any such use of TI products which TI has not designated as military-grade is solely at the Buyer's risk, and that they are solely responsible for compliance with all legal and regulatory requirements in connection with such use.

TI products are neither designed nor intended for use in automotive applications or environments unless the specific TI products are designated by TI as compliant with ISO/TS 16949 requirements. Buyers acknowledge and agree that, if they use any non-designated products in automotive applications, TI will not be responsible for any failure to meet such requirements.

Following are URLs where you can obtain information on other Texas Instruments products and application solutions:

Products

Audio	www.ti.com/audio
Amplifiers	amplifier.ti.com
Data Converters	dataconverter.ti.com
DLP® Products	www.dlp.com
DSP	dsp.ti.com
Clocks and Timers	www.ti.com/clocks
Interface	interface.ti.com
Logic	logic.ti.com
Power Mgmt	power.ti.com
Microcontrollers	microcontroller.ti.com
RFID	www.ti-rfid.com
OMAP Mobile Processors	www.ti.com/omap
Wireless Connectivity	www.ti.com/wirelessconnectivity

Applications

Communications and Telecom	www.ti.com/communications
Computers and Peripherals	www.ti.com/computers
Consumer Electronics	www.ti.com/consumer-apps
Energy and Lighting	www.ti.com/energy
Industrial	www.ti.com/industrial
Medical	www.ti.com/medical
Security	www.ti.com/security
Space, Avionics and Defense	www.ti.com/space-avionics-defense
Transportation and Automotive	www.ti.com/automotive
Video and Imaging	www.ti.com/video

TI E2E Community Home Page

e2e.ti.com

Mailing Address: Texas Instruments, Post Office Box 655303, Dallas, Texas 75265
Copyright © 2011, Texas Instruments Incorporated

Looking for pricing, stock, or lifecycle information?

Click below to explore more details on WIN SOURCE:

 [View LMS1487CMX/NOPB on WIN SOURCE](#)

 [Texas Instruments](#) Information

Optimize Your Supply Chain with WIN SOURCE Solutions

-  Global Sourcing Solution
-  Obsolete Management
-  Cost Control Management
-  Shortage Management
-  Alternative Solution
-  Excess Inventory Management