



**THE DATASHEET OF
SP208EHET-L**



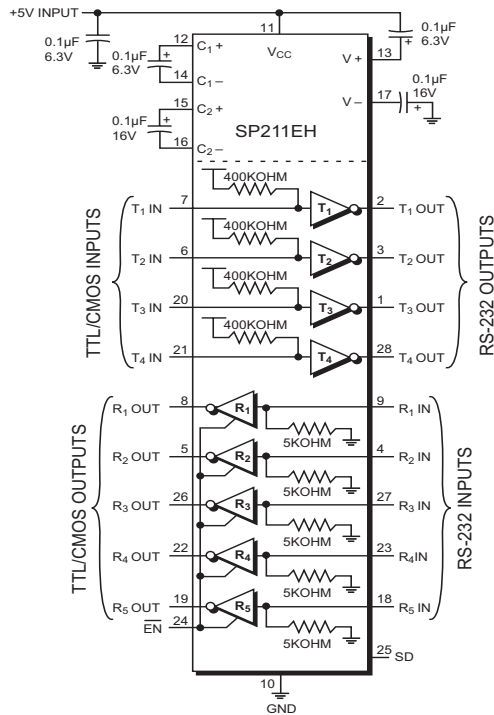


SP211EH/213EH

High Speed +5V High Performance RS-232 Transceivers

- Single +5V Supply Operation
- 0.1µF External Charge Pump Capacitors
- 500kbps Data Rate Under Load
- Standard SOIC and SSOP Footprints
- Lower Supply Current Than Competition (typical 3mA)
- 1µA Shutdown Mode
- Wake-Up Feature in Shutdown Mode
- Tri-State Receiver Outputs
- Ideal for High Speed RS-232 Applications
- Improved ESD Specifications:
 - +15kV Human Body Model
 - +15kV IEC 61000-4-2 Air Discharge
 - +8kV IEC 61000-4-2 Contact Discharge

Now Available in Lead Free Packaging



DESCRIPTION

The **SP211EH/213EH** devices are high speed enhanced multi-channel RS-232 line transceivers with improved electrical performance. The **SP211EH/213EH** series is a superior drop-in replacement to our previous versions as well as popular industry standards. All devices feature very low power CMOS construction and the Exar-patented (5,306,954) on-board charge pump circuitry that generates the +/-10V RS-232 voltage levels using 0.1µF charge pump capacitors. The **SP211EH** and **SP213EH** devices feature a low-power shutdown mode, which reduces power supply drain to 1µA. Enhancements to this series include a higher transmission rate of 500kbps, a lower power supply current at 3mA typical (no load), and superior ESD performance. The ESD tolerance has been improved for this series to over +/-15kV for both Human Body Model and IEC61000-4-2 Air Discharge test methods.

| Model | No. of RS-232 | | No. of Receivers Active in Shutdown | No. of External 0.1µF Capacitors | Shutdown | Wake-Up | TTL Tri-State |
|---------|---------------|-----------|-------------------------------------|----------------------------------|----------|---------|---------------|
| | Drivers | Receivers | | | | | |
| SP211EH | 4 | 5 | 0 | 4 | Yes | No | Yes |
| SP213EH | 4 | 5 | 2 | 4 | Yes | Yes | Yes |

Table 1. Model Selection Table

ABSOLUTE MAXIMUM RATINGS

These are stress ratings only and functional operation of the device at these or any other above those indicated in the operation sections of the specifications below is not implied. Exposure to absolute maximum rating conditions for extended periods of time may affect reliability.

| | | |
|---|--------------------------------------|------------|
| V_{CC} | +6V | |
| V^+ | ($V_{CC} - 0.3V$) to +13.2V | |
| V^- | 13.2V | |
| Input Voltages | | |
| T_{IN} | -0.3V to ($V_{CC} + 0.3V$) | |
| R_{IN} | $\pm 20V$ | |
| Output Voltages | | |
| T_{OUT} | (V^+ , +0.3V) to (V^- , -0.3V) | |
| R_{OUT} | -0.3V to ($V_{CC} + 0.3V$) | |
| Short Circuit Duration on T_{OUT} | | Continuous |

Power Dissipation Per Package

28-pin SSOP (derate 11.2mW/°C above +70°C)...900mW
 28-pin SOIC (derate 12.7mW/°C above +70°C)...1000mW

SPECIFICATIONS

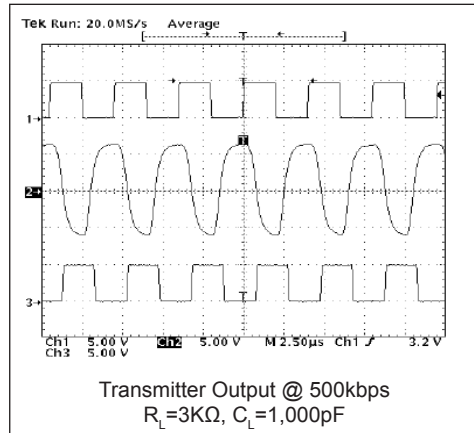
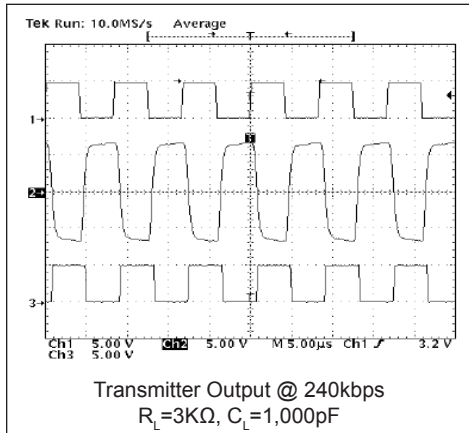
V_{CC} at nominal ratings; 0.1 μ F charge pump capacitors; T_{MIN} to T_{MAX} , unless otherwise noted.

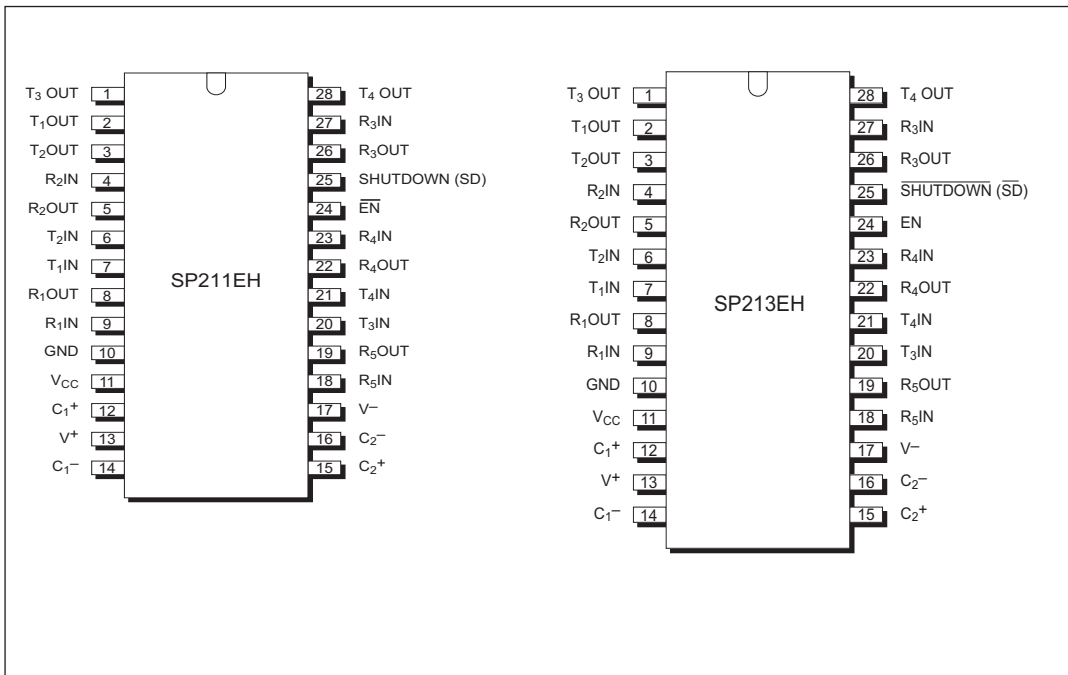
| PARAMETER | MIN. | TYP. | MAX. | UNIT | CONDITIONS |
|--------------------------------|----------|-------|-------|------------|--|
| TTL INPUTS | | | | | T_{IN} , EN, SD |
| Logic Threshold V_{IL} | | | 0.8 | Volts | |
| Logic Threshold V_{IH} | 2.0 | | | Volts | |
| Logic Pull-Up Current | | 15 | 200 | μ A | $T_{IN} = 0V$ |
| Maximum Transmission Rate | 480 | | | kbps | $C_L = 1000pF$, $R_L = 3k\Omega$ |
| TTL OUTPUTS | | | | | |
| Compatibility | TTL/CMOS | | | | |
| V_{OL} | | | 0.4 | Volts | $I_{OUT} = 3.2mA$; $V_{CC} = +5V$ |
| V_{OH} | 3.5 | | | Volts | $I_{OUT} = -1.0mA$ |
| Leakage Current | | 0.05 | +/-10 | μ A | $0V \leq V_{OUT} \leq V_{CC}$; SP211EH $\overline{EN} = 0V$; SP213EH $EN = V_{CC}$, $T_A = +25^\circ C$ |
| RS-232 OUTPUT | | | | | |
| Output Voltage Swing | +/-5 | +/-7 | | Volts | All transmitter outputs loaded with 3k Ω to ground |
| Output Resistance | 300 | | | Ω | $V_{CC} = 0V$; $V_{OUT} = +/-2V$ |
| Output Short Circuit Current | | +/-25 | | mA | Infinite Duration, $V_{OUT} = 0V$ |
| RS-232 INPUT | | | | | |
| Voltage Range | -15 | | +15 | Volts | |
| Voltage Threshold Low | 0.8 | 1.2 | | Volts | $V_{CC} = 5V$, $T_A = +25^\circ C$ |
| Voltage Threshold High | | 1.7 | 2.8 | Volts | $V_{CC} = 5V$, $T_A = +25^\circ C$ |
| Hysteresis | 0.2 | 0.5 | 1.0 | Volts | $V_{CC} = 5V$ |
| Resistance | 3 | 5 | 7 | k Ω | $V_{IN} = +/-15V$, $T_A = +25^\circ C$ |
| DYNAMIC CHARACTERISTICS | | | | | |
| Driver Propagation Delay | | 250 | | ns | TTL to RS-232 |
| Receiver Propagation Delay | | 200 | 500 | ns | RS-232 to TTL |
| Instantaneous Slew Rate | | | TBD | V/ μ s | $C_L = 2500pF$, $R_L = 3k\Omega$; $T_A = +25^\circ C$; from +/-3V |

SPECIFICATIONS

V_{cc} at nominal ratings; 0.1µF charge pump capacitors; T_{MIN} to T_{MAX} unless otherwise noted.

| PARAMETER | MIN. | TYP. | MAX. | UNIT | CONDITIONS |
|--|-----------------------------|------|------|-------|---|
| DYNAMIC CHARACTERISTICS continued | | | | | |
| Transition Time | | | TBD | µs | C _L = 2500pF, R _L = 3kΩ, Measured from -3V to +3V or +3V to -3V |
| Output Enable Time | | 400 | | ns | |
| Output Disable Time | | 250 | | ns | |
| POWER REQUIREMENTS | | | | | |
| V _{cc} | 4.50 | 5.00 | 5.50 | Volts | |
| I _{cc} | | 3 | 6 | mA | No Load: V _{cc} = +/-10% |
| I _{cc} | | 15 | | mA | All Transmitters R _L = 3kΩ |
| Shutdown Current | | 1 | 10 | µA | T _A = +25°C |
| ENVIRONMENTAL AND MECHANICAL | | | | | |
| Operating Temperature | | | | | |
| Commercial, _C | 0 | | +70 | °C | |
| Extended, _E | -40 | | +85 | °C | |
| Storage Temperature | -65 | | +125 | °C | |
| Package | | | | | |
| _A | Shrink (SSOP) small outline | | | | |
| _T | Wide (SOIC) small outline | | | | |





FEATURES

As in the original RS-232 multi-channel products, the **SP211EH** and **SP213EH** high speed multi-channel RS-232 line transceivers provide a variety of configurations to fit most designs, especially high speed applications where $\pm 12V$ is not available. The **SP211EH/213EH** is a superior high speed drop-in replacement to our previous versions as well as popular industry standards.

All devices in this series feature low-power CMOS construction and **Exar's** proprietary on-board charge pump circuitry to generate the RS-232 signal voltages. The ability to use $0.1\mu F$ charge pump capacitors saves board space and reduces production costs. The devices in this series provide different driver/receiver combinations to match any application requirement.

The **SP211EH** and **SP213EH** models feature a low-power shutdown mode, which reduces power supply drain to $1\mu A$. The **SP213EH** includes a Wake-Up function which keeps two receivers active in the shutdown mode, unless disabled by the EN pin.

The family is available in 28 SOIC (wide) and SSOP (shrink) small outline packages. Devices can be specified for commercial ($0^{\circ}C$ to $+70^{\circ}C$) and industrial/extended ($-40^{\circ}C$ to $+85^{\circ}C$) operating temperatures.

THEORY OF OPERATION

The **SP211EH** and **SP213EH** devices are made up of three basic circuit blocks — 1) transmitter/driver, 2) receiver and 3) the **EXAR**—proprietary charge pump. Each model within the series incorporates variations of these circuits to achieve the desired configuration and performance.

Transmitter/Drivers

The drivers of this series can maintain a typical data rate of 500kbps.

This superior RS-232 data transmission rate makes the **SP211EH/213EH** series an ideal match for many designs in personal computer peripherals and LAN applications that demand high speed performance.

The drivers are inverting transmitters, which accept either TTL or CMOS inputs and output the RS-232 signals with an inverted sense relative to the input logic levels. Typically, the RS-232 output voltage swing is $\pm 9V$ with no load, and $\pm 5V$ minimum with full load. The transmitter outputs are protected against infinite short-circuits to ground without degradation in reliability. The drivers of the **SP211EH**, and **SP213EH** can be tri-stated by using the SHUTDOWN function.

In the "power-off" state, the output impedance will remain greater than 300 ohms, again satisfying the RS-232 specifications. Should the input of the driver be left open, an internal 400k ohm pull-up resistor to V_{CC} forces the input high, thus committing the output to a low state. The slew rate of the transmitter output is internally limited to a maximum of $30V/\mu s$ in order to meet the EIA/RS-232 and ITU V.28 standards. The transition of the output from high to low also meets the monotonicity requirements of the standard.

Receivers

The high performance receivers of the **SP211EH/213EH** devices can accept input signals at a typical data rate of 500kbps. The receivers convert RS-232 level input signals to inverted TTL level signals. Since the input is usually from a transmission line where long cable lengths and system interference can degrade the signal, the inputs have a typical hysteresis margin of 500mV. This ensures that the receiver is virtually immune to noisy transmission lines. Should an input be left unconnected, a $5k\Omega$ pull-down resistor to ground will commit the output of the receiver to a high state.

SHUTDOWN MODE

The **SP211EH** and **SP213EH** both feature a control input which will disable the device and reduce power supply to less than 10 μ A, making the parts ideal for battery-powered systems. In the "shutdown" mode the receivers and transmitters will both be tri-stated. The V+ output of the charge pump will discharge to Vcc and the V- output will discharge to ground.

For complete shutdown to occur and the 10 μ A power drain to be realized, the following conditions must be met:

SP211EH:

- +5V must be applied to the SD pin.
- ENABLE must be either 0V, +5V or not connected
- the transmitter inputs must be either +5.0V or not connected
- Vcc must be +5V
- Receiver inputs must be >0V and <+5V

SP213EH:

- 0V must be applied top the $\overline{\text{SD}}$ pin
- ENABLE must be either 0V, +5.0V or not connected
- the transmitter inputs must be either +5.0V or not connected
- Vcc must be +5V
- Receiver inputs must be >0V and <+5V

ENABLE

SP211EH and **SP213EH** feature an enable input, which allows the receiver outputs to be either tri-stated or enabled. This can be especially useful when the receiver is tied directly to a shared microprocessor data bus. For the **SP211EH**, enable is active low; that is, 0V applied to the ENABLE pin will enable the receiver outputs. For the **SP213EH**, enable is active high; that is, +5V applied to the ENABLE pin will enable the receiver outputs.

WAKE-UP FUNCTION

The **SP213EH** has a wake-up feature that keeps two receivers (R4 and R5) in an enabled state when the device is in shutdown mode. With only the receivers active during shutdown, the devices draw 5-10 μ A of supply current.

A typical application of this function would be where a modem is interfaced to a computer in a power-down mode. The ring indicator signal from the modem could be passed through an active receiver in the **SP213EH** that is itself in the shutdown mode. The ring indicator signal would propagate through the **SP213EH** to the power management circuitry of the computer to power up the microprocessor and the **SP213EH** drivers. After the supply voltage to the **SP213EH** reaches +5.0V, the SHUTDOWN pin can be disabled, taking the **SP213EH** out of the shutdown mode.

All receivers that are active during shutdown maintain 500mV (typical) of hysteresis.

| $\overline{\text{SD}}$ | EN | Power Up/Down | Receiver Outputs |
|------------------------|----|---------------|------------------|
| 1 | 1 | Up | Enable |
| 1 | 0 | Up | Tri-state |
| 0 | 1 | Down | Enable |
| 0 | 0 | Down | Tri-State |

Table 2. SP213EH Wake-Up Truth Table

| SD | $\overline{\text{EN}}$ | Power Up/Down | Receiver Outputs |
|----|------------------------|---------------|------------------|
| 0 | 0 | Up | Enable |
| 0 | 1 | Up | Tri-state |
| 1 | 0 | Down | Enable |
| 1 | 1 | Down | Tri-State |

Table 3. SP211EH Receiver Truth Table

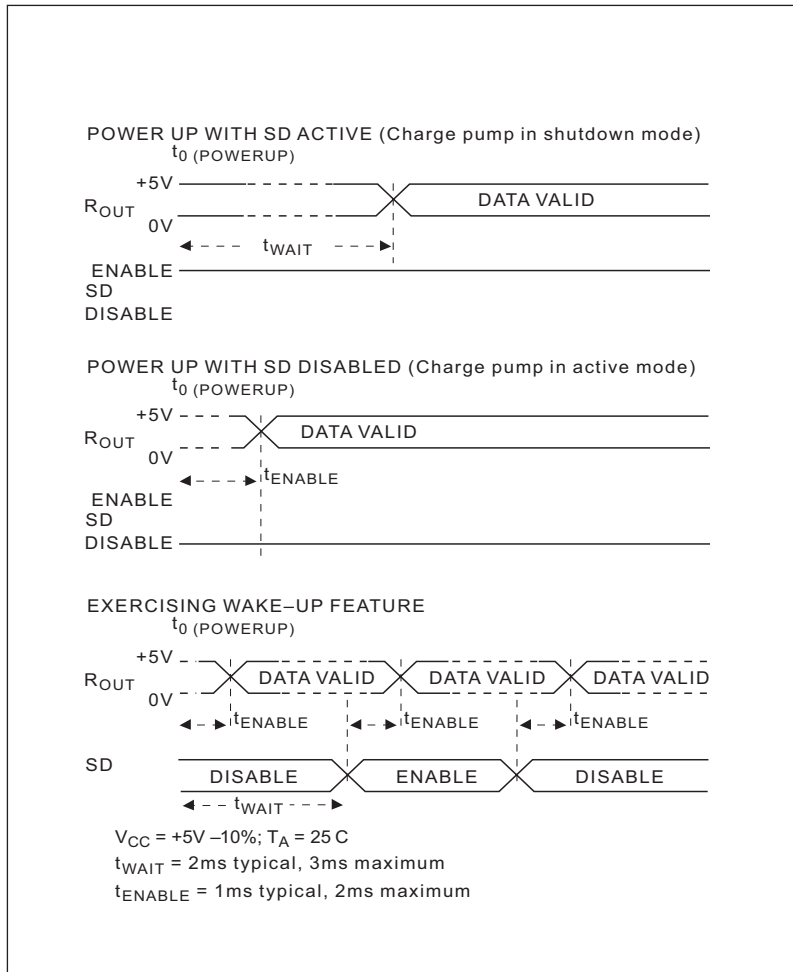


Figure 6. Wake-Up Timing

Charge-Pump

The charge pump is a **Exar**-patented design (5,306,954) and uses a unique approach compared to older less-efficient designs. The charge pumps still requires four external capacitors, but uses a four-phase voltage shifting technique to attain symmetrical 10V power supplies. Figure 3a shows the waveform found on the positive side of capacitor C₂, and Figure 3b shows the negative side of capacitor C₂. There is a free-running oscillator that controls the four phases of the voltage shifting. A description of each phase is as follows:

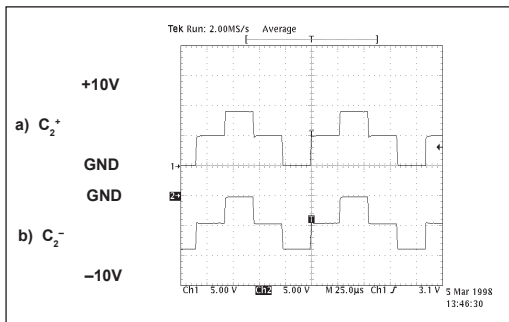


Figure 5. Typical waveforms seen on capacitor C₂ when all drivers are at maximum load.

Phase 1

— V_{SS} charge storage — During this phase of the clock cycle, the positive side of capacitors C₁ and C₂ are initially charged to +5V. C₁⁺ is then switched to ground and charge on C₁⁺ is transferred to C₂⁻. Since C₂⁺ is connected to +5V, the voltage potential across capacitor C₂ is now 10V.

Phase 2

— V_{SS} transfer — Phase two of the clock connects the negative terminal of C₂ to the V_{SS} storage capacitor and the positive terminal of C₂ to ground, and transfers the generated -10V to C₃. Simultaneously, the positive side of capacitor C₁ is switched to +5V and the negative side is connected to ground.

Phase 3

— V_{DD} charge storage — The third phase of the clock is identical to the first phase — the charge transferred in C₁ produces

-5V in the negative terminal of C₁, which is applied to the negative side of capacitor C₂. Since C₂⁺ is at +5V, the voltage potential across C₂ is 10V.

Phase 4

— V_{DD} transfer — The fourth phase of the clock connects the negative terminal of C₂ to ground and transfers the generated 10V across C₂ to C₄, the V_{DD} storage capacitor. Again, simultaneously with this, the positive side of capacitor C₁ is switched to +5V and the negative side is connected to ground, and the cycle begins again.

Since both V⁺ and V⁻ are separately generated from V_{CC} in a no-load condition, V⁺ and V⁻ will be symmetrical. Older charge pump approaches that generate V⁻ from V⁺ will show a decrease in the magnitude of V⁻ compared to V⁺ due to the inherent inefficiencies in the design.

The clock rate for the charge pump typically operates at 15kHz. The external capacitors must be a minimum of 0.1µF with a 16V breakdown rating.

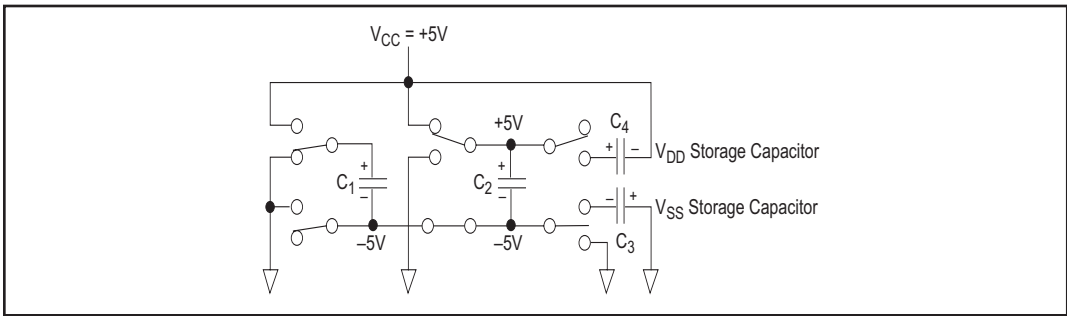


Figure 6, Charge Pump - Phase 1

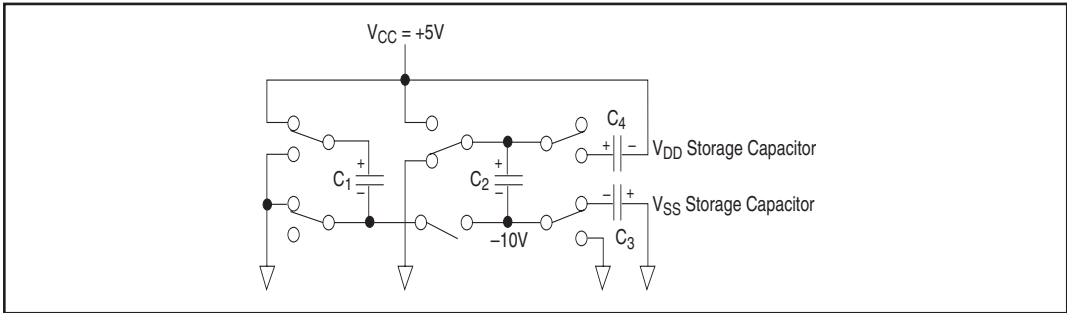


Figure 7, Charge Pump - Phase 2

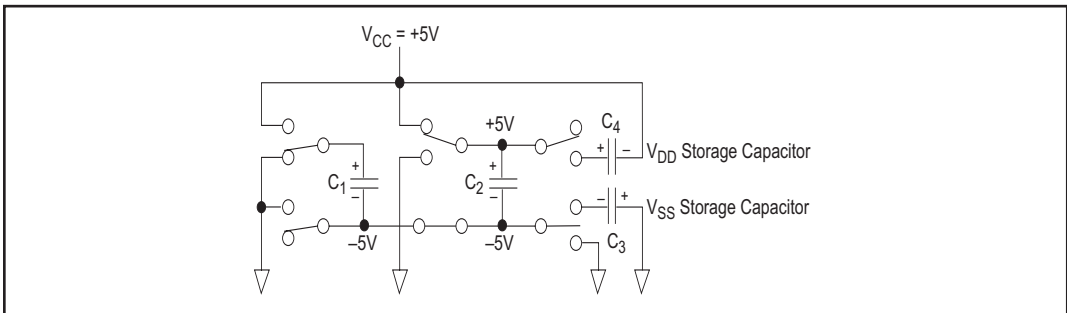


Figure 8, Charge Pump - Phase 3

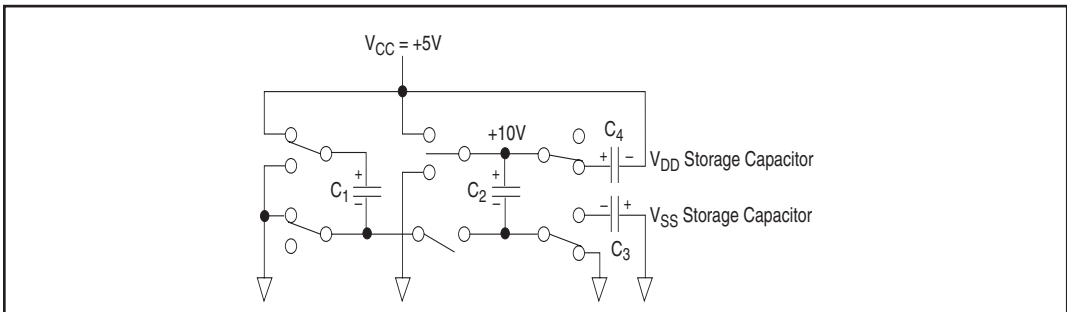


Figure 9, Charge Pump - Phase 4

ESD TOLERANCE

The **SP211EH/213EH** family incorporates ruggedized ESD cells on all driver output and receiver input pins. The ESD structure is improved over our previous family for more rugged applications and environments sensitive to electro-static discharges and associated transients. The improved ESD tolerance is at least $\pm 15\text{kV}$ without damage nor latch-up.

There are different methods of ESD testing applied:

- a) MIL-STD-883, Method 3015.7
- b) IEC61000-4-2 Air-Discharge
- c) IEC61000-4-2 Direct Contact

The Human Body Model has been the generally accepted ESD testing method for semiconductors. This method is also specified in MIL-STD-883, Method 3015.7 for ESD testing. The premise of this ESD test is to simulate the human body's potential to store electro-static energy and discharge it to an integrated circuit. The simulation is performed by using a test model as shown in Figure 10. This method will test the IC's capability to withstand an ESD transient during normal handling such as in manufacturing areas where the IC's tend to be handled frequently.

The IEC-61000-4-2, formerly IEC801-2, is generally used for testing ESD on equipment

and systems. For system manufacturers, they must guarantee a certain amount of ESD protection since the system itself is exposed to the outside environment and human presence. The premise with IEC61000-4-2 is that the system is required to withstand an amount of static electricity when ESD is applied to points and surfaces of the equipment that are accessible to personnel during normal usage. The transceiver IC receives most of the ESD current when the ESD source is applied to the connector pins. The test circuit for IEC61000-4-2 is shown on Figure 11. There are two methods within IEC61000-4-2, the Air Discharge method and the Contact Discharge method.

With the Air Discharge Method, an ESD voltage is applied to the equipment under test (EUT) through air. This simulates an electrically charged person ready to connect a cable onto the rear of the system only to find an unpleasant zap just before the person touches the back panel. The high energy potential on the person discharges through an arcing path to the rear panel of the system before he or she even touches the system. This energy, whether discharged directly or through air, is predominantly a function of the discharge current rather than the discharge voltage. Variables with an air discharge such as approach speed of the object carrying the ESD potential to the system and humidity will tend to change the discharge current. For example, the rise time of the discharge current varies with the approach speed.

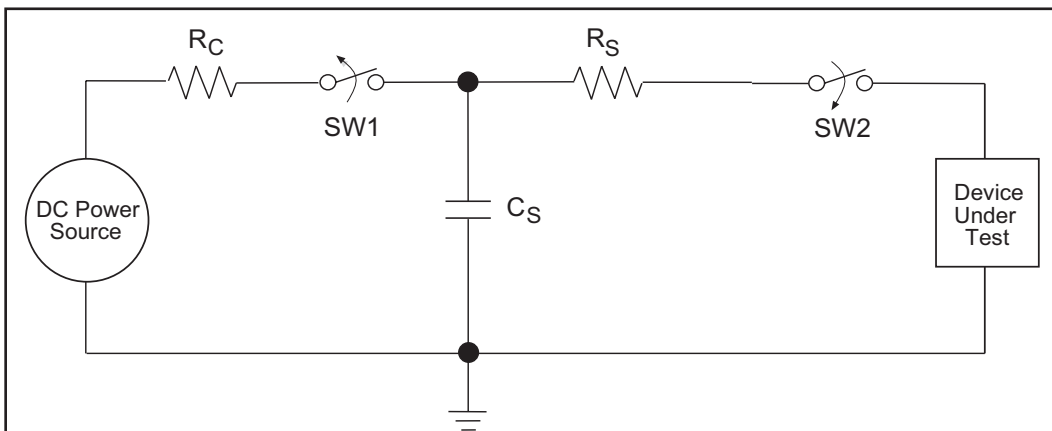


Figure 10. ESD Test Circuit for Human Body Model

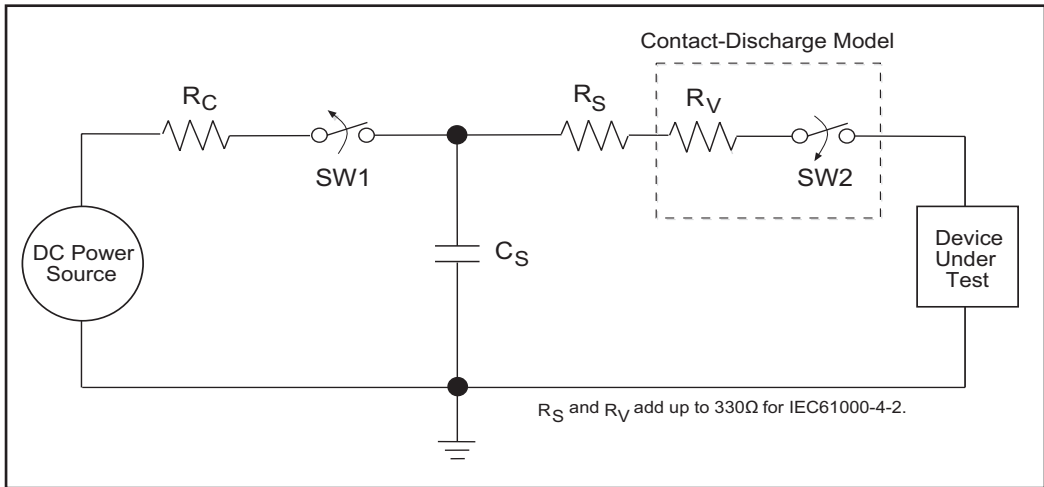


Figure 11. ESD Test Circuit for IEC61000-4-2

The Contact Discharge Method applies the ESD current directly to the EUT. This method was devised to reduce the unpredictability of the ESD arc. The discharge current rise time is constant since the energy is directly transferred without the air-gap arc. In situations such as hand held systems, the ESD charge can be directly discharged to the equipment from a person already holding the equipment. The current is transferred on to the keypad or the serial port of the equipment directly and then travels through the PCB and finally to the IC.

The circuit model in Figures 10 and 11 represent the typical ESD testing circuit used for all three methods. The C_S is initially charged with the DC power supply when the first switch ($SW1$) is on. Now that the capacitor is charged, the second switch ($SW2$) is on while $SW1$ switches off. The voltage stored in the capacitor is then applied through R_S , the current limiting resistor, onto the device under test (DUT). In ESD tests, the $SW2$ switch is pulsed so that the device under test receives a duration of voltage.

For the Human Body Model, the current limiting resistor (R_S) and the source capacitor

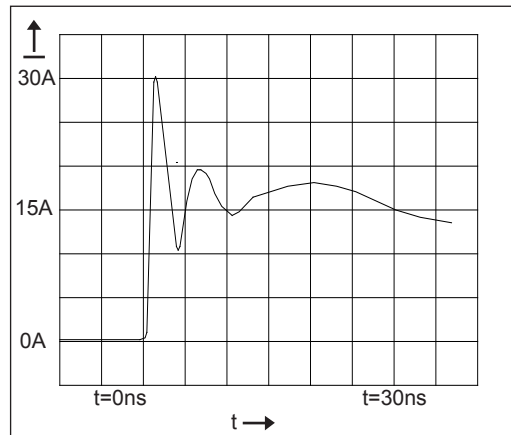


Figure 12. ESD Test Waveform for IEC61000-4-2

(C_S) are 1.5kΩ and 100pF, respectively. For IEC-61000-4-2, the current limiting resistor (R_S) and the source capacitor (C_S) are 330Ω and 150pF, respectively.

The higher C_S value and lower R_S value in the IEC61000-4-2 model are more stringent than the Human Body Model. The larger storage capacitor injects a higher voltage to the test point when $SW2$ is switched on. The lower current limiting resistor increases the current charge onto the test point.

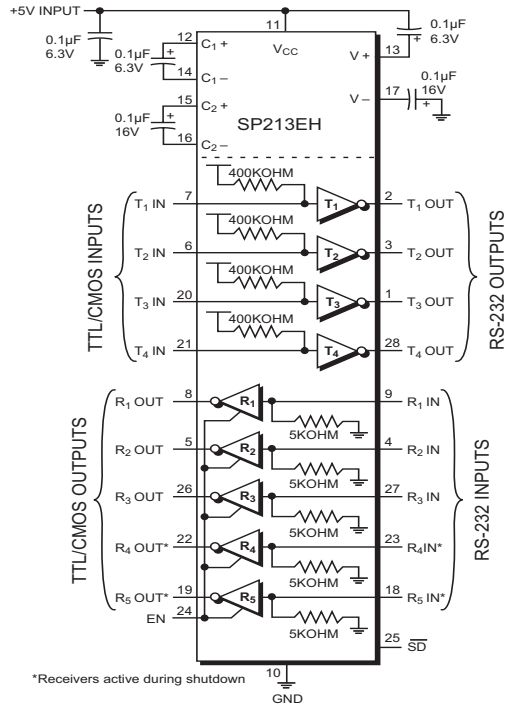
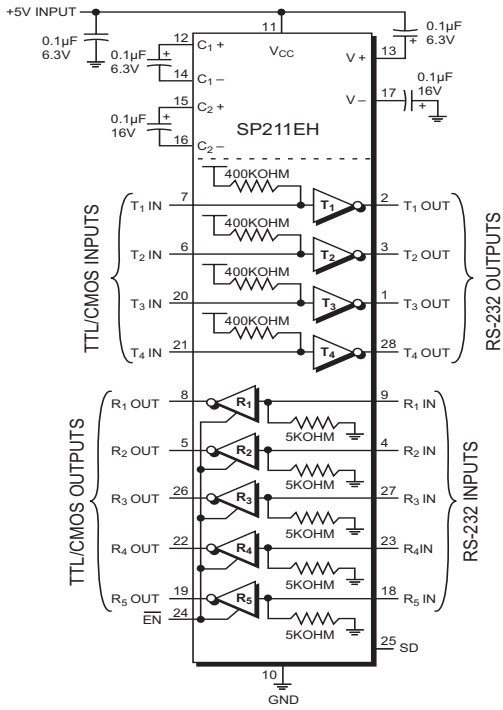
EIA STANDARDS

The Electronic Industry Association (EIA) developed several standards of data transmission which are revised and updated in order to meet the requirements of the industry. In data processing, there are two basic means of communicating between systems and components. The RS-232 standard was first introduced in 1962 and, since that time, has become an industry standard. The RS-232 is a relatively slow data exchange protocol, with a maximum baud rate of only 20kbps, which can be transmitted over a maximum copper wire cable length of 50 feet. The SP211EH/213EH series of data communications interface products have been designed to meet both the EIA protocol standards, and the needs of the industry.

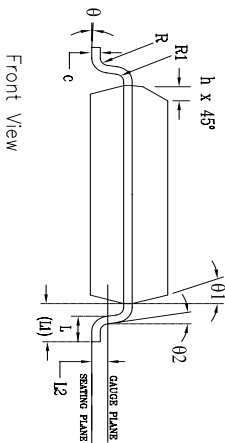
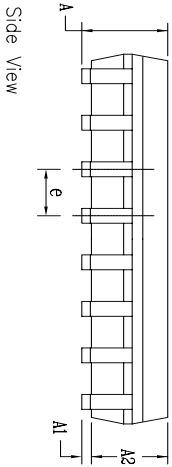
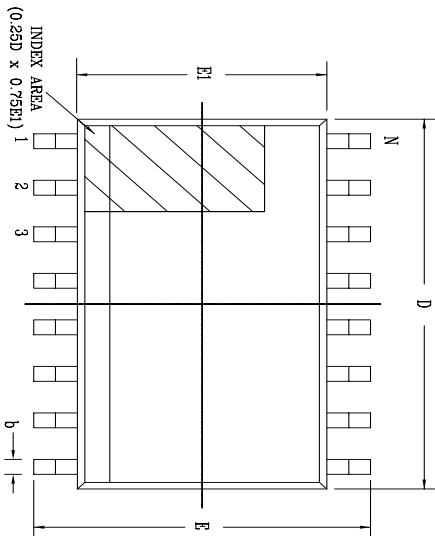
| DEVICE PIN TESTED | HUMAN BODY MODEL | IEC16000-4-2 | | |
|-------------------|------------------|---------------|----------------|-------|
| | | Air Discharge | Direct Contact | Level |
| Driver Outputs | ±15kV | ±15kV | ±8kV | 4 |
| Receiver Inputs | ±15kV | ±15kV | ±8kV | 4 |

Table 3. Transceiver ESD Tolerance Levels

TYPICAL APPLICATION CIRCUITS...SP211EH/213EH



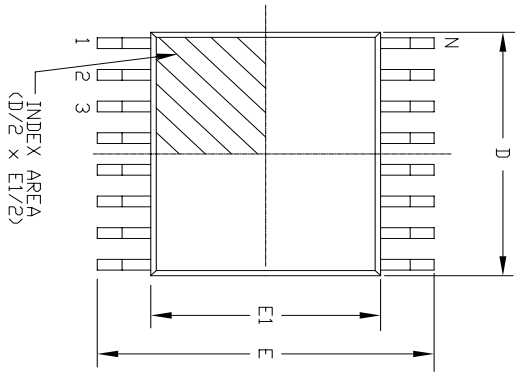
| REVISION HISTORY | | | |
|------------------|--------------------------------------|----------|-------|
| REV. | DESCRIPTION | DATE | APP'D |
| A | DRAWING ORIGINATOR | 04/24/06 | JL |
| B | CHANGE DRAWING LOGO AND COMPANY NAME | 11/28/07 | JL |



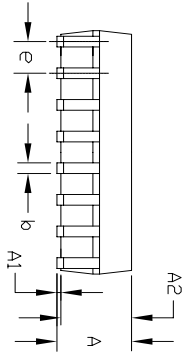
| 28 Pin SOICW | | JEDEC MS-013 | | Variation AE | |
|--------------|------------------------------------|--------------|--|--------------|-----------|
| SYMBOLS | DIMENSIONS IN MM (Control Unit) | | DIMENSIONS IN INCH (Reference Unit) | | MAX |
| | MIN | NOM | MIN | NOM | |
| A | 2.35 | — | 2.65 | 0.093 | — |
| A1 | 0.10 | — | 0.30 | 0.004 | 0.104 |
| A2 | 2.05 | — | 2.55 | 0.081 | — |
| b | 0.31 | — | 0.51 | 0.012 | — |
| c | 0.20 | — | 0.33 | 0.008 | 0.013 |
| E | — | 10.30 BSC | — | — | 0.406 BSC |
| E1 | — | 7.50 BSC | — | — | 0.295 BSC |
| e | 0.25 | — | 1.27 BSC | 0.010 | — |
| h | — | 0.75 | — | 0.010 | — |
| L | 0.40 | — | 1.27 | 0.016 | — |
| L1 | — | 1.40 REF | — | — | 0.055 REF |
| L2 | — | 0.25 BSC | — | — | 0.010 BSC |
| R | 0.07 | — | — | 0.003 | — |
| R1 | 0.07 | — | — | 0.003 | — |
| θ | 0° | — | 8° | 0° | — |
| θ1 | 5° | — | 15° | 5° | — |
| θ2 | 0° | — | — | 0° | — |
| D | — | 17.90 BSC | — | — | 0.705 BSC |
| N | — | 28 | — | — | 28 |

| | | | |
|---------------------|----------|------------------------------|-----------|
| | | EXAR CORPORATION | |
| | | 28 PIN SOICW PACKAGE OUTLINE | |
| Packaging Approval: | Date: | Drawing No.: | Revision: |
| By: JL | 11/28/07 | 28-PIN SOICW | B |
| | | Sheet: | 1 OF 1 |

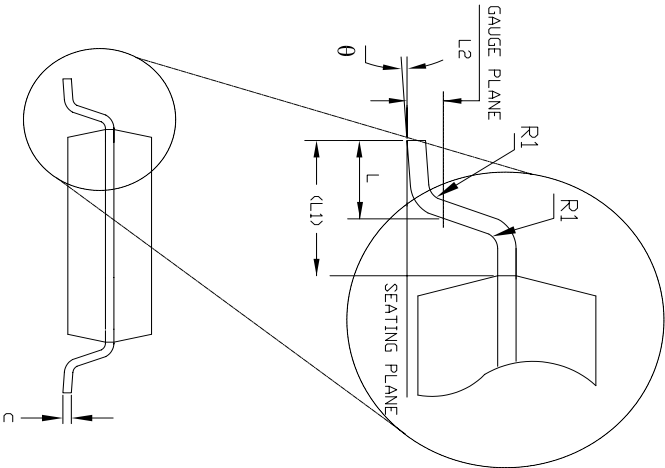
Top View



Side View



Front View



| REVISION HISTORY | | | |
|------------------|--------------------------------------|----------|-------|
| REV. | DESCRIPTION | DATE | APP'D |
| A | DRAWING ORIGINATOR | 04/24/06 | JL |
| B | CHANGE DRAWING LOGO AND COMPANY NAME | 11/28/07 | JL |

| SYMBOLS | DIMENSIONS IN MM (Control Unit) | | | DIMENSIONS IN INCH (Reference Unit) | | |
|---------|---------------------------------|-------|-------|-------------------------------------|-------|-------|
| | MIN | NOM | MAX | MIN | NOM | MAX |
| A | — | — | 2.00 | — | — | 0.079 |
| A1 | 0.05 | — | — | 0.002 | — | — |
| A2 | 1.65 | 1.75 | 1.85 | 0.065 | 0.069 | 0.073 |
| b | 0.22 | — | 0.38 | 0.009 | — | 0.015 |
| c | 0.09 | — | 0.25 | 0.004 | — | 0.010 |
| E | 7.40 | 7.80 | 8.20 | 0.291 | 0.307 | 0.323 |
| E1 | 5.00 | 5.30 | 5.60 | 0.197 | 0.209 | 0.220 |
| e | 0.65 BSC | | | 0.026 BSC | | |
| L | 0.55 | 0.75 | 0.95 | 0.022 | 0.030 | 0.037 |
| L1 | 1.25 REF | | | 0.049 REF | | |
| L2 | 0.25 BSC | | | 0.010 BSC | | |
| R1 | 0.09 | — | — | 0.004 | — | — |
| theta | 0° | 4° | 8° | 0° | 4° | 8° |
| D | 9.90 | 10.20 | 10.50 | 0.390 | 0.402 | 0.413 |
| N | 28 | | | 28 | | |

| | | | | | |
|---------------------|--------|-------------------------|-------------------------|-----------------------------|---------------|
| | | EXAR CORPORATION | | | |
| | | | | 28 PIN SSOP PACKAGE OUTLINE | |
| Packaging Approval: | By: JL | Date: 11/28/07 | Drawing No: 28-PIN SSOP | Revision: B | Sheet: 1 OF 1 |

ORDERING INFORMATION

RS232 Transceivers with Low-Power Shutdown and Tri-state Enable:

| Model | Drivers | Receivers | Temperature Range | Package Type |
|----------------|---------|-----------|-------------------|--------------|
| SP211EHCA-L | 4 | 5 | 0°C to +70°C | 28-pin SSOP |
| SP211EHCA-L/TR | 4 | 5 | 0°C to +70°C | 28-pin SSOP |
| SP211EHCT-L | 4 | 5 | 0°C to +70°C | 28-pin SOIC |
| SP211EHCT-L/TR | 4 | 5 | 0°C to +70°C | 28-pin SOIC |
| SP211EHEA-L | 4 | 5 | -40°C to +85°C | 28-pin SSOP |
| SP211EHEA-L/TR | 4 | 5 | -40°C to +85°C | 28-pin SSOP |
| SP211EHET-L | 4 | 5 | -40°C to +85°C | 28-pin SOIC |
| SP211EHET-L/TR | 4 | 5 | -40°C to +85°C | 28-pin SOIC |

RS232 Transceivers with Low-Power Shutdown, Tri-state Enable, and Wake-Up Function:

| Model | Drivers | Receivers | Temperature Range | Package Type |
|----------------|---------|------------------------------|-------------------|--------------|
| SP213EHCA-L | 4 | 5, with 2 active in Shutdown | 0°C to +70°C | 28-pin SSOP |
| SP213EHCA-L/TR | 4 | 5, with 2 active in Shutdown | 0°C to +70°C | 28-pin SSOP |
| SP213EHEA-L | 4 | 5, with 2 active in Shutdown | -40°C to +85°C | 28-pin SSOP |
| SP213EHEA-L/TR | 4 | 5, with 2 active in Shutdown | -40°C to +85°C | 28-pin SSOP |

| DATE | REVISION | DESCRIPTION |
|-----------|----------|---|
| 08 | -- | Legacy Sipex Datasheet |
| 10/28/10 | 1.0.0 | Convert to Exar format, update ordering information and change rev to 1.0.0 |
| June 2011 | 1.0.1 | All options of SP208EH are discontinued per PDN 110510-01 |

Notice

EXAR Corporation reserves the right to make changes to any products contained in this publication in order to improve design, performance or reliability. EXAR Corporation assumes no representation that the circuits are free of patent infringement. Charts and schedules contained herein are only for illustration purposes and may vary depending upon a user's specific application. While the information in this publication has been carefully checked; No responsibility, however, is assumed for inaccuracies.

EXAR Corporation does not recommend the use of any of its products in life support applications where the failure or malfunction of the product can reasonably be expected to cause failure of the life support system or to significantly affect its safety or effectiveness. Products are not authorized for use in such applications unless EXAR Corporation receives, in writing, assurances to its satisfaction that: (a) the risk of injury or damage has been minimized; (b) the user assumes all such risks; (c) potential liability of EXAR Corporation is adequately protected under the circumstances.

Copyright 2011 EXAR Corporation

Datasheet June 2011

For technical support please email Exar's Serial Technical Support group at: serialtechsupport@exar.com







Reproduction, in part or whole, without the prior written consent of EXAR Corporation is prohibited.

Looking for pricing, stock, or lifecycle information?

Click below to explore more details on WIN SOURCE:

-  [View SP208EHET-L on WIN SOURCE](#)
-  [Exar Corporation](#) Information

Optimize Your Supply Chain with WIN SOURCE Solutions

-  Global Sourcing Solution
-  Obsolete Management
-  Cost Control Management
-  Shortage Management
-  Alternative Solution
-  Excess Inventory Management