

**PE4280**

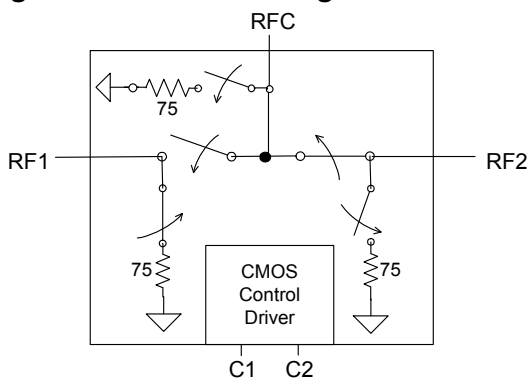
**75 Ω SPDT CATV UltraCMOS™  
Switch 5 MHz - 2.2 GHz**

**Product Description**

The PE4280 is an UltraCMOS™ Switch designed for CATV applications, covering a broad frequency range from DC up to 2.2 GHz. This single-supply SPDT switch integrates a two-pin CMOS control interface. It also provides low insertion loss with extremely low bias requirements while operating on a single 3 V supply. In a typical CATV application, the PE4280 provides for a cost effective and manufacturable solution when compared to mechanical relays.

The PE4280 is manufactured on Peregrine's UltraCMOS™ process, a patented variation of silicon-on-insulator (SOI) technology on a sapphire substrate, offering the performance of GaAs with the economy and integration of conventional CMOS.

**Figure 1. Functional Diagram**



**Table 1. Electrical Specifications @ +25 °C (Z<sub>S</sub> = Z<sub>L</sub> = 75 Ω)**

Parameter	Condition	Minimum	Typical	Maximum	Units
Operating Frequency		5		2200	MHz
Insertion Loss	5 MHz - 250 MHz		0.5	0.6	dB
	250 MHz - 750 MHz		0.8	0.95	
	750 MHz - 1000 MHz		0.9	1.1	
	1000 MHz - 2200 MHz		1.1	1.3	
Isolation	5 MHz - 250 MHz	67	72		dB
	250 MHz - 750 MHz	60	65		
	750 MHz - 1000 MHz	57	60		
	1000 MHz - 2200 MHz	44	47		
Input IP2 <sup>1</sup>	5 MHz - 1000 MHz		75		dBm
Input IP3 <sup>1</sup>	5 MHz - 1000 MHz	50	50		dBm
Input 1dB Compression <sup>1</sup>	1000 MHz	29	26		dBm
CTB/CSO	77 and 110 Channels; Power Out = 44 dBm V		-85		dBc
Switching Time	50% CTRL to 10/90% RF		2		μs
Video Feedthrough <sup>2</sup>	5 MHz - 1000 MHz			15	mV <sub>pp</sub>

Notes: 1. Measured in a 50 Ω system.  
2. Measured with a 1 ns risetime, 0/3 V pulse and 500 MHz bandwidth

**Features**

- 75 Ω characteristic impedance
- Integrated 75 Ω terminations
- CTB performance of 85 dBc
- High isolation 60 dB at 1 GHz
- Low insertion loss: typically 0.5 dB at 5 MHz, 1.1 dB at 1 GHz
- High input IP3: 50 dBm
- CMOS two-pin control
- Single +3 V supply operation
- Low current consumption: 8 μA
- Unique all off terminated mode
- 4 x 4 x 0.85 mm QFN package

**Figure 2. Package Type**

20-lead 4 x 4 x 0.85 mm QFN



Figure 3. Pin Configuration (Top View)

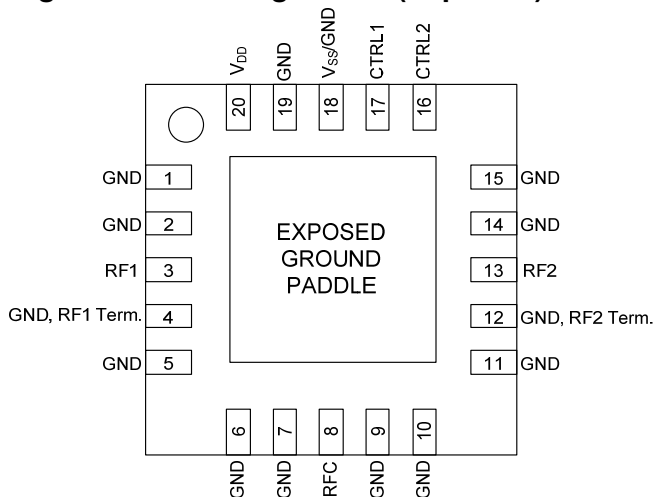


Table 2. Pin Descriptions

No.	Name	Description
1	GND	Ground
2	GND	Ground
3 <sup>1</sup>	RF1	RF I/O
4 <sup>4</sup>	GND	Ground
5	GND	Ground
6	GND	Ground
7 <sup>4</sup>	GND	Ground
8 <sup>1</sup>	RFC	Common
9 <sup>4</sup>	GND	Ground
10	GND	Ground
11	GND	Ground
12 <sup>4</sup>	GND	Ground
13 <sup>1</sup>	RF2	RF I/O
14	GND	Ground
15	GND	Ground
16 <sup>2</sup>	C2	Control 2
17 <sup>2</sup>	C1	Control 1
18 <sup>3</sup>	V <sub>SS</sub> /GND	Negative Supply Option
19	GND	Ground
20	V <sub>DD</sub>	Supply
Pad	GND	Ground Pad

- Notes: 1. RF pins 3, 8, and 13 must be at 0 VDC. The RF pins do not require DC blocking capacitors for proper operation if the 0 VDC requirement is met.  
 2. Pins 16 and 17 are the CMOS controls that set the three operating states.  
 3. Connect pin 18 to GND to enable the on-chip negative voltage generator. Connect pin 18 to V<sub>SS</sub> (-3 V) to bypass and disable internal -3 V supply generator. Also, see paragraph "Switching Frequency."  
 4. Customer can add external resistance to ground to change or modify termination resistance.

Table 3. Absolute Maximum Ratings

Symbol	Parameter/Condition	Min	Max	Unit
V <sub>DD</sub>	Power supply voltage	-0.3	4.0	V
V <sub>I</sub>	Voltage on any DC input	-0.3	V <sub>DD</sub> + 0.3	V
P <sub>RF</sub>	RF CW power		24	dBm
T <sub>ST</sub>	Storage temperature	-65	150	°C
T <sub>OP</sub>	Operating temperature	-40	85	°C
V <sub>ESD</sub>	ESD voltage (Human Body Model)		1000	V

Exceeding absolute maximum ratings may cause permanent damage. Operation should be restricted to the limits in the Operating Ranges table. Operation between operating range maximum and absolute maximum for extended periods may reduce reliability.

Table 4. Operating Ranges @ 25 °C

Parameter	Min	Typ	Max	Unit
V <sub>DD</sub> Power Supply	2.7	3.0	3.3	V
I <sub>DD</sub> Power Supply Current		8	20	μA
Control Voltage High	70% V <sub>DD</sub>			V
Control Voltage Low			30% V <sub>DD</sub>	V

### Electrostatic Discharge (ESD) Precautions

When handling this UTSi device, observe the same precautions that you would use with other ESD-sensitive devices. Although this device contains circuitry to protect it from damage due to ESD, precautions should be taken to avoid exceeding the rating specified.

### Moisture Sensitivity Level

The Moisture Sensitivity Level rating for the PE4280 in the 20-lead 4 x 4 x 0.85 mm QFN package is MSL1.

## Latch-Up Avoidance

Unlike conventional CMOS devices, UltraCMOS™ devices are immune to latch-up.

## Switching Frequency

The PE4280 has a maximum 25 kHz switching rate when the internal negative voltage generator is used (pin 18 = GND). The rate at which the PE4280 can be switched is only limited to the switching time if an external -3 V supply is provided at pin 18 ( $V_{SS}$ ).

**Table 5. RF Path Truth Table**

C1	C2	RFC – RF1	RFC – RF2
Low	Low	OFF	OFF
Low	High	OFF	ON
High	Low	ON	OFF
High	High	N/A <sup>1</sup>	N/A <sup>1</sup>

**Table 6. Termination Truth Table**

C1	C2	RFC – 75 $\Omega$	RF1 – 75 $\Omega$	RF2 – 75 $\Omega$
Low	Low	X <sup>2</sup>	X <sup>2</sup>	X <sup>2</sup>
Low	High		X <sup>2</sup>	
High	Low			X <sup>2</sup>
High	High	N/A <sup>1</sup>	N/A <sup>1</sup>	N/A <sup>1</sup>

Notes: 1. The operation of the PE4280 is not supported or characterized in the C1 =  $V_{DD}$  and C2 =  $V_{DD}$  state.  
2. "X" denotes termination enabled.

## Evaluation Kit

The SPDT Switch Evaluation Kit board was designed to ease customer evaluation of the PE4280 SPDT switch. The RFC port is connected through a 75 Ω transmission line to J2. Port 1 and Port 2 are connected through 75 Ω transmission lines to J1 and J3. A through transmission line connects F connectors J4 and J5. This transmission line can be used to estimate the loss of the PCB over the environmental conditions being evaluated.

The board is constructed of a four metal layer FR4 material with a total thickness of 0.062". The transmission lines were designed using a coplanar waveguide with ground plane (28 mil core, 21 mil width, 30 mil gap).

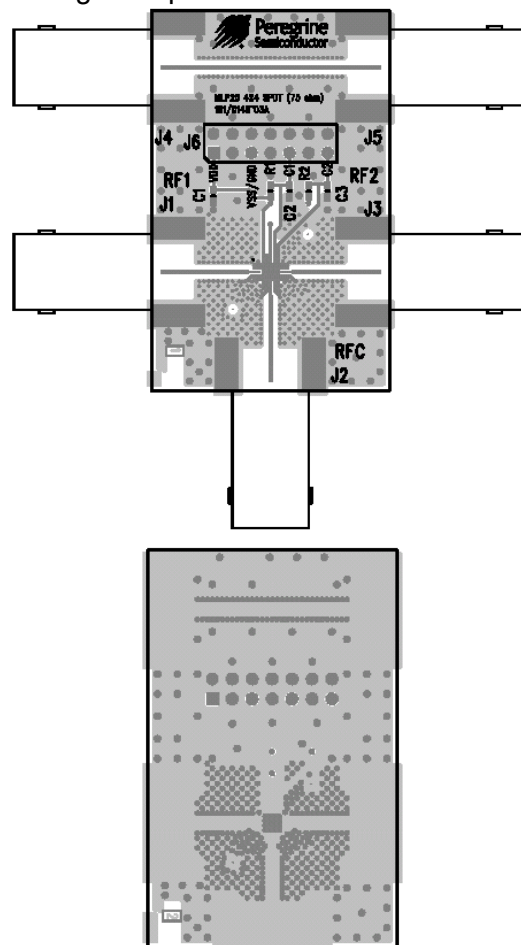
J6 provides a means for controlling DC and digital inputs to the device. The provided jumpers short the package pin to ground for logic low. When the jumper is removed, the pin is pulled up to V<sub>DD</sub> for logic high.

When the jumper is in place, 3 μA of current will flow through the 1 MΩ pull up resistor. This extra current should not be attributed to the requirements of the device.

Proper PCB design is essential for full isolation performance. This eval board demonstrates good trace and ground management for minimum coupling and radiation.

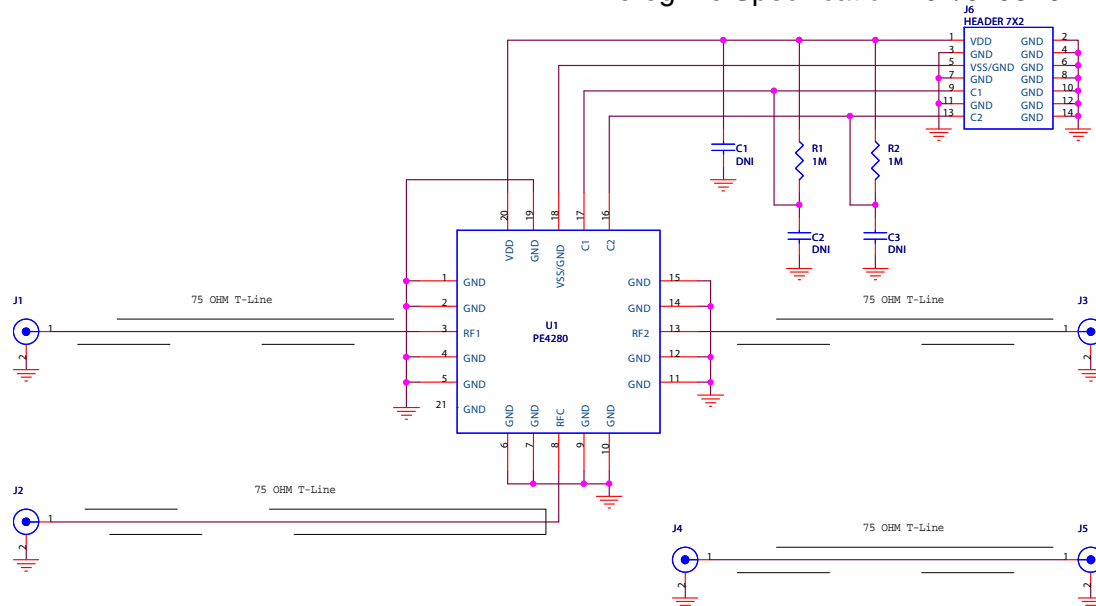
**Figure 4. Evaluation Board Layouts**

Peregrine Specification 101/0148~03A



**Figure 5. Evaluation Board Schematic**

Peregrine Specification 102/0195~02A



Typical Performance Data from -40 °C to +85 °C (unless otherwise noted)  
(75 Ω impedance except as indicated)

Figure 6. Insertion Loss (RFC to RF1 or RF2)

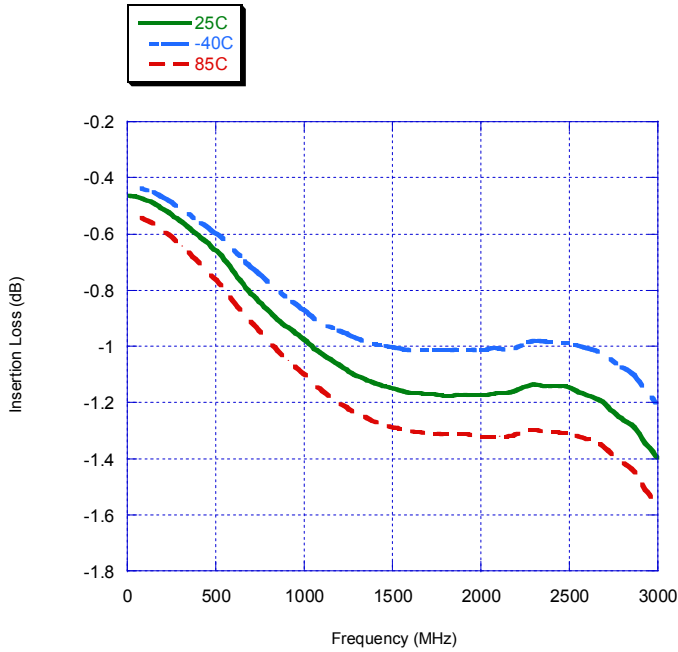


Figure 7. Input to Output Isolation (Closed)

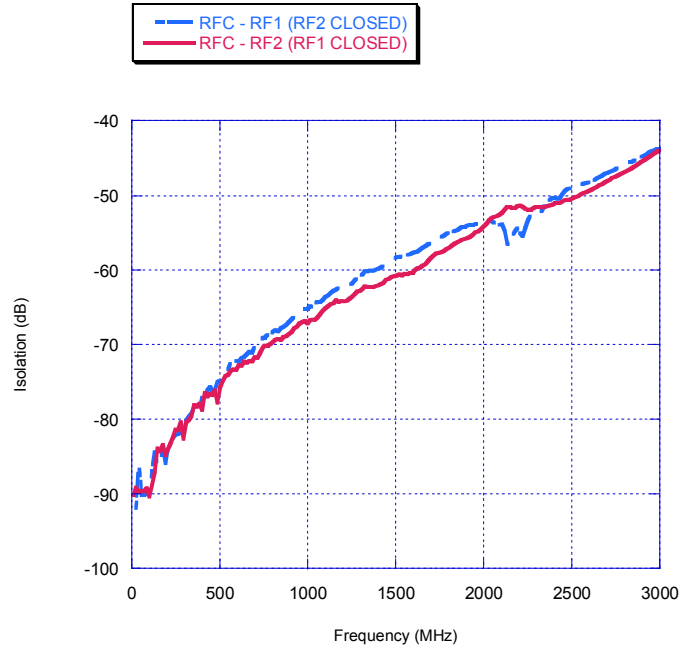


Figure 8. Input to Output Isolation (Open)

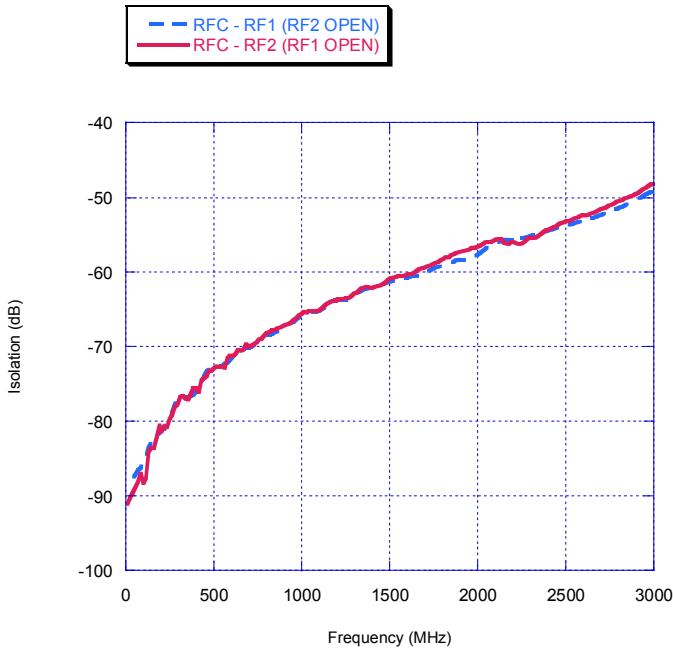
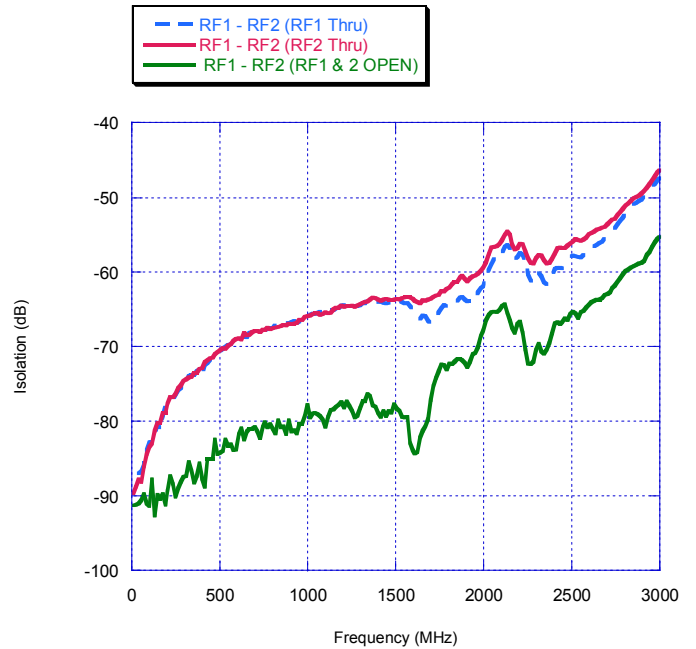


Figure 9. Isolation - RF1 To RF2



Typical Performance Data @ +25° C (Unless otherwise noted)  
(75 Ω impedance except as indicated)

Figure 10. RFC Return Loss

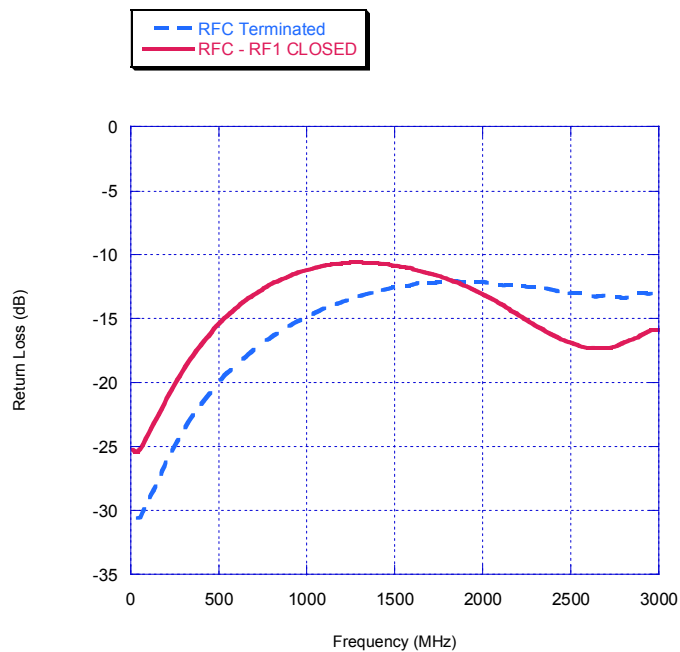


Figure 11. RF1 Return Loss

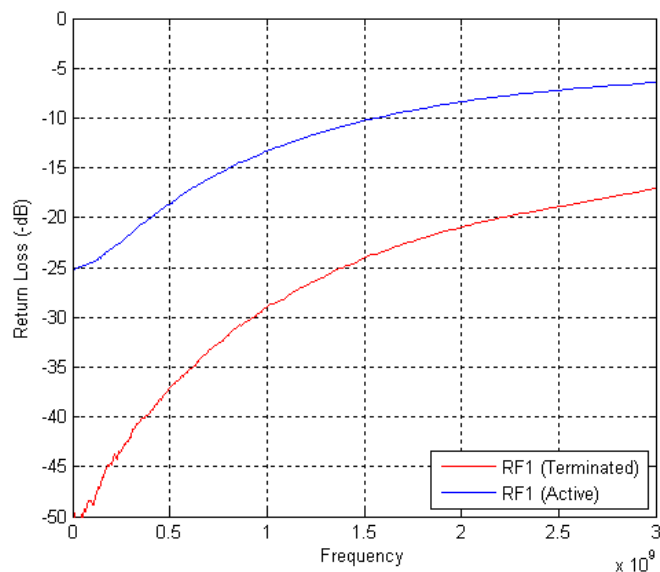


Figure 12. RF2 Return Loss

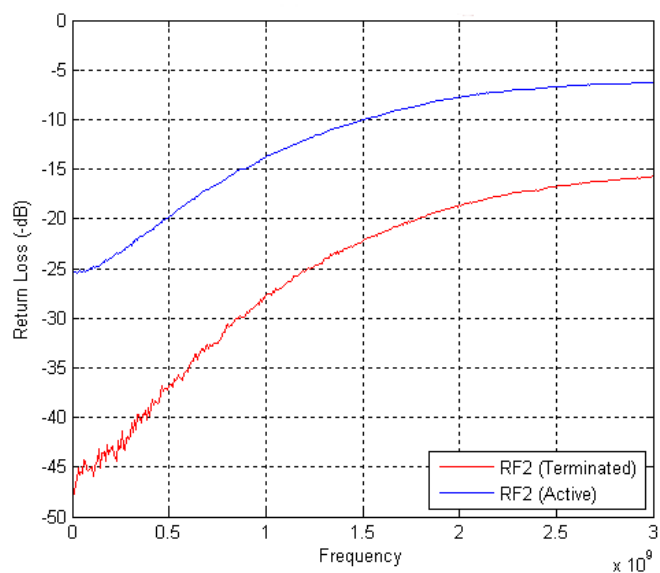


Figure 13. Linearity: 50 Ω Impedance

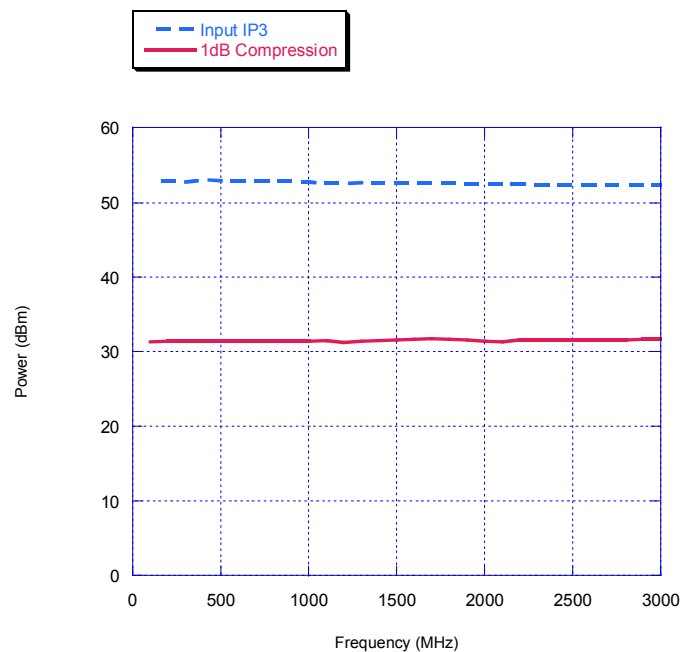


Figure 14. Package Drawing (mm)

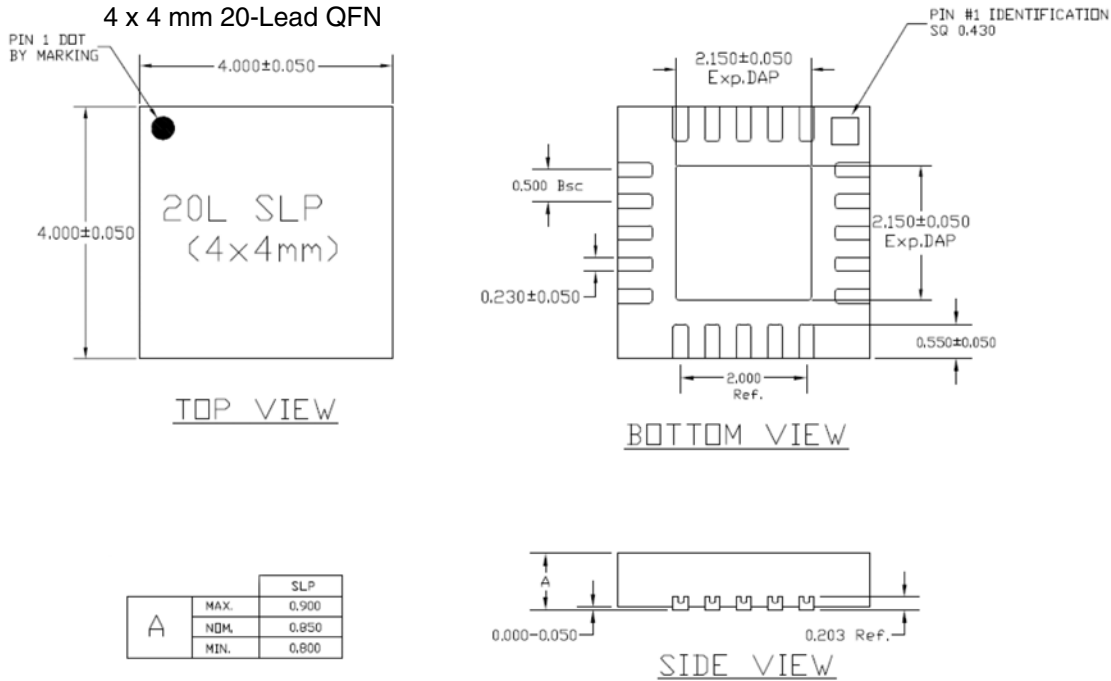
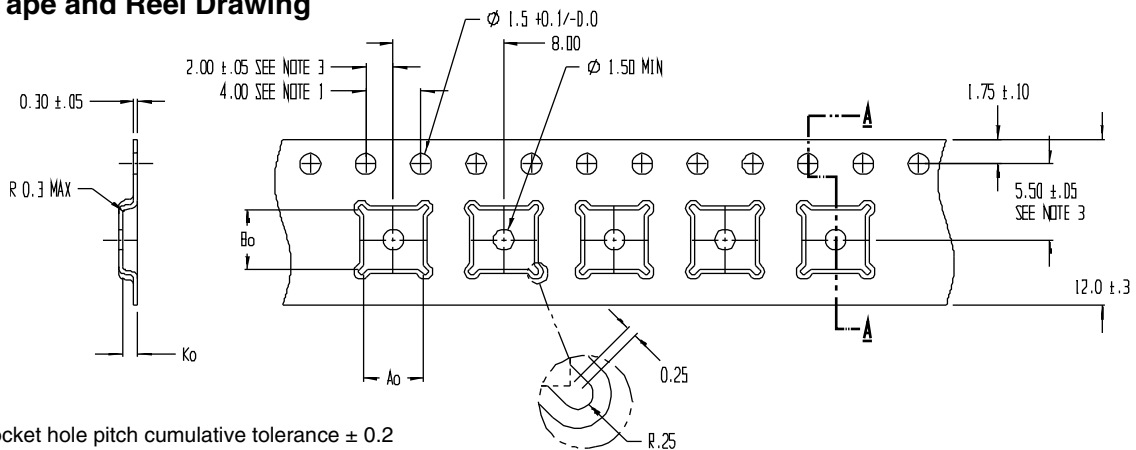


Figure 15. Tape and Reel Drawing



- Notes: 1. 10 sprocket hole pitch cumulative tolerance  $\pm 0.2$   
 2. Camber in compliance with EIA 481  
 3. Pocket position relative to sprocket hole measured as true position of pocket, not pocket hole

Ao = 4.35  $\pm$  0.1 mm  
 Bo = 4.35  $\pm$  0.1 mm  
 Ko = 1.10  $\pm$  0.1 mm

Table 7. Ordering Information

Order Code	Part Marking	Description	Package	Shipping Method
4280-52	4280	PE4280G-20QFN 4x4 mm-3000C	Green 20-lead 4x4 mm QFN, Matte Tin Lead Finish	3000 units/T&R
PE4280MLIAA	4280	PE4280-20QFN 4x4 mm-75	20-lead 4x4 mm QFN, NiPdAu Lead Finish	75 units/Tube
PE4280MLIAA-Z	4280	PE4280-20QFN 4x4 mm-3000	20-lead 4x4 mm QFN, NiPdAu Lead Finish	3000 units/T&R
EK4280-01	PE4280-EK	PE4280-20QFN 4x4 mm-EK	Evaluation Kit	1/Box

## Sales Contact and Information

For Sales and contact information please visit [www.psemi.com](http://www.psemi.com).

**Advance Information:** The product is in a formative or design stage. The datasheet contains design target specifications for product development. Specifications and features may change in any manner without notice. **Preliminary Specification:** The datasheet contains preliminary data. Additional data may be added at a later date. Peregrine reserves the right to change specifications at any time without notice in order to supply the best possible product. **Product Specification:** The datasheet contains final data. In the event Peregrine decides to change the specifications, Peregrine will notify customers of the intended changes by issuing a CNF (Customer Notification Form).

The information in this datasheet is believed to be reliable. However, Peregrine assumes no liability for the use of this information. Use shall be entirely at the user's own risk.

No patent rights or licenses to any circuits described in this datasheet are implied or granted to any third party.

Peregrine's products are not designed or intended for use in devices or systems intended for surgical implant, or in other applications intended to support or sustain life, or in any application in which the failure of the Peregrine product could create a situation in which personal injury or death might occur. Peregrine assumes no liability for damages, including consequential or incidental damages, arising out of the use of its products in such applications.

The Peregrine name, logo, and UTSi are registered trademarks and UltraCMOS, HaRP, MultiSwitch and DuNE are trademarks of Peregrine Semiconductor Corp. All other trademarks mentioned herein are the property of their respective companies.

## Looking for pricing, stock, or lifecycle information?

Click below to explore more details on WIN SOURCE:

-  [View PE4280MLIAA-Z on WIN SOURCE](#)
-  [Peregrine Semiconductor](#) Information

## Optimize Your Supply Chain with WIN SOURCE Solutions

-  Global Sourcing Solution
-  Obsolete Management
-  Cost Control Management
-  Shortage Management
-  Alternative Solution
-  Excess Inventory Management