



**THE DATASHEET OF
BA6235F-E2**



3V electronic governor

BA6235F

The BA6235F is an IC for controlling the speed of low voltage DC motors. It consists of a reference voltage generator, current multiplier, and DC amplifier. The speed of DC motor is controlled by detecting the counter-electromotive force generated by the motor. Various DC motors can be driven by changing the external CR time constants.

●Applications

3V radio cassette tape recorders
Micro-cassette tape recorders

●Features

- 1) Wide range of operating voltage. (1.8 ~ 5V)
- 2) Low current consumption. ($I_o = 2.0\text{mA}$)
- 3) Various DC motors can be driven by changing the external CR time constants.

●Absolute maximum ratings ($T_a = 25^\circ\text{C}$)

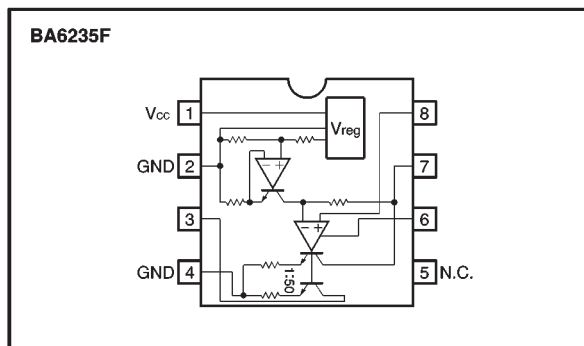
Parameter	Symbol	Limits	Unit
Power supply voltage	V_{cc}	8.0	V
Power dissipation	BA6235F P_d	350*	mW
Operating temperature	T_{opr}	$-20 \sim +75$	$^\circ\text{C}$
Storage temperature	T_{stg}	$-55 \sim +125$	$^\circ\text{C}$

* Reduced by 3.5 mW for each increase in T_a of 1°C over 25°C .

●Recommended operating conditions ($T_a = 25^\circ\text{C}$)

Parameter	Symbol	Min.	Typ.	Max.	Unit
Power supply voltage	V_{cc}	1.8	3.0	5.0	V
Maximum motor current	I_M	—	—	800	mA

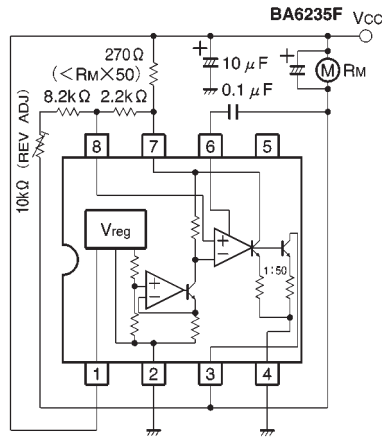
●Block diagram



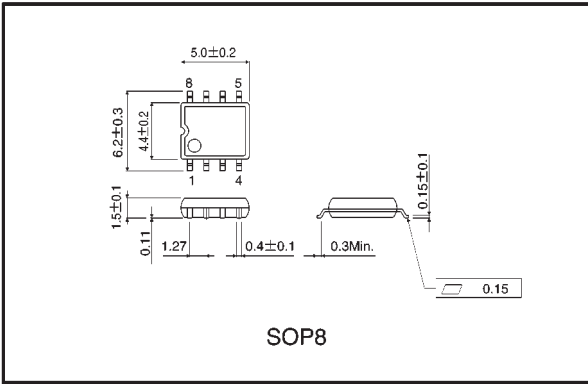
●Electrical characteristics (unless otherwise noted, Ta = 25°C and Vcc = 3.0V)

Parameter	Symbol	Min.	Typ.	Max.	Unit	Conditions
Supply current	I _o	—	2.0	5.5	mA	I _M =0mA
Output saturation voltage	V _{O sat}	—	0.1	0.3	V	I _M =120mA
Reference voltage	V _{ref}	165	190	215	mV	I _M =120mA
Current ratio	K	45	50	55	—	I _M =50~150mA
Reference voltage vs. voltage	$\frac{\Delta V_{ref}}{V_{ref}} / \Delta V_{CC}$	—	0.1	—	% / V	I _M =120mA, V _{CC} =1.8~3.5V
Current ratio vs. voltage	$\frac{\Delta K}{K} / \Delta V_{CC}$	—	0.1	—	% / V	I _M =50~150mA, V _{CC} =1.8~3.5V
Reference voltage vs. current	$\frac{\Delta V_{ref}}{V_{ref}} / \Delta I_M$	—	0.002	—	% / mA	I _M =20~200mA
Current ratio vs. current	$\frac{\Delta K}{K} / \Delta I_M$	—	0.05	—	% / mA	I _M =20~200mA
Reference voltage vs. temperature	$\frac{\Delta V_{ref}}{V_{ref}} / \Delta T_a$	—	0.02	—	% / °C	I _M =120mA, T _a =-20~+75°C
Current ratio vs. temperature	$\frac{\Delta K}{K} / \Delta T_a$	—	0.02	—	% / °C	I _M =50~150mA, T _a =-20~+75°C

●Application example





● External dimensions (Units: mm)




Looking for pricing, stock, or lifecycle information?

Click below to explore more details on WIN SOURCE:

-  [View BA6235F-E2 on WIN SOURCE](#)
-  [Rohm Semiconductor Information](#)

Optimize Your Supply Chain with WIN SOURCE Solutions

-  Global Sourcing Solution
-  Obsolete Management
-  Cost Control Management
-  Shortage Management
-  Alternative Solution
-  Excess Inventory Management