



**THE DATASHEET OF
MAX816CSA+T**





±1% Accuracy, Low-Power, +3V and +5V μ P Supervisory Circuits

MAX814/MAX815/MAX816

General Description

The MAX814/MAX815/MAX816 are high-accuracy microprocessor (μ P) supervisory circuits that provide power-on reset, watchdog, and power-fail functions. They eliminate manual trimming and improve reliability in critical applications needing high-accuracy reset thresholds. The $\overline{\text{RESET}}$ output is guaranteed to be in the correct state for V_{CC} down to 1V. The reset comparator is designed to ignore fast transients on V_{CC} . Reset thresholds are available for operation with a variety of 3V and 5V supply voltages.

A 75 μ A maximum supply current makes the MAX814/MAX815/MAX816 ideal for use in portable equipment. All three devices are available in 8-pin DIP and SO packages. See the *Selector Table* for a review of features.

Selector Table

| FEATURE | MAX814 | MAX815 | MAX816 |
|----------------------------------|------------|------------|------------|
| $\overline{\text{RESET}}$ Output | ✓ | ✓ | ✓ |
| RESET Output | ✓ | | ✓ |
| Manual Reset | ✓ | ✓ | ✓ |
| V_{CC} Reset Voltage | K, L, N, T | K, L, N, T | Adjustable |
| Power-Fail Monitor | ✓ | ✓ | ✓ |
| Low-Line Detector | ✓ | | |
| Watchdog Circuit | | ✓ | |

Applications

- Medical Equipment
- Controllers
- Intelligent Instruments
- Critical μ P Power Monitoring
- Portable/Battery-Powered Equipment
- Set-Top Boxes

Features

- ◆ ±1% Worst-Case Reset Threshold Accuracy
- ◆ 4.8V, 4.7V, 4.55V, 3.03V, or Adjustable Reset Thresholds
- ◆ ±1% Low-Line Threshold Accuracy (MAX814) 60mV Above Reset Threshold
- ◆ 200ms Reset Time Delay
- ◆ Active-Low $\overline{\text{RESET}}$ Output
- ◆ Active-High RESET Output (MAX814/MAX816)
- ◆ 75 μ A Max Supply Current
- ◆ Guaranteed $\overline{\text{RESET}}$ Valid to $V_{\text{CC}} = 1\text{V}$
- ◆ Manual Reset Input
- ◆ ±2% Power-Fail Comparator
- ◆ Independent Watchdog with 1.56sec Timeout (MAX815)
- ◆ Power-Supply Glitch Immunity
- ◆ 8-Pin SO and DIP Packages

Ordering Information

| PART* | TEMP RANGE | PIN-PACKAGE |
|------------|--------------|-------------|
| MAX814_CPA | 0°C to +70°C | 8 PDIP |

*The MAX814/MAX815 offer a choice of reset threshold voltages. From the Reset Trip Threshold table, select the suffix corresponding to the desired threshold and insert it into the blank to complete the part number.

Devices are available in both leaded and lead-free packaging. Specify lead free by adding the + symbol at the end of the part number when ordering.

Ordering Information continued at end of data sheet.

Reset Trip Thresholds table appears at end of data sheet.

Pin Configurations



For pricing, delivery, and ordering information, please contact Maxim/Dallas Direct! at 1-888-629-4642, or visit Maxim's website at www.maxim-ic.com.

±1% Accuracy, Low-Power, +3V and +5V µP Supervisory Circuits

ABSOLUTE MAXIMUM RATINGS

Terminal Voltage (with respect GND)

| | |
|---|-----------------------------------|
| V _{CC} | -0.3V to +6.0V |
| All Other Pins (Note 1)..... | -0.3V to (V _{CC} + 0.3V) |
| Terminal Current (PFI, RESET IN, MR)..... | 10mA |
| Terminal Current (all other pins)..... | 20mA |
| Continuous Power Dissipation (T _A = +25°C) | |
| Plastic DIP (derate 9.09mW/°C above +70°C)..... | 727mW |
| SO (derate 5.88mW/°C above +70°C)..... | 471mW |

Operating Temperature Ranges

| | |
|--------------------------------|-----------------|
| Commercial..... | 0°C to +70°C |
| Extended..... | -40°C to +85°C |
| Storage Temperature Range..... | -65°C to +125°C |

Stresses beyond those listed under "Absolute Maximum Ratings" may cause permanent damage to the device. These are stress ratings only, and functional operation of the device at these or any other conditions beyond those indicated in the operational sections of the specifications is not implied. Exposure to absolute maximum rating conditions for extended periods may affect device reliability.

ELECTRICAL CHARACTERISTICS, +5V Parts (MAX814/MAX815K, L, N)

(V_{CC} = 4.85V to 5.5V for MAX814K/MAX815K, V_{CC} = 4.75V to 5.5V for MAX814L/MAX815L, V_{CC} = 4.60V to 5.5V for MAX814N/MAX815N, T_A = T_{MIN} to T_{MAX}, unless otherwise noted.)

| PARAMETER | SYMBOL | CONDITIONS | | MIN | TYP | MAX | UNITS |
|--|---------------------|--|--|-----------------------|-----|------|-------|
| Operating Voltage Range | V _{CC} | MAX814_C, MAX815_C | | 1.0 | | 5.5 | V |
| | | MAX814_E, MAX815_E | | 1.2 | | 5.5 | |
| Supply Current | I _{SUPPLY} | MAX814_C, MAX815_C | | | | 75 | µA |
| | | MAX814_E, MAX815_E | | | | 85 | |
| Reset Threshold | V _{RT} | MAX814K, MAX815K | | 4.75 | | 4.85 | V |
| | | MAX814L, MAX815L | | 4.65 | | 4.75 | |
| | | MAX814N, MAX815N | | 4.50 | | 4.60 | |
| Reset Threshold Hysteresis | | | | 0 | | | mV |
| Reset Pulse Width | t _{RS} | | | 140 | 200 | 250 | ms |
| RESET Output Voltage | V _{OH} | MAX814 | I _{SOURCE} = 800µA I _{SINK} = 3.2mA | V _{CC} - 1.5 | | | V |
| | V _{OL} | | | 0.4 | | | |
| RESET, W _{DO} , P _{F0} , LOW LINE Output Voltage | V _{OH} | I _{SOURCE} = 800µA | | V _{CC} - 1.5 | | | V |
| | V _{OL} | I _{SINK} = 3.2mA | | 0.4 | | | |
| | | MAX814_C/MAX815_C, V _{CC} = 1.0V, I _{SINK} = 50µA | | 0.3 | | | |
| | | MAX814_E/MAX815_E, V _{CC} = 1.2V, I _{SINK} = 100µA | | 0.3 | | | |
| Watchdog Timeout Period | t _{WD} | MAX815 | | 1.12 | | 2.00 | s |
| WDI Pulse Width | t _{WP} | MAX815 | | 50 | | | ns |
| WDI Input Threshold | V _{WDI} | MAX815, V _{CC} = 5.0V | Low | | | 0.8 | V |
| | | | High | 2.4 | | | |
| WDI Input Current | I _{WDI} | WDI = V _{CC} or WDI = 0V | | -1.0 | | 1.0 | µA |
| MR to W _{DO} High Delay | t _{WDO} | MAX815 (Note 1) | | | 1 | | µs |
| LOW LINE to RESET Differential Threshold | ΔV _{LL} | MAX814_C, V _{CC} falling | | 50 | | 70 | mV |
| | | MAX814_E, V _{CC} falling | | 48 | | 73 | |
| LOW LINE Threshold | V _{LLT} | MAX814K, V _{CC} rising | | | | 4.93 | V |
| | | MAX814L, V _{CC} rising | | | | 4.83 | |
| | | MAX814N, V _{CC} rising | | | | 4.68 | |

±1% Accuracy, Low-Power, +3V and +5V μP Supervisory Circuits

MAX814/MAX815/MAX816

ELECTRICAL CHARACTERISTICS, +5V Parts (MAX814/MAX815K, L, N) (continued)

(V_{CC} = 4.85V to 5.5V for MAX814K/MAX815K, V_{CC} = 4.75V to 5.5V for MAX814L/MAX815L, V_{CC} = 4.60V to 5.5V for MAX814N/MAX815N, T_A = T_{MIN} to T_{MAX}, unless otherwise noted.)

| PARAMETER | SYMBOL | CONDITIONS | MIN | TYP | MAX | UNITS |
|--|--|------------------------------------|-----------------------|------|--------|-------|
| $\overline{\text{MR}}$ Pull-Up Current | I _{MR} | $\overline{\text{MR}} = 0\text{V}$ | 70 | | 240 | μA |
| $\overline{\text{MR}}$ Pulse Width | t _{MR} | | 150 | | | ns |
| $\overline{\text{MR}}$ Input Threshold | V _{$\overline{\text{MR}}$LO} | Low | | | 1.1 | V |
| | V _{$\overline{\text{MR}}$HI} | High | 0.7 × V _{CC} | | | |
| $\overline{\text{MR}}$ to $\overline{\text{RESET}}$ Out Delay | t _{MD} | (Note 3) | | | 250 | ns |
| PFI Input Threshold | V _{PFI} | V _{CC} = 5.0V | 2.45 | 2.50 | 2.55 | V |
| PFI Input Current | I _{PFI} | | -15.00 | +6.0 | +35.00 | nA |
| $\overline{\text{LOW LINE}}$, $\overline{\text{PFO}}$, $\overline{\text{WDO}}$ Assertion Delay | | (Note 2) | | 200 | | μs |

ELECTRICAL CHARACTERISTICS, +3V Parts (MAX814/MAX815T, MAX816)

(V_{CC} = 3.06V to 5.5V for MAX814T/MAX815T and MAX816, T_A = T_{MIN} to T_{MAX}, unless otherwise noted.)

| PARAMETER | SYMBOL | CONDITIONS | MIN | TYP | MAX | UNITS |
|---|---------------------|---|--|---------------------------|-------|-------|
| Operating Voltage Range | V _{CC} | 0°C to +70°C | 1.0 | | 5.5 | V |
| | | -40°C to +85°C | 1.2 | | 5.5 | |
| Supply Current | I _{SUPPLY} | 0°C to +70°C | | | 75 | μA |
| | | -40°C to +85°C | | | 85 | |
| Reset Threshold | V _{RT} | 0°C to +70°C | 3.00 | | 3.06 | V |
| | | -40°C to +85°C | 3.00 | | 3.08 | |
| RESET IN Threshold | V _{RIT} | MAX816C | 1.683 | 1.700 | 1.717 | V |
| | | MAX816E | 1.678 | 1.700 | 1.722 | |
| RESET IN Input Current | I _{RT} | MAX816 | -15 | +6 | +35 | nA |
| Reset Threshold Hysteresis | | | | 0 | | mV |
| Reset Pulse Width | t _{RS} | | 140 | 200 | 250 | ms |
| RESET Output Voltage | V _{OH} | V _{RT} (max) < V _{CC} < 3.6V; MAX814T, MAX816 | I _{SOURCE} = 500μA | 0.8 × V _{CC} | | V |
| | V _{OL} | | | I _{SINK} = 1.2mA | 0.3 | |
| | V _{OH} | 4.5V < V _{CC} < 5.5V; MAX814T, MAX816 | I _{SOURCE} = 800μA | V _{CC} - 1.5 | | |
| | V _{OL} | | | I _{SINK} = 3.2mA | 0.4 | |
| $\overline{\text{RESET}}$, $\overline{\text{WDO}}$, $\overline{\text{PFO}}$, $\overline{\text{LOW LINE}}$ Output Voltage | V _{OH} | V _{RT} (max) < V _{CC} < 3.6V | I _{SOURCE} = 500μA | 0.8 × V _{CC} | | V |
| | V _{OL} | | | I _{SINK} = 1.2mA | 0.3 | |
| | V _{OH} | 4.5V < V _{CC} < 5.5V | I _{SOURCE} = 800μA | V _{CC} - 1.5 | | |
| | V _{OL} | | | I _{SINK} = 3.2mA | 0.4 | |
| | V _{OL} | T _A = 0°C to +70°C, V _{CC} = 1.0V, I _{SINK} = 50μA | | | 0.3 | |
| | V _{OL} | | T _A = -40°C to +85°C, V _{CC} = 1.2V, I _{SINK} = 100μA | | | |
| Watchdog Timeout Period | t _{WD} | MAX815T | 1.12 | | 2.00 | s |

±1% Accuracy, Low-Power, +3V and +5V µP Supervisory Circuits

ELECTRICAL CHARACTERISTICS, +3V Parts (MAX814/MAX815T, MAX816) (continued)

(V_{CC} = 3.06V to 5.5V for MAX814T/MAX815T and MAX816, T_A = T_{MIN} to T_{MAX}, unless otherwise noted.)

| PARAMETER | SYMBOL | CONDITIONS | | MIN | TYP | MAX | UNITS |
|--|-------------------|--|---|-----------------------|-------|--------|-------|
| WDT Pulse Width | t _{WP} | MAX815T | V _{RT(max)} < V _{CC} < 3.6V | 100 | | | ns |
| | | | 4.5V < V _{CC} < 5.5V | 50 | | | |
| WDT Input Threshold | V _{WDI} | V _{RT(max)} < V _{CC} < 3.6V; MAX815T | Low | | | 0.8 | V |
| | | | High | 0.7 × V _{CC} | | | |
| | | V _{CC} = 5.0V; MAX815T | Low | | | 0.8 | |
| | | | High | 2.4 | | | |
| WDT Input Current | I _{WDI} | WDT = V _{CC} or 0V, MAX815T | | -1.0 | | +1.0 | µA |
| MR to WDO High Delay | t _{WDO} | MAX815T (Note 1) | | | 1 | | µs |
| LOW LINE to RESET Differential Threshold | ΔV _{LL} | V _{CC} falling, MAX814TC | | 50 | | 70 | mV |
| | | V _{CC} falling, MAX814TE | | 48 | | 73 | |
| LOW LINE Threshold | V _{LLT} | V _{CC} rising | | | | 3.163 | V |
| MR Pullup Current | I _{MR} | MR = 0V | V _{RT(max)} < V _{CC} < 3.6V | 70 | | 240 | µA |
| | | | 4.5V < V _{CC} < 5.5V | 110 | | 370 | |
| MR Pulse Width | t _{MR} | V _{RT(max)} < V _{CC} < 3.6V | | 500 | | | ns |
| | | 4.5V < V _{CC} < 5.5V | | 150 | | | |
| MR Input Threshold | V _{MRLO} | Low | | | | 1.1 | V |
| | V _{MRHI} | High | | 0.7 × V _{CC} | | | |
| MR to RESET Out Delay (Note 3) | t _{MD} | V _{RT(max)} < V _{CC} < 3.6V | | | | 750 | ns |
| | | 4.5V < V _{CC} < 5.5V | | | | 250 | |
| PFI Input Threshold | V _{PFI} | V _{CC} = 3.3V, 5V | | 1.666 | 1.700 | 1.734 | V |
| PFI Input Current | I _{PFI} | | | -15.00 | +6.0 | +35.00 | nA |

Note 1: Applies if WDO is externally connected to MR or if MR is externally driven.

Note 2: On power-up, delay from reset trip threshold crossing to valid outputs.

Note 3: Applies to both RESET and RESETE.

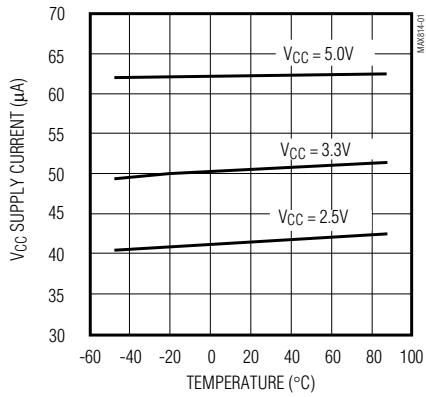
±1% Accuracy, Low-Power, +3V and +5V μ P Supervisory Circuits

Typical Operating Characteristics

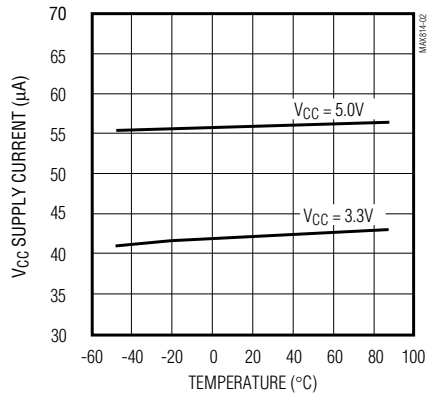
($T_A = +25^\circ\text{C}$, unless otherwise noted.)

MAX814/MAX815/MAX816

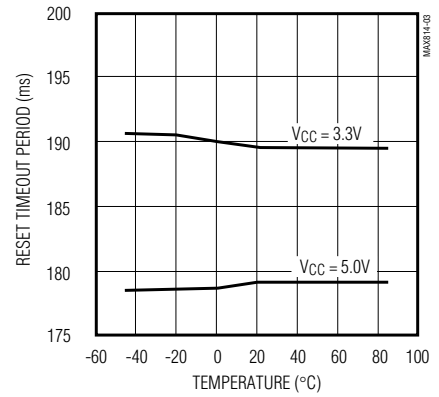
**V_{CC} SUPPLY CURRENT vs. TEMPERATURE
3V PARTS (MAX814T/MAX815T, MAX816)**



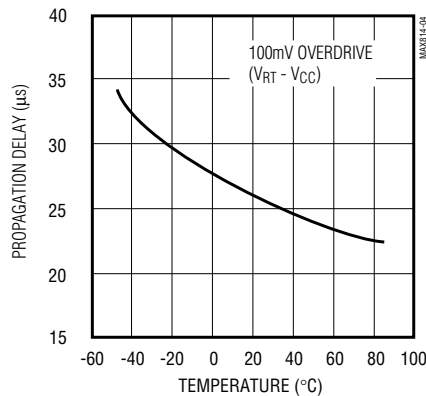
**V_{CC} SUPPLY CURRENT vs. TEMPERATURE
5V PARTS (MAX814/MAX815K, L, N)**



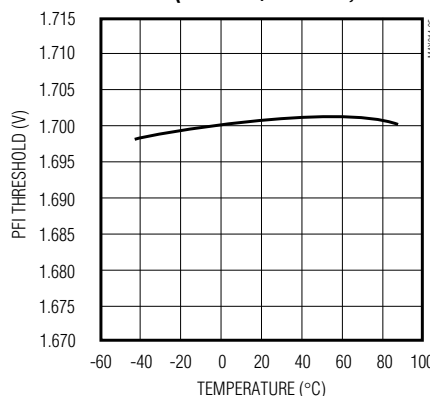
RESET TIMEOUT PERIOD vs. TEMPERATURE



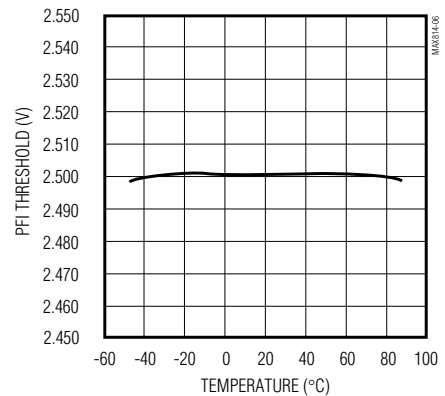
RESET-COMPARATOR PROPAGATION DELAY vs. TEMPERATURE



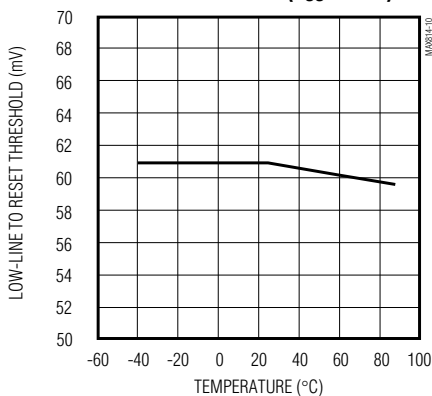
**PFI THRESHOLD vs. TEMPERATURE
3V PARTS (MAX814T/MAX815T, MAX816)**



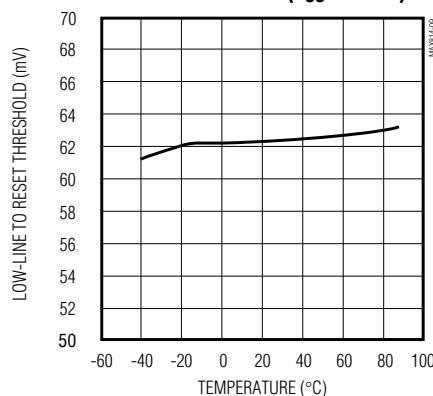
**PFI THRESHOLD vs. TEMPERATURE
5V PARTS (MAX814/MAX815K, L, N)**



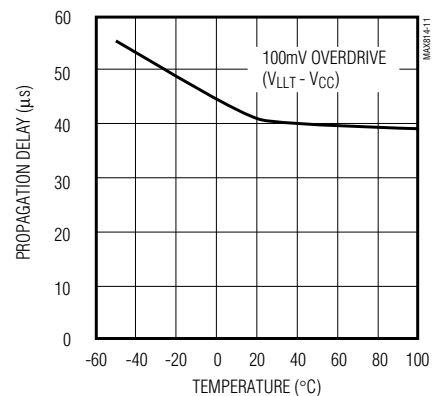
LOW-LINE TO RESET THRESHOLD vs. TEMPERATURE (V_{CC} RISING)



LOW-LINE TO RESET THRESHOLD vs. TEMPERATURE (V_{CC} FALLING)



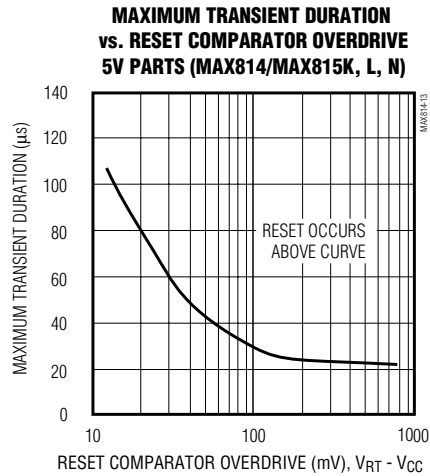
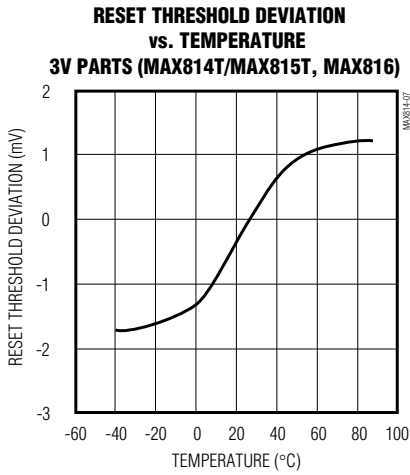
LOW-LINE COMPARATOR PROPAGATION DELAY vs. TEMPERATURE



±1% Accuracy, Low-Power, +3V and +5V μ P Supervisory Circuits

Typical Operating Characteristics (continued)

($T_A = +25^\circ\text{C}$, unless otherwise noted.)



±1% Accuracy, Low-Power, +3V and +5V μP Supervisory Circuits

Pin Description

MAX814/MAX815/MAX816

| PIN | | | NAME | FUNCTION |
|--------|--------|--------|-----------------------|--|
| MAX814 | MAX815 | MAX816 | | |
| 1 | 1 | 1 | \overline{MR} | Manual-Reset Input. Triggers a reset when pulled below 1.10V. This active-low input has an internal 150μA pullup current to V _{CC} , and can be driven with CMOS logic or shorted to GND with a switch or transistor. |
| 2 | 2 | — | V _{CC} | Positive Power-Supply Input. When V _{CC} is below the reset threshold voltage*, \overline{RESET} is low, and remains low for a minimum of 140ms after it rises above the threshold. |
| — | — | 2 | | Positive Power-Supply Input. On the MAX816, \overline{RESET} is controlled by RESET IN, not V _{CC} . |
| 3 | 3 | 3 | GND | Ground |
| 4 | 4 | 4 | PFI | Power-Fail Input. The PFI threshold voltage is 1.70V on the MAX816 and on MAX814/MAX815 parts with the T suffix. It is 2.50V on MAX814/MAX815 parts with K, L, and N suffixes. Connect PFI to GND or V _{CC} when not used. |
| 5 | 5 | 5 | \overline{PFO} | Power-Fail Output. When PFI is below its threshold, \overline{PFO} is low; otherwise it is high. |
| — | 6 | — | WDI | Watchdog CMOS Input. If WDI remains high or low for more than 1.56s, the watchdog timer times out, and \overline{WDO} goes low. The timer is reset to zero on each WDI transition. |
| 6 | — | — | $\overline{LOW LINE}$ | Low-Line Output. Normally high, $\overline{LOW LINE}$ goes low when V _{CC} falls 60mV above the reset threshold. It returns high as soon as V _{CC} rises above the low-line threshold. |
| — | — | 6 | RESET IN | Reset Comparator Input. Reference is 1.70V. When RESET IN is below 1.70V, \overline{RESET} is low, and remains low for a minimum of 140ms after it rises above the reference. |
| 7 | 7 | 7 | \overline{RESET} | Reset Output. Normally high, active low. Controlled by \overline{MR} and reset comparator. |
| — | 8 | — | \overline{WDO} | Watchdog Output. Normally high, \overline{WDO} goes low whenever the V _{CC} reset threshold comparator input voltage is low or when the watchdog timer times out. There is no appreciable delay going either direction when the V _{CC} threshold comparator toggles. |
| 8 | — | 8 | RESET | Reset Output. Active high. The inverse of \overline{RESET} . |

*Reset Threshold Voltage is determined by part number suffix: K = 4.80V, L = 4.70V, N = 4.55V, T = 3.03V.

Detailed Description

The MAX814/MAX815/MAX816 are high-accuracy, low-power microprocessor (μP) supervisory circuits. They have μP-reset, watchdog-timer, and power-fail functions. Typical applications illustrating their similarities and differences are shown in Figures 1, 2, and 3. Figures 4, 5, and 6 show the block diagrams of these parts.

$\pm 1\%$ Accuracy, Low-Power, +3V and +5V μ P Supervisory Circuits



Figure 1a. Typical Application for Dual +3.3V and +5V Systems



Figure 1b. MAX814 Typical Application

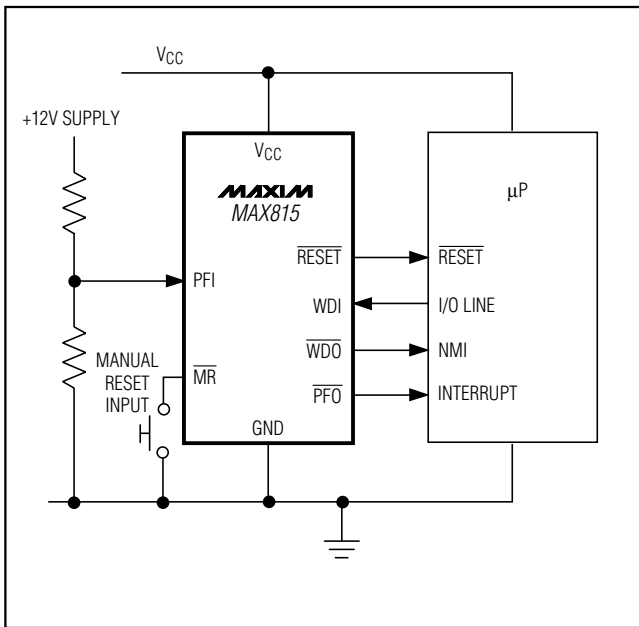


Figure 2. MAX815 Typical Application



Figure 3. MAX816 Typical Application

±1% Accuracy, Low-Power, +3V and +5V μ P Supervisory Circuits

MAX814/MAX815/MAX816

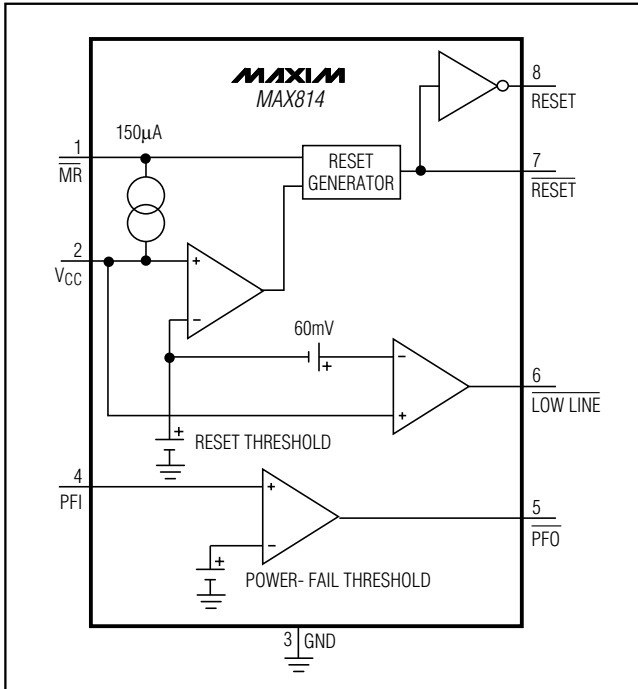


Figure 4. MAX814 Block Diagram

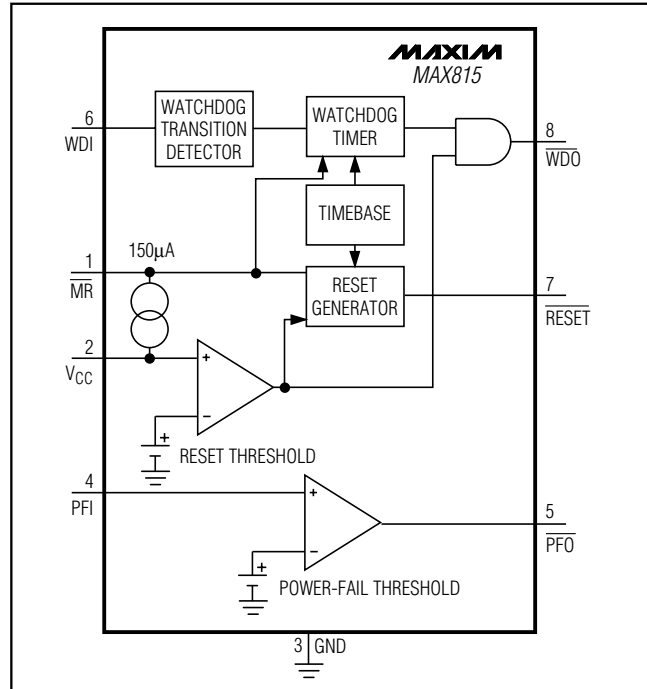


Figure 5. MAX815 Block Diagram



Figure 6. MAX816 Block Diagram

Reset Output

A μ P's reset input starts the μ P in a known state. Whenever the μ P is in an unknown state, it should be held in reset. The MAX814/MAX815/MAX816 assert reset during power-up, power-down, or brownout conditions.

On power-up, once V_{CC} reaches 1V, $\overline{\text{RESET}}$ is a guaranteed logic low of 0.4V or less. As V_{CC} rises, $\overline{\text{RESET}}$ stays low. As V_{CC} rises above the reset threshold, an internal timer releases $\overline{\text{RESET}}$ after 200ms. $\overline{\text{RESET}}$ also pulses low whenever V_{CC} dips below the reset threshold (i.e., brownout condition). If brownout occurs in the middle of a previously initiated reset, the internal timer is reset and the output remains low for at least another 140ms after the brownout ends. On power-down, once V_{CC} falls below the reset threshold, $\overline{\text{RESET}}$ stays low and is guaranteed to be less than 0.3V until V_{CC} drops below 1V.

The MAX814 and MAX816 also offer active-high RESET outputs. They are the inverse of the $\overline{\text{RESET}}$ outputs.

±1% Accuracy, Low-Power, +3V and +5V μ P Supervisory Circuits

Reset Threshold

The MAX814/MAX815 have fixed, factory-set reset thresholds, signified by the first suffix letter in the part number (see Figure 7 for more information on reset ranges). The MAX816 has an adjustable reset threshold.

MAX814/MAX815 K-suffix parts have a minimum reset threshold set to 4.75V, worst case. They are intended for 5.0V systems with a $\pm 4\%$ or better power-supply tolerance design that must meet worst-case system parameters over time, temperature, line, and load variations. Typically, the reset threshold (V_{RT}) is greater than or equal to the minimum IC operating voltage ($V_{IC(MIN)}$). The "K" series 1%-tolerance reset threshold allows a larger range of power-supply tolerance. System ICs

that have a tight operating supply range, like the 386/486 μ Ps, need a RESET initiated at a minimum threshold of 4.75V, worst case.

L-suffix parts have a minimum reset threshold set to 4.65V, worst case. They are intended for 5.0V systems with a $\pm 5\%$ power-supply tolerance. Typically, the reset threshold is less than or equal to the minimum power-supply voltage, allowing system operation over the complete power-supply range. A reset is initiated at 4.75V maximum. The 1% "L" version maximizes the System IC Guard-Band Range.

N-suffix parts have a minimum reset threshold set to 4.50V, worst case. They are intended for 5.0V systems with a $\pm 10\%$ IC system. Typically, the reset threshold

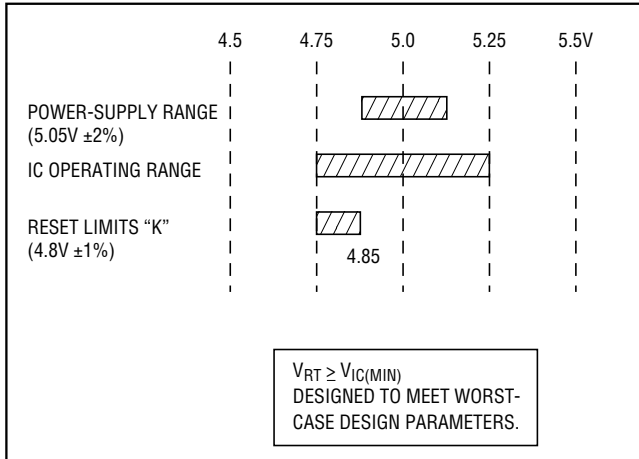


Figure 7a. K Suffix Design Range

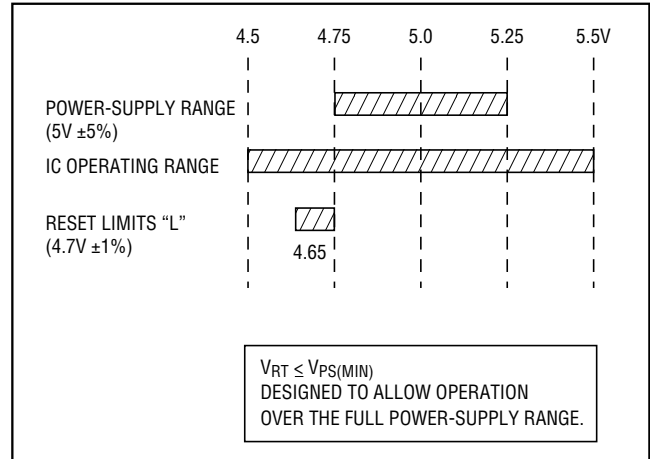


Figure 7b. L Suffix Design Range

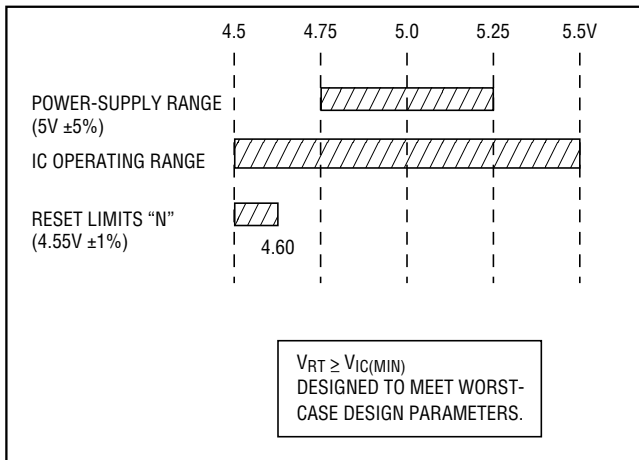


Figure 7c. N Suffix Design Range

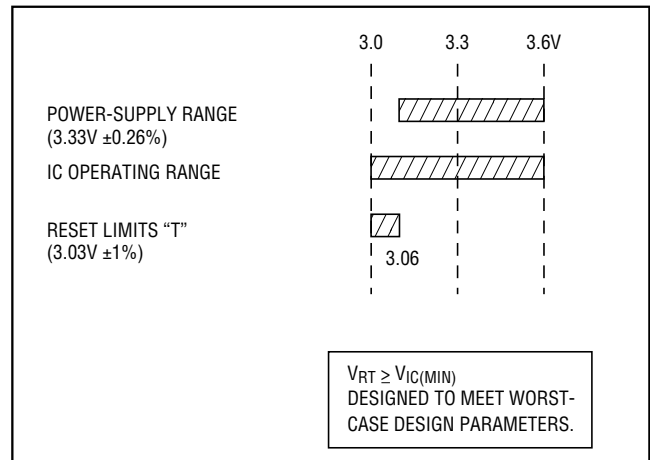


Figure 7d. T Suffix Design Range

±1% Accuracy, Low-Power, +3V and +5V μ P Supervisory Circuits

(V_{RT}) is greater than or equal to the minimum IC operating voltages (V_{ICMIN}). The 1% “L” series allows the use of a 5V \pm 5% power supply, and guarantees system operation over worst-case conditions, maximizing the Power-Supply Guard-Band Range.

T-suffix parts have a minimum reset threshold set to 3.00V, worst case. They are intended for 3.3V systems (3.33V \pm 0.26V) with a 7.8% or better power-supply tolerance. Typically, the reset threshold (V_{RT}) is greater than or equal to the minimum IC operating voltages (V_{ICMIN}).

The MAX816 has an adjustable reset threshold, set with an external resistive divider (Figure 3). The voltage on the RESET IN pin is monitored, not the voltage on VCC. The RESET IN threshold is 1.700V, and has very high impedance and 35nA maximum leakage. Calculate the trip point, V_{RT} , as follows:

$$V_{RT} = \frac{V_{RIT} \times (R1 + R2)}{R2}$$

where V_{RT} = the desired reset threshold, V_{RIT} is the RESET IN threshold (1.700V), R1 is the resistor connected between V_{RT} and RESET IN, and R2 is the resistor connected between RESET IN and GND.

Resistors R1 and R2 can have very high values. The usual procedure is to set R2 to some conveniently high value (100k Ω , for example) and calculate R1 based on the desired reset threshold, using the following formula:

$$R1 = R2 \times \left[\left(\frac{V_{RT}}{V_{RIT}} \right) - 1 \right]$$

The MAX816 can achieve \pm 1.2% accuracy with 0.1% resistors.

Watchdog Timer (MAX815)

The watchdog circuit monitors the μ P's activity. If the μ P does not toggle the watchdog input (WDI) within the watchdog timeout period (t_{WP}), \overline{WDO} goes low (Figure 8). \overline{WDO} also goes low during reset conditions. Whenever VCC is below the reset threshold, \overline{WDO} stays low; however, unlike \overline{RESET} , \overline{WDO} does not have a minimum pulse width. As soon as VCC rises above the reset threshold, \overline{WDO} goes high with no delay (Figure 9).

Typically, \overline{WDO} is connected to the non-maskable interrupt (NMI) of a μ P. When VCC drops below the reset threshold, \overline{WDO} goes low whether or not the watchdog timer has timed out (Figure 9). This would normally trigger an NMI interrupt, but \overline{RESET} goes low simultaneously and thus overrides the NMI interrupt.

Connecting \overline{WDO} to \overline{MR} enables the watchdog timeout to generate a reset in the MAX815.

Early Power-Fail Warning

Critical systems often require early warning to indicate when power is failing. This warning provides time for the μ P to store vital data and take care of any additional “housekeeping” before the power supply gets too far out of tolerance for the μ P to operate reliably.

Power-Fail Comparator

The power-fail comparator is intended as an undervoltage detector to signal a failing power supply. However, the comparator does not need to be dedicated to this function, because it is completely separate from the rest of the circuitry. To build an early-warning circuit for power failure, connect the PFI pin to a voltage divider (see Figures 1, 2, and 3). Choose the voltage divider ratio, so the voltage at PFI falls below V_{PFI} just before the monitored voltage drops out. Use \overline{PFO} to interrupt the μ P, so it can prepare for an orderly power-down.

The power-fail input (PFI) is compared to an internal reference. If the voltage on PFI is less than the power-fail reference, \overline{PFO} sinks at least 1.2mA to GND; otherwise it sources at least 300 μ A from VCC. The reference is 2.50V in the MAX814/MAX815 with K, L, N suffixes, or 1.70V with the T suffix. It is also 1.70V in the MAX816.

LOW LINE Output (MAX814)

The low-line detector is a separate comparator that monitors VCC with a typical threshold voltage of 60mV above the normal reset threshold, with 2mV of hysteresis (Figure 9). If VCC rises faster than 10 μ s/V, insert a 100pF capacitor from $\overline{LOW LINE}$ to GND to ensure proper start-up. For normal operation (VCC above the reset threshold), $\overline{LOW LINE}$ is pulled to VCC. Use $\overline{LOW LINE}$ to provide an NMI to the μ P when power begins to fall. In most battery-operated portable systems, reserve energy in the battery provides ample time to complete the shutdown routine once the low-line warning is encountered, and before reset asserts. If the system must also contend with a more rapid VCC fall time—such as when the main battery is disconnected or a high-side switch is opened during operation—use capacitance on the VCC line to provide time to execute the shutdown routine. First, calculate the worst-case time required for the system to perform its shutdown routine. Then use the worst-case shutdown time (t_{SHDN}), worst-case load current (I_{LOAD}), and minimum low-line to reset threshold (V_{LR}) to calculate the amount of capacitance required to allow the shutdown routine to complete before reset is asserted.

$$C_{HOLD} = \frac{I_{LOAD} \times t_{SHDN}}{V_{LR}}$$

±1% Accuracy, Low-Power, +3V and +5V μ P Supervisory Circuits

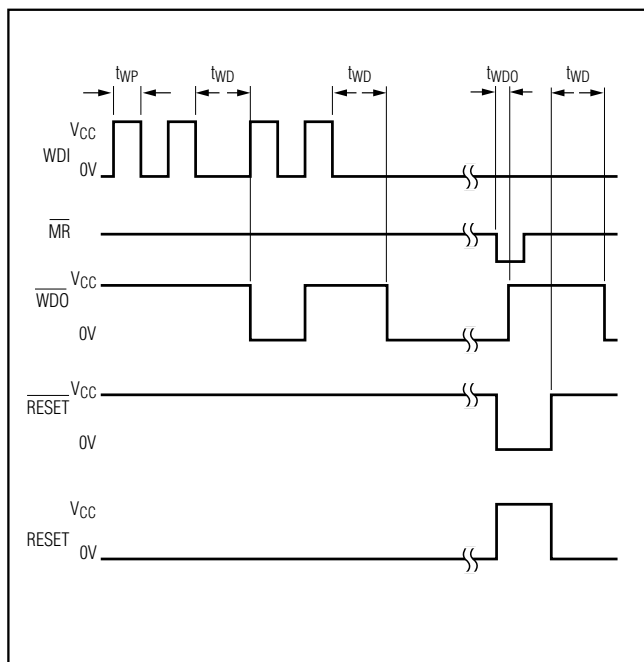


Figure 8. MAX815 Watchdog Timing

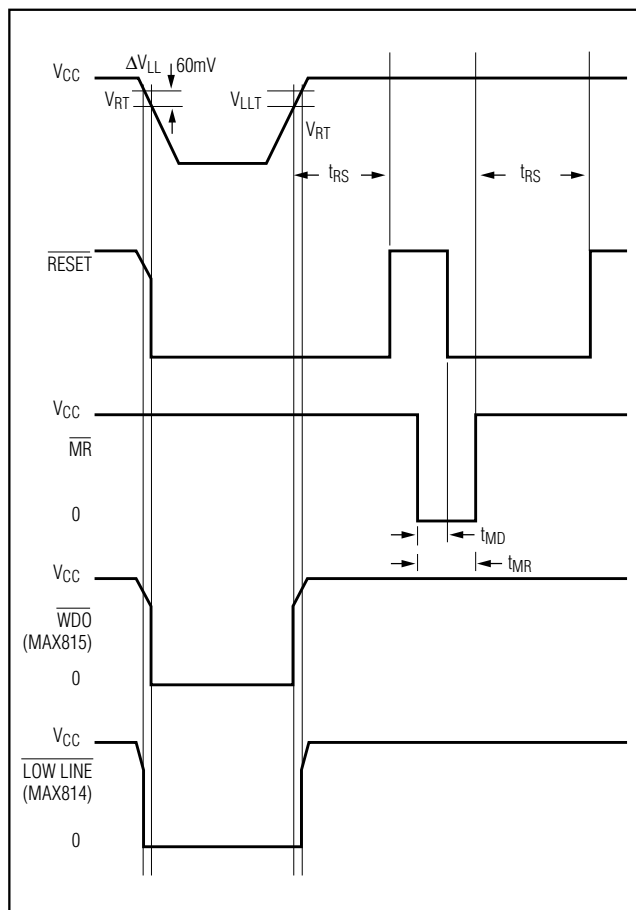


Figure 9. Timing Diagram

where C_{HOLD} is the capacitance (in Farads), I_{LOAD} is the current being drained from the capacitor (in Amperes), and V_{LR} is the low-line to reset threshold difference (in Volts).

Manual Reset

Many μ P-based products require manual-reset capability, allowing the operator, a test technician, or external logic circuitry to initiate a reset. A logic low on \overline{MR} asserts reset. Reset remains asserted while \overline{MR} is low, and for t_{RS} (200ms) after \overline{MR} returns high. This input has an internal pullup resistor, so it can be left open if not used. \overline{MR} can be driven with TTL/CMOS-logic levels or with open-drain/collector outputs.

Connect a normally open momentary switch from \overline{MR} to GND to create a manual-reset function; external debounce circuitry is not required.

The watchdog circuit can be used to force a reset in the MAX815 by connecting \overline{WDO} to \overline{MR} . If \overline{MR} is driven from long cables, or the device is used in a noisy environment, connect a 0.1 μ F capacitor to ground to provide additional noise immunity.

Applications Information

Low-Voltage Operation

The $\overline{LOW LINE}$, \overline{PFO} , and \overline{WDO} outputs will be locked to logic low when the power supply drops below the lock-out threshold (typically 1V below the reset threshold).

Ensuring a Valid RESET Output Down to $V_{CC} = 0V$

When V_{CC} falls below 1V, the \overline{RESET} output no longer sinks current, but becomes an open circuit. High-impedance CMOS-logic inputs can drift to undetermined voltages if left undriven. If a pull-down resistor is added to the \overline{RESET} pin as shown in Figure 10, any stray charge or leakage currents will be drained to ground, holding \overline{RESET} low. Resistor value $R1$ is not critical. It should be about 100k Ω —large enough not to load \overline{RESET} , and small enough to pull \overline{RESET} to ground.

±1% Accuracy, Low-Power, +3V and +5V μ P Supervisory Circuits



Figure 10. $\overline{\text{RESET}}$ Valid to Ground Circuit



Figure 11. Monitoring Both +5V and +12V

Monitoring Voltages Other than VCC

Monitor voltages other than the VCC by connecting a voltage divider to PFI and adjusting the ratio appropriately. If required, add hysteresis by connecting a resistor (with a value approximately 10-times the sum of the two resistors in the potential divider network) between PFI and $\overline{\text{PFO}}$. A capacitor between PFI and GND will reduce the power-fail circuit's sensitivity to high-frequency noise on the line being monitored. $\overline{\text{RESET}}$ can be asserted on other voltages in addition to the +5V VCC line. Connect $\overline{\text{PFO}}$ to $\overline{\text{MR}}$ to initiate a reset when PFI drops below 2.50V (K, L, N suffix) or 1.70V (T suffix or MAX816). Figure 11 shows the MAX814K/L/N/MAX815K/L/N configured to assert $\overline{\text{RESET}}$ when the +5V supply falls below the reset threshold, or when the +12V supply falls below approximately 11V.

Monitoring a Negative Voltage

The power-fail comparator can also monitor a negative supply rail (Figure 12). When the negative rail is good (a negative voltage of large magnitude), $\overline{\text{PFO}}$ is low. When the negative rail is degraded (a negative voltage of lesser magnitude), $\overline{\text{PFO}}$ is high. By adding the resistors and transistor as shown, a high $\overline{\text{PFO}}$ triggers reset. As long as $\overline{\text{PFO}}$ remains high, the MAX814/MAX815/MAX816 will keep reset asserted ($\overline{\text{RESET}}$ = low, RESET = high). Note that this circuit's accuracy depends on the PFI threshold tolerance, the VCC line, and the resistor.

Watchdog Software Considerations

A way to help the watchdog timer keep closer tabs on software execution involves setting and resetting the watchdog input at different points in the program, rather than pulsing the watchdog input high-low-high or low-high-low. This technique avoids a stuck loop where the watchdog timer continues to be reset within the loop, keeping the watchdog from timing out. Figure 13 shows an example flow diagram where the I/O driving the watchdog input is set low at the beginning of the program, set high at the beginning of every subroutine, then set low at the end of every subroutine. If the program should hang in any subroutine, the I/O is continually set high and the watchdog timer is allowed to time out, causing a reset to be issued.

±1% Accuracy, Low-Power, +3V and +5V μ P Supervisory Circuits

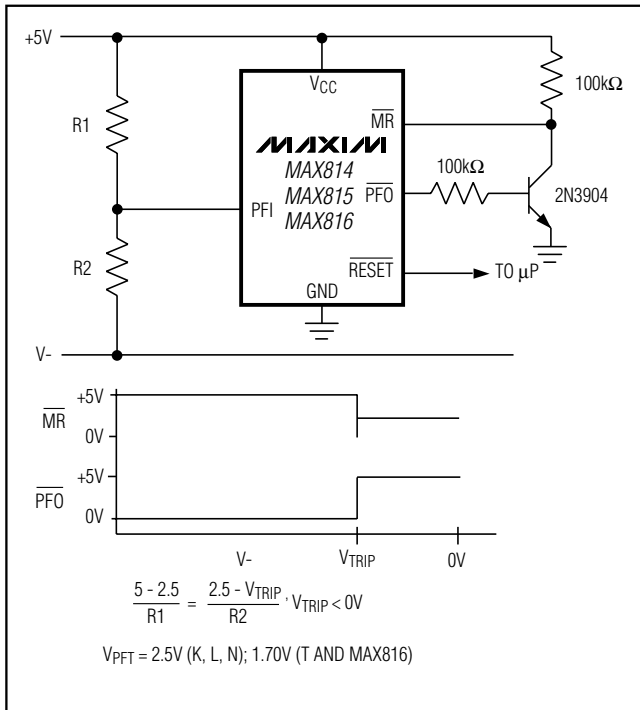


Figure 12. Monitoring a Negative Voltage



Figure 13. Flow Chart of WDI Implementation

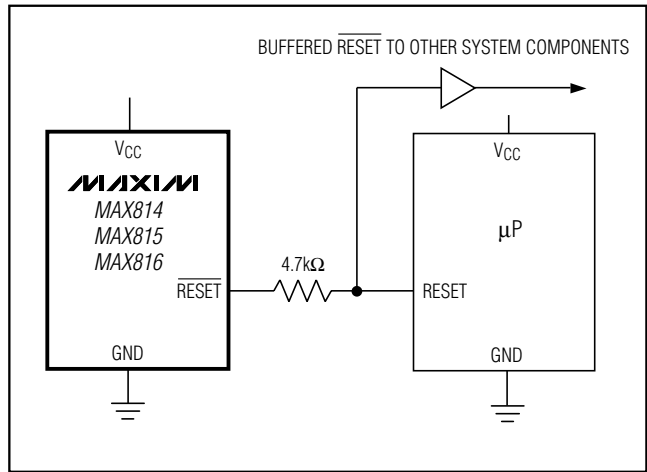


Figure 14. Interfacing to μ Ps with Bidirectional Reset I/O

Negative-Going VCC Transients

In addition to issuing a reset to the μ P during power-up, power-down, and brownout conditions, the MAX814/MAX815/MAX816 series is relatively immune to short duration negative-going VCC transients (glitches). The *Typical Operating Characteristics* show a graph of Maximum Transient Duration vs. Reset Comparator Overdrive, for which a reset is not generated. The graph was made using a negative-going pulse applied to VCC, starting 1.5V above the actual reset threshold and ending below it by the magnitude indicated (reset comparator overdrive). The graph indicates the typical maximum pulse width a negative-going VCC transient may have without causing a reset pulse. As the magnitude of the transient increases (goes further below the reset threshold), the maximum allowable pulse width decreases. Typically, a VCC that goes 100mV below the reset threshold and lasts 30 μ s or less will not cause a reset pulse to be issued.

A 0.1 μ F bypass capacitor mounted as close as possible to pin 2 (VCC) provides additional transient immunity.

Interfacing to μ Ps with Bidirectional Reset Pins

μ Ps with bidirectional reset pins, such as the Motorola 68HC11 series, can cause a conflict with the $\overline{\text{RESET}}$ output. If, for example, the $\overline{\text{RESET}}$ output is driven high and the μ P wants to pull it low, indeterminate logic levels may result. To correct this, connect a 4.7k Ω resistor between the $\overline{\text{RESET}}$ output and the μ P reset I/O, as in Figure 14. Buffer the $\overline{\text{RESET}}$ output to other system components.

±1% Accuracy, Low-Power, +3V and +5V μP Supervisory Circuits

MAX814/MAX815/MAX816

Ordering Information

| PART* | TEMP. RANGE | PIN-PACKAGE |
|-------------------|----------------|---------------|
| MAX814_CPA | 0°C to +70°C | 8 Plastic DIP |
| MAX814_CSA | 0°C to +70°C | 8 SO |
| MAX814_EPA | -40°C to +85°C | 8 Plastic DIP |
| MAX814_ESA | -40°C to +85°C | 8 SO |
| MAX815_CPA | 0°C to +70°C | 8 Plastic DIP |
| MAX815_CSA | 0°C to +70°C | 8 SO |
| MAX815_EPA | -40°C to +85°C | 8 Plastic DIP |
| MAX815_ESA | -40°C to +85°C | 8 SO |
| MAX816CPA | 0°C to +70°C | 8 Plastic DIP |
| MAX816CSA | 0°C to +70°C | 8 SO |
| MAX816EPA | -40°C to +85°C | 8 Plastic DIP |
| MAX816ESA | -40°C to +85°C | 8 SO |

*The MAX814/MAX815 offer a choice of reset threshold voltage. From the Reset Trip Threshold table, select the suffix corresponding to the desired threshold and insert it into the blank to complete the part number.

Devices are available in both leaded and lead-free packaging. Specify lead free by adding the + symbol at the end of the part number when ordering.

Reset Trip Thresholds

| MAX814/MAX815 | | |
|---------------|----------------------|---------|
| SUFFIX | RESET TRIP THRESHOLD | |
| | MIN (V) | MAX (V) |
| K | 4.75 | 4.85 |
| L | 4.65 | 4.75 |
| N | 4.50 | 4.60 |
| T | 3.00 | 3.06 |
| MAX816 | | |
| — | Adjustable | |

Chip Information

TRANSISTOR COUNT: 744

Revision History

Pages changed at Rev 1: 1-4, 12-16.

±1% Accuracy, Low-Power, +3V and +5V µP Supervisory Circuits

Package Information

(The package drawing(s) in this data sheet may not reflect the most current specifications. For the latest package outline information, go to www.maxim-ic.com/packages.)

**Plastic DIP
PLASTIC
DUAL-IN-LINE
PACKAGE
(0.300 in.)**

| DIM | INCHES | | MILLIMETERS | |
|-----|--------|-------|-------------|-------|
| | MIN | MAX | MIN | MAX |
| A | – | 0.200 | – | 5.08 |
| A1 | 0.015 | – | 0.38 | – |
| A2 | 0.125 | 0.175 | 3.18 | 4.45 |
| A3 | 0.055 | 0.080 | 1.40 | 2.03 |
| B | 0.016 | 0.022 | 0.41 | 0.56 |
| B1 | 0.045 | 0.065 | 1.14 | 1.65 |
| C | 0.008 | 0.012 | 0.20 | 0.30 |
| D1 | 0.005 | 0.080 | 0.13 | 2.03 |
| E | 0.300 | 0.325 | 7.62 | 8.26 |
| E1 | 0.240 | 0.310 | 6.10 | 7.87 |
| e | 0.100 | – | 2.54 | – |
| eA | 0.300 | – | 7.62 | – |
| eB | – | 0.400 | – | 10.16 |
| L | 0.115 | 0.150 | 2.92 | 3.81 |

| PKG. | DIM | PINS | INCHES | | MILLIMETERS | |
|------|-----|------|--------|-------|-------------|-------|
| | | | MIN | MAX | MIN | MAX |
| P | D | 8 | 0.348 | 0.390 | 8.84 | 9.91 |
| P | D | 14 | 0.735 | 0.765 | 18.67 | 19.43 |
| P | D | 16 | 0.745 | 0.765 | 18.92 | 19.43 |
| P | D | 18 | 0.885 | 0.915 | 22.48 | 23.24 |
| P | D | 20 | 1.015 | 1.045 | 25.78 | 26.54 |
| N | D | 24 | 1.14 | 1.265 | 28.96 | 32.13 |

21-0043A

**Narrow SO
SMALL-OUTLINE
PACKAGE
(0.150 in.)**

| DIM | INCHES | | MILLIMETERS | |
|-----|--------|-------|-------------|------|
| | MIN | MAX | MIN | MAX |
| A | 0.053 | 0.069 | 1.35 | 1.75 |
| A1 | 0.004 | 0.010 | 0.10 | 0.25 |
| B | 0.014 | 0.019 | 0.35 | 0.49 |
| C | 0.007 | 0.010 | 0.19 | 0.25 |
| E | 0.150 | 0.157 | 3.80 | 4.00 |
| e | 0.050 | | 1.27 | |
| H | 0.228 | 0.244 | 5.80 | 6.20 |
| L | 0.016 | 0.050 | 0.40 | 1.27 |

| DIM | PINS | INCHES | | MILLIMETERS | |
|-----|------|--------|-------|-------------|-------|
| | | MIN | MAX | MIN | MAX |
| D | 8 | 0.189 | 0.197 | 4.80 | 5.00 |
| D | 14 | 0.337 | 0.344 | 8.55 | 8.75 |
| D | 16 | 0.386 | 0.394 | 9.80 | 10.00 |

21-0041A

Maxim cannot assume responsibility for use of any circuitry other than circuitry entirely embodied in a Maxim product. No circuit patent licenses are implied. Maxim reserves the right to change the circuitry and specifications without notice at any time.

Looking for pricing, stock, or lifecycle information?

Click below to explore more details on WIN SOURCE:

 [View MAX816CSA+T on WIN SOURCE](#)

 [Maxim Integrated](#) Information

Optimize Your Supply Chain with WIN SOURCE Solutions

-  Global Sourcing Solution
-  Obsolete Management
-  Cost Control Management
-  Shortage Management
-  Alternative Solution
-  Excess Inventory Management