

2N6504 Series

Preferred Device

Silicon Controlled Rectifiers

Reverse Blocking Thyristors

Designed primarily for half-wave ac control applications, such as motor controls, heating controls and power supply crowbar circuits.

Features

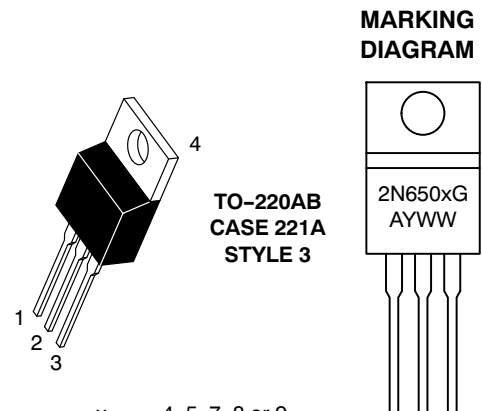
- Glass Passivated Junctions with Center Gate Fire for Greater Parameter Uniformity and Stability
- Small, Rugged, Thermowatt Constructed for Low Thermal Resistance, High Heat Dissipation and Durability
- Blocking Voltage to 800 Volts
- 300 A Surge Current Capability
- Pb-Free Packages are Available*



ON Semiconductor®

<http://onsemi.com>

SCRs
25 AMPERES RMS
50 thru 800 VOLTS



x = 4, 5, 7, 8 or 9
A = Assembly Location
Y = Year
WW = Work Week
G = Pb-Free Device

| PIN ASSIGNMENT | |
|----------------|---------|
| 1 | Cathode |
| 2 | Anode |
| 3 | Gate |
| 4 | Anode |

ORDERING INFORMATION

See detailed ordering and shipping information in the package dimensions section on page 6 of this data sheet.

Preferred devices are recommended choices for future use and best overall value.

*For additional information on our Pb-Free strategy and soldering details, please download the ON Semiconductor Soldering and Mounting Techniques Reference Manual, SOLDERRM/D.

2N6504 Series

MAXIMUM RATINGS (T_J = 25°C unless otherwise noted)

| Rating | Symbol | Value | Unit |
|---|--|--------------------------------|------|
| *Peak Repetitive Off-State Voltage (Note 1) (Gate Open, Sine Wave 50 to 60 Hz, T _J = 25 to 125°C) 2N6504 2N6505 2N6507 2N6508 2N6509 | V _{DRM} , V _{RRM} | 50 100 400 600 800 | V |
| On-State Current RMS (180° Conduction Angles; T _C = 85°C) | I _{T(RMS)} | 25 | A |
| Average On-State Current (180° Conduction Angles; T _C = 85°C) | I _{T(AV)} | 16 | A |
| Peak Non-repetitive Surge Current (1/2 Cycle, Sine Wave 60 Hz, T _J = 100°C) | I _{TSM} | 250 | A |
| Forward Peak Gate Power (Pulse Width ≤ 1.0 μs, T _C = 85°C) | P _{GM} | 20 | W |
| Forward Average Gate Power (t = 8.3 ms, T _C = 85°C) | P _{G(AV)} | 0.5 | W |
| Forward Peak Gate Current (Pulse Width ≤ 1.0 μs, T _C = 85°C) | I _{GM} | 2.0 | A |
| Operating Junction Temperature Range | T _J | -40 to +125 | °C |
| Storage Temperature Range | T _{stg} | -40 to +150 | °C |

Stresses exceeding Maximum Ratings may damage the device. Maximum Ratings are stress ratings only. Functional operation above the Recommended Operating Conditions is not implied. Extended exposure to stresses above the Recommended Operating Conditions may affect device reliability.

- V_{DRM} and V_{RRM} for all types can be applied on a continuous basis. Ratings apply for zero or negative gate voltage; however, positive gate voltage shall not be applied concurrent with negative potential on the anode. Blocking voltages shall not be tested with a constant current source such that the voltage ratings of the devices are exceeded.

THERMAL CHARACTERISTICS

| Characteristic | Symbol | Max | Unit |
|--|------------------|-----|------|
| *Thermal Resistance, Junction-to-Case | R _{θJC} | 1.5 | °C/W |
| *Maximum Lead Temperature for Soldering Purposes 1/8 in from Case for 10 Seconds | T _L | 260 | °C |

ELECTRICAL CHARACTERISTICS (T_C = 25°C unless otherwise noted.)

| Characteristic | Symbol | Min | Typ | Max | Unit |
|----------------|--------|-----|-----|-----|------|
|----------------|--------|-----|-----|-----|------|

OFF CHARACTERISTICS

| | | | | | |
|--|--|---|---|-----|----|
| *Peak Repetitive Forward or Reverse Blocking Current (V _{AK} = Rated V _{DRM} or V _{RRM} , Gate Open) | I _{DRM} , I _{RRM} | - | - | 10 | μA |
| T _J = 25°C | | | | | |
| T _J = 125°C | | - | - | 2.0 | mA |

ON CHARACTERISTICS

| | | | | | |
|--|-----------------|-----|-----|-----|----|
| *Forward On-State Voltage (Note 2) (I _{TM} = 50 A) | V _{TM} | - | - | 1.8 | V |
| *Gate Trigger Current (Continuous dc) (V _{AK} = 12 Vdc, R _L = 100 Ω) | I _{GT} | - | 9.0 | 30 | mA |
| T _C = 25°C | | | | | |
| T _C = -40°C | | - | - | 75 | |
| *Gate Trigger Voltage (Continuous dc) (V _{AK} = 12 Vdc, R _L = 100 Ω, T _C = -40°C) | V _{GT} | - | 1.0 | 1.5 | V |
| Gate Non-Trigger Voltage (V _{AK} = 12 Vdc, R _L = 100 Ω, T _J = 125°C) | V _{GD} | 0.2 | - | - | V |
| *Holding Current (V _{AK} = 12 Vdc, Initiating Current = 200 mA, Gate Open) | I _H | - | 18 | 40 | mA |
| T _C = 25°C | | | | | |
| T _C = -40°C | | - | - | 80 | |
| *Turn-On Time (I _{TM} = 25 A, I _{GT} = 50 mAdc) | t _{gt} | - | 1.5 | 2.0 | μs |
| Turn-Off Time (V _{DRM} = rated voltage) (I _{TM} = 25 A, I _R = 25 A) (I _{TM} = 25 A, I _R = 25 A, T _J = 125°C) | t _q | - | 15 | - | μs |
| | | - | 35 | - | |

DYNAMIC CHARACTERISTICS

| | | | | | |
|---|-------|---|----|---|------|
| Critical Rate of Rise of Off-State Voltage (Gate Open, Rated V _{DRM} , Exponential Waveform) | dv/dt | - | 50 | - | V/μs |
|---|-------|---|----|---|------|

*Indicates JEDEC Registered Data.

- Pulse Test: Pulse Width ≤ 300 μs, Duty Cycle ≤ 2%.

2N6504 Series

Voltage Current Characteristic of SCR

| Symbol | Parameter |
|-----------|---|
| V_{DRM} | Peak Repetitive Off State Forward Voltage |
| I_{DRM} | Peak Forward Blocking Current |
| V_{RRM} | Peak Repetitive Off State Reverse Voltage |
| I_{RRM} | Peak Reverse Blocking Current |
| V_{TM} | Peak On State Voltage |
| I_H | Holding Current |

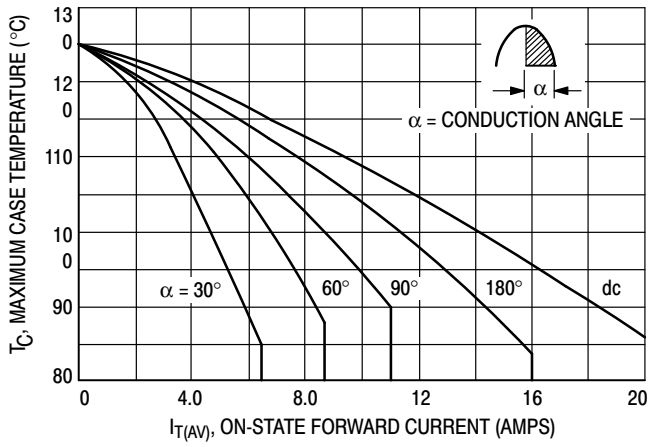
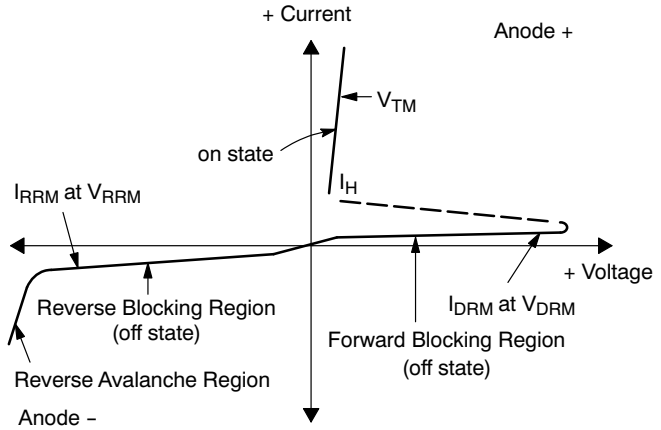


Figure 1. Average Current Derating

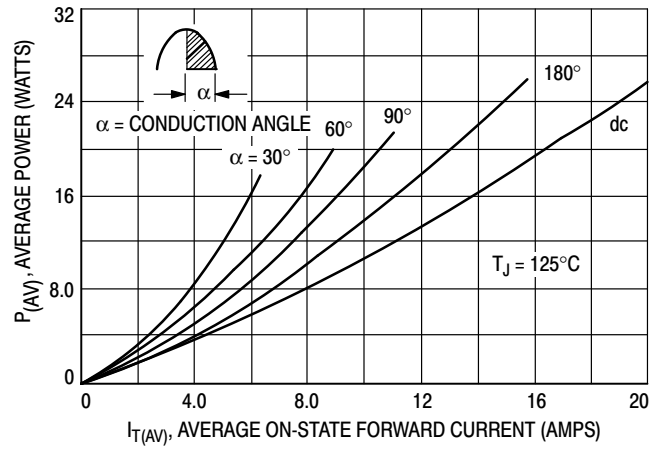


Figure 2. Maximum On-State Power Dissipation

2N6504 Series

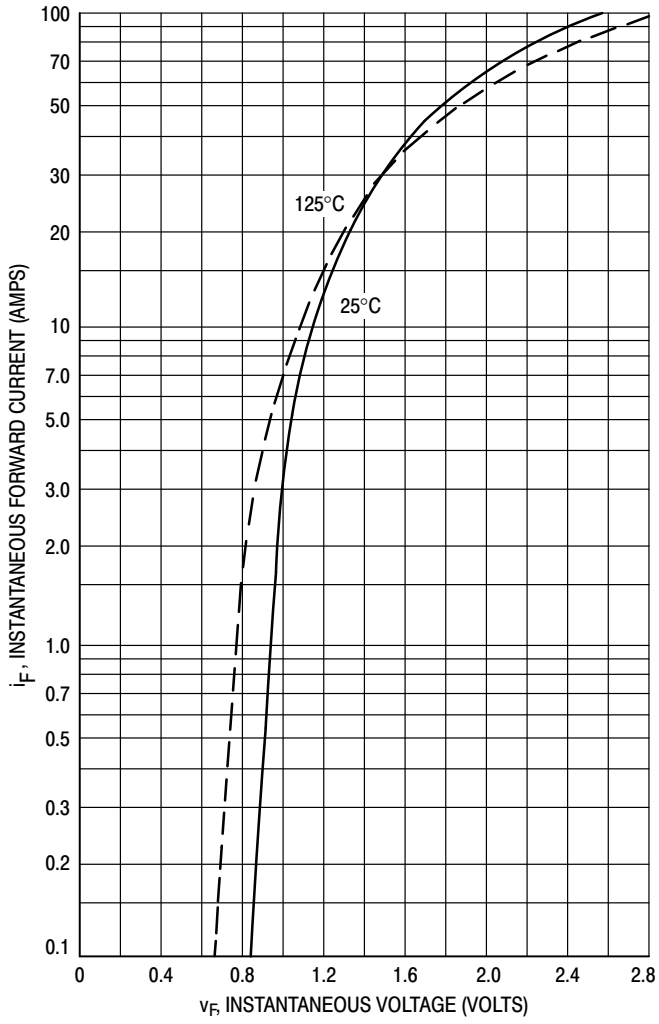


Figure 3. Typical On-State Characteristics

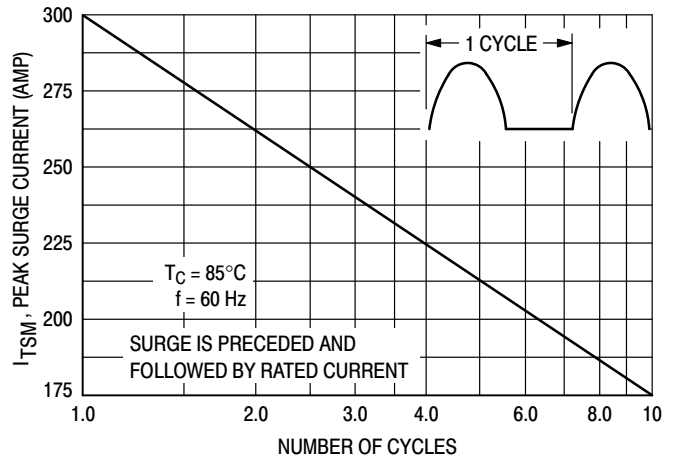


Figure 4. Maximum Non-Repetitive Surge Current

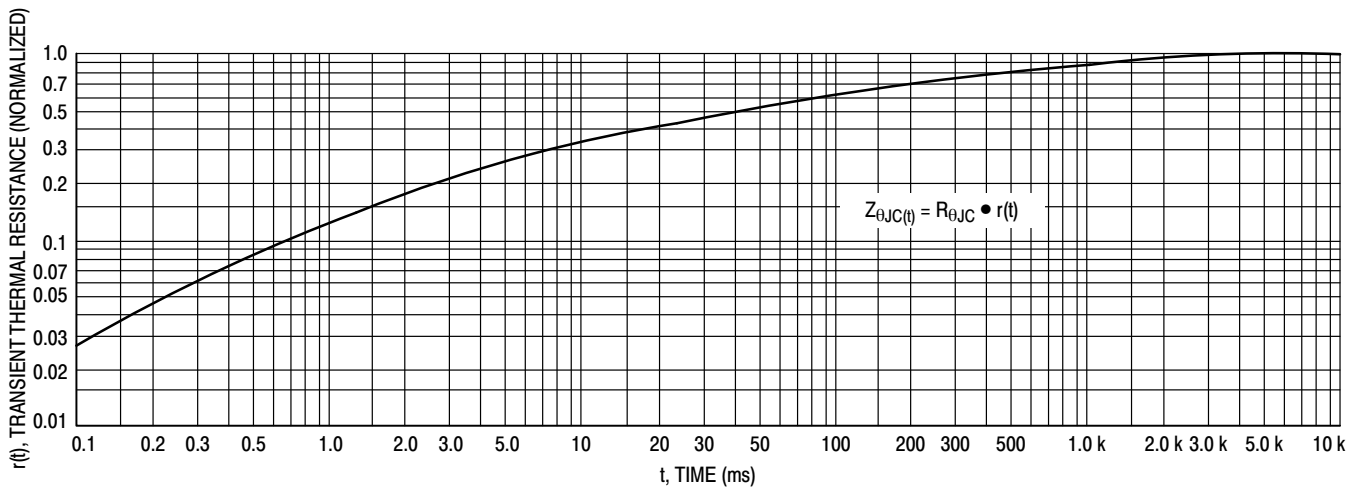


Figure 5. Thermal Response

2N6504 Series

TYPICAL TRIGGER CHARACTERISTICS

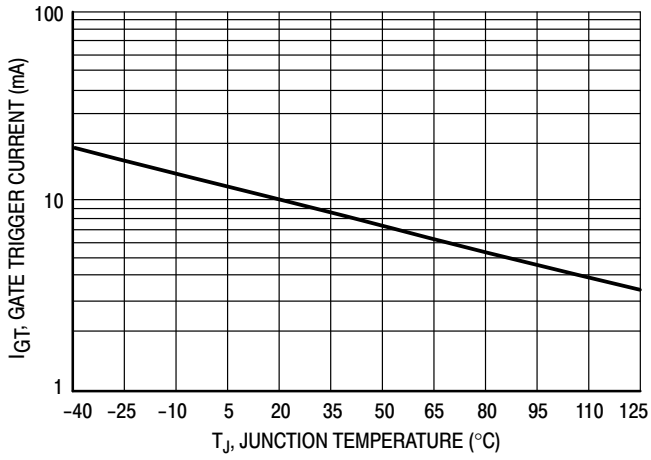


Figure 6. Typical Gate Trigger Current versus Junction Temperature

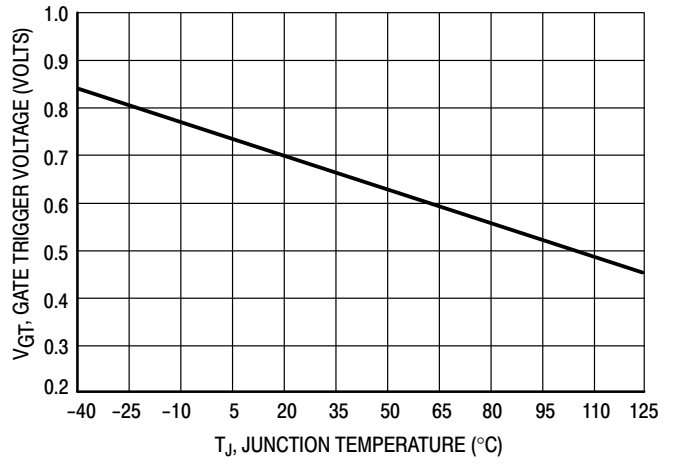


Figure 7. Typical Gate Trigger Voltage versus Junction Temperature

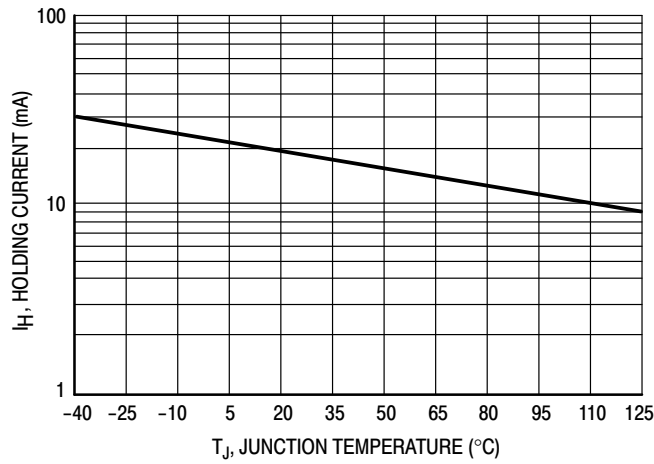


Figure 8. Typical Holding Current versus Junction Temperature

2N6504 Series

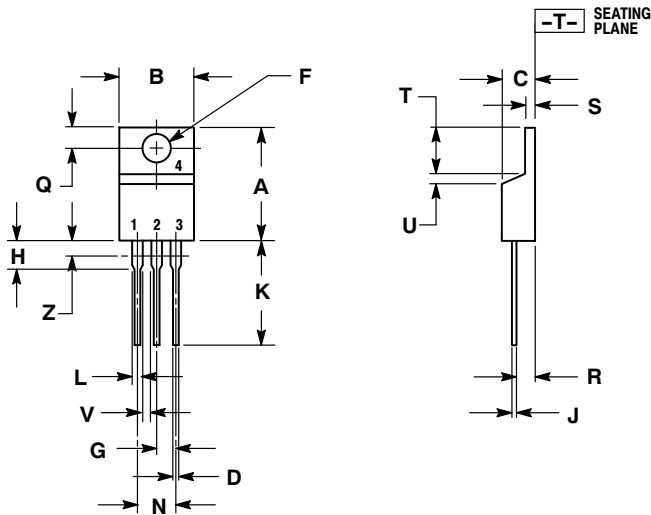
ORDERING INFORMATION

| Device | Package | Shipping |
|----------|-----------------------|-----------------|
| 2N6504 | TO-220AB | 500 Units / Box |
| 2N6504G | TO-220AB (Pb-Free) | |
| 2N6505 | TO-220AB | |
| 2N6505G | TO-220AB (Pb-Free) | |
| 2N6505T | TO-220AB | 50 Units / Rail |
| 2N6505TG | TO-220AB (Pb-Free) | |
| 2N6507 | TO-220AB | 500 Units / Box |
| 2N6507G | TO-220AB (Pb-Free) | |
| 2N6507T | TO-220AB | 50 Units / Rail |
| 2N6507TG | TO-220AB (Pb-Free) | |
| 2N6508 | TO-220AB | 500 Units / Box |
| 2N6508G | TO-220AB (Pb-Free) | |
| 2N6508TG | TO-220AB (Pb-Free) | 50 Units / Rail |
| 2N6509 | TO-220AB | 500 Units / Box |
| 2N6509G | TO-220AB (Pb-Free) | |
| 2N6509T | TO-220AB | 50 Units / Rail |
| 2N6509TG | TO-220AB (Pb-Free) | |

2N6504 Series

PACKAGE DIMENSIONS

TO-220AB CASE 221A-07 ISSUE AA



- NOTES:
1. DIMENSIONING AND TOLERANCING PER ANSI Y14.5M, 1982.
 2. CONTROLLING DIMENSION: INCH.
 3. DIMENSION Z DEFINES A ZONE WHERE ALL BODY AND LEAD IRREGULARITIES ARE ALLOWED.

| DIM | INCHES | | MILLIMETERS | |
|-----|--------|-------|-------------|-------|
| | MIN | MAX | MIN | MAX |
| A | 0.570 | 0.620 | 14.48 | 15.75 |
| B | 0.380 | 0.405 | 9.66 | 10.28 |
| C | 0.160 | 0.190 | 4.07 | 4.82 |
| D | 0.025 | 0.035 | 0.64 | 0.88 |
| F | 0.142 | 0.147 | 3.61 | 3.73 |
| G | 0.095 | 0.105 | 2.42 | 2.66 |
| H | 0.110 | 0.155 | 2.80 | 3.93 |
| J | 0.014 | 0.022 | 0.36 | 0.55 |
| K | 0.500 | 0.562 | 12.70 | 14.27 |
| L | 0.045 | 0.060 | 1.15 | 1.52 |
| N | 0.190 | 0.210 | 4.83 | 5.33 |
| Q | 0.100 | 0.120 | 2.54 | 3.04 |
| R | 0.080 | 0.110 | 2.04 | 2.79 |
| S | 0.045 | 0.055 | 1.15 | 1.39 |
| T | 0.235 | 0.255 | 5.97 | 6.47 |
| U | 0.000 | 0.050 | 0.00 | 1.27 |
| V | 0.045 | --- | 1.15 | --- |
| Z | --- | 0.080 | --- | 2.04 |

- STYLE 3:
1. CATHODE
 2. ANODE
 3. GATE
 4. ANODE

ON Semiconductor and are registered trademarks of Semiconductor Components Industries, LLC (SCILLC). SCILLC reserves the right to make changes without further notice to any products herein. SCILLC makes no warranty, representation or guarantee regarding the suitability of its products for any particular purpose, nor does SCILLC assume any liability arising out of the application or use of any product or circuit, and specifically disclaims any and all liability, including without limitation special, consequential or incidental damages. "Typical" parameters which may be provided in SCILLC data sheets and/or specifications can and do vary in different applications and actual performance may vary over time. All operating parameters, including "Typicals" must be validated for each customer application by customer's technical experts. SCILLC does not convey any license under its patent rights nor the rights of others. SCILLC products are not designed, intended, or authorized for use as components in systems intended for surgical implant into the body, or other applications intended to support or sustain life, or for any other application in which the failure of the SCILLC product could create a situation where personal injury or death may occur. Should Buyer purchase or use SCILLC products for any such unintended or unauthorized application, Buyer shall indemnify and hold SCILLC and its officers, employees, subsidiaries, affiliates, and distributors harmless against all claims, costs, damages, and expenses, and reasonable attorney fees arising out of, directly or indirectly, any claim of personal injury or death associated with such unintended or unauthorized use, even if such claim alleges that SCILLC was negligent regarding the design or manufacture of the part. SCILLC is an Equal Opportunity/Affirmative Action Employer. This literature is subject to all applicable copyright laws and is not for resale in any manner.

PUBLICATION ORDERING INFORMATION

LITERATURE FULFILLMENT:
Literature Distribution Center for ON Semiconductor
P.O. Box 5163, Denver, Colorado 80217 USA
Phone: 303-675-2175 or 800-344-3860 Toll Free USA/Canada
Fax: 303-675-2176 or 800-344-3867 Toll Free USA/Canada
Email: orderlit@onsemi.com

N. American Technical Support: 800-282-9855 Toll Free USA/Canada
Europe, Middle East and Africa Technical Support:
Phone: 421 33 790 2910
Japan Customer Focus Center
Phone: 81-3-5773-3850

ON Semiconductor Website: www.onsemi.com
Order Literature: <http://www.onsemi.com/orderlit>
For additional information, please contact your local Sales Representative

Looking for pricing, stock, or lifecycle information?

Click below to explore more details on WIN SOURCE:

 [View 2N6509TG on WIN SOURCE](#)

 [Littelfuse Inc. Information](#)

Optimize Your Supply Chain with WIN SOURCE Solutions

-  Global Sourcing Solution
-  Obsolete Management
-  Cost Control Management
-  Shortage Management
-  Alternative Solution
-  Excess Inventory Management