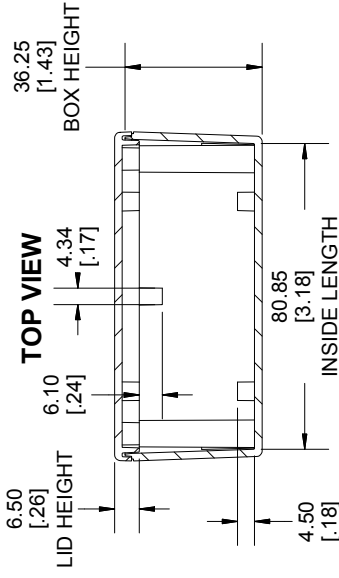
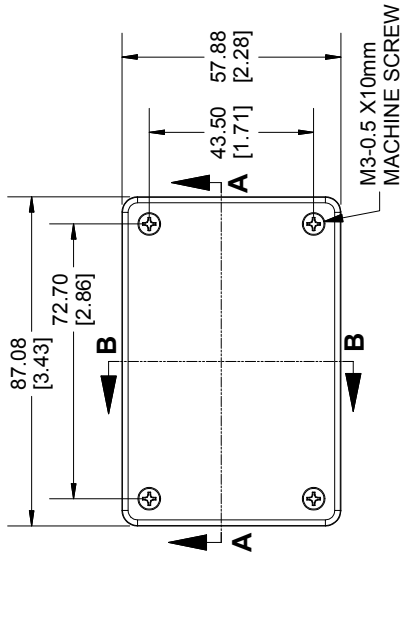


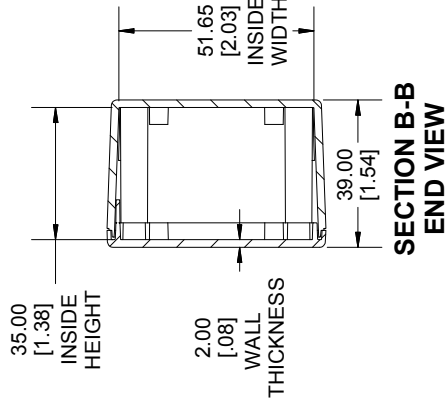


**THE DATASHEET OF
1591XXLBK**

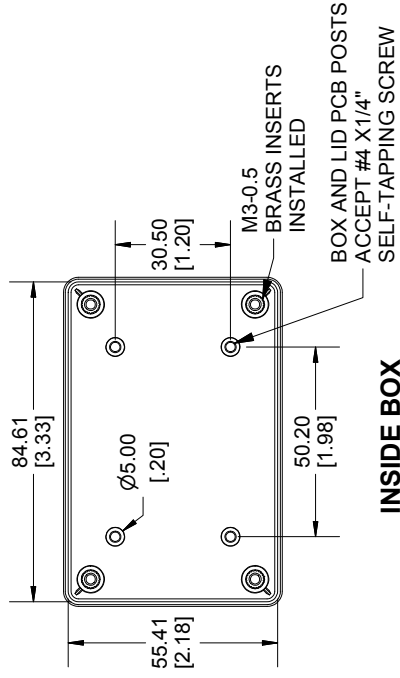
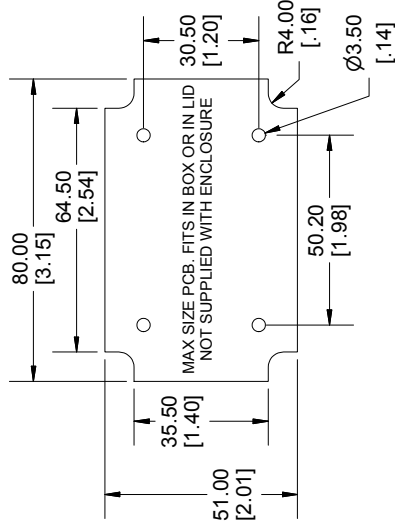




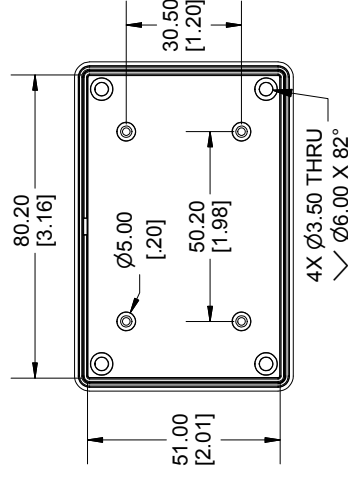
**SECTION A-A
SIDE VIEW**



**SECTION B-B
END VIEW**

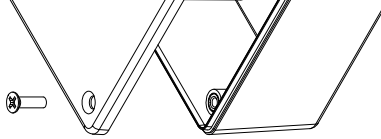


INSIDE BOX



INSIDE LID

Dimensions:
mm
[inches]



Enclosures can be
Contact Factory
Solid models of this
(Part number and text placed
we do not recommend using

Purchased assembly incl
Enclosure molded from P
Other materials / colours
Recomm



Black Textured Enclosure
Clay Textured Enclosure

Black Cover Screws [M3]
Plated Cover Screws [M3]
P.C. Board Screws
[#4 x 1/4" self-tapping (6



Looking for pricing, stock, or lifecycle information?

Click below to explore more details on WIN SOURCE:

-  [View 1591XXLBK on WIN SOURCE](#)
-  [Hammond Manufacturing Information](#)

Optimize Your Supply Chain with WIN SOURCE Solutions

-  Global Sourcing Solution
-  Obsolete Management
-  Cost Control Management
-  Shortage Management
-  Alternative Solution
-  Excess Inventory Management