

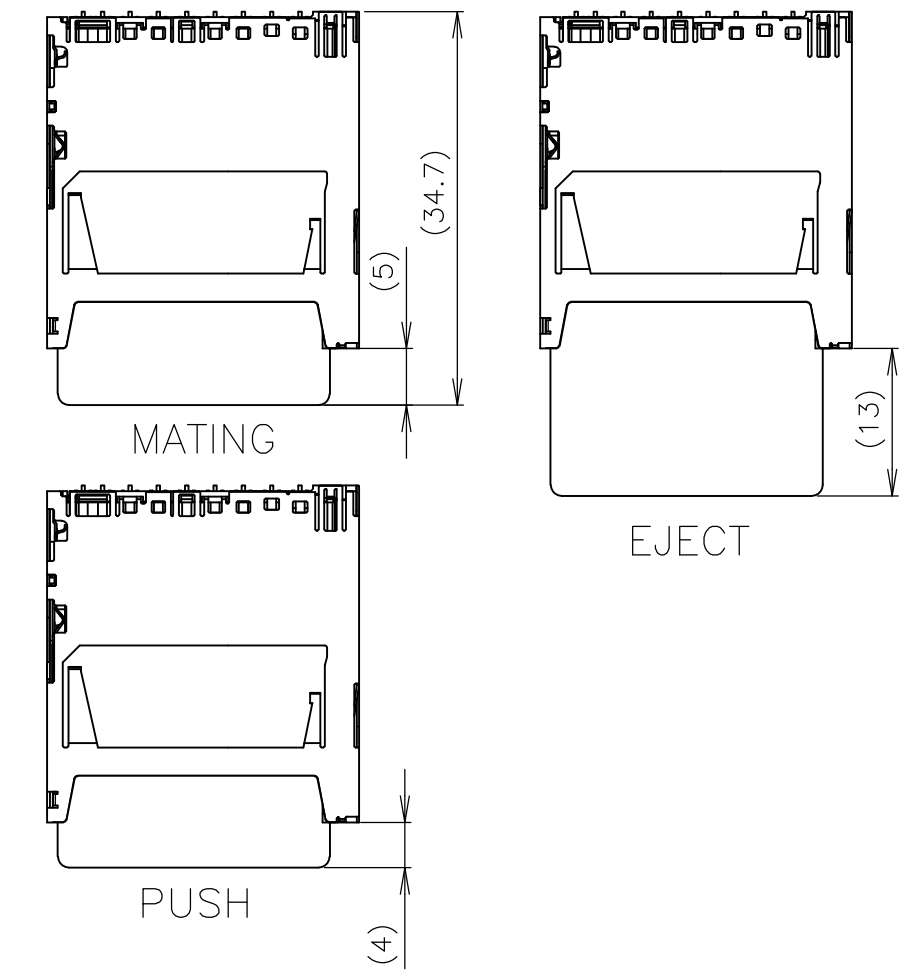
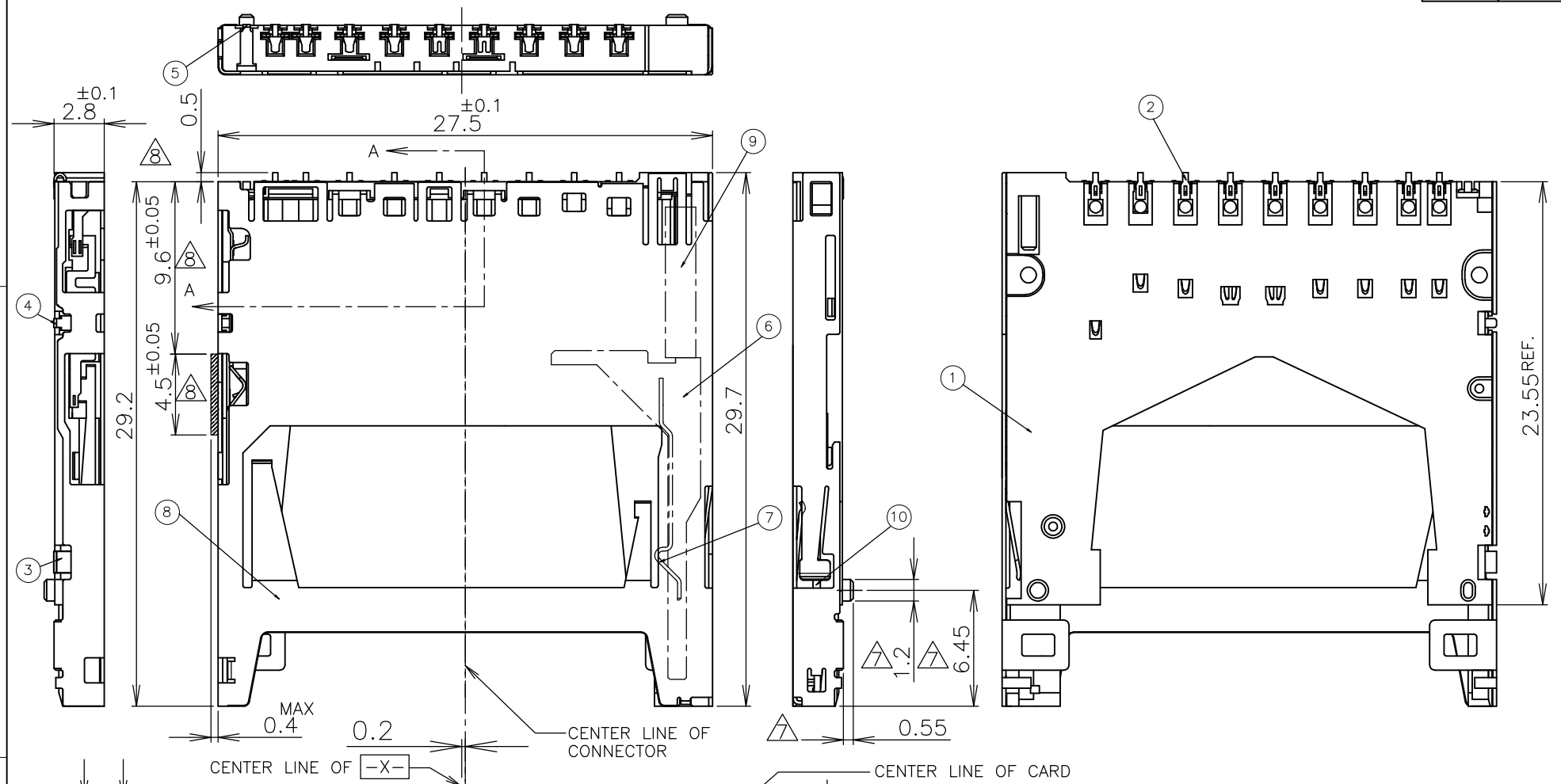


THE DATASHEET OF
1939115-1



THIS DRAWING IS UNPUBLISHED. RELEASED FOR PUBLICATION MAR , 2003.
 © COPYRIGHT 2004 By Tyco Electronics JAPAN G.K. ALL RIGHTS RESERVED.

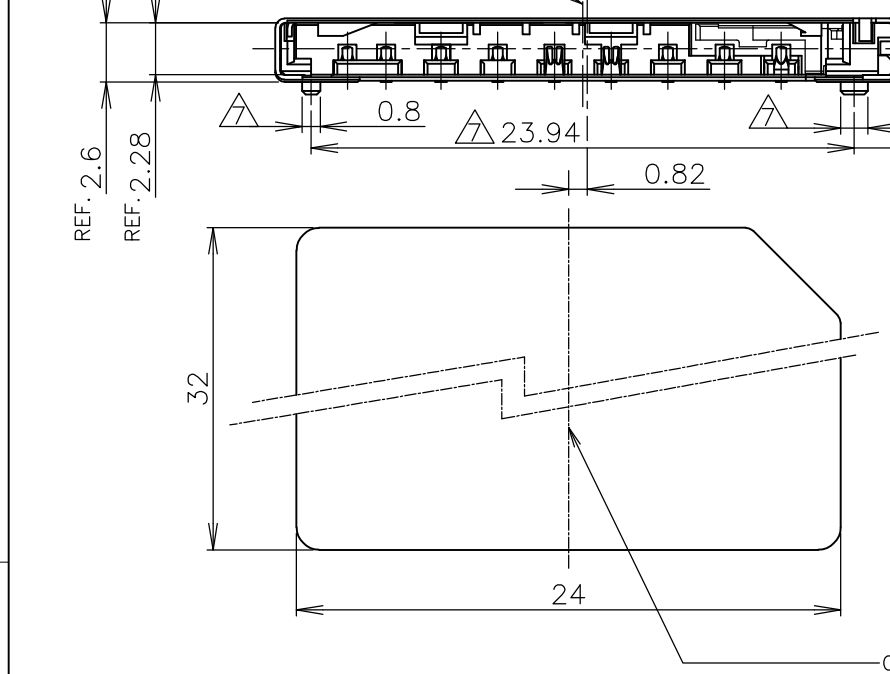
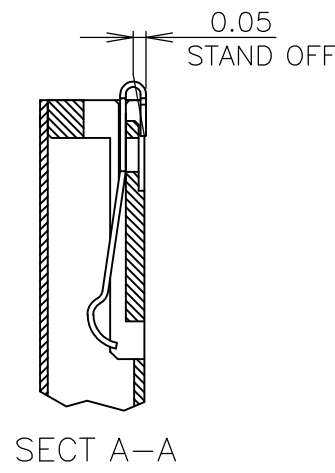
LOC	DIST	REVISIONS					
J	/	P	LTR	DESCRIPTION	DATE	DWN	APVD
		D		REVISED	23JUN2014	J.T	K.K



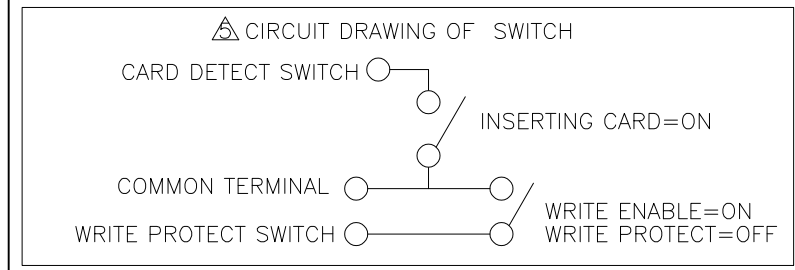
CARD LOCATION WHEN OPERATING

ITEM	DESCRIPTION	MATERIAL	FINISH	QTY
⑩	CAM ROD	SUS	-	1
⑨	COIL SPRING	SWP	-	1
⑧	SHELL	COPPER ALLOY	TIN PLATE	1
⑦	HOOK SPRING	SUS	-	1
⑥	SLIDER	THERMOPLASTIC	-	1
⑤	SWITCH C	COPPER ALLOY	Au ON CONTACT AREA OVER Ni AND Sn ON SOLDER TINE OVER Ni.	1
④	SWITCH B	COPPER ALLOY	Au ON CONTACT AREA AND SOLDER TINE OVER Ni.	1
③	SWITCH A	COPPER ALLOY	Au ON CONTACT AREA OVER Ni AND Sn ON SOLDER TINE OVER Ni.	1
②	CONTACT	COPPER ALLOY	Au ON CONTACT AREA OVER Ni AND Sn ON SOLDER TINE OVER Ni.	1
①	HOUSING	THERMOPLASTIC	-	1
⑨	MATERIAL		⑨ FINISH	QTY

- △ PAD FOR CARD DETECT SWITCH
- △ PAD FOR COMMON TERMINAL
- △ PAD FOR WRITE PROTECT SWITCH
- 4 THE SEQUENCE OF CONTACT DURING CARD INSERTION
 PIN #3,4 — PIN #2,5,6,7,8,9
 CARD DETECT SWITCH — PIN #1 ←
- △ CIRCUIT DRAWING OF SWITCH
- 6 DON'T WASH BY IMMERSING THE CONNECTOR IN FLUID
- △ NO APPLIED TO WITHOUT BOSS TYPE.
- △ SWITCH MOVING AREA
- △ REFER TO THE TABLE FOR MATERIAL AND FINISH.
- 10 COPLANNARITY:0.1MAX.
- 11 PLEASE MOUNT THE SAMPLE AND CONFIRM THE PRESENCE OF TROUBLE.
- 12 ADAPTABLE CARD : SD CARD IN ACCORDANCE WITH STANDARD OF SDA.



CENTER LINE OF CARD
 -1, -2 : AS SHOWN



IMPOSSIBLE	WITHOUT	1939115-4
IMPOSSIBLE	WITH	1939115-3
POSSIBLE	WITHOUT	1939115-2
POSSIBLE	WITH	1939115-1
REVERSE REFLOW	BOSS	PART NUMBER

THIS DRAWING IS A CONTROLLED DOCUMENT.

DWN T.AOKI 24OCT2005
 CHK Y.UCHIKAWA 24OCT2005
 APVD T.KUSUHARA 24OCT2005

TE Connectivity

SD MEMORY CARD CONNECTOR
 PUSH PUSH TYPE

NAME

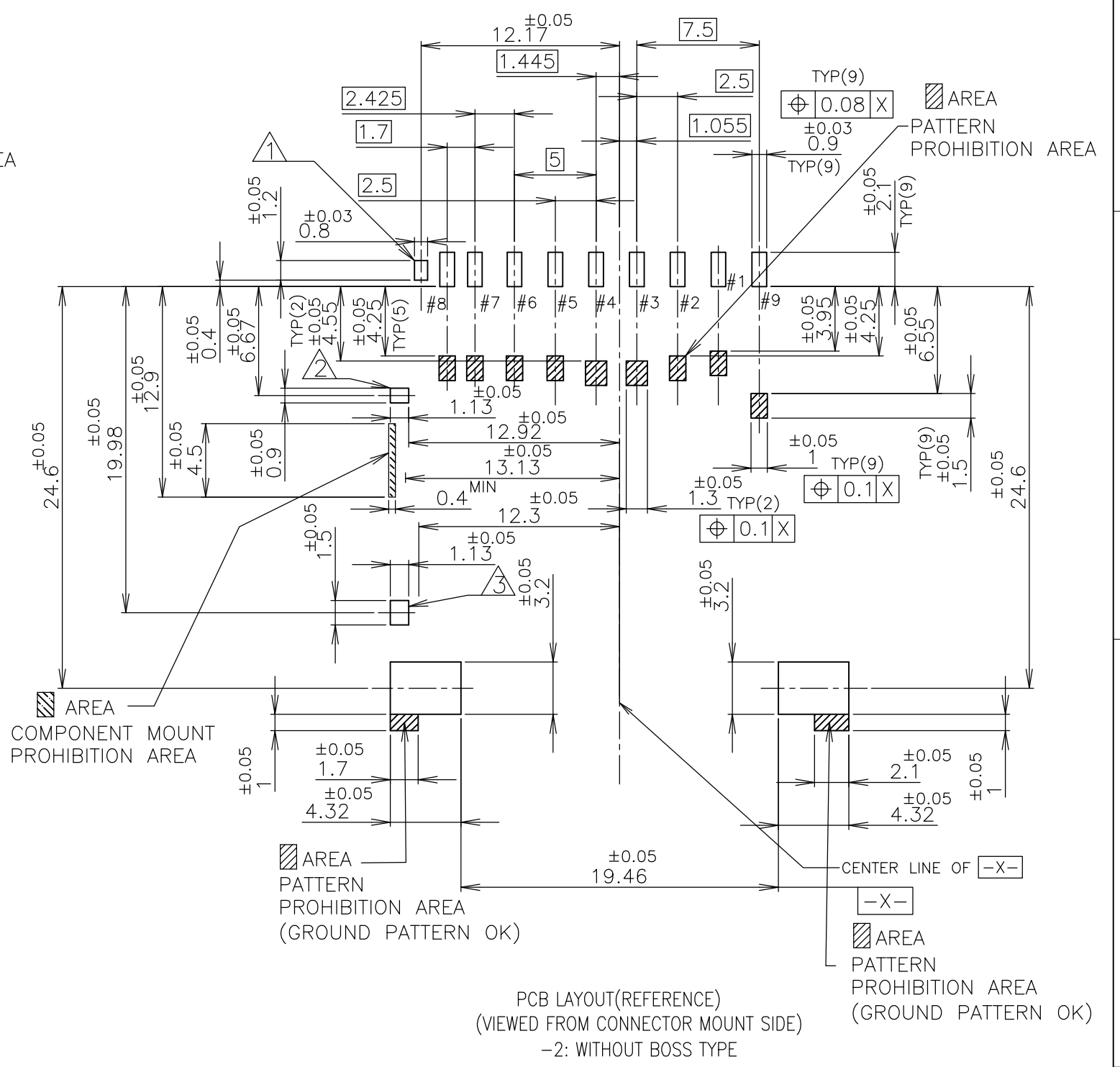
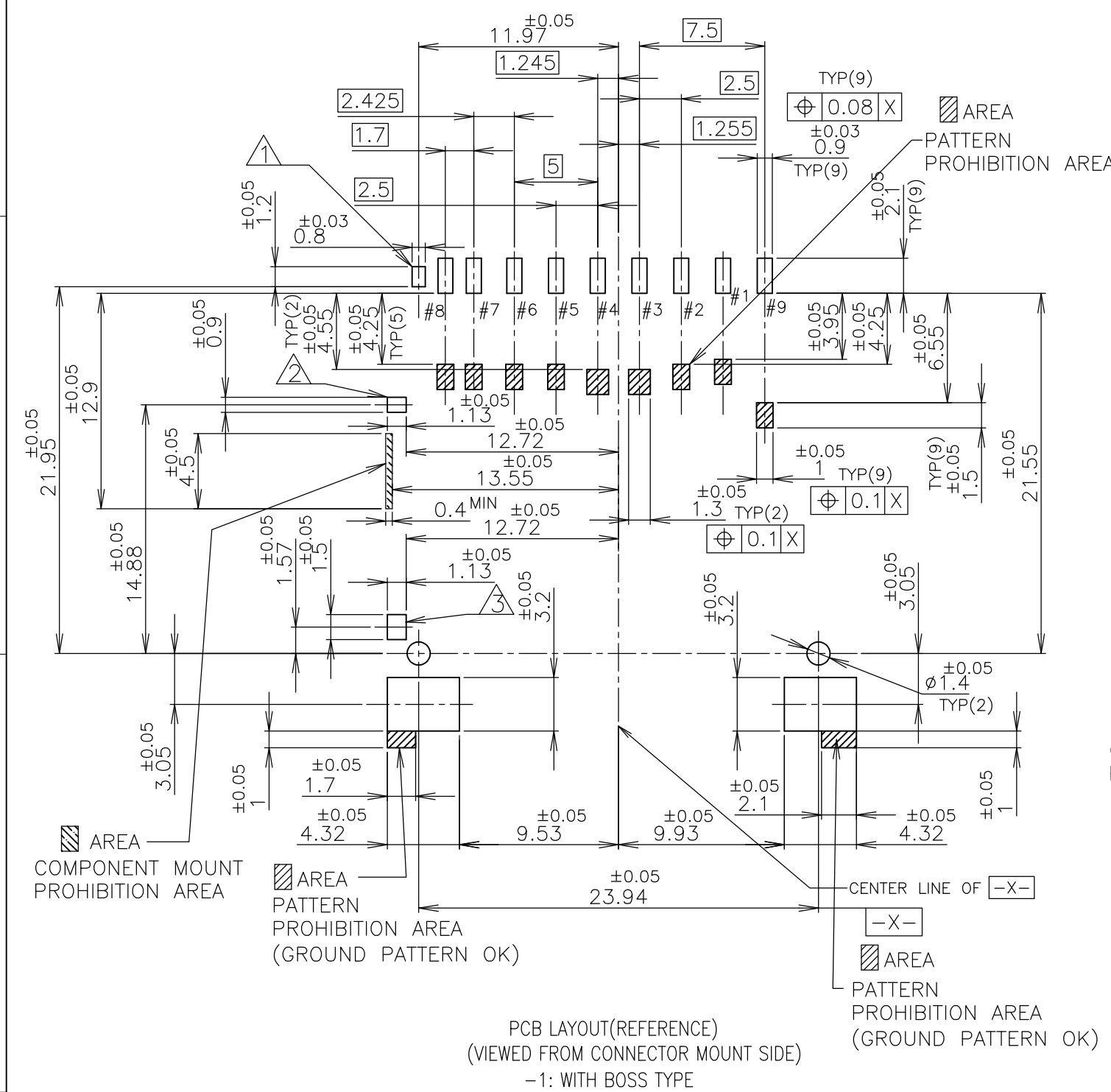
SIZE A3 CAGE CODE 00779 DRAWING NO C-1939115 RESTRICTED TO

SCALE 3:1 SHEET 1 OF 6 REV D

CUSTOMER DRAWING

THIS DRAWING IS UNPUBLISHED. RELEASED FOR PUBLICATION MAR ,2003.
 © COPYRIGHT 2004 By Tyco Electronics JAPAN G.K. ALL RIGHTS RESERVED.

LOC	DIST	REVISIONS		
		P	LTR	DESCRIPTION
J	/	-	-	SEE SHEET 1
				DATE
				DWN
				APVD



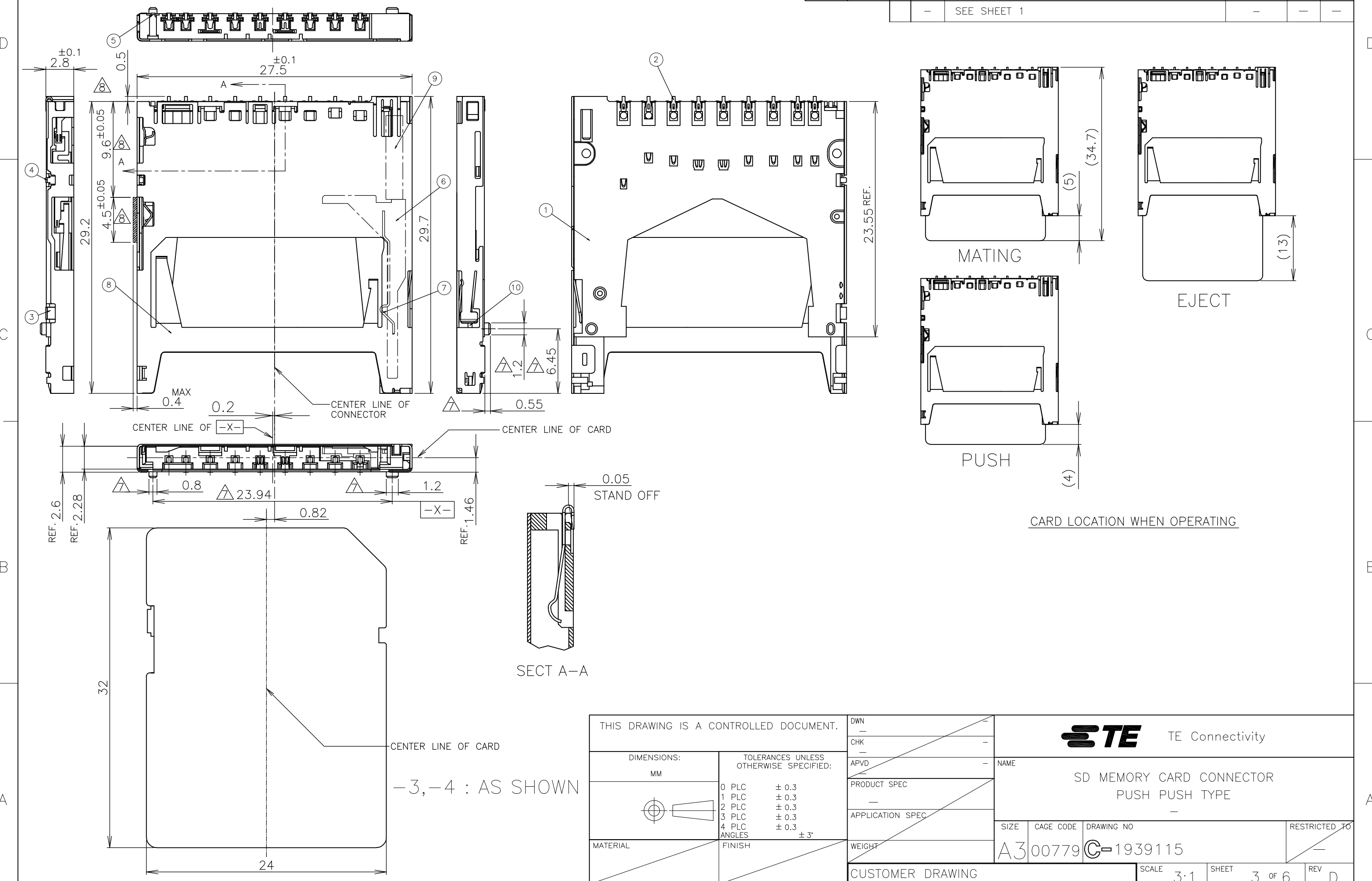
- ▲ カード認識スイッチ用パッド
- ▲ コモン端子用パッド
- ▲ ライトプロテクトスイッチ用パッド
- 4 カード挿入時の接触の順番
PIN #3,4 — PIN #2,5,6,7,8,9
カード認識スイッチ — PIN #1
- ▲ スwitchの回路図
- 6 本製品は浸漬による洗浄は行わないこと。
- ▲ ボス無しタイプには、適用なし。
- ▲ スwitch可動エリア
- ▲ 材料&仕上げはテーブルを参照のこと。
- 10 コプラナリティ: 0.1mm以下。

11 サンプルを実装して不具合の有無を確認して下さい。
 12 対応カード: SDAの規格に準拠したSDカード

THIS DRAWING IS A CONTROLLED DOCUMENT.		DWN		TE Connectivity SD MEMORY CARD CONNECTOR PUSH PUSH TYPE	
DIMENSIONS: MM		CHK			
TOLERANCES UNLESS OTHERWISE SPECIFIED:		APVD			
0 PLC ± 0.3 1 PLC ± 0.3 2 PLC ± 0.3 3 PLC ± 0.3 4 PLC ± 0.3 ANGLES ± 3°		NAME			
MATERIAL		FINISH		PRODUCT SPEC	
				APPLICATION SPEC	
				SIZE	CAGE CODE
				DRAWING NO	
				RESTRICTED TO	
				A300779 C-1939115	
				SCALE	SHEET
				3:1	2 OF 6
				REV	D
				CUSTOMER DRAWING	

THIS DRAWING IS UNPUBLISHED. RELEASED FOR PUBLICATION MAR , 2003.
 © COPYRIGHT 2004 By Tyco Electronics JAPAN G.K. ALL RIGHTS RESERVED.

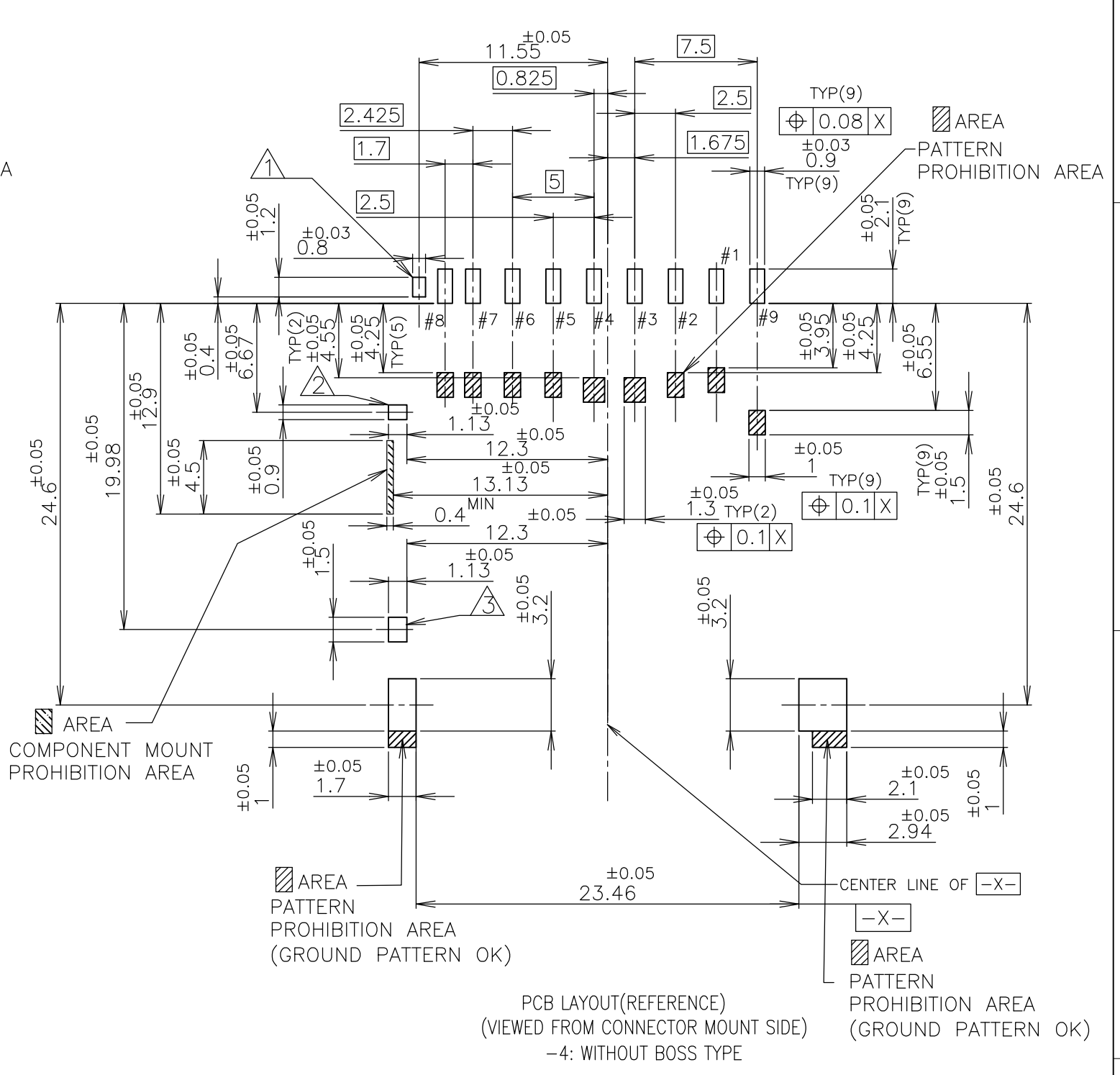
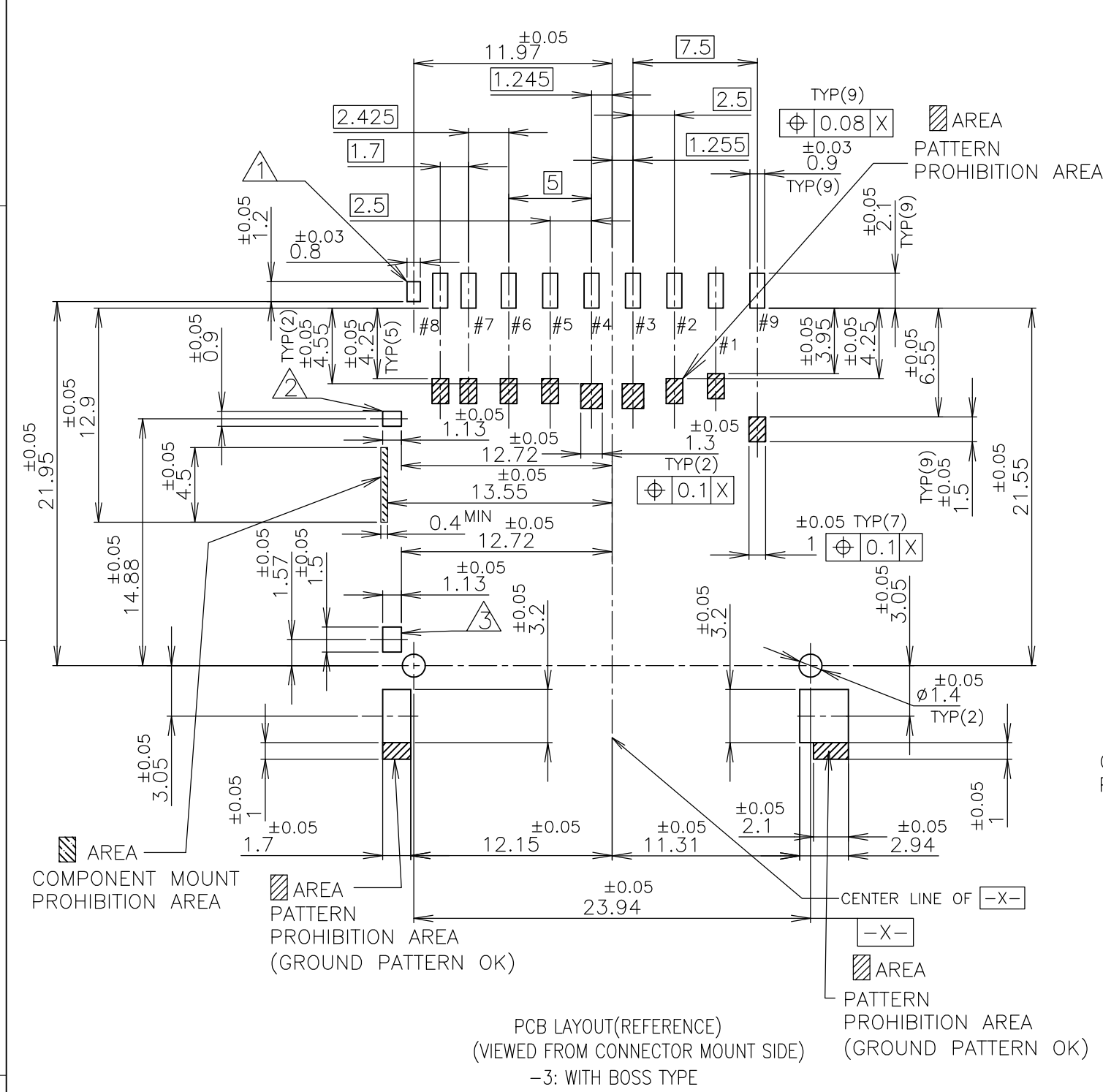
LOC	DIST	REVISIONS			
P	LTR	DESCRIPTION	DATE	DWN	APVD
J	/	SEE SHEET 1	-	-	-



THIS DRAWING IS A CONTROLLED DOCUMENT.		DWN	-	TE Connectivity SD MEMORY CARD CONNECTOR PUSH PUSH TYPE			
DIMENSIONS: MM		CHK	-			NAME	
TOLERANCES UNLESS OTHERWISE SPECIFIED:		APVD	-			SIZE	
0 PLC ± 0.3 1 PLC ± 0.3 2 PLC ± 0.3 3 PLC ± 0.3 4 PLC ± 0.3 ANGLES $\pm 3'$		PRODUCT SPEC	-			CAGE CODE	
MATERIAL		FINISH	-	DRAWING NO			
-		WEIGHT	-	A300779			
-		CUSTOMER DRAWING	-	C-1939115			
-		SCALE	3:1	SHEET 3 OF 6			
-		REV	D	RESTRICTED TO			

THIS DRAWING IS UNPUBLISHED. RELEASED FOR PUBLICATION MAR ,2003.
 © COPYRIGHT 2004 By Tyco Electronics JAPAN G.K. ALL RIGHTS RESERVED.

LOC	DIST	REVISIONS					
		P	LTR	DESCRIPTION	DATE	DWN	APVD
J	/			SEE SHEET 1	-	-	-

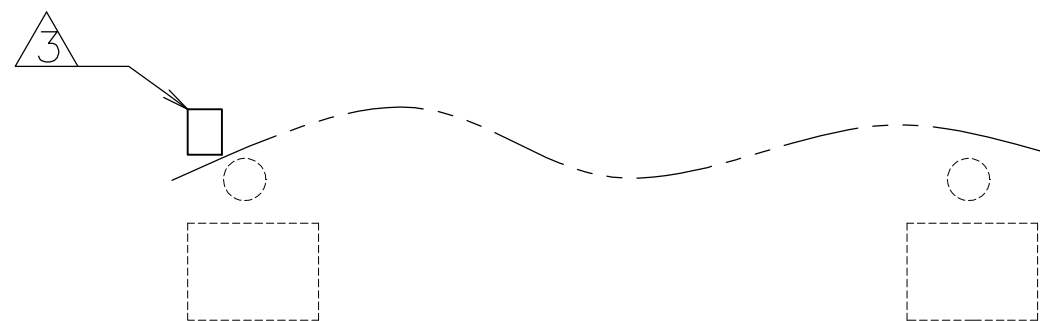
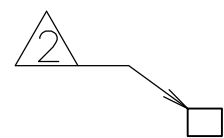
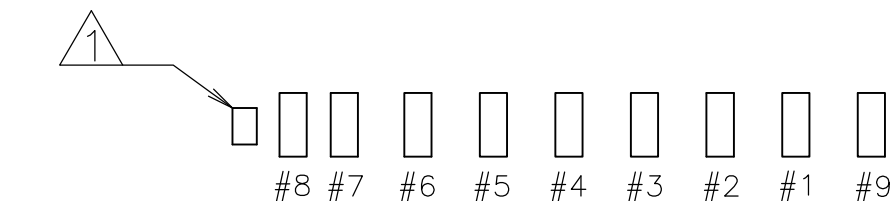


THIS DRAWING IS A CONTROLLED DOCUMENT.		DWN	-		
DIMENSIONS: MM		CHK	-		
TOLERANCES UNLESS OTHERWISE SPECIFIED:		APVD	-		
0 PLC ± 0.3		PRODUCT SPEC	-		
1 PLC ± 0.3		APPLICATION SPEC	-		
2 PLC ± 0.3		WEIGHT	-		
3 PLC ± 0.3		SIZE	A3	CAGE CODE	00779
4 PLC ± 0.3		DRAWING NO	C-1939115		
ANGLES ± 3'		RESTRICTED TO	-		
FINISH		CUSTOMER DRAWING	SCALE	3:1	SHEET 4 OF 6



SD MEMORY CARD CONNECTOR
 PUSH PUSH TYPE

LOC J	DIST /	REVISIONS		
P	LTR	DESCRIPTION	DATE	DWN
	-	SEE SHEET 1	-	-



Pin Assignment						
Pin#	SD Mode			SPI Mode		
	Name	Type	Description	Name	Type	Description
1	CD/DAT3	I/O/PP	Card Detect/ Data Line[Bit 3]	CS	I	Chip Select(neg true)
2	CMD	PP	Command/Response	DI	I	Data In
3	Vss1	S	Supply voltage ground	VSS	S	Supply voltage ground
4	Vdd	S	Supply voltage	VDD	S	Supply voltage
5	CLK	I	Clock	SCLK	I	Clock
6	Vss2	S	Supply voltage ground	VSS2	S	Supply voltage ground
7	DAT0	I/O/PP	Data Line[Bit 0]	DO	O/PP	Data Out
8	DAT1	I/O/PP	Data Line[Bit 1]	RSV		
9	DAT2	I/O/PP	Data Line[Bit 2]	RSV		

Switch pin Assignment	
	Card detect switch
	Common terminal
	Write protect switch

THIS DRAWING IS A CONTROLLED DOCUMENT.		DWN -	TE Connectivity		
DIMENSIONS: MM		CHK -			
		APVD -	SD MEMORY CARD CONNECTOR PUSH PUSH TYPE		
TOLERANCES UNLESS OTHERWISE SPECIFIED:		PRODUCT SPEC -	-		
0 PLC ± 0.3 1 PLC ± 0.3 2 PLC ± 0.3 3 PLC ± 0.3 4 PLC ± 0.3 ANGLES ± 3°		APPLICATION SPEC -	SIZE A3	CAGE CODE 00779	DRAWING NO C-1939115
MATERIAL		WEIGHT	RESTRICTED TO		
FINISH		CUSTOMER DRAWING		SCALE 4:1	SHEET 5 OF 6

4

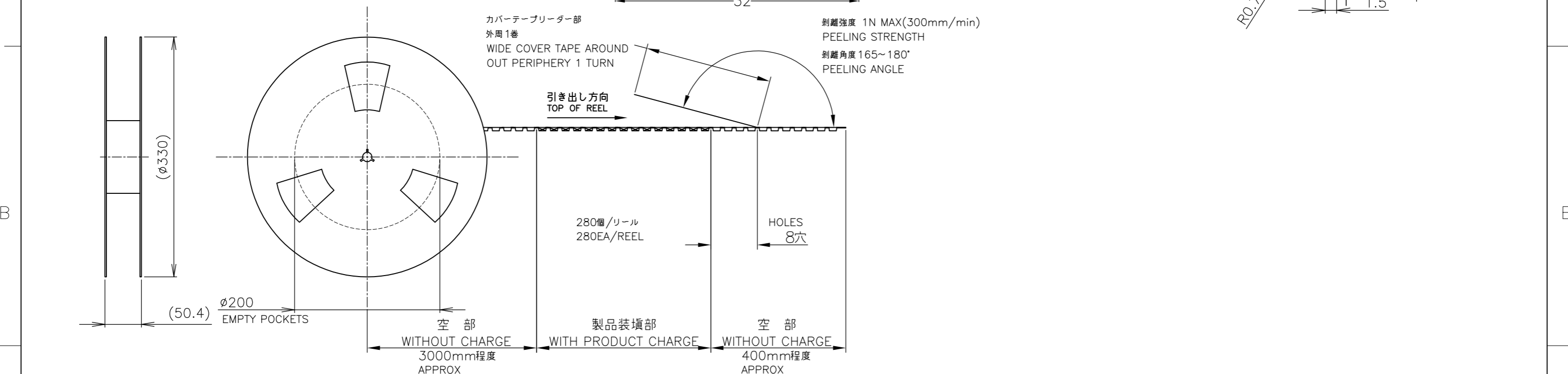
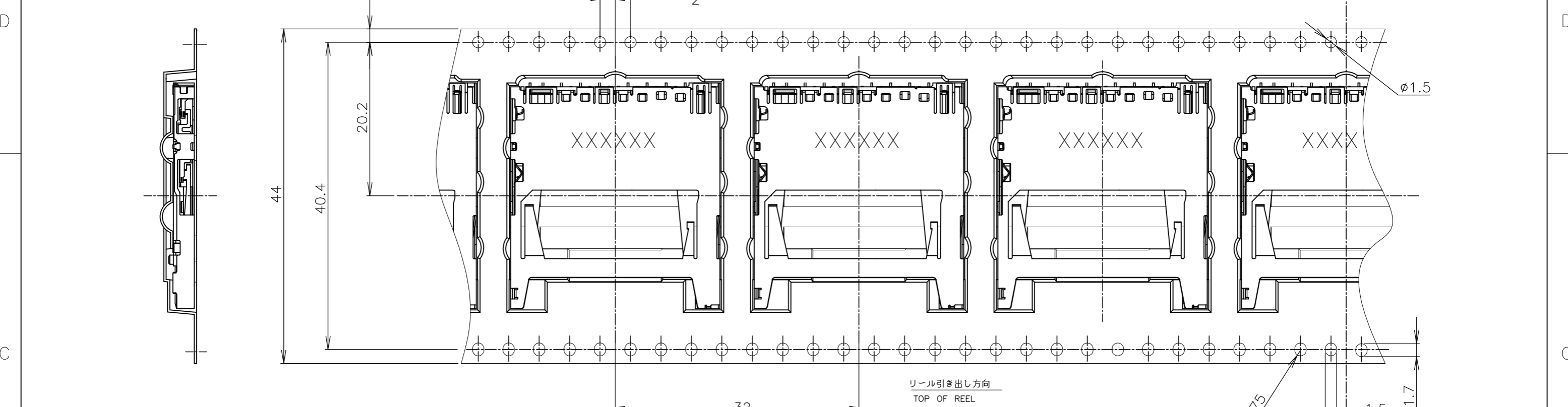
3

2

1

THIS DRAWING IS UNPUBLISHED. RELEASED FOR PUBLICATION MAR , 2003.
 © COPYRIGHT 2004 By Tyco Electronics JAPAN G.K. ALL RIGHTS RESERVED.

LOC	DIST	P	LTR	DESCRIPTION	DATE	DWN	APVD
J	/	-	-	SEE SHEET 1	-	-	-



剥離強度 1N MAX(300mm/min)
 PEELING STRENGTH
 剥離角度 165~180°
 PEELING ANGLE

THIS DRAWING IS A CONTROLLED DOCUMENT.

DIMENSIONS: MM	TOLERANCES UNLESS OTHERWISE SPECIFIED:
	0 PLC ± 0.3
	1 PLC ± 0.3
	2 PLC ± 0.3
	3 PLC ± 0.3
	4 PLC ± 0.3
	ANGLES ± 3°
MATERIAL	FINISH

DWN	-
CHK	-
APVD	-
PRODUCT SPEC	-
APPLICATION SPEC	-
WEIGHT	-

STE TE Connectivity

NAME: SD MEMORY CARD CONNECTOR PUSH PUSH TYPE

SIZE	CAGE CODE	DRAWING NO	RESTRICTED TO
A3	00779	C-1939115	-

CUSTOMER DRAWING SCALE 3:1 SHEET 6 OF 6 REV D

Looking for pricing, stock, or lifecycle information?

Click below to explore more details on WIN SOURCE:

 [View 1939115-1](#) on WIN SOURCE

 [TE Connectivity](#) Information

Optimize Your Supply Chain with WIN SOURCE Solutions

-  Global Sourcing Solution
-  Obsolete Management
-  Cost Control Management
-  Shortage Management
-  Alternative Solution
-  Excess Inventory Management