

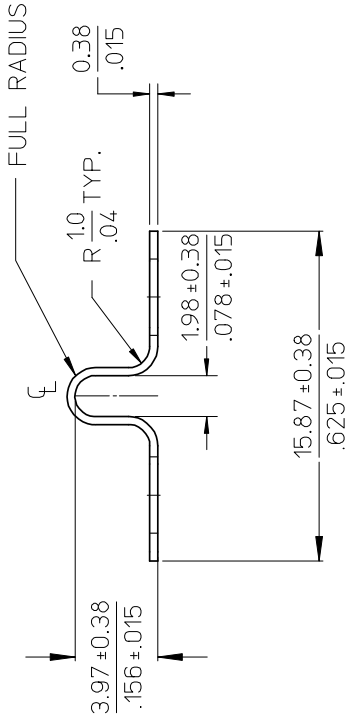


THE DATASHEET OF
380020185



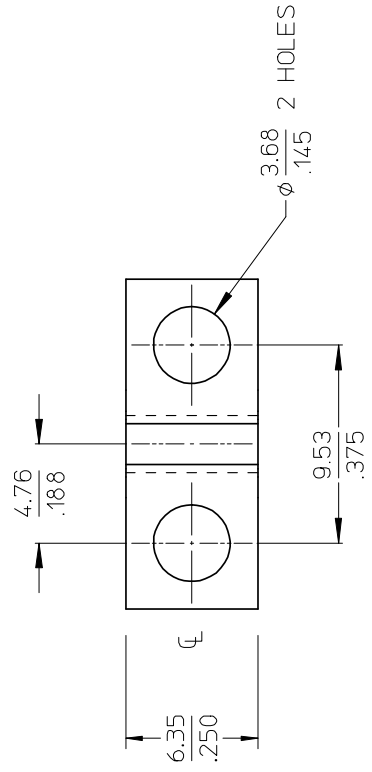
10 9 8 7 6 5 4

F



E

D



C

B

NOTES:

1. MATERIAL: BRASS
2. FINISH: NICKEL PLATE.
3. PART IS ROHS COMPLIANT.

A

EC NO: WNA2008-0052	DRWN: JENCINAS	2008/04/30
CH/D: YORK	2008/04/30	
APPR: JMACNEIL	2008/04/30	
DESCRIPTION		

QUALITY SYMBOLS	<p>▶ ≠ 0</p> <p>▽ ≠ 0</p>
-----------------	---------------------------

GENERAL TOLERANCES (UNLESS SPECIFIED)	mm	INCH
	4 PLACES ± .005	± .0005
	3 PLACES ± .010	± .0010
	2 PLACES ± 0.13	± .01
1 PLACE ± 0.3	± .03	
ANGULAR ± 2 °		
DRAFT WHERE APPLICABLE MUST REMAIN WITHIN DIMENSIONS		

DIMENSION	MM
DRAWN BY	J. ENCINAS
CHECKED BY	C YORK
APPROVED BY	JMACNEIL
MATERIAL NO.	38002
SIZE	THIS D
	B INCORPO

Id: frame_B_P_ME_T
Rev. E 2006/04/15

F

9

8

7



6

5

4

Looking for pricing, stock, or lifecycle information?

Click below to explore more details on WIN SOURCE:

-  [View 380020185 on WIN SOURCE](#)
-  [Molex, LLC Information](#)

Optimize Your Supply Chain with WIN SOURCE Solutions

-  Global Sourcing Solution
-  Obsolete Management
-  Cost Control Management
-  Shortage Management
-  Alternative Solution
-  Excess Inventory Management