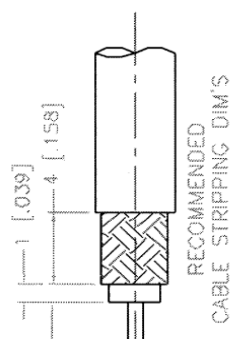
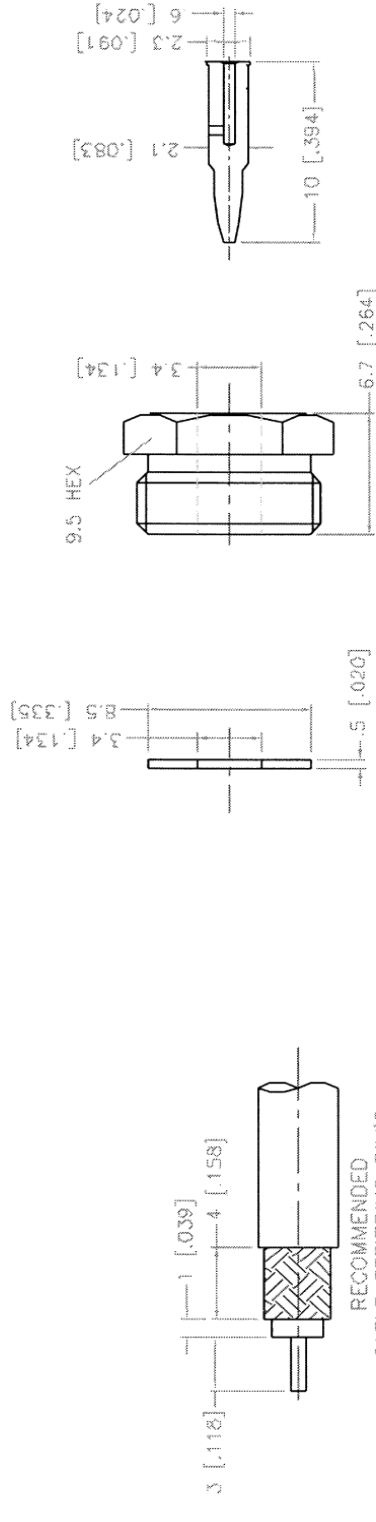
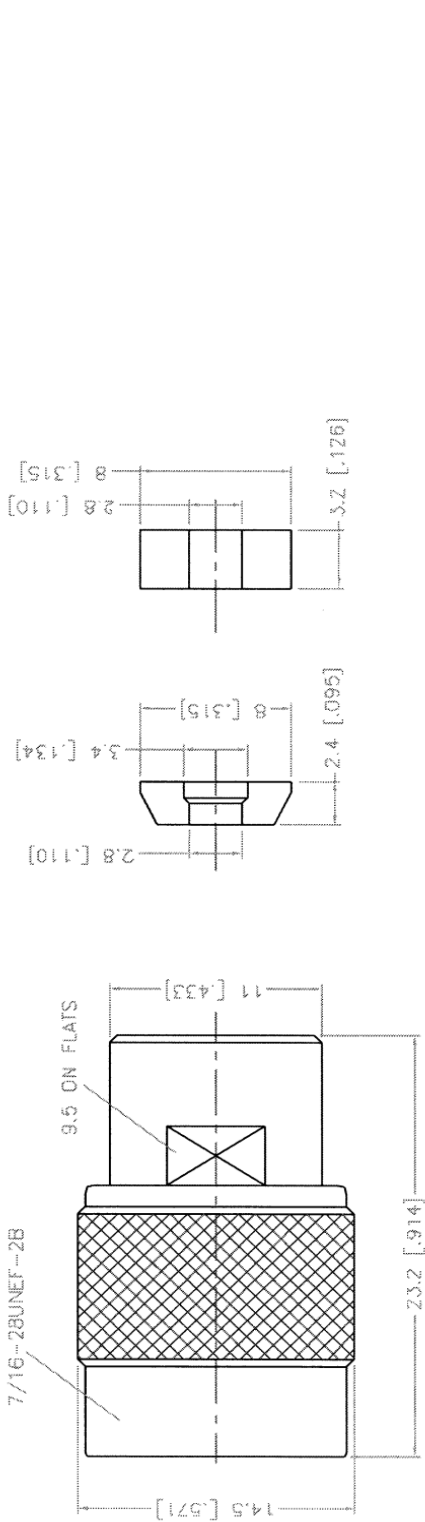




THE DATASHEET OF
122402



REV.	DATE	DESCRIPTION
NC	12/10/97	INITIAL RELEASE





DESCRIPTION	MATERIAL	FINISH	UNLESS OTHERWISE SPECIFIED DIMENSIONS IN [] ARE IN INCHES FOR CUSTOMER REFERENCE ONLY	APPROVALS	DATE
1 BODY	BRASS	NICKEL	UNLESS OTHERWISE SPECIFIED TOLERANCES FOR MILLIMETERS ARE: 0.5-6 = ± 0.2 6-30 = ± 0.4 30-120 = ± 0.6 120-315 = ± 1 315-1000 = ± 1.6 1000-2000 = ± 2.4	DRAWN	12/10/97
2 INSULATOR	DELTRIN	NATURAL		CHECKED	
3 TOP HAT	BRASS	NICKEL	ISSUED		
4 GASKET	SILICONE	RED			
5 WASHER	BRASS	NICKEL			
6 HEX NUT	BRASS	NICKEL			
7 CONTACT PIN	BRASS	GOLD			
8			DO NOT SCALE DRAWING		



TITLE		TNC CLAMP PLUG
DWG. NO.		122402.DWG
SIZE	FSCM NO.	REV.
A	99001	NC
SCALE	PART NO.	SHEET
NA	122402	1 OF 1

Looking for pricing, stock, or lifecycle information?

Click below to explore more details on WIN SOURCE:

-  [View 122402 on WIN SOURCE](#)
-  [Amphenol-RF Division Information](#)

Optimize Your Supply Chain with WIN SOURCE Solutions

-  Global Sourcing Solution
-  Obsolete Management
-  Cost Control Management
-  Shortage Management
-  Alternative Solution
-  Excess Inventory Management