



THE DATASHEET OF EVQ-PJX04M



6.0 mm×3.5 mm Square Light Touch Switches

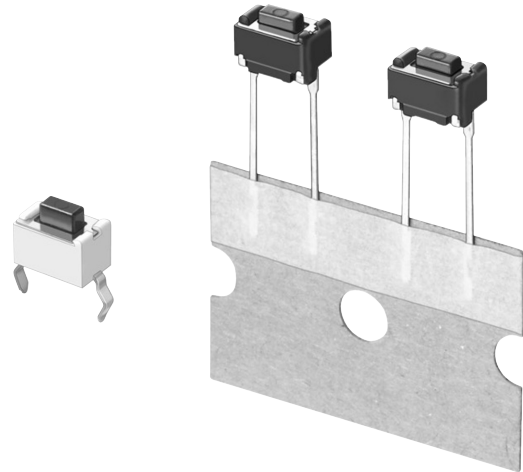
Japan

Type: **EVQPJ**

6.0 mm×3.5 mm size, narrow width type

■ Features

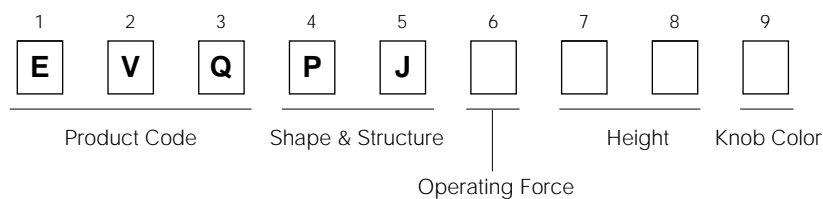
- 6.0 mm×3.5 mm-type for space saving, high-density mounting
- Excellent clear click feeling
- Wave soldering available
- Excellent soldering heat endurance due to heat-resistant resin
- Excellent mounting efficiency with radial taping package



■ Recommended Applications

- Car Audio Equipment
- Compact Disc Players
- Operating switches for Electronic Equipment

■ Explanation of Part Numbers



■ Product Chart

| Operating Force | Type | Bulk Type | SMD | Radial Taping | Height |
|-----------------|-------------|-----------|--------|---------------|--------|
| | 1.0 N±0.5 N | | EVQPJA | EVQPJS | EVQPJG |
| 1.6 N±0.5 N | | EVQPJB | EVQPJX | EVQPJH | |
| 2.4 N±0.6 N | | EVQPJC | EVQPJU | EVQPJJ | |

Major Specifications

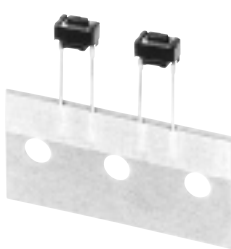
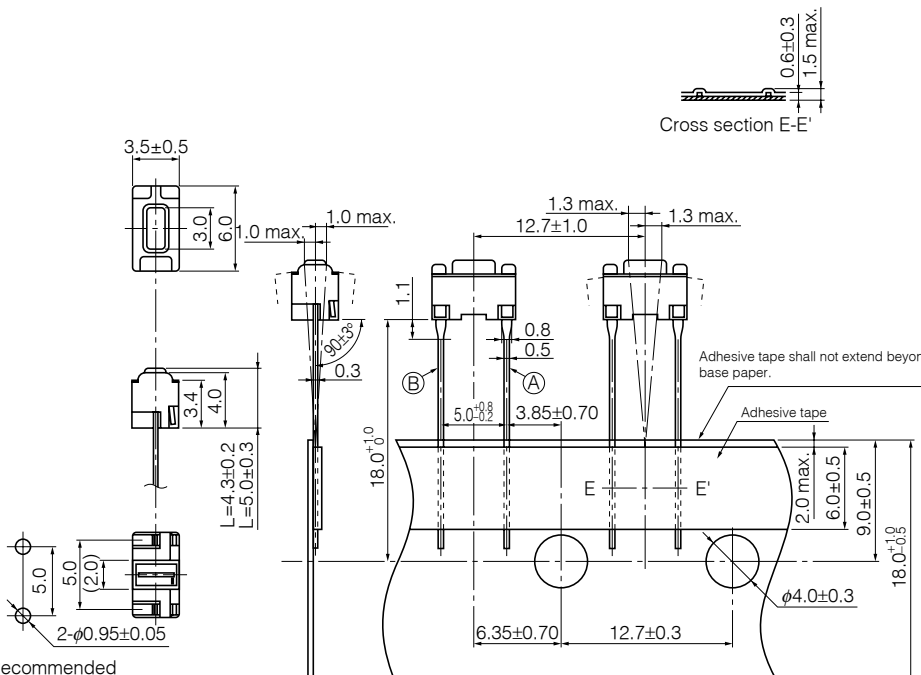
| Type | Snap action/Push-on type SPST | | | |
|-----------------------------------|---------------------------------|--|---------------------------------------|----------------------------|
| Electrical | Circuit Diagram | | | |
| | Rating | 50 mA 12 Vdc | | |
| | Contact Resistance | 100 mΩ max. | | |
| | Insulation Resistance | 100 MΩ min. (at 100 Vdc) | | |
| | Dielectric Withstanding Voltage | 250 Vac for 1 minute | | |
| | Bouncing | 10 ms max. | | |
| Mechanical | Operating Force | 1.0 N±0.5 N (Low force type) 1.6 N±0.5 N (Standard) | 2.4 N±0.6 N | |
| | Travel | 0.25 mm ^{+0.20} _{-0.10} mm | | |
| Endurance | Operating Life | 50000 cycles min. | 30000 cycles min. | |
| | Operating Temperature | -30 °C to +85 °C | | |
| | Storage Temperature | -40 °C to +85 °C (Bulk) -20 °C to +40 °C (Taping) | | |
| Minimum Quantity/ Packing Unit | EVQPJA EVQPJB EVQPJC | 1000 pcs. (Vinyl Bag) | | |
| | EVQPJS EVQPJX EVQPJU | 2000 pcs. (Reel Pack) (H = 5.0 mm) | 2500 pcs. (Reel Pack) (H = 4.3 mm) | |
| | EVQPJG EVQPJH EVQPJJ | 2000 pcs. (Radial Taping) | | |
| | Quantity/Carton | EVQPJA EVQPJB EVQPJC | 10000 pcs. | |
| | | EVQPJS EVQPJX EVQPJU | 10000 pcs. (H = 5.0 mm) | 12500 pcs. (H = 4.3 mm) |
| | | EVQPJG EVQPJH EVQPJJ | 20000 pcs. | |

■ Dimensions in mm (not to scale)

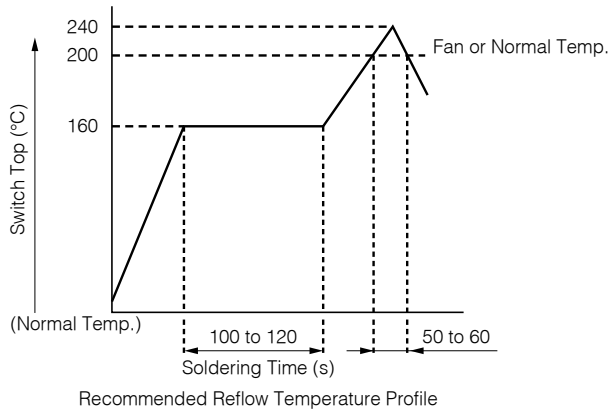
| No. 1 | | | | |
|--|-----------------|---|------------|----------------|
| Japan EVQPJA EVQPJB EVQPJC (Bulk) | | | | |
| | | Recommended PWB piercing plan (Pitch tolerance: ±0.1) View from mounting side | | |
| Part Numbers | Operating Force | Height | Knob Color | Operating Life |
| EVQPJA04Q | 1.0 N | 4.3 mm | Grey | 50000 cycles |
| EVQPJA05Q | 1.0 N | 5.0 mm | Grey | 50000 cycles |
| EVQPJB04K | 1.6 N | 4.3 mm | Black | 50000 cycles |
| EVQPJB05K | 1.6 N | 5.0 mm | Black | 50000 cycles |
| EVQPJC04T | 2.4 N | 4.3 mm | Brown | 30000 cycles |
| EVQPJC05T | 2.4 N | 5.0 mm | Brown | 30000 cycles |
| No. 2 | | | | |
| Japan EVQPJS EVQPJX EVQPJU (Embossed Taping) 6 mm×3.5 mm Square SMD | | | | |
| | | Recommended land pattern | | |
| Part Numbers | Operating Force | Height | Knob Color | Operating Life |
| EVQPJS04K | 1.0 N | 4.3 mm | Black | 50000 cycles |
| EVQPJS05K | 1.0 N | 5.0 mm | Black | 50000 cycles |
| EVQPJX04M | 1.6 N | 4.3 mm | Natural | 50000 cycles |
| EVQPJX05M | 1.6 N | 5.0 mm | Natural | 50000 cycles |
| EVQPJU04K | 2.4 N | 4.3 mm | Black | 30000 cycles |
| EVQPJU05K | 2.4 N | 5.0 mm | Black | 30000 cycles |

Design, Specifications are subject to change without notice. Ask factory for technical specifications before purchase and/or use. Whenever a doubt about safety arises from this product, please inform us immediately for technical consultation without fail.

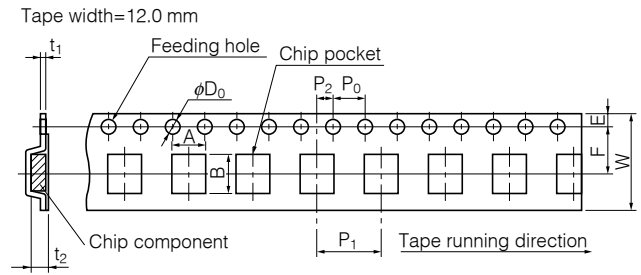
■ Dimensions in mm (not to scale)

| | | | | |
|---|-----------------|--------|------------|----------------|
| <p>No. 3</p> <p>Japan</p> <p>EVQPJG EVQPJH EVQPJJ</p> <p>(Radial Taping)</p> | | | | |
|   <p>Recommended PWB piercing plan (Pitch tolerance: ±0.1) View from mounting side</p> <p>Circuit diagram</p> <p>JIS C0806-2 shall be applied to the items not specified here.</p> | | | | |
| Part Numbers | Operating Force | Height | Knob Color | Operating Life |
| EVQPJG04Q | 1.0 N | 4.3 mm | Grey | 50000 cycles |
| EVQPJG05Q | 1.0 N | 5.0 mm | Grey | 50000 cycles |
| EVQPJH04K | 1.6 N | 4.3 mm | Black | 50000 cycles |
| EVQPJH05K | 1.6 N | 5.0 mm | Black | 50000 cycles |
| EVQPJJ04T | 2.4 N | 4.3 mm | Brown | 30000 cycles |
| EVQPJJ05T | 2.4 N | 5.0 mm | Brown | 30000 cycles |

Recommended Reflow Soldering Conditions



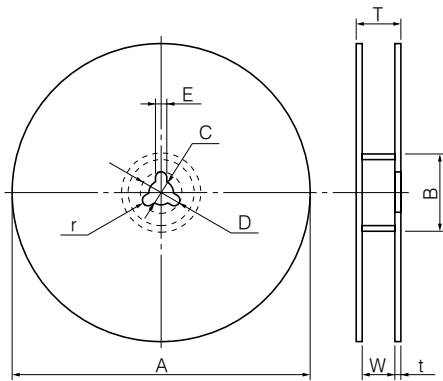
Embossed Carrier Taping



Unit: mm

| Part No. | Height | A | B | W | F | E | P ₁ | P ₂ | P ₀ | D ₀ Dia. | t ₁ | t ₂ |
|----------|---------|-----------|-----------|----------|---------|-----------|----------------|----------------|----------------|----------------------------------|----------------|----------------|
| EVQPJS | 4.3/5.0 | 4.45±0.20 | 7.25±0.20 | 12.0±0.3 | 5.5±0.1 | 1.75±0.10 | 8.0±0.1 | 2.0±0.1 | 4.0±0.1 | 1.5 ^{+0.1} ₀ | 0.30±0.05 | 4.5/5.2±0.2 |
| EVQPJX | | | | | | | | | | | | |
| EVQPJU | | | | | | | | | | | | |

Standard Reel Dimensions in mm (not to scale)





| Item | A | B | C | D | E |
|-----------|------------|------------|-----------|-----------|---------|
| Rate (mm) | φ370.0±2.0 | φ50.0 min. | φ13.0±0.5 | φ21.0±1.0 | 2.0±0.5 |

| Item | W | T | t | r |
|-----------|----------|---|------------|---------|
| Rate (mm) | 14.0±1.5 | — | 1.0 to 3.0 | 1.0±0.5 |

Looking for pricing, stock, or lifecycle information?

Click below to explore more details on WIN SOURCE:

-  [View EVQ-PJX04M on WIN SOURCE](#)
-  [Panasonic Information](#)

Optimize Your Supply Chain with WIN SOURCE Solutions

-  Global Sourcing Solution
-  Obsolete Management
-  Cost Control Management
-  Shortage Management
-  Alternative Solution
-  Excess Inventory Management