



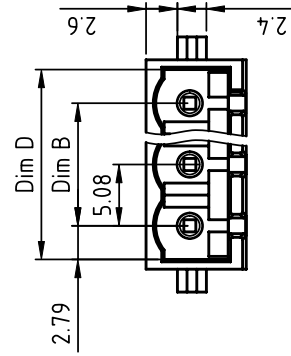
**THE DATASHEET OF
KV145050000G**



PRODUCT NUMBER	PITCH
KVxx50x000J0G	5.08 mm

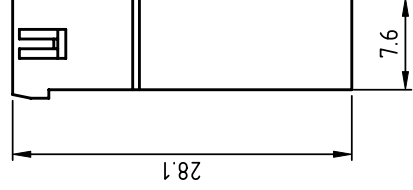
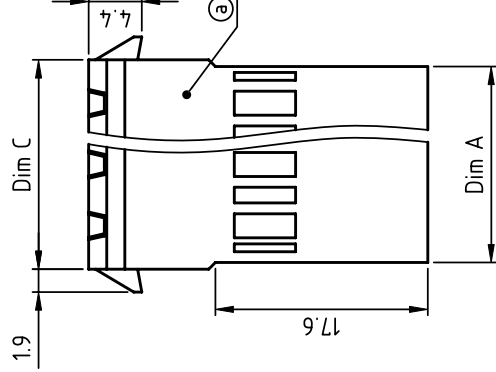
PART NO.: KV xx 50 x 0 00J0 G

N = Number of poles
 Dim A = $N \times 5.08 + 1.0$
 Dim B = $(N - 1) \times 5.08$
 Dim C = $N \times 5.08 + 2.1$
 Dim D = $(N - 1) \times 5.08 + 5.58$

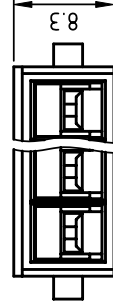


- Solid block 0 Black (RAL9005)
 No. of poles 2 Red (RAL3001/D)
 02 2 poles 3 Orange (RAL2011/P)
 03 3 poles 4 Yellow (RAL1018/A)
 5 Green (RAL6018/T)
 24 24 poles 6 Blue (RAL5015/A)
 8 Grey (RAL7035/D)
 9 White (RAL1102)
 C Green (RAL6018/U)
- Color
- RoHS compliance (lead < 4% in copper)

Poles	Dim A	Dim B	Dim C	Dim D
2-6p	± 0.10	± 0.15	± 0.15	± 0.15
7-12p	± 0.20	± 0.20	± 0.20	± 0.20
13-16p	± 0.30	± 0.25	± 0.25	± 0.25
17-24p	± 0.40	± 0.35	± 0.35	± 0.35



- Material:
- Item@Terminal housing
 - Electrical
 - Voltage rating: 30
 - Current rating: 10A
 - Wire range: 1.5-2.5
 - Withstanding Voltage
 - Corresponding ferrules





mat'l. code		surface	tolerances unless oth
ltr	ecn no	ASME Y14.5	>
dr	date		X
		angles	X
		X ± 1°	X
		dr	EVIN ZHON
		engr	EVIN ZHON
		chr	HANKE FEI
		appd	SHI JUN
sheet index	revision	A	
	sheet	1	

form: A4mmXc

Looking for pricing, stock, or lifecycle information?

Click below to explore more details on WIN SOURCE:

-  [View KV145050000G on WIN SOURCE](#)
-  [Amphenol Anytek Information](#)

Optimize Your Supply Chain with WIN SOURCE Solutions

-  Global Sourcing Solution
-  Obsolete Management
-  Cost Control Management
-  Shortage Management
-  Alternative Solution
-  Excess Inventory Management