



**THE DATASHEET OF  
NPIC6C595D-Q100,11**



# NPIC6C595-Q100

Power logic 8-bit shift register; open-drain outputs

Rev. 1 — 12 July 2012

Product data sheet

## 1. General description

---

The NPIC6C595-Q100 is an 8-bit serial-in/serial or parallel-out shift register with a storage register and open-drain outputs. Both the shift and storage register have separate clocks. The device features a serial input (DS) and a serial output (Q7S) to enable cascading and an asynchronous reset input ( $\overline{MR}$ ). A LOW on  $\overline{MR}$  resets both the shift register and storage register. Data is shifted on the LOW-to-HIGH transitions of the SHCP input. The data in the shift register is transferred to the storage register on a LOW-to-HIGH transition of the STCP input and to the Q7S output on a LOW-to-HIGH transition of the SHCP input. If both clocks are connected together, the shift register is always one clock pulse ahead of the storage register. Data in the storage register drives the gate of the output extended-drain NMOS transistor whenever the output enable input ( $\overline{OE}$ ) is LOW. A HIGH on  $\overline{OE}$  causes the outputs to assume a high-impedance OFF-state. Operation of the  $\overline{OE}$  input does not affect the state of the registers. The open-drain outputs are 33 V/100 mA continuous current extended-drain NMOS transistors designed for use in systems that require moderate load power such as LEDs. Integrated voltage clamps in the outputs provide protection against inductive transients making the device suitable for power driver applications such as relay, solenoids and other low-current or medium-voltage loads.

This product has been qualified to the Automotive Electronics Council (AEC) standard Q100 (Grade 1) and is suitable for use in automotive applications.

## 2. Features and benefits

---

- Automotive product qualification in accordance with AEC-Q100 (Grade 1)
  - ◆ Specified from  $-40\text{ }^{\circ}\text{C}$  to  $+125\text{ }^{\circ}\text{C}$
- Low  $R_{DSon}$
- Eight Power EDNMOS transistor outputs of 100 mA continuous current
- 250 mA current limit capability
- Output clamping voltage 33 V
- 30 mJ avalanche energy capability
- All registers cleared with single input
- Low power consumption
- ESD protection:
  - ◆ HBM AEC-Q100-002 revision D exceeds 2500 V
  - ◆ CDM AEC-Q100-011 revision B exceeds 1000 V

## 3. Applications

---

- LED sign
- Graphic status panel

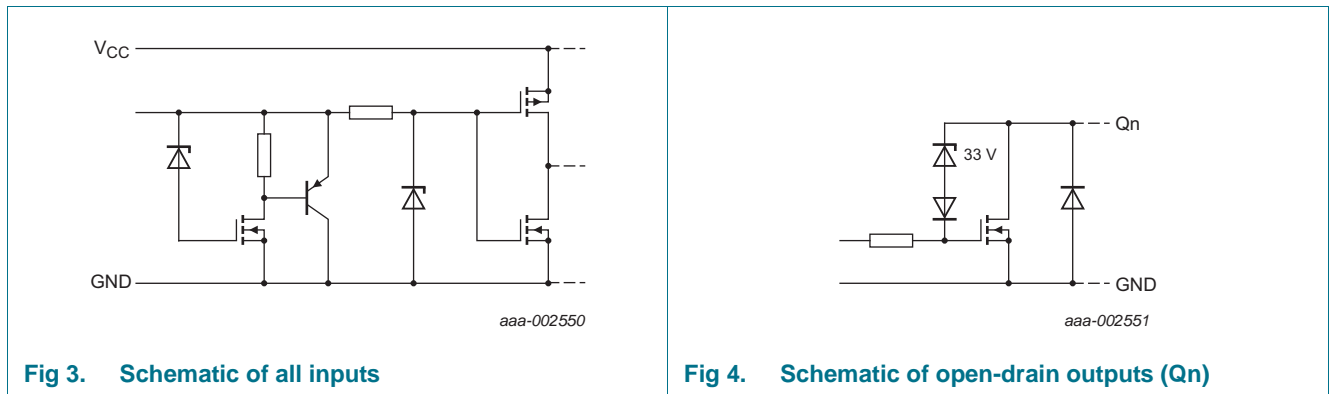
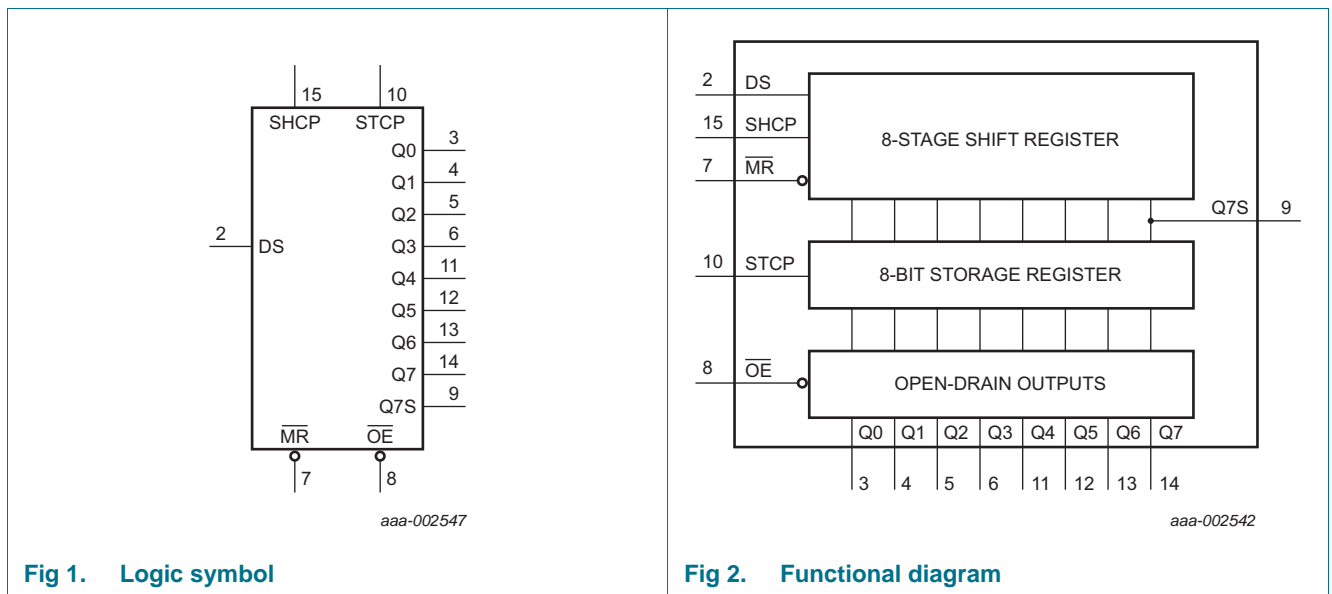
- Fault status indicator

## 4. Ordering information

Table 1. Ordering information

| Type number      | Package           |          |  | Version  |
|------------------|-------------------|----------|--|----------|
|                  | Temperature range | Name     | Description  |          |
| NPIC6C595D-Q100  | -40 °C to +125 °C | SO16     | plastic small outline package; 16 leads; body width 3.9 mm   | SOT109-1 |
| NPIC6C595PW-Q100 | -40 °C to +125 °C | TSSOP16  | plastic thin shrink small outline package; 16 leads; body width 4.4 mm   | SOT403-1 |
| NPIC6C595BQ-Q100 | -40 °C to +125 °C | DHVQFN16 | plastic dual in-line compatible thermal enhanced very thin quad flat package; no leads; 16 terminals; body 2.5 × 3.5 × 0.85 mm | SOT763-1 |

## 5. Functional diagram



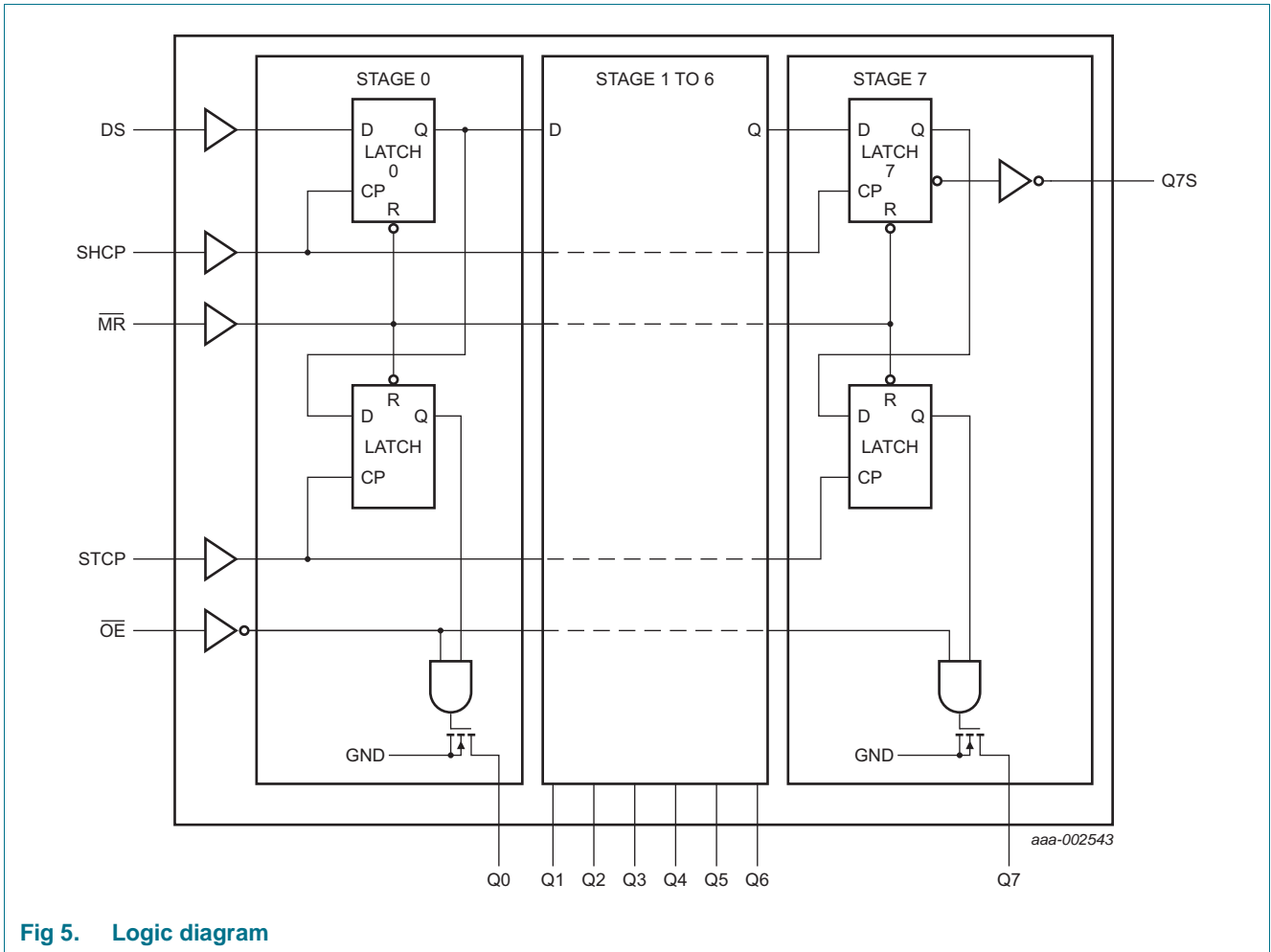


Fig 5. Logic diagram

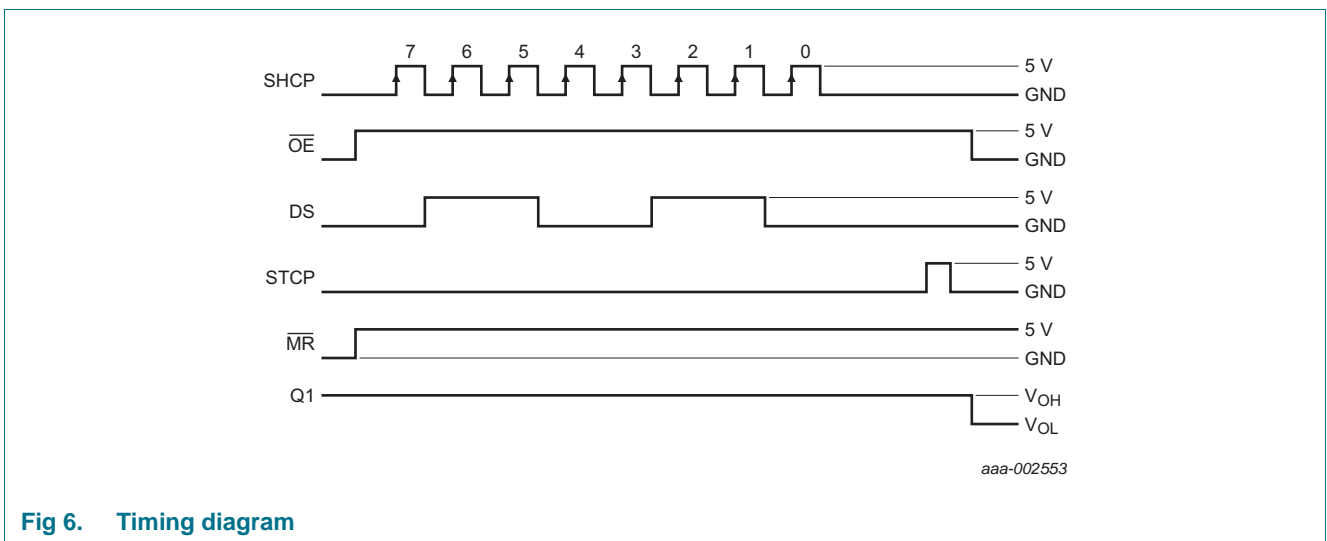
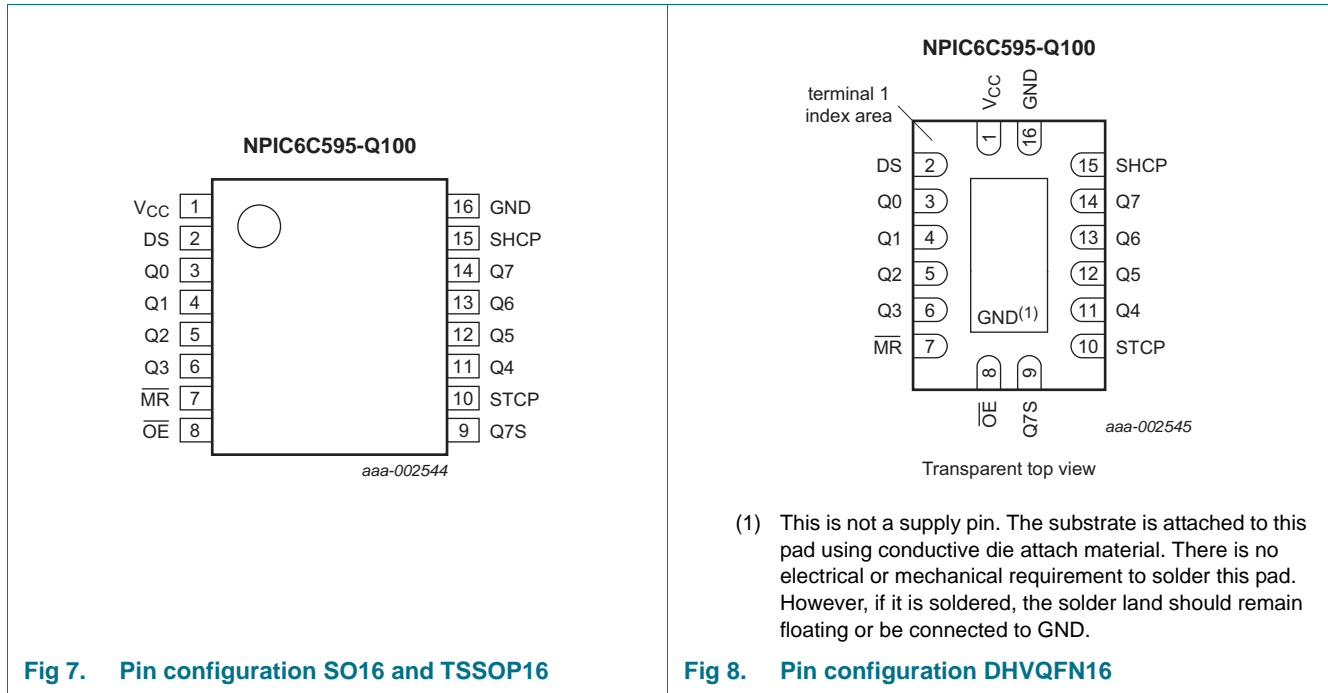


Fig 6. Timing diagram

## 6. Pinning information

### 6.1 Pinning



### 6.2 Pin description

**Table 2. Pin description**

| Symbol                         | Pin                        | Description                       |
|--------------------------------|----------------------------|-----------------------------------|
| V <sub>CC</sub>                | 1                          | supply voltage                    |
| DS                             | 2                          | serial data input                 |
| Q0, Q1, Q2, Q3, Q4, Q5, Q6, Q7 | 3, 4, 5, 6, 11, 12, 13, 14 | parallel data output (open-drain) |
| $\overline{\text{MR}}$         | 7                          | master reset (active LOW)         |
| $\overline{\text{OE}}$         | 8                          | output enable input (active LOW)  |
| Q7S                            | 9                          | serial data output                |
| STCP                           | 10                         | storage register clock input      |
| SHCP                           | 15                         | shift register clock input        |
| GND                            | 16                         | ground (0 V)                      |

## 7. Limiting values

**Table 3. Limiting values**

In accordance with the Absolute Maximum Rating System (IEC 60134). Voltages are referenced to GND (ground = 0 V).

| Symbol      | Parameter                       | Conditions                                 | Min   | Max  | Unit |
|-------------|---------------------------------|--|-------|------|------|
| $V_{CC}$    | supply voltage                  |  | -0.5  | +7.0 | V    |
| $V_I$       | input voltage                   |  | -0.3  | +7.0 | V    |
| $V_{DS}$    | drain-source voltage            | power EDNMOS drain-source voltage          | [1] - | +33  | V    |
| $I_{d(SD)}$ | source-drain diode current      | continuous                                 | -     | 250  | mA   |
|             |                                 | pulsed                                     | [2] - | 500  | mA   |
| $I_D$       | drain current                   | $T_{amb} = 25\text{ °C}$                   |       |      |      |
|             |                                 | continuous; each output;<br>all outputs on | -     | 100  | mA   |
|             |                                 | pulsed; each output;<br>all outputs on     | [2] - | 250  | mA   |
| $I_{DM}$    | peak drain current              | single output; $T_{amb} = 25\text{ °C}$    | [2] - | 250  | mA   |
| $E_{AS}$    | non-repetitive avalanche energy | single pulse; see <a href="#">Figure 9</a> | [3] - | 30   | mJ   |
| $I_{AL}$    | avalanche current               | see <a href="#">Figure 9</a>               | [3] - | 200  | mA   |
| $T_{stg}$   | storage temperature             |  | -65   | +150 | °C   |
| $P_{tot}$   | total power dissipation         | $T_{amb} = 25\text{ °C}$                   | [4]   |      |      |
|             |                                 | SO16                                       | -     | 800  | mW   |
|             |                                 | TSSOP16                                    | -     | 725  | mW   |
|             |                                 | DHVQFN16                                   | -     | 1825 | mW   |
|             |                                 | $T_{amb} = 125\text{ °C}$                  | [4]   |      |      |
|             |                                 | SO16                                       | -     | 160  | mW   |
|             |                                 | TSSOP16                                    | -     | 145  | mW   |
|             |                                 | DHVQFN16                                   | -     | 365  | mW   |

[1] Each power EDNMOS source is internally connected to GND.

[2] Pulse duration  $\leq 100\ \mu\text{s}$  and duty cycle  $\leq 2\%$ .

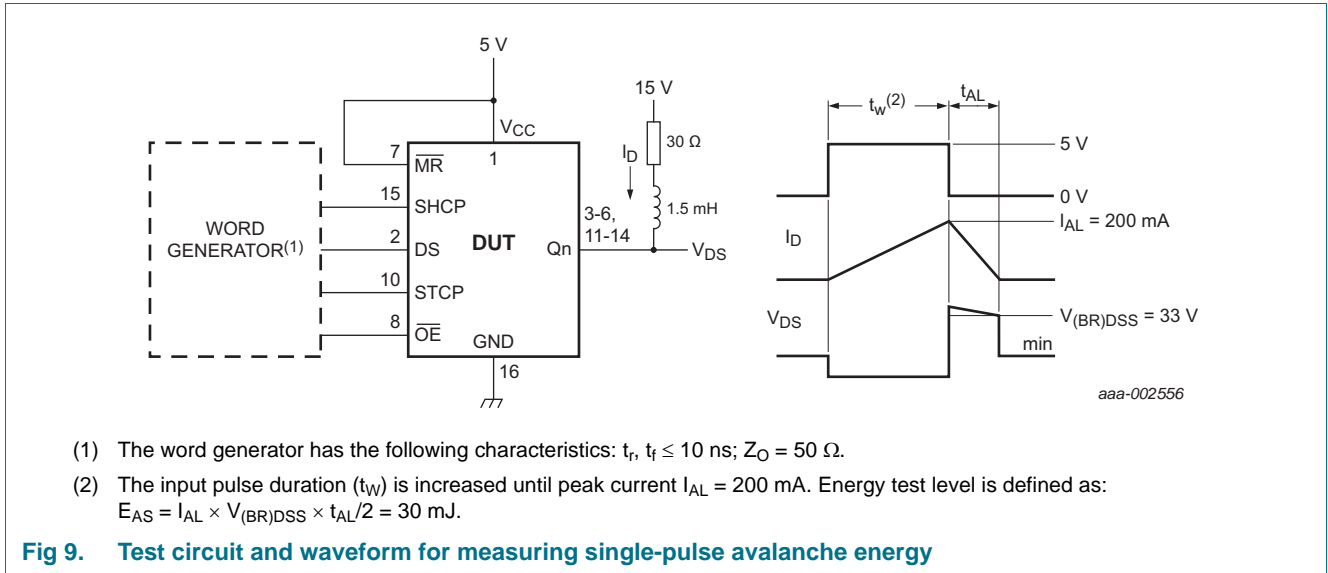
[3]  $V_{DS} = 15\text{ V}$ ; starting junction temperature ( $T_j$ ) =  $25\text{ °C}$ ;  $L = 1.5\text{ H}$ ; avalanche current ( $I_{AL}$ ) =  $200\text{ mA}$ .

[4] For SO16 packages: above  $25\text{ °C}$  the value of  $P_{tot}$  derates linearly with  $6.4\text{ mW/°C}$ .

For TSSOP16 packages: above  $25\text{ °C}$  the value of  $P_{tot}$  derates linearly with  $5.8\text{ mW/°C}$ .

For DHVQFN16 packages: above  $25\text{ °C}$  the value of  $P_{tot}$  derates linearly with  $14.6\text{ mW/°C}$ .

**7.1 Test circuit and waveform**



**8. Recommended operating conditions**

**Table 4. Recommended operating conditions**

| Symbol    | Parameter           | Conditions   | Min      | Typ | Max  | Unit |
|-----------|---------------------|--|----------|-----|------|------|
| $V_{CC}$  | supply voltage      |  | 4.5      | -   | 5.5  | V    |
| $V_I$     | input voltage       |  | 0        | -   | 5.5  | V    |
| $I_D$     | drain current       | pulsed drain output current;<br>$V_{CC} = 5$ V; $T_{amb} = 25$ °C;<br>all outputs on | [1][2] - | -   | 250  | mA   |
| $T_{amb}$ | ambient temperature |  | -40      | -   | +125 | °C   |

[1] Pulse duration  $\leq 100$   $\mu$ s and duty cycle  $\leq 2$  %.

[2] Technique should limit  $T_j - T_{amb}$  to 10 °C maximum.

**9. Static characteristics**

**Table 5. Static characteristics**

At recommended operating conditions. Voltages are referenced to GND (ground = 0 V).

| Symbol   | Parameter                 | Conditions   | $V_{CC} = 5.0$ V; $T_{amb} = 25$ °C |      |              | Unit |
|----------|---------------------------|--|-------------------------------------|------|--------------|------|
|          |                           |  | Min                                 | Typ  | Max          |      |
| $V_{IH}$ | HIGH-level input voltage  | $V_{CC} = 4.5$ V to 5.5 V                          | $0.85V_{CC}$                        | -    | -            | V    |
| $V_{IL}$ | LOW-level input voltage   | $V_{CC} = 4.5$ V to 5.5 V                          | -                                   | -    | $0.15V_{CC}$ | V    |
| $V_{OH}$ | HIGH-level output voltage | serial data output Q7S; $V_I = V_{IH}$ or $V_{IL}$ |                                     |      |              |      |
|          |                           | $I_O = -20$ $\mu$ A; $V_{CC} = 4.5$ V              | 4.4                                 | 4.49 | -            | V    |
|          |                           | $I_O = -4$ mA; $V_{CC} = 4.5$ V                    | 4.0                                 | 4.2  | -            | V    |

**Table 5.** Static characteristics ...continued

At recommended operating conditions. Voltages are referenced to GND (ground = 0 V).

| Symbol               | Parameter                        | Conditions   | V <sub>CC</sub> = 5.0 V; T <sub>amb</sub> = 25 °C |       |     | Unit |
|----------------------|----------------------------------|--|---|-------|-----|------|
|                      |                                  |  | Min   | Typ   | Max |      |
| V <sub>OL</sub>      | LOW-level output voltage         | serial data output Q7S; V <sub>I</sub> = V <sub>IH</sub> or V <sub>IL</sub>  |   |       |     |      |
|                      |                                  | I <sub>O</sub> = 20 μA; V <sub>CC</sub> = 4.5 V  | -   | 0.005 | 0.1 | V    |
|                      |                                  | I <sub>O</sub> = 4 mA; V <sub>CC</sub> = 4.5 V   | -   | 0.3   | 0.5 | V    |
| I <sub>IH</sub>      | HIGH-level input current         | V <sub>CC</sub> = 5.5 V; V <sub>I</sub> = V <sub>CC</sub>  | -   | -     | 1   | μA   |
| I <sub>IL</sub>      | LOW-level input current          | V <sub>CC</sub> = 5.5 V; V <sub>I</sub> = 0 V  | -   | -     | -1  | μA   |
| V <sub>(BR)DSS</sub> | drain-source breakdown voltage   | I <sub>D</sub> = 1 mA  | 33  | 37    | -   | V    |
| V <sub>SD</sub>      | source-drain voltage             | diode forward voltage; I <sub>F</sub> = 100 mA   | -   | 0.85  | 1.2 | V    |
| I <sub>CC</sub>      | supply current                   | logic supply current; V <sub>CC</sub> = 5.5 V; V <sub>I</sub> = V <sub>CC</sub> or GND                             |   |       |     |      |
|                      |                                  | all outputs off  | -   | 0.004 | 200 | μA   |
|                      |                                  | all outputs on   | -   | 0.006 | 500 | μA   |
|                      |                                  | all outputs off; SHCP = 5 MHz; C <sub>L</sub> = 30 pF; see <a href="#">Figure 14</a> and <a href="#">Figure 16</a> | -   | 0.75  | 5   | mA   |
| I <sub>O(nom)</sub>  | nominal output current           | V <sub>DS</sub> = 0.5 V; T <sub>amb</sub> = 85 °C; I <sub>out</sub> = I <sub>D</sub> <a href="#">[1][2][3]</a>     | -   | 140   | -   | mA   |
| I <sub>DSX</sub>     | drain cut-off current            | V <sub>CC</sub> = 5.5 V; V <sub>DS</sub> = 30 V  | -   | 0.002 | 0.2 | μA   |
|                      |                                  | V <sub>CC</sub> = 5.5 V; V <sub>DS</sub> = 30 V; T <sub>amb</sub> = 125 °C   | -   | 0.15  | 0.3 | μA   |
| R <sub>DSon</sub>    | drain-source on-state resistance | see <a href="#">Figure 17</a> and <a href="#">Figure 18</a> <a href="#">[1][2]</a>                                 |   |       |     |      |
|                      |                                  | V <sub>CC</sub> = 4.5 V; I <sub>D</sub> = 50 mA  | -   | 3.0   | 9   | Ω    |
|                      |                                  | V <sub>CC</sub> = 4.5 V; I <sub>D</sub> = 50 mA; T <sub>amb</sub> = 125 °C   |   | 5.4   | 12  | Ω    |
|                      |                                  | V <sub>CC</sub> = 4.5 V; I <sub>D</sub> = 100 mA   | -   | 3.1   | 10  | Ω    |

[1] Technique should limit T<sub>j</sub> - T<sub>amb</sub> to 10 °C maximum.

[2] These parameters are measured with voltage-sensing contacts separate from the current-carrying contacts.

[3] Nominal output current is defined for a consistent comparison between devices from different sources. It is the current that produces a voltage drop of 0.5 V at T<sub>amb</sub> = 85 °C.

## 10. Dynamic characteristics

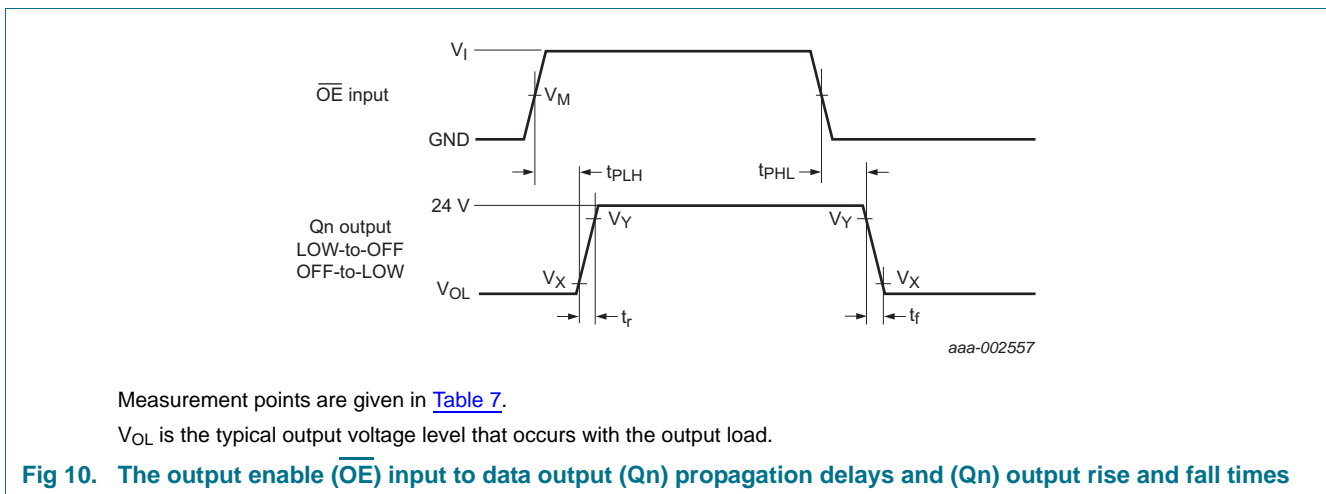
**Table 6. Dynamic characteristics**

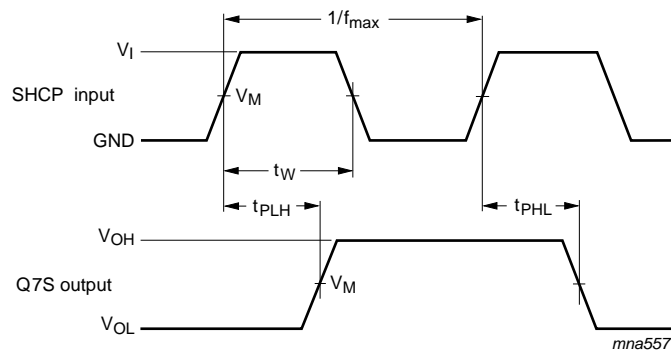
Voltages are referenced to GND (ground = 0 V); For test circuit see [Figure 14](#).

| Symbol           | Parameter                          | Conditions   | V <sub>CC</sub> = 5.0 V; T <sub>amb</sub> = 25 °C |     |     | Unit |
|------------------|------------------------------------|--|---|-----|-----|------|
|                  |                                    |  | Min   | Typ | Max |      |
| t <sub>PLH</sub> | LOW to HIGH propagation delay      | $\overline{OE}$ to Qn; I <sub>D</sub> = 75 mA; see <a href="#">Figure 10</a> and <a href="#">Figure 19</a> | -   | 97  | -   | ns   |
| t <sub>PHL</sub> | HIGH to LOW propagation delay      | $\overline{OE}$ to Qn; I <sub>D</sub> = 75 mA; see <a href="#">Figure 10</a> and <a href="#">Figure 19</a> | -   | 9   | -   | ns   |
| t <sub>r</sub>   | rise time                          | $\overline{OE}$ to Qn; I <sub>D</sub> = 75 mA; see <a href="#">Figure 10</a> and <a href="#">Figure 19</a> | -   | 60  | -   | ns   |
| t <sub>f</sub>   | fall time                          | $\overline{OE}$ to Qn; I <sub>D</sub> = 75 mA; see <a href="#">Figure 10</a> and <a href="#">Figure 19</a> | -   | 18  | -   | ns   |
| t <sub>pd</sub>  | propagation delay                  | SHCP to Q7S; I <sub>D</sub> = 75 mA; see <a href="#">Figure 11</a> <a href="#">[1]</a>                     | -   | 5   | -   | ns   |
| f <sub>max</sub> | maximum frequency                  | SHCP; I <sub>D</sub> = 75 mA; see <a href="#">Figure 11</a> <a href="#">[2]</a>                            | -   | -   | 10  | MHz  |
| t <sub>rr</sub>  | reverse recovery time              | I <sub>F</sub> = 100 mA; dI/dt = 10 A/μs; see <a href="#">Figure 13</a> <a href="#">[3][4]</a>             | -   | 120 | -   | ns   |
| t <sub>a</sub>   | reverse recovery current rise time | I <sub>F</sub> = 100 mA; dI/dt = 10 A/μs; see <a href="#">Figure 13</a> <a href="#">[3][4]</a>             | -   | 100 | -   | ns   |
| t <sub>su</sub>  | set-up time                        | DS to SHCP; see <a href="#">Figure 12</a>  | 20  | -   | -   | ns   |
| t <sub>h</sub>   | hold time                          | DS to SHCP; see <a href="#">Figure 12</a>  | 20  | -   | -   | ns   |
| t <sub>W</sub>   | pulse width                        |  | 40  | -   | -   | ns   |

- [1] t<sub>pd</sub> is the same as t<sub>PLH</sub> and t<sub>PHL</sub>.
- [2] This is the maximum serial clock frequency assuming cascaded operation where serial data is passed from one stage to a second stage. The clock period allows for SHCP → Q7S propagation delay and setup time plus some timing margin.
- [3] Technique should limit T<sub>j</sub> - T<sub>amb</sub> to 10 °C maximum.
- [4] These parameters are measured with voltage-sensing contacts separate from the current-carrying contacts.

### 10.1 Test circuits and waveforms





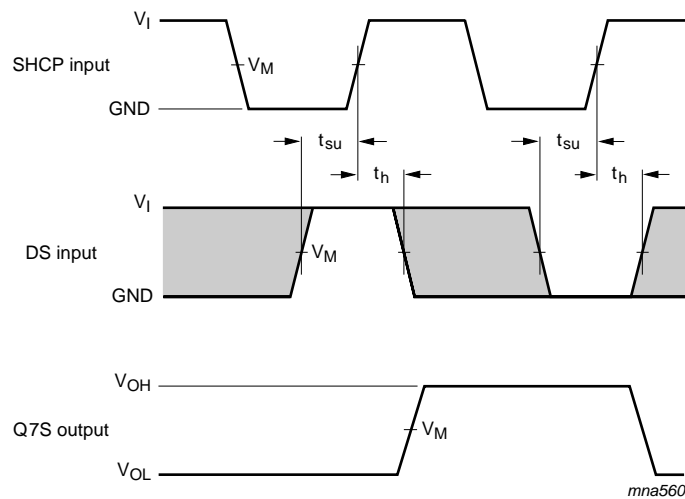
Measurement points are given in [Table 7](#).

$V_{OL}$  and  $V_{OH}$  are the typical output voltage levels that occur with the output load.

**Fig 11. The shift clock (SHCP) to serial data output (Q7S) propagation delays, the shift clock pulse width and maximum shift clock frequency**

**Table 7. Measurement points**

| Supply voltage | Input       | Output      |             |             |
|----------------|-------------|-------------|-------------|-------------|
| $V_{CC}$       | $V_M$       | $V_M$       | $V_X$       | $V_Y$       |
| 5 V            | $0.5V_{CC}$ | $0.5V_{DS}$ | $0.1V_{DS}$ | $0.9V_{DS}$ |



Measurement points are given in [Table 8](#).

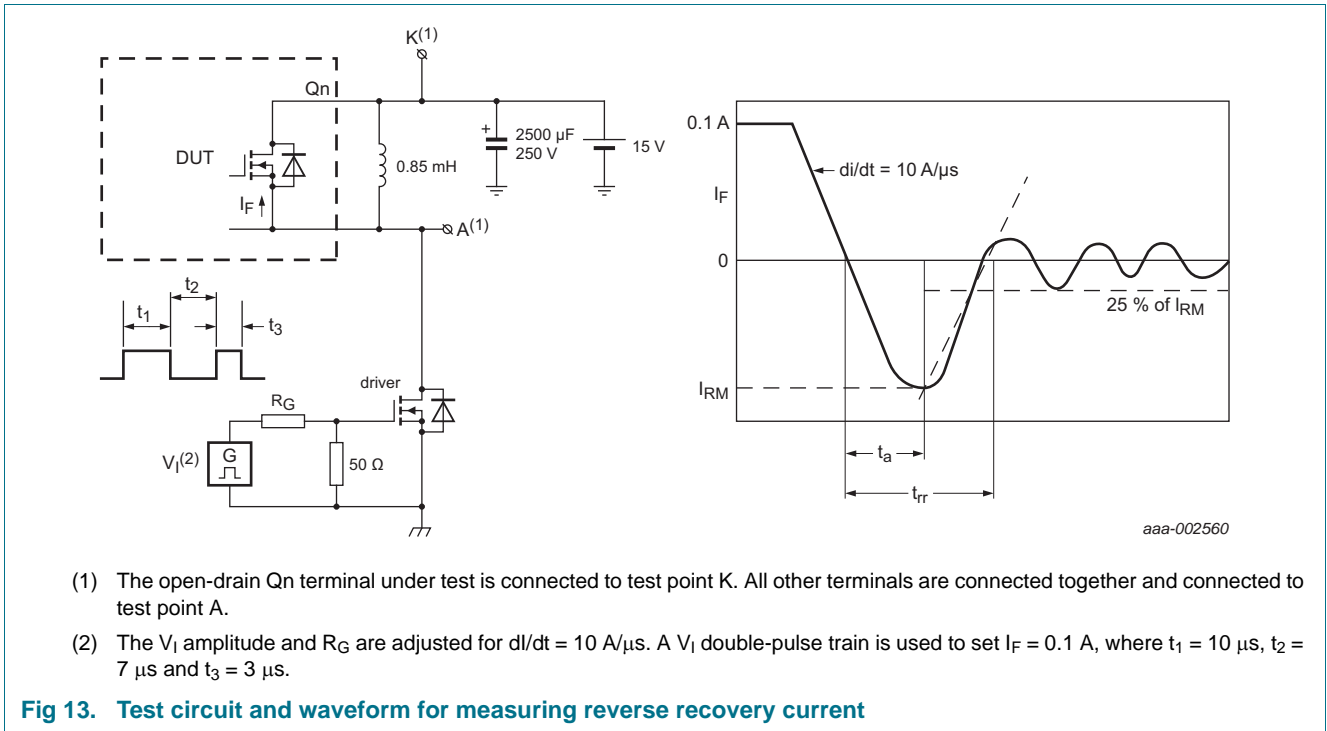
The shaded areas indicate when the input is permitted to change for predictable output performance.

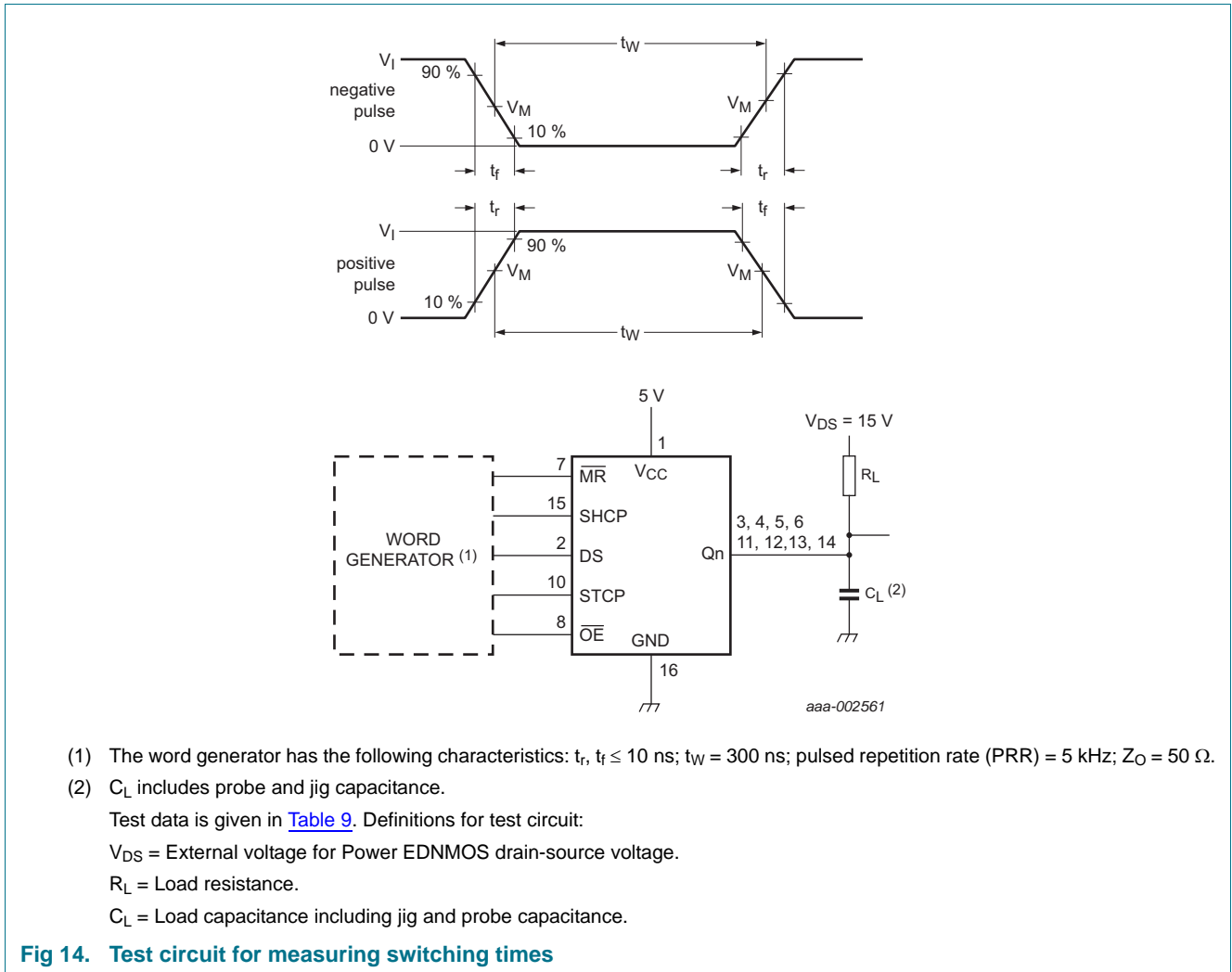
$V_{OL}$  and  $V_{OH}$  are the typical output voltage levels that occur with the output load.

**Fig 12. The data set-up and hold times for the serial data input (DS)**

**Table 8. Measurement points**

| Supply voltage | Input       | Output      |
|----------------|-------------|-------------|
| $V_{CC}$       | $V_M$       | $V_M$       |
| 5 V            | $0.5V_{CC}$ | $0.5V_{CC}$ |

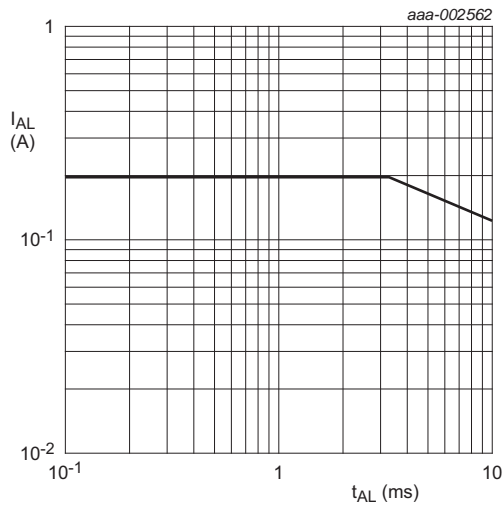




**Fig 14. Test circuit for measuring switching times**

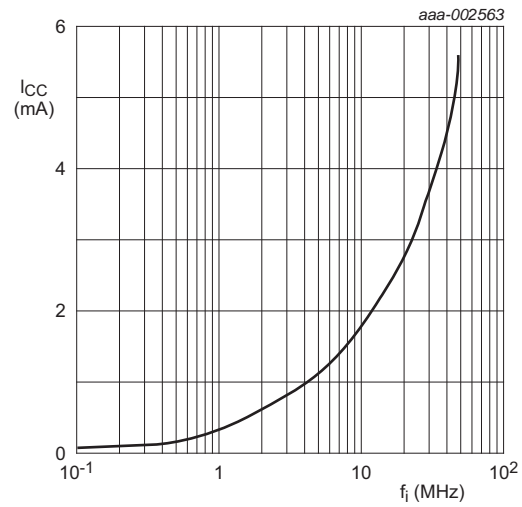
**Table 9. Test data**

| Supply voltage | Input |              |       | Load  |              |
|----------------|-------|--------------|-------|-------|--------------|
|                | $V_I$ | $t_r, t_f$   | $V_M$ | $C_L$ | $R_L$        |
| 5 V            | 5 V   | $\leq 10$ ns | 50 %  | 30 pF | 200 $\Omega$ |



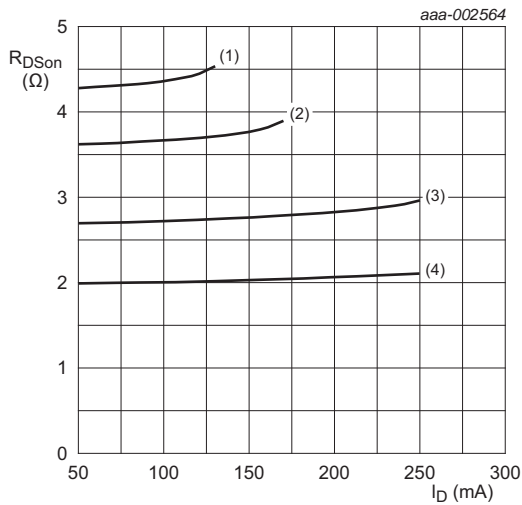
$T_{amb} = 25\text{ }^{\circ}\text{C}$ .

**Fig 15. Avalanche current (peak) versus time duration of avalanche**



$T_{amb} = -40\text{ }^{\circ}\text{C}$  to  $125\text{ }^{\circ}\text{C}$ ;  $V_{CC} = 5\text{ V}$ .

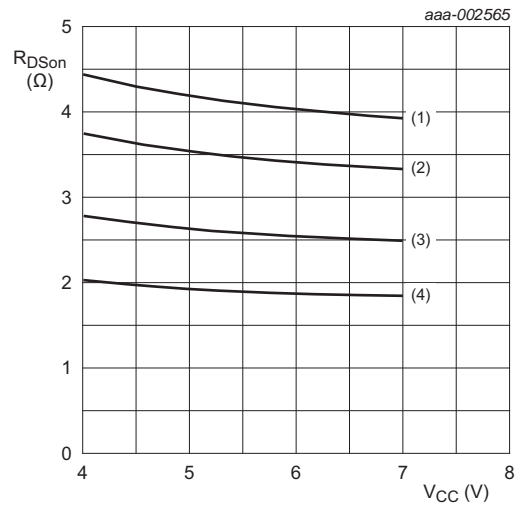
**Fig 16. Supply current versus frequency**



$V_I = V_{CC}$  or GND and  $V_O = \text{GND}$  or  $V_{CC}$ .

- (1)  $T_{amb} = 125\text{ }^{\circ}\text{C}$
- (2)  $T_{amb} = 85\text{ }^{\circ}\text{C}$
- (3)  $T_{amb} = 25\text{ }^{\circ}\text{C}$
- (4)  $T_{amb} = -40\text{ }^{\circ}\text{C}$

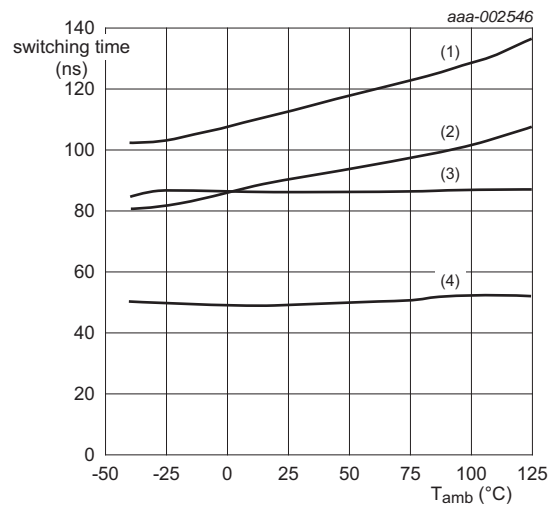
**Fig 17. Drain-source on-state resistance versus drain current**



$V_I = V_{CC}$  or GND and  $V_O = \text{open circuit}$ .

- (1)  $T_{amb} = 125\text{ }^{\circ}\text{C}$
- (2)  $T_{amb} = 85\text{ }^{\circ}\text{C}$
- (3)  $T_{amb} = 25\text{ }^{\circ}\text{C}$
- (4)  $T_{amb} = -40\text{ }^{\circ}\text{C}$

**Fig 18. Static drain-source on-state resistance versus supply voltage**



$I_D = 75$  mA, this technique should limit  $T_j - T_{amb}$  to 10 °C maximum.

- (1)  $t_{PLH}$ .
- (2)  $t_r$ .
- (3)  $t_f$ .
- (4)  $t_{PHL}$ .

**Fig 19. Switching time versus temperature**

11. Package outline

SO16: plastic small outline package; 16 leads; body width 3.9 mm

SOT109-1

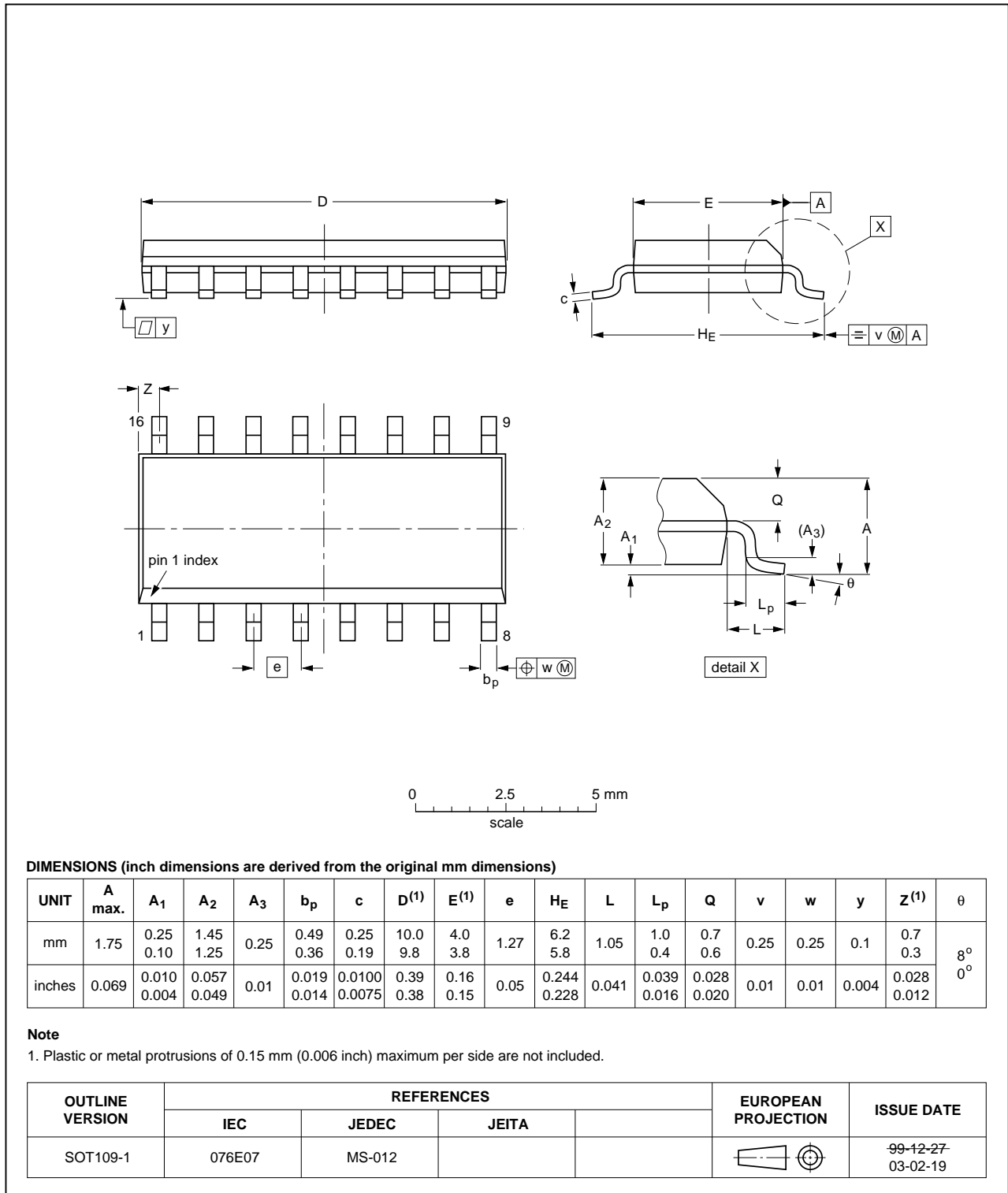


Fig 20. Package outline SOT109-1 (SO16)

TSSOP16: plastic thin shrink small outline package; 16 leads; body width 4.4 mm

SOT403-1

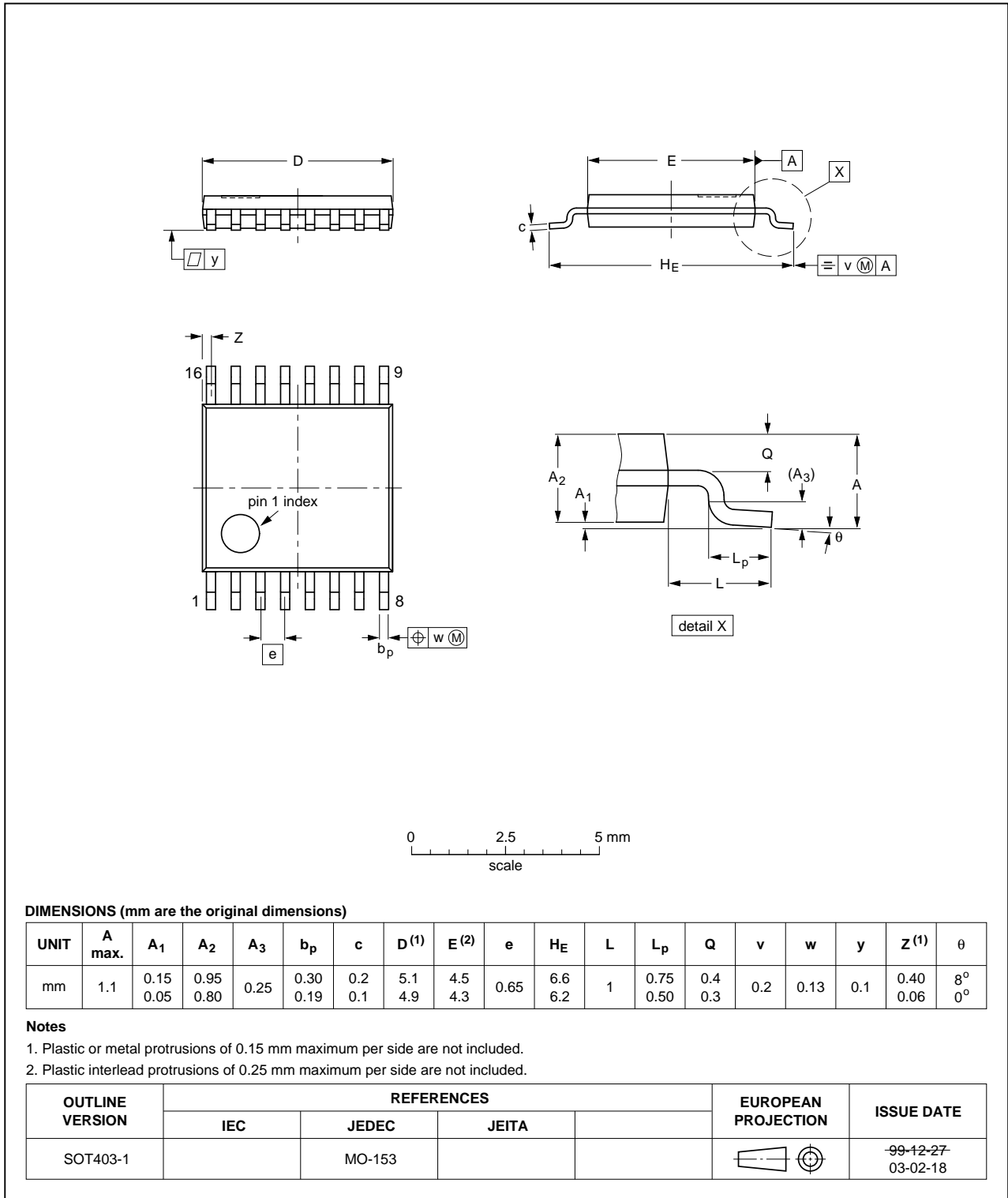


Fig 21. Package outline SOT403-1 (TSSOP16)

DHVQFN16: plastic dual in-line compatible thermal enhanced very thin quad flat package; no leads; 16 terminals; body 2.5 x 3.5 x 0.85 mm

SOT763-1

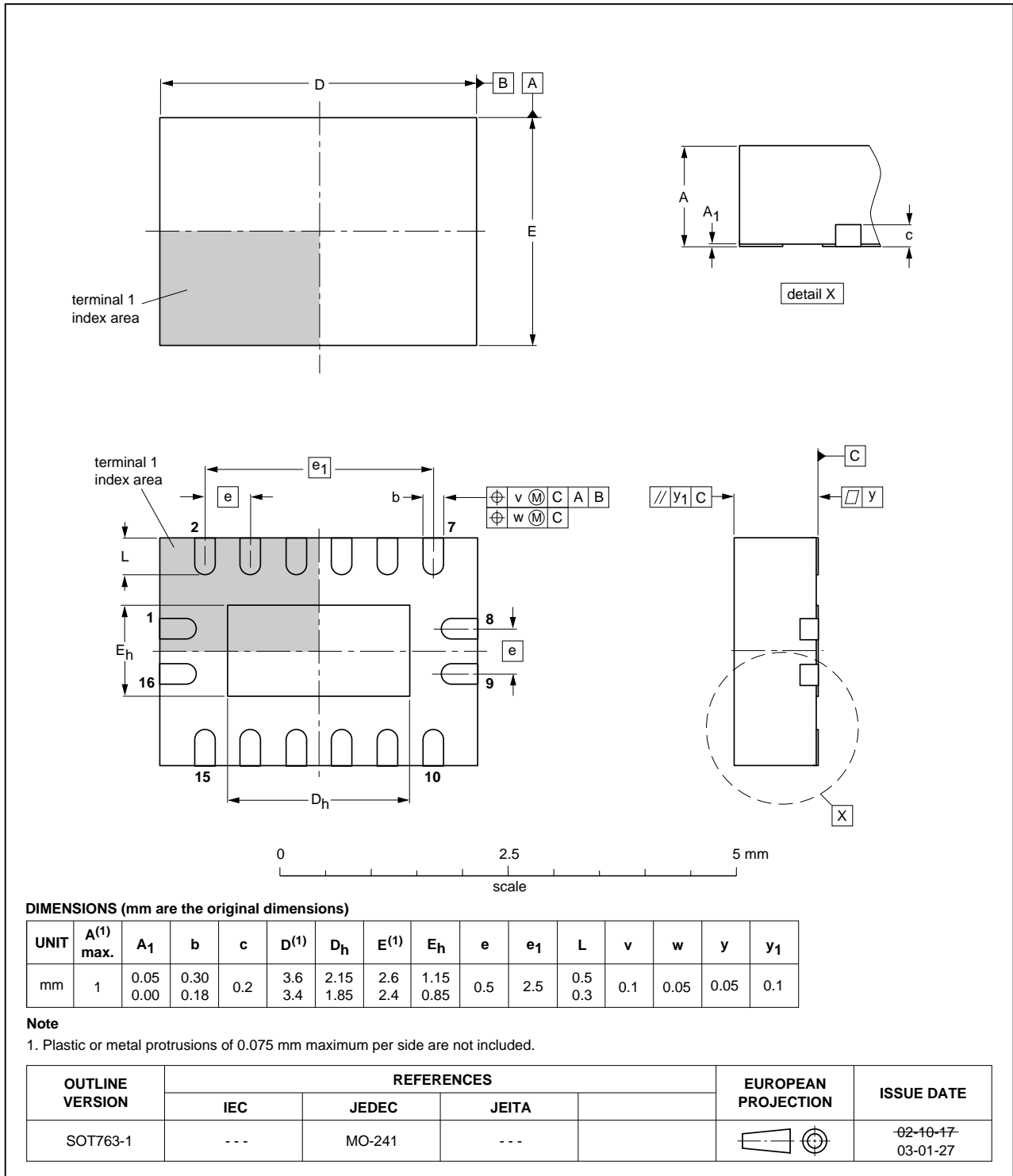


Fig 22. Package outline SOT763-1 (DHVQFN16)

## 12. Abbreviations

Table 10. Abbreviations

| Acronym | Description                                       |
|---------|---|
| CDM     | Charged Device Model                              |
| CMOS    | Complementary Metal Oxide Semiconductor           |
| DUT     | Device Under Test                                 |
| EDNMOS  | Extended Drain Negative Metal Oxide Semiconductor |
| ESD     | ElectroStatic Discharge                           |
| HBM     | Human Body Model                                  |
| TTL     | Transistor-Transistor Logic                       |

## 13. Revision history

Table 11. Revision history

| Document ID        | Release date | Data sheet status  | Change notice | Supersedes |
|--------------------|--------------|--------------------|---------------|------------|
| NPIC6C595_Q100 v.1 | 20120712     | Product data sheet | -             | -          |

## 14. Legal information

### 14.1 Data sheet status

| Document status <sup>[1][2]</sup> | Product status <sup>[3]</sup> | Definition  |
|-----------------------------------|-------------------------------|---|
| Objective [short] data sheet      | Development                   | This document contains data from the objective specification for product development. |
| Preliminary [short] data sheet    | Qualification                 | This document contains data from the preliminary specification.                       |
| Product [short] data sheet        | Production                    | This document contains the product specification.                                     |

[1] Please consult the most recently issued document before initiating or completing a design.

[2] The term 'short data sheet' is explained in section "Definitions".

[3] The product status of device(s) described in this document may have changed since this document was published and may differ in case of multiple devices. The latest product status information is available on the Internet at URL <http://www.nexperia.com>.

### 14.2 Definitions

**Draft** — The document is a draft version only. The content is still under internal review and subject to formal approval, which may result in modifications or additions. Nexperia does not give any representations or warranties as to the accuracy or completeness of information included herein and shall have no liability for the consequences of use of such information.

**Short data sheet** — A short data sheet is an extract from a full data sheet with the same product type number(s) and title. A short data sheet is intended for quick reference only and should not be relied upon to contain detailed and full information. For detailed and full information see the relevant full data sheet, which is available on request via the local Nexperia sales office. In case of any inconsistency or conflict with the short data sheet, the full data sheet shall prevail.

**Product specification** — The information and data provided in a Product data sheet shall define the specification of the product as agreed between Nexperia and its customer, unless Nexperia and customer have explicitly agreed otherwise in writing. In no event however, shall an agreement be valid in which the Nexperia product is deemed to offer functions and qualities beyond those described in the Product data sheet.

### 14.3 Disclaimers

**Limited warranty and liability** — Information in this document is believed to be accurate and reliable. However, Nexperia does not give any representations or warranties, expressed or implied, as to the accuracy or completeness of such information and shall have no liability for the consequences of use of such information. Nexperia takes no responsibility for the content in this document if provided by an information source outside of Nexperia.

In no event shall Nexperia be liable for any indirect, incidental, punitive, special or consequential damages (including - without limitation - lost profits, lost savings, business interruption, costs related to the removal or replacement of any products or rework charges) whether or not such damages are based on tort (including negligence), warranty, breach of contract or any other legal theory.

Notwithstanding any damages that customer might incur for any reason whatsoever, Nexperia's aggregate and cumulative liability towards customer for the products described herein shall be limited in accordance with the *Terms and conditions of commercial sale* of Nexperia.

**Right to make changes** — Nexperia reserves the right to make changes to information published in this document, including without limitation specifications and product descriptions, at any time and without notice. This document supersedes and replaces all information supplied prior to the publication hereof.

**Suitability for use in automotive applications** — This Nexperia product has been qualified for use in automotive applications. Unless otherwise agreed in writing, the product is not designed, authorized or warranted to be suitable for use in life support, life-critical or safety-critical systems or equipment, nor in applications where failure or malfunction of a Nexperia product can reasonably be expected to result in personal injury, death or severe property or environmental damage. Nexperia and its suppliers accept no liability for inclusion and/or use of Nexperia products in such equipment or applications and therefore such inclusion and/or use is at the customer's own risk.

**Applications** — Applications that are described herein for any of these products are for illustrative purposes only. Nexperia makes no representation or warranty that such applications will be suitable for the specified use without further testing or modification.

Customers are responsible for the design and operation of their applications and products using Nexperia products, and Nexperia accepts no liability for any assistance with applications or customer product design. It is customer's sole responsibility to determine whether the Nexperia product is suitable and fit for the customer's applications and products planned, as well as for the planned application and use of customer's third party customer(s). Customers should provide appropriate design and operating safeguards to minimize the risks associated with their applications and products.

Nexperia does not accept any liability related to any default, damage, costs or problem which is based on any weakness or default in the customer's applications or products, or the application or use by customer's third party customer(s). Customer is responsible for doing all necessary testing for the customer's applications and products using Nexperia products in order to avoid a default of the applications and the products or of the application or use by customer's third party customer(s). Nexperia does not accept any liability in this respect.

**Limiting values** — Stress above one or more limiting values (as defined in the Absolute Maximum Ratings System of IEC 60134) will cause permanent damage to the device. Limiting values are stress ratings only and (proper) operation of the device at these or any other conditions above those given in the Recommended operating conditions section (if present) or the Characteristics sections of this document is not warranted. Constant or repeated exposure to limiting values will permanently and irreversibly affect the quality and reliability of the device.

**Terms and conditions of commercial sale** — Nexperia products are sold subject to the general terms and conditions of commercial sale, as published at <http://www.nexperia.com/profile/terms>, unless otherwise agreed in a valid written individual agreement. In case an individual agreement is concluded only the terms and conditions of the respective agreement shall apply. Nexperia hereby expressly objects to applying the customer's general terms and conditions with regard to the purchase of Nexperia products by customer.

**No offer to sell or license** — Nothing in this document may be interpreted or construed as an offer to sell products that is open for acceptance or the grant, conveyance or implication of any license under any copyrights, patents or other industrial or intellectual property rights.

**Export control** — This document as well as the item(s) described herein may be subject to export control regulations. Export might require a prior authorization from competent authorities.

**Translations** — A non-English (translated) version of a document is for reference only. The English version shall prevail in case of any discrepancy between the translated and English versions.

## 14.4 Trademarks

Notice: All referenced brands, product names, service names and trademarks are the property of their respective owners.

## 15. Contact information

---

For more information, please visit: <http://www.nexperia.com>

For sales office addresses, please send an email to: [salesaddresses@nexperia.com](mailto:salesaddresses@nexperia.com)



## 16. Contents

---

|           |   |           |
|-----------|---|-----------|
| <b>1</b>  | <b>General description</b> .....              | <b>1</b>  |
| <b>2</b>  | <b>Features and benefits</b> .....            | <b>1</b>  |
| <b>3</b>  | <b>Applications</b> .....                     | <b>1</b>  |
| <b>4</b>  | <b>Ordering information</b> .....             | <b>2</b>  |
| <b>5</b>  | <b>Functional diagram</b> .....               | <b>2</b>  |
| <b>6</b>  | <b>Pinning information</b> .....              | <b>4</b>  |
| 6.1       | Pinning .....                                 | 4         |
| 6.2       | Pin description .....                         | 4         |
| <b>7</b>  | <b>Limiting values</b> .....                  | <b>5</b>  |
| 7.1       | Test circuit and waveform .....               | 6         |
| <b>8</b>  | <b>Recommended operating conditions</b> ..... | <b>6</b>  |
| <b>9</b>  | <b>Static characteristics</b> .....           | <b>6</b>  |
| <b>10</b> | <b>Dynamic characteristics</b> .....          | <b>8</b>  |
| 10.1      | Test circuits and waveforms .....             | 8         |
| <b>11</b> | <b>Package outline</b> .....                  | <b>14</b> |
| <b>12</b> | <b>Abbreviations</b> .....                    | <b>17</b> |
| <b>13</b> | <b>Revision history</b> .....                 | <b>17</b> |
| <b>14</b> | <b>Legal information</b> .....                | <b>18</b> |
| 14.1      | Data sheet status .....                       | 18        |
| 14.2      | Definitions .....                             | 18        |
| 14.3      | Disclaimers .....                             | 18        |
| 14.4      | Trademarks .....                              | 19        |
| <b>15</b> | <b>Contact information</b> .....              | <b>19</b> |
| <b>16</b> | <b>Contents</b> .....                         | <b>20</b> |

## Looking for pricing, stock, or lifecycle information?

Click below to explore more details on WIN SOURCE:

-  [View NPIC6C595D-Q100,11 on WIN SOURCE](#)
-  [Nexperia USA Inc. Information](#)

## Optimize Your Supply Chain with WIN SOURCE Solutions

-  Global Sourcing Solution
-  Obsolete Management
-  Cost Control Management
-  Shortage Management
-  Alternative Solution
-  Excess Inventory Management