

## FEATURES

- Guaranteed over the industrial temperature range:  
–40°C to +85°C
- Pin-for-pin; plug-in replacement to MC100EPT21D/DT
- 3.3V power supply
- 1.9ns typical propagation delay
- 275MHz  $f_{MAX}$  (Clock)
- Differential LVPECL inputs
- 24mA LVTTL output
- Flow-through pinout
- Q output will default LOW with inputs open
- $V_{BB}$  output
- Available in 8-pin MSOP and SOIC packages

## APPLICATIONS

- ASIC/FPGA interface
- Legacy interface
- Precision differential-to-general purpose, single-ended translation



ECL Pro™

## DESCRIPTION

The SY100EPT21L is a single, differential LVPECL-to-LVTTL translator using a single +3.3V power supply. Because low voltage positive ECL (LVPECL) levels are used, only +3.3V and ground are required. The small outline 8-pin SOIC package and low-skew, single-gate design make the EPT21L ideal for applications that require the translation of a clock or data signal where minimal space, low power, and low cost are critical.

$V_{BB}$  allows a differential, single-ended, or AC-coupled interface to the device. If used, the  $V_{BB}$  output should be bypassed to  $V_{CC}$  with 0.01 $\mu$ F capacitor.

Under open input conditions, the /D will be biased at a  $V_{CC}/2$  voltage level and the D input will be pulled to ground. This condition will force the Q output low to provide added stability.

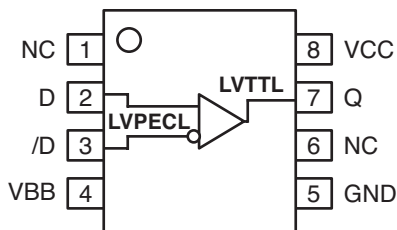
The 100EPT is compatible with positive ECL 100K logic levels. For applications that require the smallest footprint, consider the SY89321L in an ultra-small (2mm  $\times$  2mm) 8-pin MLF™ package.

All support documentation can be found on Micrel's web site at: [www.micrel.com](http://www.micrel.com).

## CROSS REFERENCE TABLE

Micrel	ON Semiconductor
SY100EPT21LZI	MC100EPT21D
SY100EPT21LZITR	MC100EPT21DR2
SY100EPT21LKI	MC100EPT21DT
SY100EPT21LKITR	MC100EPT21DTR2

**PACKAGE/ORDERING INFORMATION**



**8-Pin SOIC (Z8-1)  
8-Pin MSOP (K8-1)**

**Ordering Information<sup>(1)</sup>**

Part Number	Package Type	Operating Range	Package Marking	Lead Finish
SY100EPT21LZC	Z8-1	Commercial	XEP21L	Sn-Pb
SY100EPT21LZCTR <sup>(2)</sup>	Z8-1	Commercial	XEP21L	Sn-Pb
SY100EPT21LKC	K8-1	Commercial	XP21	Sn-Pb
SY100EPT21LKCTR <sup>(2)</sup>	K8-1	Commercial	XP21	Sn-Pb
SY100EPT21LZI	Z8-1	Industrial	XEP21L	Sn-Pb
SY100EPT21LZITR <sup>(2)</sup>	Z8-1	Industrial	XEP21L	Sn-Pb
SY100EPT21LKI	K8-1	Industrial	XP21	Sn-Pb
SY100EPT21LKITR <sup>(2)</sup>	K8-1	Industrial	XP21	Sn-Pb
SY100EPT21LZG <sup>(3)</sup>	Z8-1	Industrial	XEP21L with Pb-Free bar-line indicator	Pb-Free NiPdAu
SY100EPT21LZGTR <sup>(2, 3)</sup>	Z8-1	Industrial	XEP21L with Pb-Free bar-line indicator	Pb-Free NiPdAu
SY100EPT21LKG <sup>(3)</sup>	K8-1	Industrial	XP21 with Pb-Free bar-line indicator	Pb-Free NiPdAu
SY100EPT21LKGTR <sup>(2, 3)</sup>	K8-1	Industrial	XP21 with Pb-Free bar-line indicator	Pb-Free NiPdAu

**Notes:**

1. Contact factory for die availability. Dice are guaranteed at T<sub>A</sub> = 25°C, DC Electricals only.
2. Tape and Reel.
3. Pb-Free package is recommended for new designs.

**PIN DESCRIPTION**

Pin Number	Pin Name	Pin Function
1	NC	No Connect.
2, 3	D, /D	Differential LVPECL Input Pair.
4	VBB	Output Reference Voltage.
5	GND	Ground.
6	NC	No Connect.
7	Q	LVTTL Output.
8	VCC	Positive Supply.

**TRUTH TABLE**

D	/D	Q
L	H	L
H	L	H
Open	Open	L

### Absolute Maximum Ratings<sup>(1)</sup>

Power Supply Voltage ( $V_{CC}$ ) ..... -0.5 to +3.8V  
 PECL Input Voltage ( $V_{IN}$ ) ..... 0V to  $V_{CC} + 0.5V$   
 Voltage Applied to Output at HIGH State ( $V_{OUT}$ ) -0.5 to  $V_{CC}$   
 Current Applied to Output at LOW State ( $I_{OUT}$ )  
 ..... Twice the Rated  $I_{OL}$  (mA)  
 Lead Temperature (soldering, 20 sec.) ..... +260°C  
 Storage Temperature ( $T_S$ ) ..... -65°C to +150°C

### Operating Ratings<sup>(2)</sup>

Power Supply Voltage ( $V_{CC}$ ) ..... -0.5 to +3.8V  
 Ambient Temperature ( $T_A$ ) ..... -40°C to +85°C  
 Package Thermal Resistance  
 SOIC ( $\theta_{JA}$ ) multi-layer board ..... 113°C/W  
 MSOP ( $\theta_{JA}$ ) multi-layer board ..... 124°C/W

## LVTTTL OUTPUT DC ELECTRICAL CHARACTERISTICS

$V_{CC} = +3.3V$ , GND = 0V;  $T_A = -40^\circ C$  to  $+85^\circ C$ ; unless noted.

Symbol	Parameter	Condition	Min	Typ	Max	Units
$I_{OS}$	Output Short Circuit Current	$V_{OUT} = 0V$	-80		-275	mA
$I_{CC}$	Power Supply Current			14	20	mA
$V_{OH}$	Output HIGH Voltage	$I_{OH} = -3.0mA^{(3)}$	2.3			V
$V_{OL}$	Output LOW Voltage	$I_{OL} = 24mA$			0.5	V

## LVPECL INPUT DC ELECTRICAL CHARACTERISTICS

$V_{CC} = +3.3V$ , GND = 0V;  $T_A = -40^\circ C$  to  $+85^\circ C$ ; unless noted.

Symbol	Parameter	Condition	Min	Typ	Max	Units
$I_{IH}$	Input HIGH Current				150	$\mu A$
$I_{IL}$	Input LOW Current	D	0.5			$\mu A$
		/D	-300			$\mu A$
$V_{IH}$	Input HIGH Voltage	<b>Note 3</b>	2135		2420	V
$V_{IL}$	Input LOW Voltage	<b>Note 3</b>	1490		1825	V
$V_{BB}$	Reference Output	<b>Note 3</b>	1920	1980	2040	V

**Notes:**

1. Permanent device damage may occur if ratings in the absolute maximum ratings section are exceeded. This is a stress rating only and functional operation is not implied for conditions other than those detailed in the operational sections of this data sheet. Exposure to absolute maximum ratings conditions for extended periods may affect device reliability.
2. The data sheet limits are not guaranteed if the device is operated beyond the operating ratings.
3. These values are for  $V_{CC} = 3.3V$ . Level Specifications will vary 1:1  $V_{CC}$ .

**AC ELECTRICAL CHARACTERISTICS**

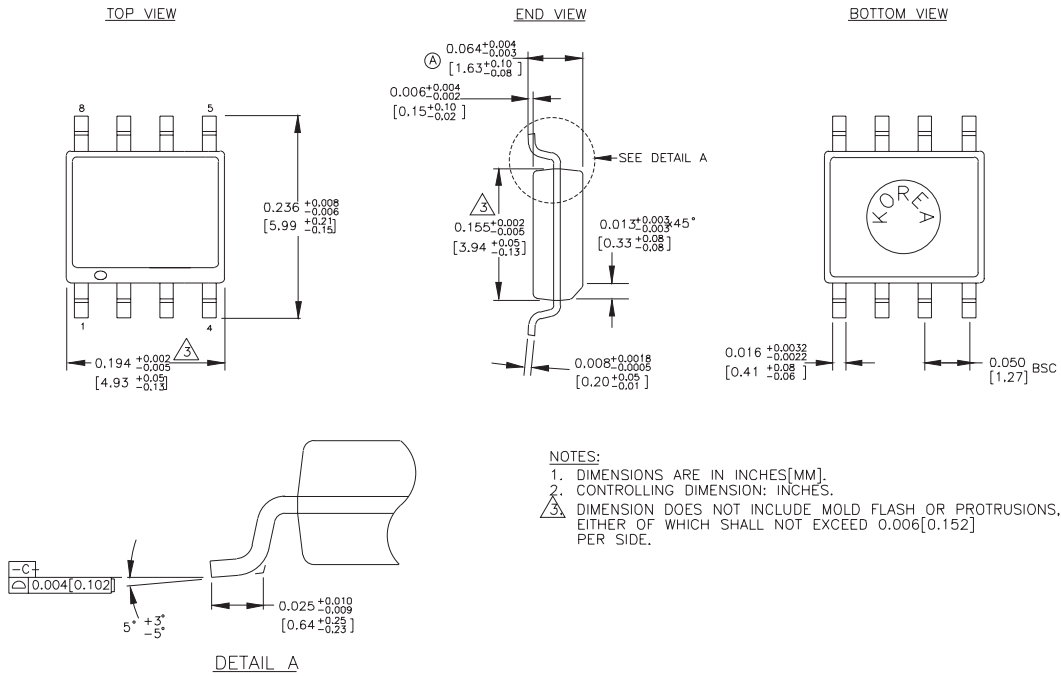
$V_{CC} = +3.0V$  to  $+3.6V$ ,  $GND = 0V$ ;  $T_A = -40^{\circ}C$  to  $+85^{\circ}C$ ; unless noted.

Symbol	Parameter	Condition	Min	Typ	Max	Units
$t_{PD}$	Propagation Delay	$C_L = 20pF$	1.5	1.9	2.5	ns
$t_{skpp}$	Part-to-Part Skew	$C_L = 20pF^{(4, 5)}$			0.5	ns
$f_{MAX}$	Maximum Input Frequency	$C_L = 20pF^{(6)}$	275			MHz
$V_{CMR}$	Common Mode Range		1.2		$V_{CC}$	V
$V_{PP}$	Minimum Peak-to-Peak Input	<b>Note 7</b>	100			mV
$t_r, t_f$	Output Rise/Fall Time (1.0V to 2.0V)	$C_L = 20pF$	0.5		1.0	ns

**Notes:**

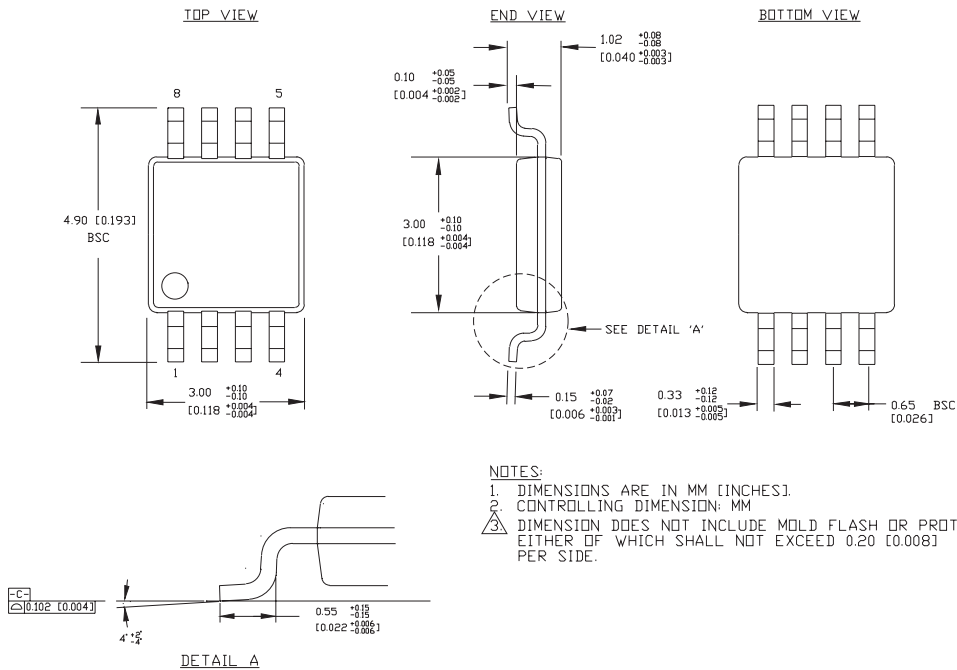
4. Part-to-part skew considering HIGH-to-HIGH transitions at common  $V_{CC}$  level.
5. These parameters are guaranteed but not tested.
6. The  $f_{MAX}$  value is specified as the minimum guaranteed maximum frequency. Actual operational maximum frequency may be greater.
7. 100mV input guarantees full logic at output.

**8-PIN PLASTIC SOIC (Z8-1)**



Rev. 03

**8-PIN MSOP (K8-1)**



Rev. 01

**MICREL, INC. 2180 FORTUNE DRIVE SAN JOSE, CA 95131 USA**

TEL + 1 (408) 944-0800 FAX + 1 (408) 474-1000 WEB <http://www.micrel.com>

The information furnished by Micrel in this data sheet is believed to be accurate and reliable. However, no responsibility is assumed by Micrel for its use. Micrel reserves the right to change circuitry and specifications at any time without notification to the customer.

Micrel Products are not designed or authorized for use as components in life support appliances, devices or systems where malfunction of a product can reasonably be expected to result in personal injury. Life support devices or systems are devices or systems that (a) are intended for surgical implant into the body or (b) support or sustain life, and whose failure to perform can be reasonably expected to result in a significant injury to the user. A Purchaser's use or sale of Micrel Products for use in life support appliances, devices or systems is at Purchaser's own risk and Purchaser agrees to fully indemnify Micrel for any damages resulting from such use or sale.

© 2005 Micrel, Incorporated.

## Looking for pricing, stock, or lifecycle information?

Click below to explore more details on WIN SOURCE:

- ⊖ [View SY100EPT21LZC-TR on WIN SOURCE](#)
- ⊖ [Microchip Technology](#) Information

## Optimize Your Supply Chain with WIN SOURCE Solutions

- ✓ Global Sourcing Solution
- ✓ Obsolete Management
- ✓ Cost Control Management
- ✓ Shortage Management
- ✓ Alternative Solution
- ✓ Excess Inventory Management