

The INCA-P, PSB 21493, integrates in a single chip, all the functions required for a high feature PBX phone.

The line transceiver of the INCA-P implements the subscriber access functions for a digital PBX terminal to be connected to a two-wire U_{PN} Interface. The chip provides complete Layer-1 and basic Layer-2 functions for digital terminals.

Different interfaces allow connection to a variety of devices including a full-speed USB interface for PC host communications.

The INCA-P is typically used in applications for terminal equipment in which the microphone, loudspeaker, headset, and handset can be directly connected to the Analog Front End (AFE).

The AFE and the integrated fixpoint DSP perform signal processing tasks such as encoding, decoding, filtering functions, and tone generation (ringing, audible feedback tones, and DTMF signal). A full-duplex echo cancellation mechanism provides high quality speakerphone functionality.



INCA-P

Applications

- PBX Feature Phone with full-duplex, hands-free operation, including USB interface

Features

- Two-wire transceiver with AMI coded 2B+D channels
- C166 based 16-bit CPU
- Bootstrap Loader Function
- On-Chip General Purpose SRAM (4 KBytes)
- On-Chip Debug System OCDS (Level 1)

- Both Power-on-Reset and Under Voltage Detection provided
- Terminal-specific Functions, including Keypad Scanner, LED Matrix Control, and two Pulse Width Modulation units
- 12 Mbit/s Full-Speed Mode complies with USB Specification V1.1
- 15 SW-configurable Endpoints, as well as the bi-directional Control Endpoint 0
- Full-duplex echo cancellation with noise reduction
- Two transducer correction filters

- Tone Generator
- DTMF Receiver
- Three differential inputs for the handset microphone, speakerphone, and the headset
- Three differential outputs for a handset ear piece (200 Ω), a headset (200 Ω), and a loudspeaker (100 mW @ 20 Ω)
- PCM A-Law/ μ -Law (ITU-T G.711) and 8/16-bit linear data
- PCM Codec is fully compatible with the ITU-T G.712 and ETSI (NET33) specification

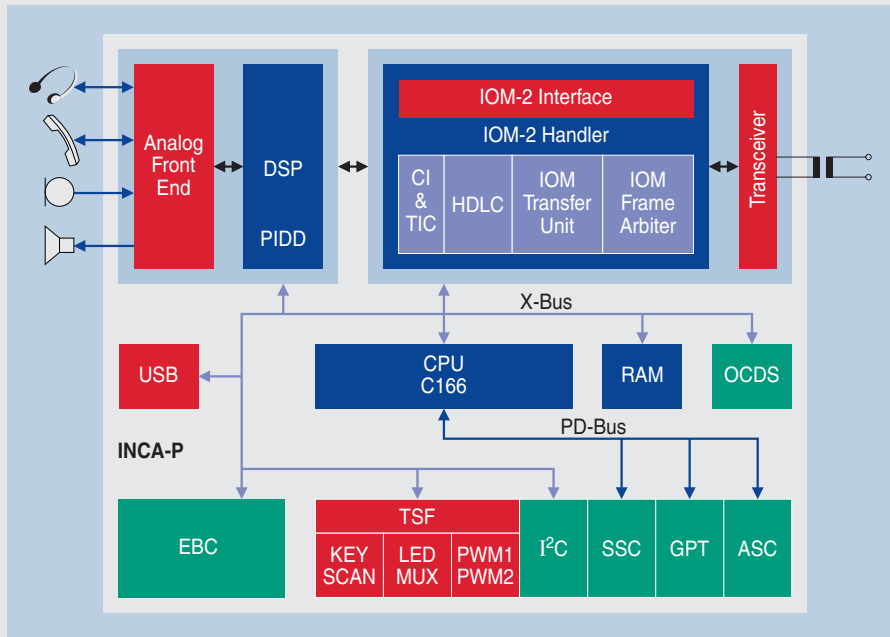
Type	Sales Code	Package
INCA-P	PSB 21493	P-TQFP-144

INCA-P

Infineon Codec with U_{PN} Transceiver and Embedded Microcontroller featuring Acoustic Echo Cancellation
PSB 21493



Block Diagram

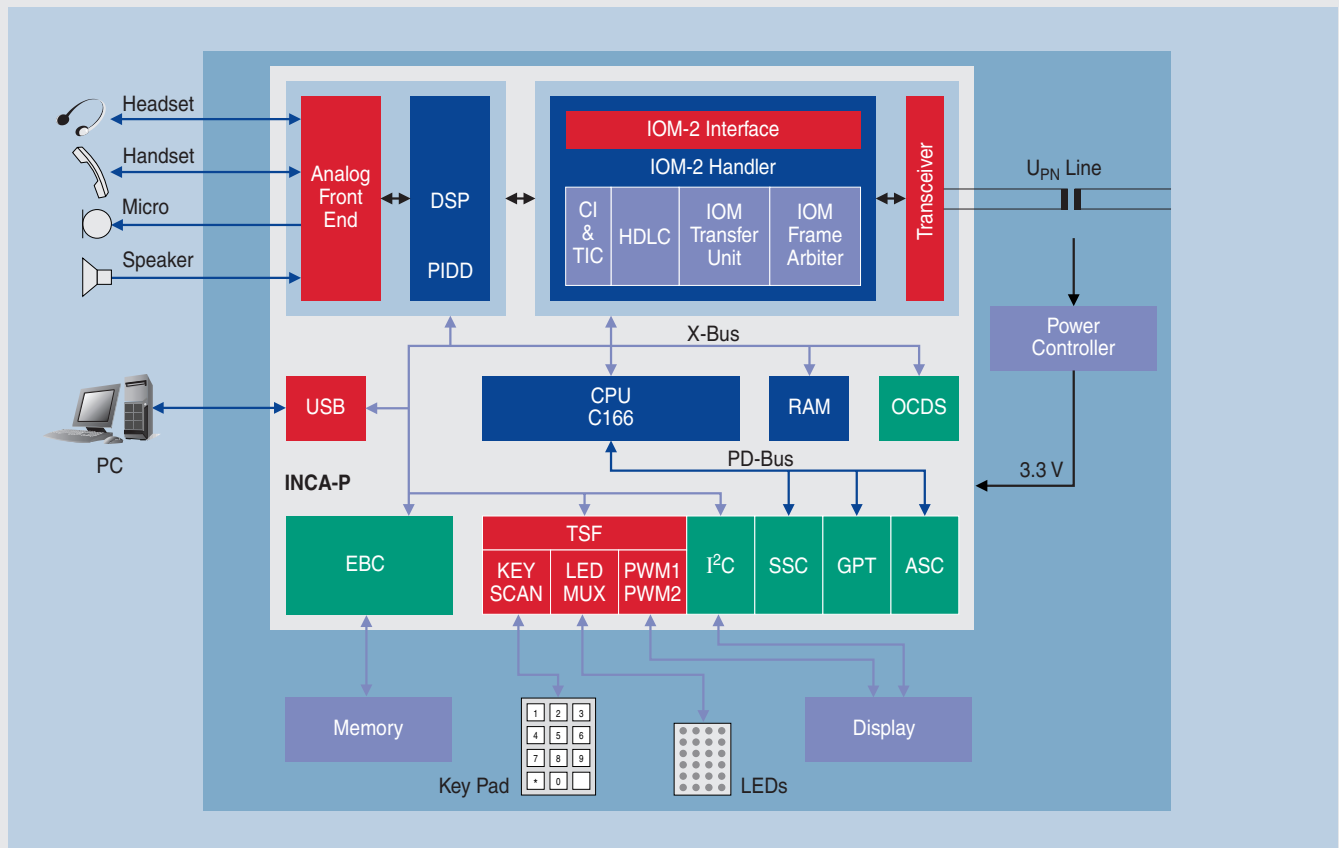


The typical application of the INCA-P is for terminal equipment in which the microphone, loud-speaker, headset, and handset are directly connected to the Analog Front End.

Connection between telephone and PC offers a lot of new features - such as internet telephony, PC dialing and unified messaging - that can be implemented without additional hardware.

The INCA-P can also be used when the line transceiver is disabled but all other functions are available, such as operation in devices where an external interface is also supported.

Application Example High-End Feature Phone



How to reach us:
<http://www.infineon.com>

Published by
Infineon Technologies AG,
 St.-Martin-Strasse 53,
 81541 München

© Infineon Technologies AG 2001. All Rights Reserved.

Attention please!

The information herein is given to describe certain components and shall not be considered as warranted characteristics.

Terms of delivery and rights to technical change reserved.

We hereby disclaim any and all warranties, including but not limited to warranties of non-infringement, regarding circuits, descriptions and charts stated herein.

Infineon Technologies is an approved CECC manufacturer.

Information

For further information on technology, delivery terms and conditions and prices please contact your nearest Infineon Technologies Office in Germany or our Infineon Technologies Representatives worldwide.



Warnings

Due to technical requirements components may contain dangerous substances. For information on the types in question please contact your nearest Infineon Technologies Office.

Infineon Technologies Components may only be used in life-support devices or systems with the express written approval of Infineon Technologies, if a failure of such components can reasonably be expected to cause the failure of that life-support device or system, or to affect the safety or effectiveness of that device or system. Life support devices or systems are intended to be implanted in the human body, or to support and/or maintain and sustain and/or protect human life. If they fail, it is reasonable to assume that the health of the user or other persons may be endangered.

Looking for pricing, stock, or lifecycle information?

Click below to explore more details on WIN SOURCE:

-  [View PSB 21493 H V1.7 on WIN SOURCE](#)
-  [Infineon Technologies Information](#)

Optimize Your Supply Chain with WIN SOURCE Solutions

-  Global Sourcing Solution
-  Obsolete Management
-  Cost Control Management
-  Shortage Management
-  Alternative Solution
-  Excess Inventory Management