



**THE DATASHEET OF  
TCA9517ADGKR**



## TCA9517A Level-Shifting I<sup>2</sup>C Bus Repeater

### 1 Features

- Two-Channel Bidirectional Buffer
- I<sup>2</sup>C Bus and SMBus Compatible
- Operating Supply Voltage Range of 0.9 V to 5.5 V on A-side
- Operating Supply Voltage Range of 2.7 V to 5.5 V on B-side
- Voltage-Level Translation From 0.9 V - 5.5 V to 2.7 V - 5.5 V
- Footprint and Functional Replacement for PCA9515B
- Active-High Repeater-Enable Input
- Open-Drain I<sup>2</sup>C I/O
- 5.5-V Tolerant I<sup>2</sup>C and Enable Input Support Mixed-Mode Signal Operation
- Accommodates Standard Mode and Fast Mode I<sup>2</sup>C Devices and Multiple Masters
- High-Impedance I<sup>2</sup>C Pins When Powered-Off
- Latch-Up Performance Exceeds 100 mA Per JESD 78, Class II
- ESD Protection Exceeds JESD 22
  - 5500 V Human-Body Model (A114-A)
  - 200 V Machine Model (A115-A)
  - 1000 V Charged-Device Model (C101)

### 2 Applications

- Servers
- Routers (Telecom Switching Equipment)
- Industrial Equipment
- Products with Many I<sup>2</sup>C Slaves and/or Long PCB Traces

### 3 Description

The TCA9517A is a bidirectional buffer with level shifting capabilities for I<sup>2</sup>C and SMBus systems. It provides bidirectional voltage-level translation (up-translation/down-translation) between low voltages (down to 0.9 V) and higher voltages (2.7 V to 5.5 V) in mixed-mode applications. This device enables I<sup>2</sup>C and SMBus systems to be extended without degradation of performance, even during level shifting.

The TCA9517A buffers both the serial data (SDA) and the serial clock (SCL) signals on the I<sup>2</sup>C bus, thus allowing two buses of up to 400-pF bus capacitance to be connected in an I<sup>2</sup>C application.

The TCA9517A has two types of drivers: A-side drivers and B-side drivers. All inputs and I/Os are over-voltage tolerant to 5.5 V, even when the device is unpowered ( $V_{CCB}$  and/or  $V_{CCA} = 0$  V).

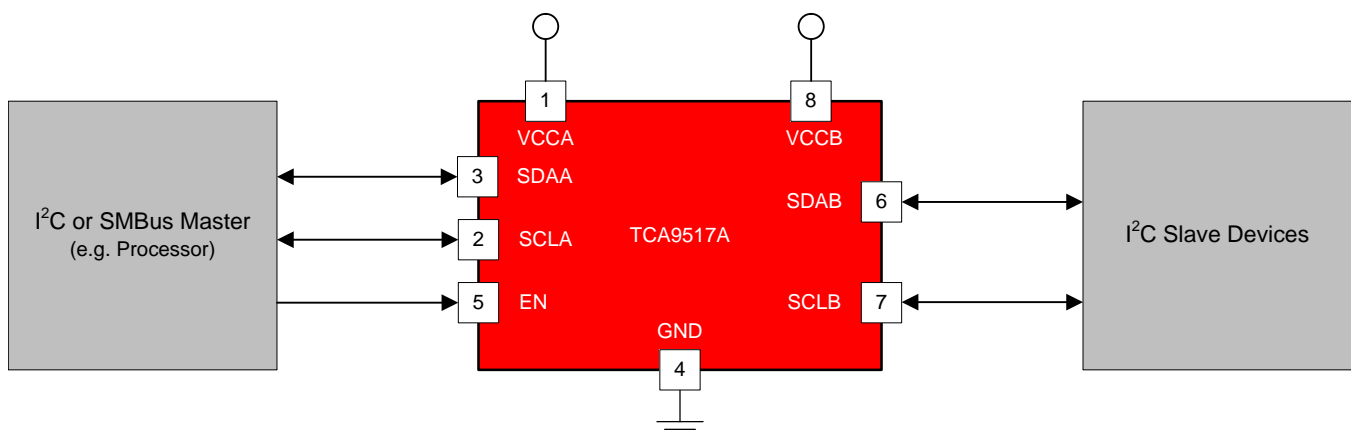
The TCA9517A offers a higher contention level threshold,  $V_{ILC}$ , than the TCA9517, which allows connections to slaves which have weaker pulldown ability.

#### Device Information<sup>(1)</sup>

PART NUMBER	PACKAGE	BODY SIZE (NOM)
TCA9517A	VSSOP (8)	3.00 mm x 3.00 mm

(1) For all available packages, see the orderable addendum at the end of the datasheet.

#### Simplified Schematic



## Table of Contents

<b>1 Features</b> .....	<b>1</b>	9.2 Functional Block Diagram .....	<b>10</b>
<b>2 Applications</b> .....	<b>1</b>	9.3 Feature Description .....	<b>11</b>
<b>3 Description</b> .....	<b>1</b>	9.4 Device Functional Modes .....	<b>11</b>
<b>4 Revision History</b> .....	<b>2</b>	<b>10 Application and Implementation</b> .....	<b>12</b>
<b>5 Description (continued)</b> .....	<b>3</b>	10.1 Application Information .....	<b>12</b>
<b>6 Pin Configuration and Functions</b> .....	<b>4</b>	10.2 Typical Application .....	<b>12</b>
<b>7 Specifications</b> .....	<b>4</b>	<b>11 Power Supply Recommendations</b> .....	<b>15</b>
7.1 Absolute Maximum Ratings .....	<b>4</b>	<b>12 Layout</b> .....	<b>16</b>
7.2 ESD Ratings .....	<b>5</b>	12.1 Layout Guidelines .....	<b>16</b>
7.3 Recommended Operating Conditions .....	<b>5</b>	12.2 Layout Example .....	<b>16</b>
7.4 Thermal Information .....	<b>5</b>	<b>13 Device and Documentation Support</b> .....	<b>17</b>
7.5 Electrical Characteristics .....	<b>6</b>	13.1 Receiving Notification of Documentation Updates .....	<b>17</b>
7.6 Timing Requirements .....	<b>6</b>	13.2 Community Resource .....	<b>17</b>
7.7 I <sup>2</sup> C Interface Switching Characteristics .....	<b>7</b>	13.3 Trademarks .....	<b>17</b>
7.8 Typical Characteristics .....	<b>8</b>	13.4 Electrostatic Discharge Caution .....	<b>17</b>
<b>8 Parameter Measurement Information</b> .....	<b>9</b>	13.5 Glossary .....	<b>17</b>
<b>9 Detailed Description</b> .....	<b>10</b>	<b>14 Mechanical, Packaging, and Orderable Information</b> .....	<b>17</b>
9.1 Overview .....	<b>10</b>		

## 4 Revision History

NOTE: Page numbers for previous revisions may differ from page numbers in the current version.

<b>Changes from Revision B (June 2015) to Revision C</b>	<b>Page</b>
• Changed the appearance of the DGK pin out image .....	<b>4</b>
• Deleted $V_{CCA} < V_{CCB}$ from the <i>Design Requirements</i> list .....	<b>12</b>

<b>Changes from Revision A (April 2013) to Revision B</b>	<b>Page</b>
• Added <i>Pin Configuration and Functions</i> section, <i>ESD Ratings</i> table, <i>Feature Description</i> section, <i>Device Functional Modes</i> , <i>Application and Implementation</i> section, <i>Power Supply Recommendations</i> section, <i>Layout</i> section, <i>Device and Documentation Support</i> section, and <i>Mechanical, Packaging, and Orderable Information</i> section .....	<b>1</b>
• Removed Ordering Information table. ....	<b>3</b>

<b>Changes from Original (December 2012) to Revision A</b>	<b>Page</b>
• Updated the TOP-SIDE MARKING column of the ORDERING INFORMATION TABLE .....	<b>3</b>

## 5 Description (continued)

The type of buffer design on the B-side prevents it from being used in series with devices which use static voltage offset. This is because these devices do not recognize buffered low signals as a valid low and do not propagate it as a buffered low again.

The B-side drivers operate from 2.7 V to 5.5 V. The output low level for this internal buffer is approximately 0.5 V, but the input voltage must be 70 mV or more below the output low level when the output internally is driven low. The higher-voltage low signal is called a buffered low. When the B-side I/O is driven low internally, the low is not recognized as a low by the input. This feature prevents a lockup condition from occurring when the input low condition is released.

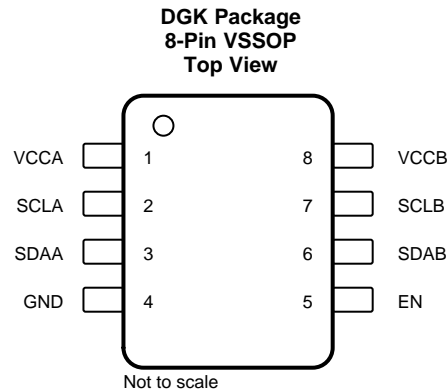
The A-side drivers operate from 0.9 V to 5.5 V and drive more current. They do not require the buffered low feature (or the static offset voltage). This means that a low signal on the B-side translates to a nearly 0 V low on the A-side, which accommodates smaller voltage swings of lower-voltage logic. The output pulldown on the A-side drives a hard low, and the input level is set at  $0.3 \times V_{CCA}$  to accommodate the need for a lower low level in systems where the low-voltage-side supply voltage is as low as 0.9 V.

The A-side of two or more TCA9517As can be connected together, allowing many topographies (See [Figure 8](#) and [Figure 9](#)), with the A-side as the common bus. Also, the A-side can be connected directly to any other buffer with static- or dynamic-offset voltage. Multiple TCA9517As can be connected in series, A-side to B-side, with no buildup in offset voltage and with only time-of-flight delays to consider. The TCA9517A cannot be connected B-side to B-side, because of the buffered low voltage from the B-side. The B-side cannot be connected to a device with rise time accelerators.

VCCA is only used to provide the  $0.3 \times V_{CCA}$  reference to the A-side input comparators and for the power-good-detect circuit. The TCA9517A logic and all I/Os are powered by the VCCB pin.

As with the standard I<sup>2</sup>C system, pullup resistors are required to provide the logic-high levels on the buffered bus. The TCA9517A has standard open-drain configuration of the I<sup>2</sup>C bus. The size of these pullup resistors depends on the system, but each side of the repeater must have a pullup resistor. The device is designed to work with Standard mode and Fast mode I<sup>2</sup>C devices in addition to SMBus devices. Standard mode I<sup>2</sup>C devices only specify 3 mA in a generic I<sup>2</sup>C system, where Standard mode devices and multiple masters are possible. Under certain conditions, higher termination currents can be used.

## 6 Pin Configuration and Functions



### Pin Functions

PIN		TYPE	DESCRIPTION
NO.	NAME		
1	VCCA	Supply	A-side supply voltage (0.9 V to 5.5 V)
2	SCLA	Input/Output	Serial clock bus, A-side. Connect to $V_{CCA}$ through a pull-up resistor. If unused, connect directly to ground.
3	SDAA	Input/Output	Serial data bus, A-side. Connect to $V_{CCA}$ through a pull-up resistor. If unused, connect directly to ground.
4	GND	Ground	Ground
5	EN	Input	Active-high repeater enable input
6	SDAB	Input/Output	Serial data bus, B-side. Connect to $V_{CCB}$ through a pull-up resistor. If unused, connect directly to ground.
7	SCLB	Input/Output	Serial clock bus, B-side. Connect to $V_{CCB}$ through a pull-up resistor. If unused, connect directly to ground.
8	VCCB	Supply	B-side and device supply voltage (2.7 V to 5.5 V)

## 7 Specifications

### 7.1 Absolute Maximum Ratings

over operating free-air temperature range (unless otherwise noted)<sup>(1)</sup>

		MIN	MAX	UNIT
$V_{CCB}$	Supply voltage range	-0.5	7	V
$V_{CCA}$	Supply voltage range	-0.5	7	V
$V_I$	Enable input voltage range <sup>(2)</sup>	-0.5	7	V
$V_{I/O}$	I <sup>2</sup> C bus voltage range <sup>(2)</sup>	-0.5	7	V
$I_{IK}$	Input clamp current		-50	mA
$I_{OK}$	Output clamp current		-50	
$I_O$	Continuous output current		±50	mA
	Continuous current through $V_{CC}$ or GND		±100	
$T_{stg}$	Storage temperature range	-65	150	°C

- (1) Stresses beyond those listed under *Absolute Maximum Ratings* may cause permanent damage to the device. These are stress ratings only, which do not imply functional operation of the device at these or any other conditions beyond those indicated under *Recommended Operating Conditions*. Exposure to absolute-maximum-rated conditions for extended periods may affect device reliability.
- (2) The input negative-voltage and output voltage ratings may be exceeded if the input and output current ratings are observed.

## 7.2 ESD Ratings

		VALUE	UNIT
V <sub>(ESD)</sub>	Electrostatic discharge	Human body model (HBM), per ANSI/ESDA/JEDEC JS-001 <sup>(1)</sup>	±5500
		Charged-device model (CDM), per JEDEC specification JESD22-C101 <sup>(2)</sup>	±1000
		Machine model (A115-A)	±200

(1) JEDEC document JEP155 states that 500 V HBM allows safe manufacturing with a standard ESD control process.

(2) JEDEC document JEP157 states that 250 V CDM allows safe manufacturing with a standard ESD control process.

## 7.3 Recommended Operating Conditions

		MIN	MAX	UNIT
V <sub>CCA</sub>	Supply voltage, A-side bus	0.9 <sup>(1)</sup>	5.5	V
V <sub>CCB</sub>	Supply voltage, B-side bus	2.7	5.5	V
V <sub>IH</sub>	High-level input voltage	SDAA, SCLA	0.7 × V <sub>CCA</sub>	5.5
		SDAB, SCLB	0.7 × V <sub>CCB</sub>	5.5
		EN	0.7 × V <sub>CCB</sub>	5.5
V <sub>IL</sub>	Low-level input voltage	SDAA, SCLA	0.3 × V <sub>CCA</sub>	V
		SDAB, SCLB <sup>(2)</sup>	0.3 × V <sub>CCB</sub>	
		EN	0.3 × V <sub>CCB</sub>	
I <sub>OL</sub>	Low-level output current		6	mA
T <sub>A</sub>	Operating free-air temperature	−40	85	°C

(1) Low-level supply voltage

(2) V<sub>IL</sub> specification is for the first low level seen by the SDAB and SCLB lines. V<sub>ILC</sub> is for the second and subsequent low levels seen by the SDAB and SCLB lines. See [V<sub>ILC</sub> and Pullup Resistor Sizing](#) for V<sub>ILC</sub> application information

## 7.4 Thermal Information

THERMAL METRIC <sup>(1)</sup>		TCA9517A	
		DGK (VSSOP)	
		8 PINS	
			UNIT
R <sub>θJA</sub>	Junction-to-ambient thermal resistance	187.6	°C/W
R <sub>θJC(top)</sub>	Junction-to-case (top) thermal resistance	59.3	°C/W
R <sub>θJB</sub>	Junction-to-board thermal resistance	108.6	°C/W
ψ <sub>JT</sub>	Junction-to-top characterization parameter	3.4	°C/W
ψ <sub>JB</sub>	Junction-to-board characterization parameter	106.9	°C/W

(1) For more information about traditional and new thermal metrics, see the *Semiconductor and IC Package Thermal Metrics* application report, [SPRA953](#).

## 7.5 Electrical Characteristics

 $V_{CCB} = 2.7\text{ V to }5.5\text{ V}$ ,  $GND = 0\text{ V}$ ,  $T_A = -40^\circ\text{C to }85^\circ\text{C}$  (unless otherwise noted)

PARAMETER		TEST CONDITIONS	$V_{CCB}$	MIN	TYP	MAX	UNIT	
$V_{IK}$	Input clamp voltage	$I_I = -18\text{ mA}$	2.7 V to 5.5 V			-1.2	V	
$V_{OL}$	Low-level output voltage	SDAB, SCLB $I_{OL} = 100\ \mu\text{A}$ or $6\text{ mA}$ , $V_{ILA} = V_{ILB} = 0\text{ V}$	2.7 V to 5.5 V	0.45	0.52	0.6	V	
		SDAA, SCLA $I_{OL} = 6\text{ mA}$			0.1	0.2		
$V_{OL} - V_{ILC}$	Low-level input voltage below low-level output voltage	SDAB, SCLB ensured by design	2.7 V to 5.5 V		70		mV	
$V_{ILC}$	SDA and SCL low-level input voltage contention	SDAB, SCLB	2.7 V to 5.5 V		0.45		V	
$I_{CC}$	Quiescent supply current for $V_{CCA}$	Both channels low, SDAA = SCLA = GND and SDAB = SCLB = open, or SDAA = SCLA = open and SDAB = SCLB = GND				1	mA	
$I_{CC}$	Quiescent supply current	Both channels high, SDAA = SCLA = $V_{CCA}$ and SDAB = SCLB = $V_{CCB}$ and EN = $V_{CCB}$	5.5 V		1.5	5	mA	
		Both channels low, SDAA = SCLA = GND and SDAB = SCLB = open			1.5	5		
		In contention, SDAA = SCLA = GND and SDAB = SCLB = GND			3	5		
$I_I$	Input leakage current	SDAB, SCLB	2.7 V to 5.5 V			$V_I = V_{CCB}$	$\pm 1$	
						$V_I = 0.2\text{ V}$	10	
		SDAA, SCLA				$V_I = V_{CCB}$	$\pm 1$	
						$V_I = 0.2\text{ V}$	10	
		EN				$V_I = V_{CCB}$	$\pm 1$	
						$V_I = 0.2\text{ V}$	-10 -30	
$I_{OH}$	High-level output leakage current	SDAB, SCLB	2.7 V to 5.5 V			10	$\mu\text{A}$	
		SDAA, SCLA				$V_O = 3.6\text{ V}$		10
$C_I$	Input capacitance	EN	3.3 V			6	pF	
		SCLA, SCLB				$V_I = 3\text{ V or }0\text{ V}$		8
						$V_I = 3\text{ V or }0\text{ V}$		13
$C_{IO}$	Input/output capacitance	SDAA, SDAB	3.3 V			8	pF	
						$V_I = 3\text{ V or }0\text{ V}$		13
								$V_I = 3\text{ V or }0\text{ V}$

## 7.6 Timing Requirements

over recommended operating free-air temperature range (unless otherwise noted)

		MIN	MAX	UNIT
$t_{su}$	Setup time, EN high before Start condition <sup>(1)</sup>	100		ns
$t_h$	Hold time, EN high after Stop condition <sup>(1)</sup>	100		ns

(1) EN should change state only when the global bus and the repeater port are in an idle state.

## 7.7 I<sup>2</sup>C Interface Switching Characteristics

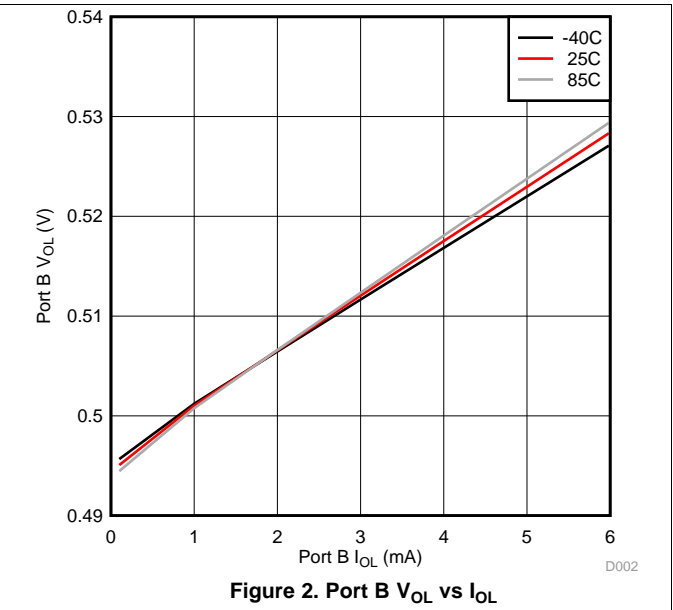
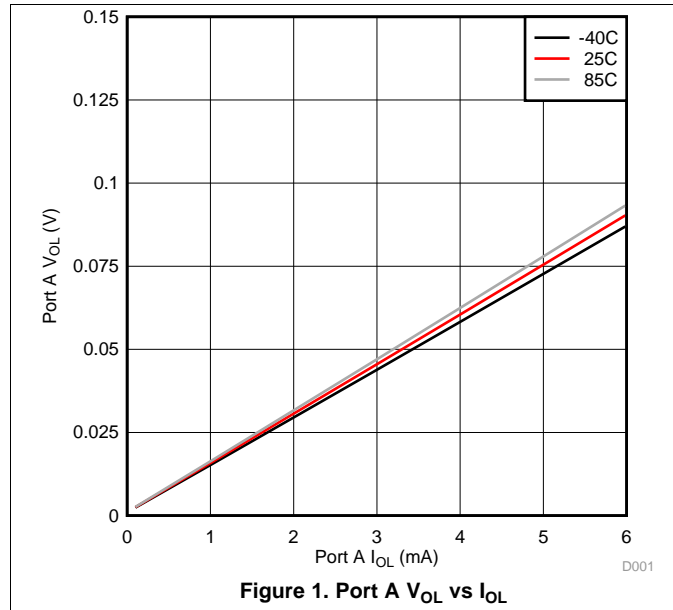
 $V_{CCB} = 2.7\text{ V to }5.5\text{ V}$ ,  $GND = 0\text{ V}$ ,  $T_A = -40^\circ\text{C to }85^\circ\text{C}$  (unless otherwise noted)<sup>(1)</sup> <sup>(2)</sup>

PARAMETER		FROM (INPUT)	TO (OUTPUT)	TEST CONDITIONS	MIN	TYP <sup>(3)</sup>	MAX	UNIT	
$t_{PLZ}$	Propagation delay	SDAB, SCLB <sup>(4)</sup> (see Figure 6)	SDAA, SCLA <sup>(4)</sup> (see Figure 6)		80	141	350	ns	
		SDAA, SCLA <sup>(5)</sup> (see Figure 5)	SDAB, SCLB <sup>(5)</sup> (see Figure 5)		25	74	110		
$t_{PZL}$	Propagation delay	SDAB, SCLB	SDAA, SCLA	$V_{CCA} \leq 2.7\text{ V}$ (see Figure 4)	30	76 <sup>(6)</sup>	110	ns	
				$V_{CCA} \geq 3\text{ V}$ (see Figure 4)	10	86	230		
		SDAA, SCLA <sup>(5)</sup> (see Figure 5)	SDAB, SCLB <sup>(5)</sup> (see Figure 5)		60	107	230		
$t_{TLH}$	Transition time	B-side to A side	80%	20%	$V_{CCA} \leq 2.7\text{ V}$ (see Figure 5)	10	12	15	ns
		A side to B-side (see Figure 4)			$V_{CCA} \geq 3\text{ V}$ (see Figure 5)	40	42	45	
						110	125	140	
$t_{THL}$	Transition time	B-side to A side	80%	20%	$V_{CCA} \leq 2.7\text{ V}$ (see Figure 5)	1	52 <sup>(6)</sup>	105	ns
		A side to B-side (see Figure 4)			$V_{CCA} \geq 3\text{ V}$ (see Figure 5)	20	67	175	
						30	48	90	

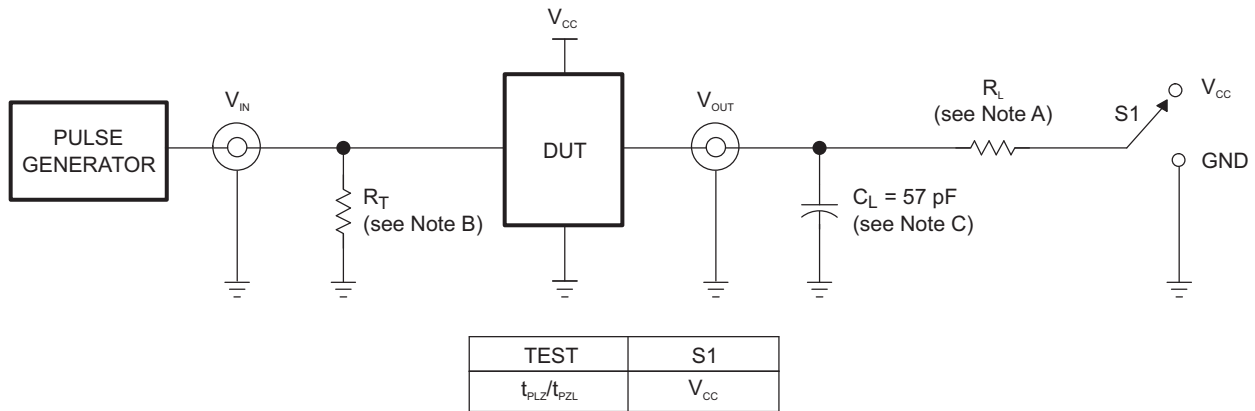
- (1) Times are specified with loads of 1.35-k $\Omega$  pull-up resistance and 50-pF load capacitance on the B-side and 167- $\Omega$  pull-up and 57-pF load capacitance on the A side. Different load resistance and capacitance alter the RC time constant, thereby changing the propagation delay and transition times.
- (2) pull-up voltages are  $V_{CCA}$  on the A side and  $V_{CCB}$  on the B-side.
- (3) Typical values were measured with  $V_{CCA} = V_{CCB} = 3.3\text{ V}$  at  $T_A = 25^\circ\text{C}$ , unless otherwise noted.
- (4) The  $t_{PLH}$  delay data from B to A side is measured at 0.4 V on the B-side to 0.5  $V_{CCA}$  on the A side when  $V_{CCA}$  is less than 2 V, and 1.5 V on the A side if  $V_{CCA}$  is greater than 2 V.
- (5) The proportional delay data from A to B-side is measured at 0.3  $V_{CCA}$  on the A side to 1.5 V on the B-side.
- (6) Typical value measured with  $V_{CCA} = 2.7\text{ V}$  at  $T_A = 25^\circ\text{C}$

## 7.8 Typical Characteristics

$V_{CCA} = 0.9\text{ V}$ ,  $V_{CCB} = 2.7\text{ V}$



## 8 Parameter Measurement Information



TEST CIRCUIT FOR OPEN-DRAIN OUTPUT

Copyright © 2017, Texas Instruments Incorporated

- A.  $R_L = 167 \Omega$  (0.9 V to 2.7 V) and  $R_L = 450 \Omega$  (3.0 V to 5.5 V) on the A side and 1.35 k $\Omega$  on the B-side
- B.  $R_T$  termination resistance should be equal to  $Z_{OUT}$  of pulse generators.
- C.  $C_L$  includes probe and jig capacitance.
- D. All input pulses are supplied by generators having the following characteristics: PRR  $\leq 10$  MHz,  $Z_O = 50 \Omega$ , slew rate  $\geq 1$  V/ns.
- E. The outputs are measured one at a time, with one transition per measurement.
- F.  $t_{PLH}$  and  $t_{PHL}$  are the same as  $t_{pd}$ .
- G.  $t_{PLZ}$  and  $t_{PHZ}$  are the same as  $t_{dis}$ .
- H.  $t_{PZL}$  and  $t_{PZH}$  are the same as  $t_{en}$ .

Figure 3. Test Circuit

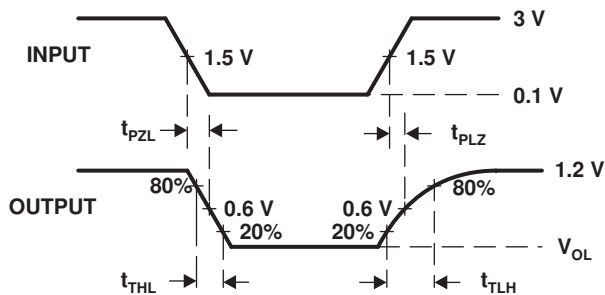


Figure 4. Waveform 1 – Propagation Delay and Transition Times for B-side to A-side

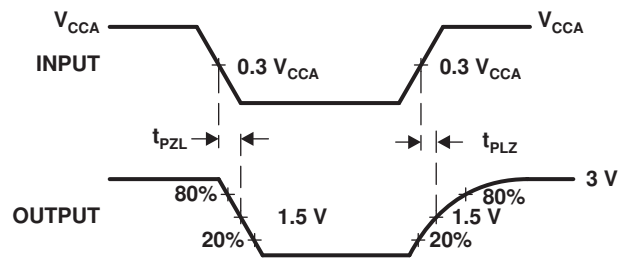


Figure 5. Waveform 2 – Propagation Delay and Transition Times for A-side to B-side

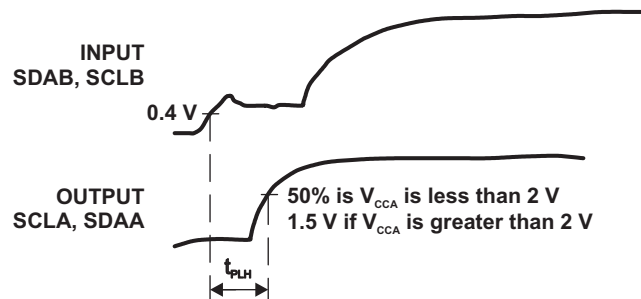


Figure 6. Waveform 3 – Propagation Delay for B-side to A-side

## 9 Detailed Description

### 9.1 Overview

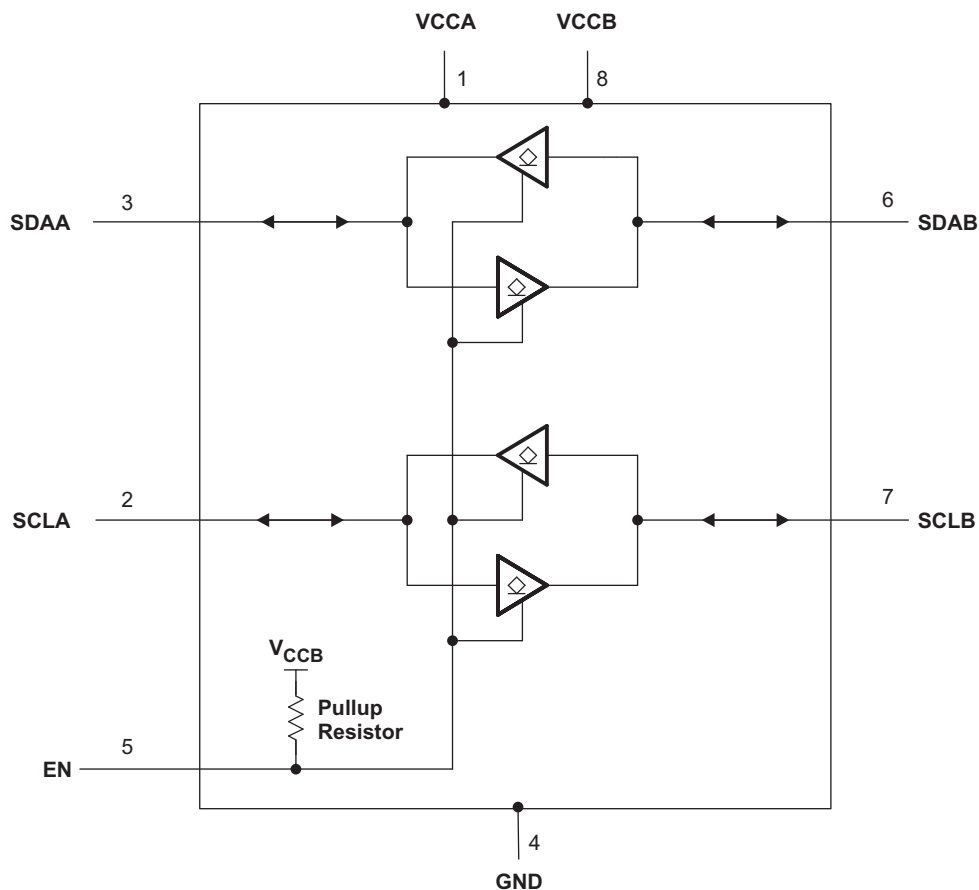
The TCA9517A is a bidirectional buffer with level shifting capabilities for I<sup>2</sup>C and SMBus systems. It provides bidirectional voltage-level translation (up-translation/down-translation) between low voltages (down to 0.9 V) and higher voltages (2.7 V to 5.5 V) in mixed-mode applications. This device enables I<sup>2</sup>C and SMBus systems to be extended without degradation of performance, even during level shifting.

The TCA9517A buffers both the serial data (SDA) and the serial clock (SCL) signals on the I<sup>2</sup>C bus, thus allowing two buses of up to 400-pF bus capacitance to be connected in an I<sup>2</sup>C application.

The TCA9517A has two types of drivers: A-side drivers and B-side drivers. All inputs and I/Os are over-voltage tolerant to 5.5 V, even when the device is unpowered ( $V_{CCB}$  and/or  $V_{CCA} = 0$  V).

The TCA9517A offers a higher contention level threshold,  $V_{ILC}$ , than the TCA9517, which allows connections to slaves which have weaker pull-down ability.

### 9.2 Functional Block Diagram



## 9.3 Feature Description

### 9.3.1 Two-Channel Bidirectional Buffer

The TCA9517A is a two-channel bidirectional buffer with level-shifting capabilities

### 9.3.2 Active-High Repeater-Enable Input

The TCA9517A has an active-high enable (EN) input with an internal pull-up to  $V_{CCB}$ , which allows the user to select when the repeater is active. This can be used to isolate a badly behaved slave on power-up reset. The EN input should change state only when the global bus and repeater port are in an idle state, to prevent system failures.

### 9.3.3 $V_{OL}$ B-Side Offset Voltage

The B-side drivers operate from 2.7 V to 5.5 V. The output low level for this internal buffer is approximately 0.5 V, but the input voltage must be 70 mV or more below the output low level when the output internally is driven low. The higher-voltage low signal is called a buffered low. When the B-side I/O is driven low internally, the low is not recognized as a low by the input. This feature prevents a lockup condition from occurring when the input low condition is released. This type of design prevents 2 B-side ports from being connected to each other.

### 9.3.4 Standard Mode and Fast Mode Support

The TCA9517A supports standard mode as well as fast mode  $I^2C$ . The maximum system operating frequency will depend on system design and the delays added by the repeater.

### 9.3.5 Clock Stretching Support

The TCA9517A can support clock stretching, but care needs to be taken to minimize the overshoot voltage presented during the hand-off between the slave and master. This is best done by increasing the pull-up resistor value.

## 9.4 Device Functional Modes

**Table 1. Function Table**

INPUT EN	FUNCTION
L	Outputs disabled
H	SDAA = SDAB SCLA = SCLB

## 10 Application and Implementation

### NOTE

Information in the following applications sections is not part of the TI component specification, and TI does not warrant its accuracy or completeness. TI's customers are responsible for determining suitability of components for their purposes. Customers should validate and test their design implementation to confirm system functionality.

### 10.1 Application Information

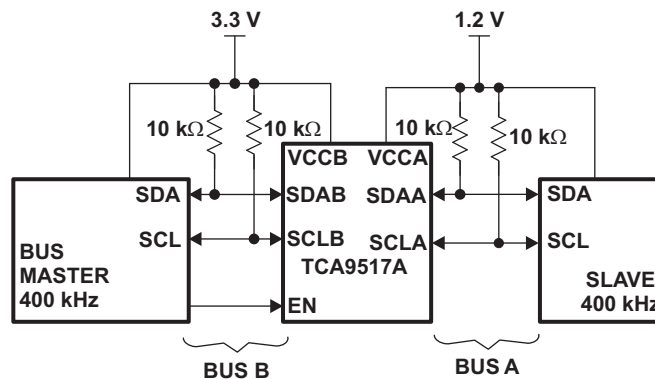
A typical application is shown in [Figure 7](#). In this example, the system master is running on a 3.3 V I<sup>2</sup>C bus, and the slave is connected to a 1.2 V I<sup>2</sup>C bus. Both buses run at 400 kHz. Master devices can be placed on either bus.

The TCA9517A is 5-V tolerant, so it does not require any additional circuitry to translate between 0.9 V to 5.5 V bus voltages and 2.7 V to 5.5 V bus voltages.

When the A side of the TCA9517A is pulled low by a driver on the I<sup>2</sup>C bus, a comparator detects the falling edge when it goes below  $0.3 \times V_{CCB}$  and causes the internal driver on the B-side to turn on, causing the B-side to pull down to about 0.5 V. When the B-side of the TCA9517A falls, first a CMOS hysteresis-type input detects the falling edge and causes the internal driver on the A side to turn on and pull the A-side pin down to ground. In order to illustrate what would be seen in a typical application, refer to [Figure 9](#) and [Figure 10](#). If the bus master in [Figure 7](#) were to write to the slave through the TCA9517A, waveforms shown in [Figure 9](#) would be observed on the A bus. This looks like a normal I<sup>2</sup>C transmission, except that the high level may be as low as 0.9 V, and the turn on and turn off of the acknowledge signals are slightly delayed.

On the B-side bus of the TCA9517A, the clock and data lines would have a positive offset from ground equal to the  $V_{OL}$  of the TCA9517A. After the eighth clock pulse, the data line is pulled to the  $V_{OL}$  of the slave device, which is very close to ground in this example. At the end of the acknowledge, the level rises only to the low level set by the driver in the TCA9517A for a short delay, while the A-bus side rises above  $0.3 \times V_{CCA}$  and then continues high.

### 10.2 Typical Application



**Figure 7. Typical Application Schematic**

#### 10.2.1 Design Requirements

For the level translating application, the following should be true:

- $V_{CCA} = 0.9 \text{ V to } 5.5 \text{ V}$
- $V_{CCB} = 2.7 \text{ to } 5.5 \text{ V}$
- B-side ports must not be connected together

Typical Application (continued)

10.2.2 Detailed Design Procedure

10.2.2.1 Clock Stretching Support

The TCA9517A can support clock stretching, but care needs to be taken to minimize the overshoot voltage presented during the hand-off between the slave and master. This is best done by increasing the pull-up resistor value.

10.2.2.2  $V_{ILC}$  and Pullup Resistor Sizing

For the TCA9517A to function correctly, all devices on the B-side must be able to pull the B-side below the voltage input low contention level ( $V_{ILC}$ ). This means that the  $V_{OL}$  of any device on the B-side must be below 0.45 V.

$V_{OL}$  of a device can be adjusted by changing the  $I_{OL}$  through the device which is set by the pull-up resistance value. The pull-up resistance on the B-side must be carefully selected to ensure that logic levels will be transferred correctly to the A-side.

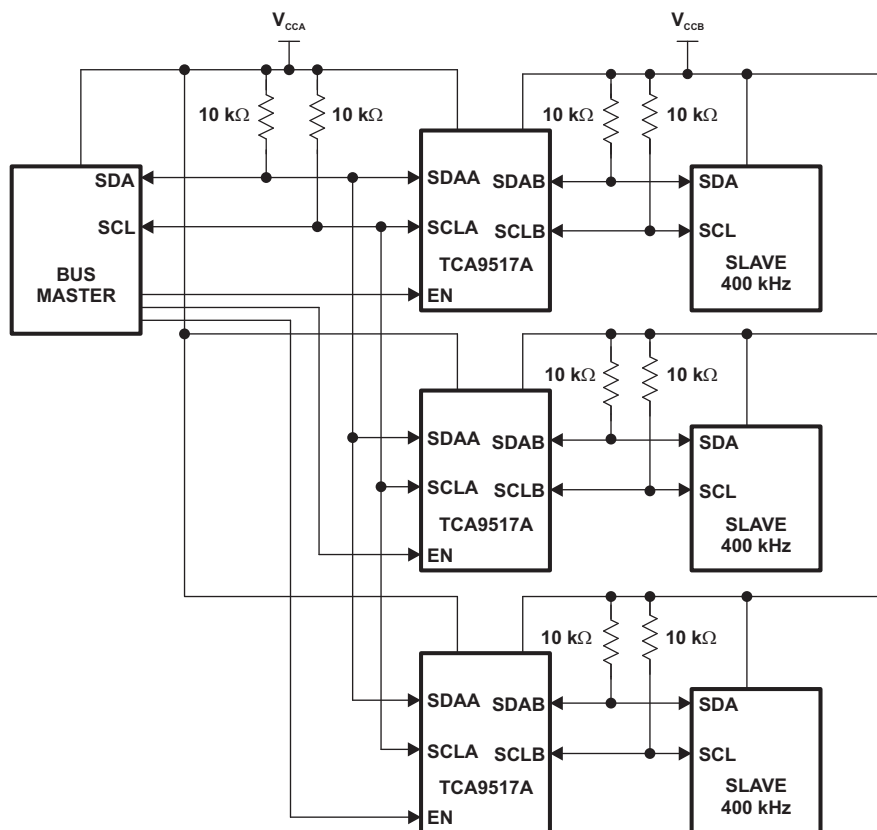
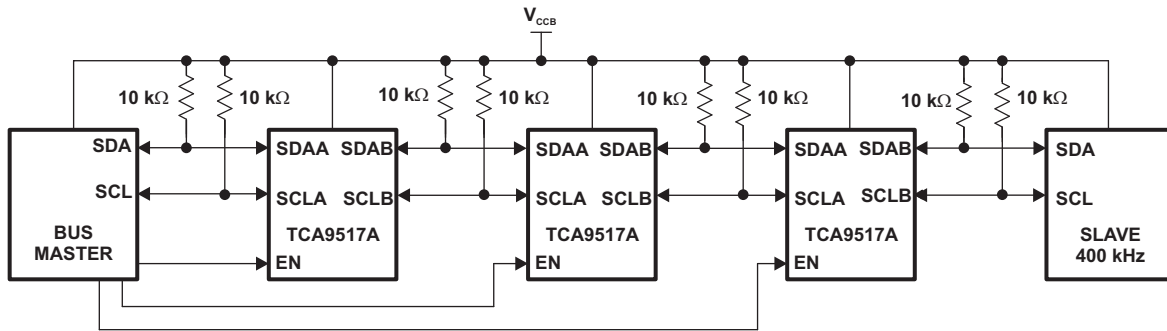
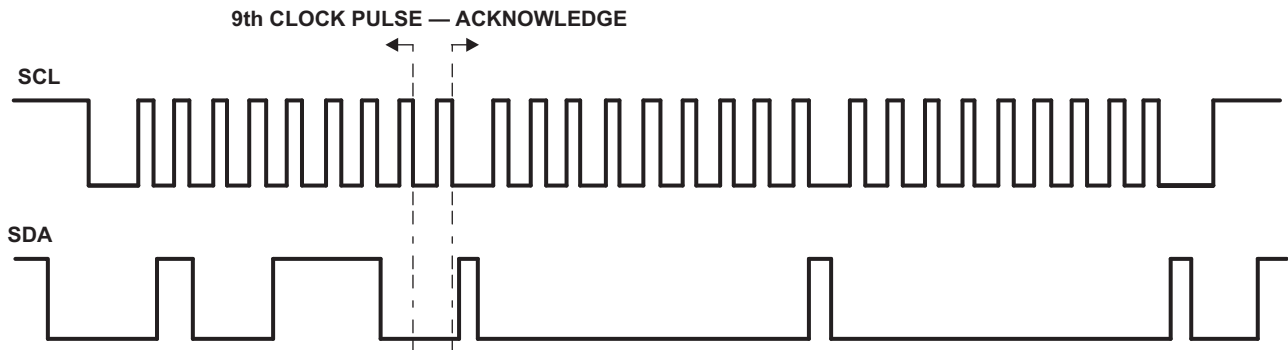
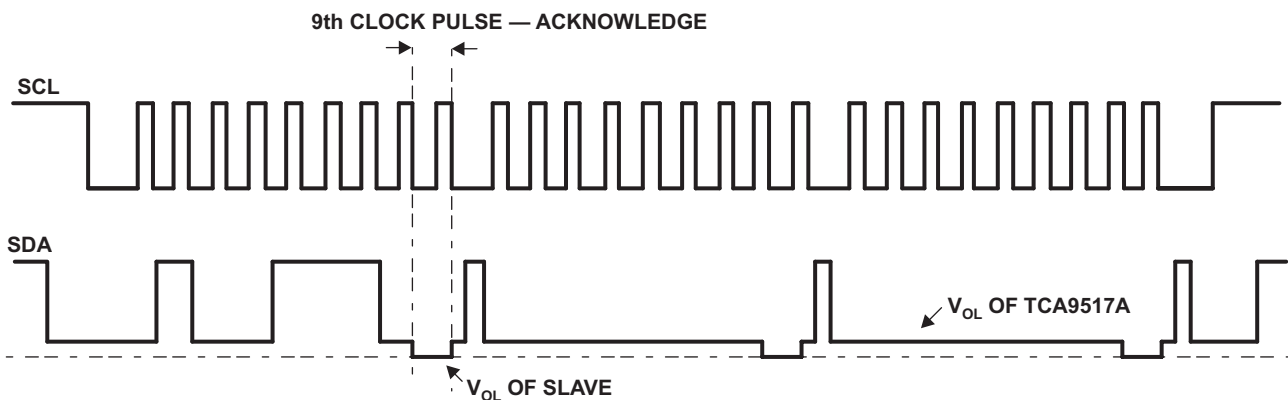


Figure 8. Typical Star Application

Multiple A sides of TCA9517As can be connected in a star configuration, allowing all nodes to communicate with each other.

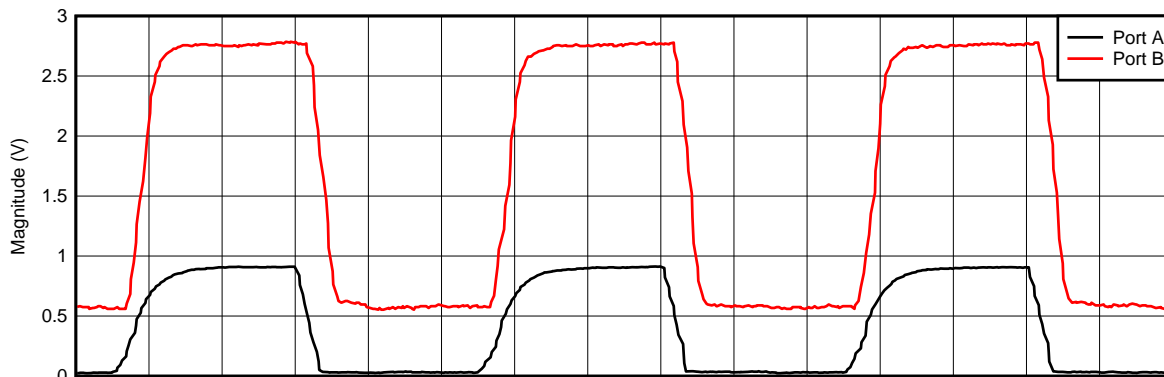
**Typical Application (continued)**

**Figure 9. Typical Series Application**

To further extend the I<sup>2</sup>C bus for long traces/cables, multiple TCA9517As can be connected in series as long as the A-side is connected to the B-side. I<sup>2</sup>C bus slave devices can be connected to any of the bus segments. The number of devices that can be connected in series is limited by repeater delay/time-of-flight considerations on the maximum bus speed requirements.


**Figure 10. Bus A (0.9 V to 5.5 V Bus) Waveform**

**Figure 11. Bus B (2.7 V to 5.5 V Bus) Waveform**

## Typical Application (continued)

### 10.2.3 Application Curve



D003

Figure 12. Voltage Translation at 400 kHz,  $V_{CCA} = 0.9\text{ V}$ ,  $V_{CCB} = 2.7\text{ V}$

## 11 Power Supply Recommendations

$V_{CCB}$  and  $V_{CCA}$  can be applied in any sequence at power up. The TCA9517A includes a power-up circuit that keeps the output drivers turned off until  $V_{CCB}$  is above 2.5 V and the  $V_{CCA}$  is above 0.8 V. After power up and with the EN high, a low level on the A-side (below  $0.3 \times V_{CCA}$ ) turns the corresponding B-side driver (either SDA or SCL) on and drives the B-side down to approximately 0.5 V. When the A-side rises above  $0.3 \times V_{CCA}$ , the B-side pull-down driver is turned off and the external pull-up resistor pulls the pin high. When the B-side falls first and goes below  $0.3 \times V_{CCB}$ , the A-side driver is turned on and the A-side pulls down to 0 V. The B-side pull-down is not enabled unless the B-side voltage goes below 0.4 V. If the B-side low voltage does not go below 0.5 V, the A-side driver turns off when the B-side voltage is above  $0.7 \times V_{CCB}$ . If the B-side low voltage goes below 0.4 V, the B-side pull-down driver is enabled, and the B-side is able to rise to only 0.5 V until the A-side rises above  $0.3 \times V_{CCA}$ .

TI recommends using a decoupling capacitor and placing it close to the  $V_{CCA}$  and  $V_{CCB}$  pins of a value of about 100 nF.

## 12 Layout

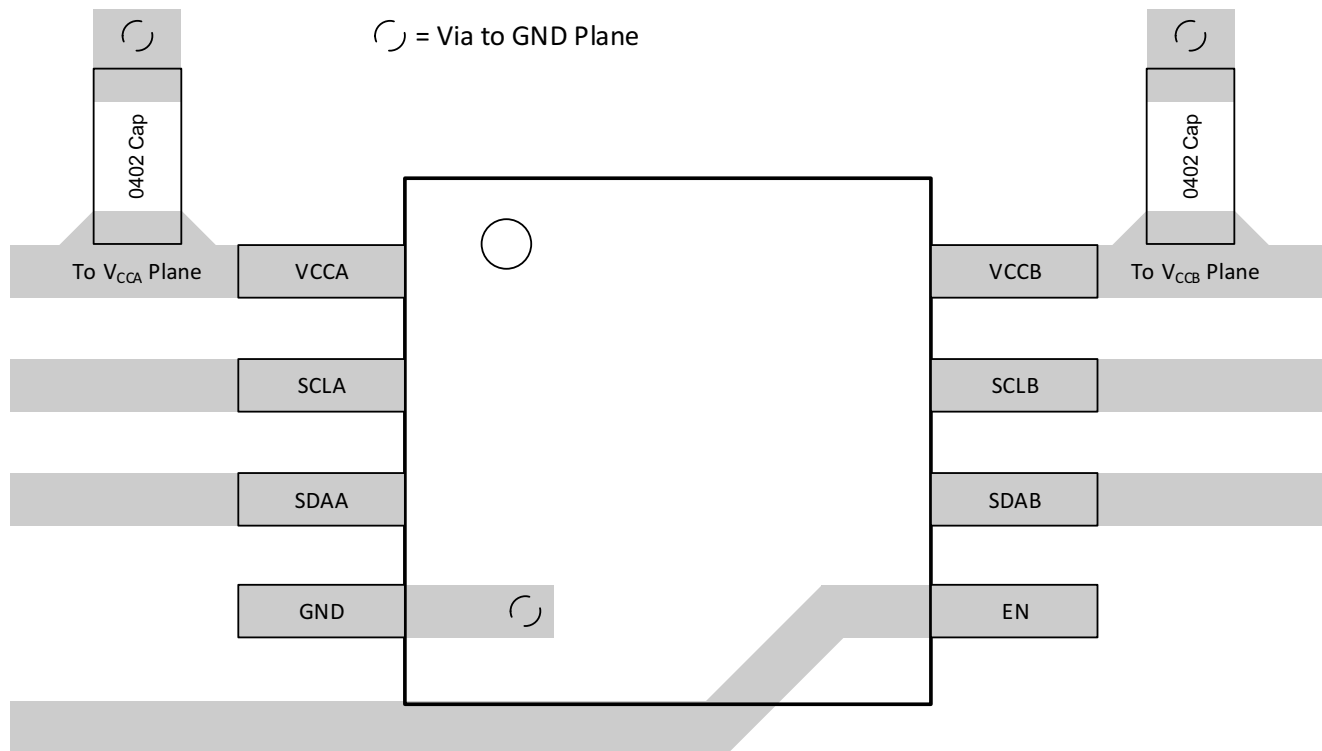
### 12.1 Layout Guidelines

There are no special layout procedures required for the TCA9517A.

It is recommended that the decoupling capacitors be placed as close to the VCC pins as possible.

### 12.2 Layout Example

Figure 13 shows an example layout of the DGK package.



**Figure 13. TCA9517A Layout Example**

## 13 Device and Documentation Support

### 13.1 Receiving Notification of Documentation Updates

To receive notification of documentation updates, navigate to the device product folder on ti.com. In the upper right corner, click on *Alert me* to register and receive a weekly digest of any product information that has changed. For change details, review the revision history included in any revised document.

### 13.2 Community Resource

The following links connect to TI community resources. Linked contents are provided "AS IS" by the respective contributors. They do not constitute TI specifications and do not necessarily reflect TI's views; see TI's [Terms of Use](#).

**TI E2E™ Online Community** *TI's Engineer-to-Engineer (E2E) Community*. Created to foster collaboration among engineers. At e2e.ti.com, you can ask questions, share knowledge, explore ideas and help solve problems with fellow engineers.

**Design Support** *TI's Design Support* Quickly find helpful E2E forums along with design support tools and contact information for technical support.

### 13.3 Trademarks

E2E is a trademark of Texas Instruments.  
All other trademarks are the property of their respective owners.

### 13.4 Electrostatic Discharge Caution



These devices have limited built-in ESD protection. The leads should be shorted together or the device placed in conductive foam during storage or handling to prevent electrostatic damage to the MOS gates.

### 13.5 Glossary

[SLYZ022](#) — *TI Glossary*.

This glossary lists and explains terms, acronyms, and definitions.

## 14 Mechanical, Packaging, and Orderable Information

The following pages include mechanical, packaging, and orderable information. This information is the most current data available for the designated devices. This data is subject to change without notice and revision of this document. For browser-based versions of this data sheet, refer to the left-hand navigation.

**PACKAGING INFORMATION**

Orderable Device	Status (1)	Package Type	Package Drawing	Pins	Package Qty	Eco Plan (2)	Lead finish/ Ball material (6)	MSL Peak Temp (3)	Op Temp (°C)	Device Marking (4/5)	Samples
TCA9517ADGKR	ACTIVE	VSSOP	DGK	8	2500	RoHS & Green	NIPDAUAG   SN	Level-1-260C-UNLIM	-40 to 85	BSK	Samples

(1) The marketing status values are defined as follows:

**ACTIVE:** Product device recommended for new designs.

**LIFEBUY:** TI has announced that the device will be discontinued, and a lifetime-buy period is in effect.

**NRND:** Not recommended for new designs. Device is in production to support existing customers, but TI does not recommend using this part in a new design.

**PREVIEW:** Device has been announced but is not in production. Samples may or may not be available.

**OBSOLETE:** TI has discontinued the production of the device.

(2) **RoHS:** TI defines "RoHS" to mean semiconductor products that are compliant with the current EU RoHS requirements for all 10 RoHS substances, including the requirement that RoHS substance do not exceed 0.1% by weight in homogeneous materials. Where designed to be soldered at high temperatures, "RoHS" products are suitable for use in specified lead-free processes. TI may reference these types of products as "Pb-Free".

**RoHS Exempt:** TI defines "RoHS Exempt" to mean products that contain lead but are compliant with EU RoHS pursuant to a specific EU RoHS exemption.

**Green:** TI defines "Green" to mean the content of Chlorine (Cl) and Bromine (Br) based flame retardants meet JS709B low halogen requirements of <=1000ppm threshold. Antimony trioxide based flame retardants must also meet the <=1000ppm threshold requirement.

(3) MSL, Peak Temp. - The Moisture Sensitivity Level rating according to the JEDEC industry standard classifications, and peak solder temperature.

(4) There may be additional marking, which relates to the logo, the lot trace code information, or the environmental category on the device.

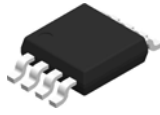
(5) Multiple Device Markings will be inside parentheses. Only one Device Marking contained in parentheses and separated by a "-" will appear on a device. If a line is indented then it is a continuation of the previous line and the two combined represent the entire Device Marking for that device.

(6) Lead finish/Ball material - Orderable Devices may have multiple material finish options. Finish options are separated by a vertical ruled line. Lead finish/Ball material values may wrap to two lines if the finish value exceeds the maximum column width.

**Important Information and Disclaimer:**The information provided on this page represents TI's knowledge and belief as of the date that it is provided. TI bases its knowledge and belief on information provided by third parties, and makes no representation or warranty as to the accuracy of such information. Efforts are underway to better integrate information from third parties. TI has taken and continues to take reasonable steps to provide representative and accurate information but may not have conducted destructive testing or chemical analysis on incoming materials and chemicals. TI and TI suppliers consider certain information to be proprietary, and thus CAS numbers and other limited information may not be available for release.

In no event shall TI's liability arising out of such information exceed the total purchase price of the TI part(s) at issue in this document sold by TI to Customer on an annual basis.

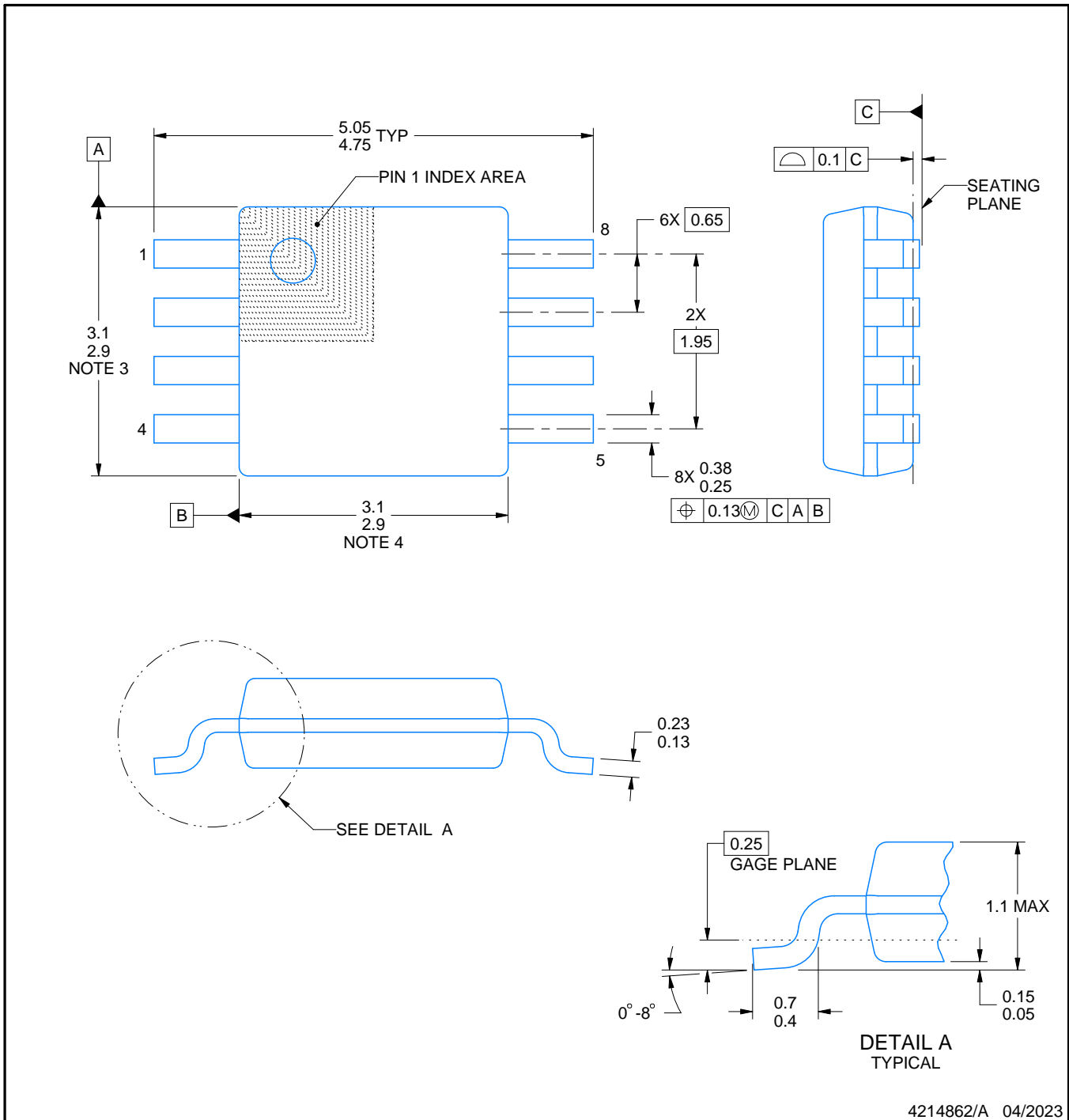
DGK0008A



# PACKAGE OUTLINE

VSSOP - 1.1 mm max height

SMALL OUTLINE PACKAGE



4214862/A 04/2023

NOTES:

PowerPAD is a trademark of Texas Instruments.

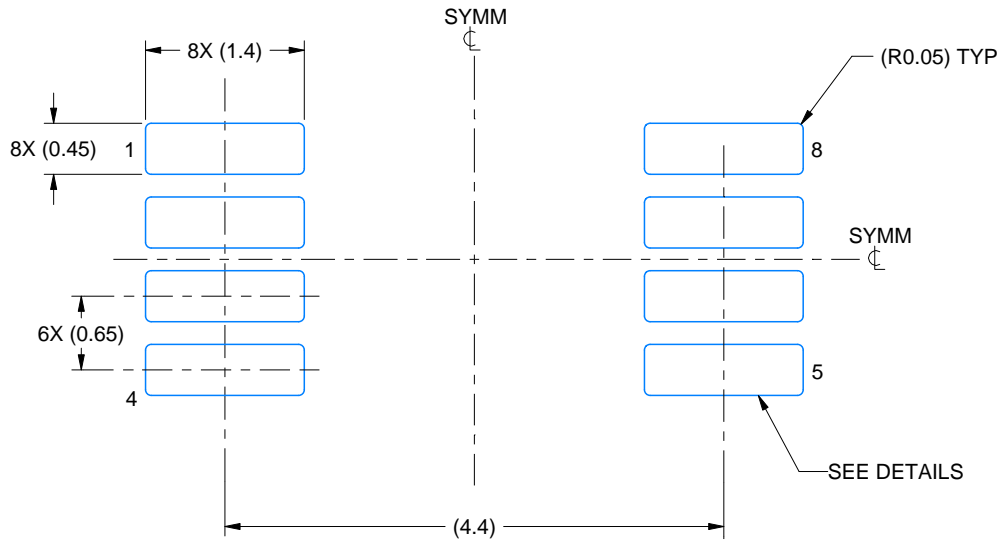
1. All linear dimensions are in millimeters. Any dimensions in parenthesis are for reference only. Dimensioning and tolerancing per ASME Y14.5M.
2. This drawing is subject to change without notice.
3. This dimension does not include mold flash, protrusions, or gate burrs. Mold flash, protrusions, or gate burrs shall not exceed 0.15 mm per side.
4. This dimension does not include interlead flash. Interlead flash shall not exceed 0.25 mm per side.
5. Reference JEDEC registration MO-187.

# EXAMPLE BOARD LAYOUT

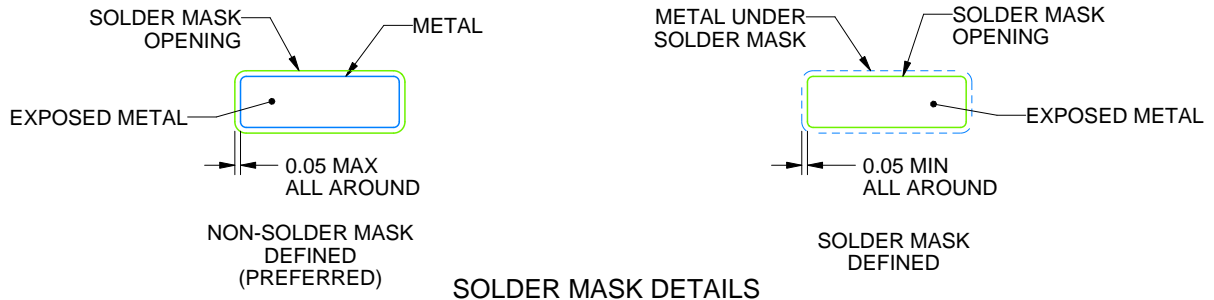
DGK0008A

<sup>TM</sup> VSSOP - 1.1 mm max height

SMALL OUTLINE PACKAGE



LAND PATTERN EXAMPLE  
EXPOSED METAL SHOWN  
SCALE: 15X



SOLDER MASK DETAILS

4214862/A 04/2023

NOTES: (continued)

6. Publication IPC-7351 may have alternate designs.
7. Solder mask tolerances between and around signal pads can vary based on board fabrication site.
8. Vias are optional depending on application, refer to device data sheet. If any vias are implemented, refer to their locations shown on this view. It is recommended that vias under paste be filled, plugged or tented.
9. Size of metal pad may vary due to creepage requirement.

# EXAMPLE STENCIL DESIGN

DGK0008A

<sup>TM</sup> VSSOP - 1.1 mm max height

SMALL OUTLINE PACKAGE



SOLDER PASTE EXAMPLE  
SCALE: 15X

4214862/A 04/2023

NOTES: (continued)

11. Laser cutting apertures with trapezoidal walls and rounded corners may offer better paste release. IPC-7525 may have alternate design recommendations.
12. Board assembly site may have different recommendations for stencil design.

## IMPORTANT NOTICE AND DISCLAIMER

TI PROVIDES TECHNICAL AND RELIABILITY DATA (INCLUDING DATA SHEETS), DESIGN RESOURCES (INCLUDING REFERENCE DESIGNS), APPLICATION OR OTHER DESIGN ADVICE, WEB TOOLS, SAFETY INFORMATION, AND OTHER RESOURCES "AS IS" AND WITH ALL FAULTS, AND DISCLAIMS ALL WARRANTIES, EXPRESS AND IMPLIED, INCLUDING WITHOUT LIMITATION ANY IMPLIED WARRANTIES OF MERCHANTABILITY, FITNESS FOR A PARTICULAR PURPOSE OR NON-INFRINGEMENT OF THIRD PARTY INTELLECTUAL PROPERTY RIGHTS.

These resources are intended for skilled developers designing with TI products. You are solely responsible for (1) selecting the appropriate TI products for your application, (2) designing, validating and testing your application, and (3) ensuring your application meets applicable standards, and any other safety, security, regulatory or other requirements.

These resources are subject to change without notice. TI grants you permission to use these resources only for development of an application that uses the TI products described in the resource. Other reproduction and display of these resources is prohibited. No license is granted to any other TI intellectual property right or to any third party intellectual property right. TI disclaims responsibility for, and you will fully indemnify TI and its representatives against, any claims, damages, costs, losses, and liabilities arising out of your use of these resources.

TI's products are provided subject to [TI's Terms of Sale](#) or other applicable terms available either on [ti.com](https://www.ti.com) or provided in conjunction with such TI products. TI's provision of these resources does not expand or otherwise alter TI's applicable warranties or warranty disclaimers for TI products.

TI objects to and rejects any additional or different terms you may have proposed.

Mailing Address: Texas Instruments, Post Office Box 655303, Dallas, Texas 75265  
Copyright © 2024, Texas Instruments Incorporated

## Looking for pricing, stock, or lifecycle information?

Click below to explore more details on WIN SOURCE:

 [View TCA9517ADGKR on WIN SOURCE](#)

 [Texas Instruments](#) Information

## Optimize Your Supply Chain with WIN SOURCE Solutions

-  Global Sourcing Solution
-  Obsolete Management
-  Cost Control Management
-  Shortage Management
-  Alternative Solution
-  Excess Inventory Management