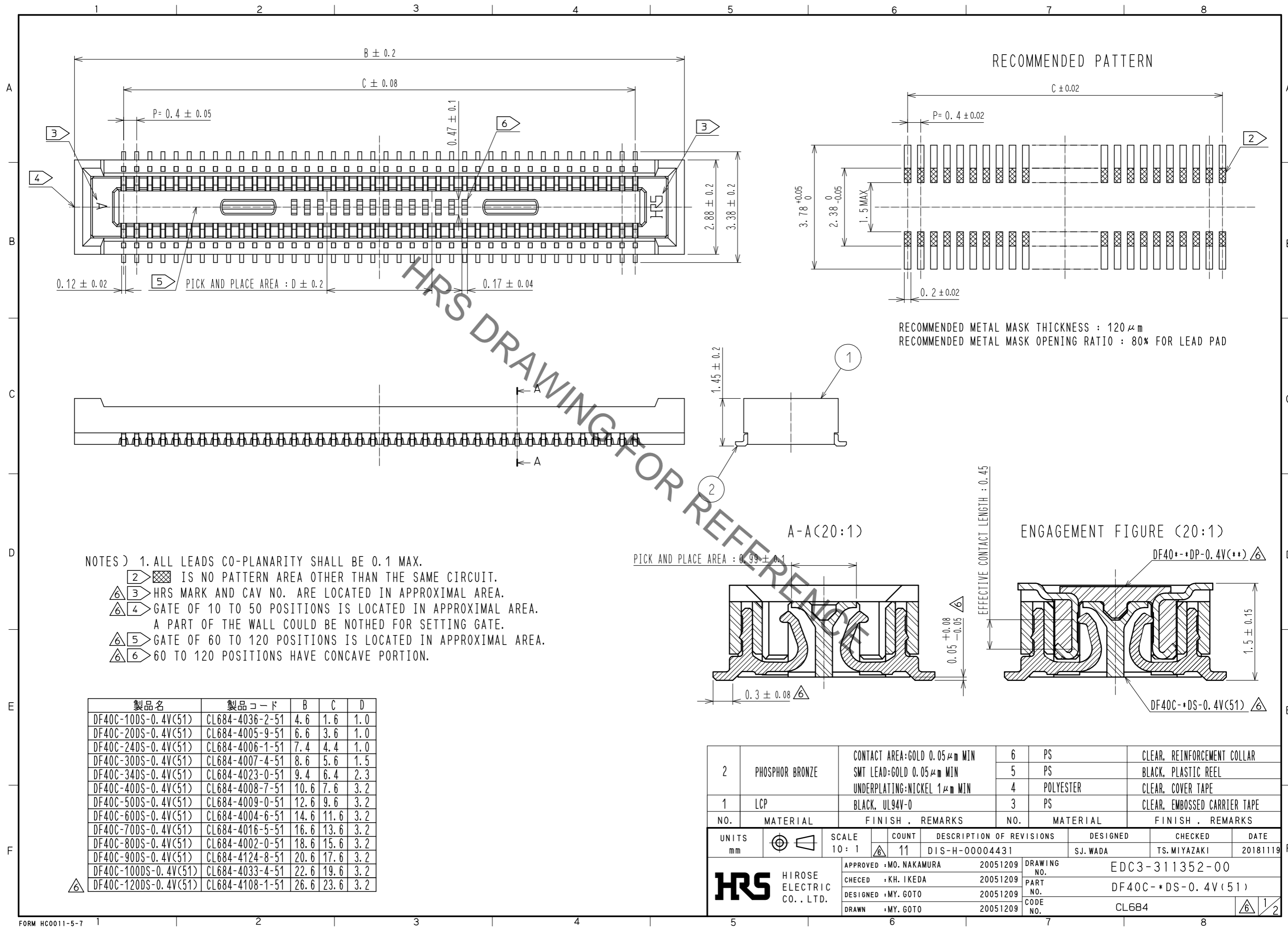




**THE DATASHEET OF
DF40C-70DS-0.4V(51)**



Aug.1.2019 Copyright 2019 HIROSE ELECTRIC CO., LTD. All Rights Reserved.
In case of consideration for using Automotive equipment / device which demand high reliability, kindly contact our sales window correspondents.



| 製品名 | 製品コード | B | C | D |
|----------------------|-----------------|------|------|-----|
| DF40C-10DS-0.4V(51) | CL684-4036-2-51 | 4.6 | 1.6 | 1.0 |
| DF40C-20DS-0.4V(51) | CL684-4005-9-51 | 6.6 | 3.6 | 1.0 |
| DF40C-24DS-0.4V(51) | CL684-4006-1-51 | 7.4 | 4.4 | 1.0 |
| DF40C-30DS-0.4V(51) | CL684-4007-4-51 | 8.6 | 5.6 | 1.5 |
| DF40C-34DS-0.4V(51) | CL684-4023-0-51 | 9.4 | 6.4 | 2.3 |
| DF40C-40DS-0.4V(51) | CL684-4008-7-51 | 10.6 | 7.6 | 3.2 |
| DF40C-50DS-0.4V(51) | CL684-4009-0-51 | 12.6 | 9.6 | 3.2 |
| DF40C-60DS-0.4V(51) | CL684-4004-6-51 | 14.6 | 11.6 | 3.2 |
| DF40C-70DS-0.4V(51) | CL684-4016-5-51 | 16.6 | 13.6 | 3.2 |
| DF40C-80DS-0.4V(51) | CL684-4002-0-51 | 18.6 | 15.6 | 3.2 |
| DF40C-90DS-0.4V(51) | CL684-4124-8-51 | 20.6 | 17.6 | 3.2 |
| DF40C-100DS-0.4V(51) | CL684-4033-4-51 | 22.6 | 19.6 | 3.2 |
| DF40C-120DS-0.4V(51) | CL684-4108-1-51 | 26.6 | 23.6 | 3.2 |

| NO. | MATERIAL | FINISH | REMARKS | NO. | MATERIAL | FINISH | REMARKS |
|-----|-----------------|--------|--|-----|-----------|--------|------------------------------|
| 2 | PHOSPHOR BRONZE | | CONTACT AREA:GOLD 0.05 μm MIN SMT LEAD:GOLD 0.05 μm MIN UNDERPLATING:NICKEL 1 μm MIN | 6 | PS | | CLEAR, REINFORCEMENT COLLAR |
| | | | | 5 | PS | | BLACK, PLASTIC REEL |
| | | | | 4 | POLYESTER | | CLEAR, COVER TAPE |
| 1 | LCP | | BLACK, UL94V-0 | 3 | PS | | CLEAR, EMBOSSED CARRIER TAPE |

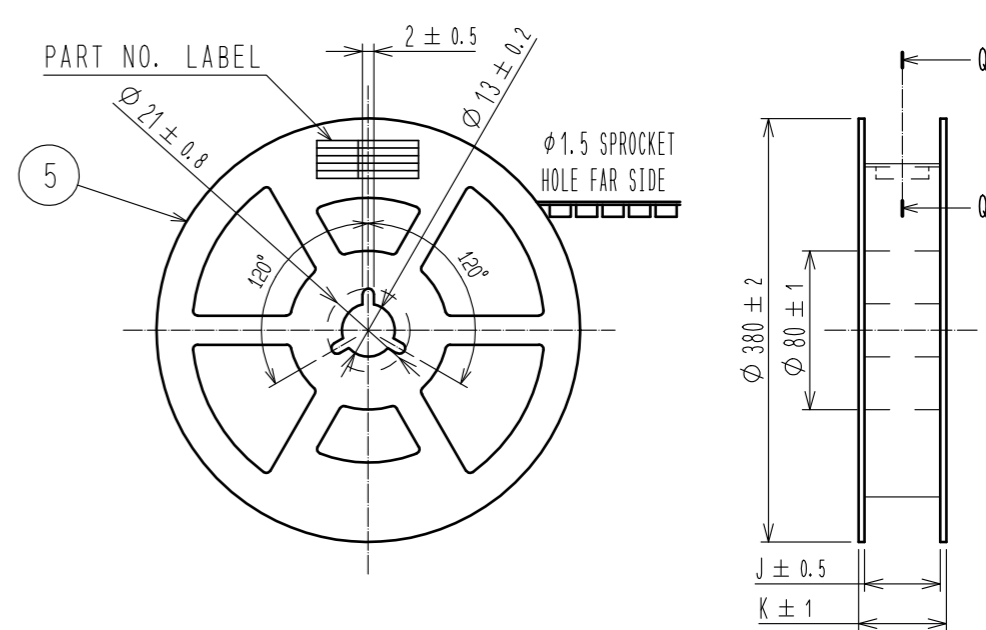
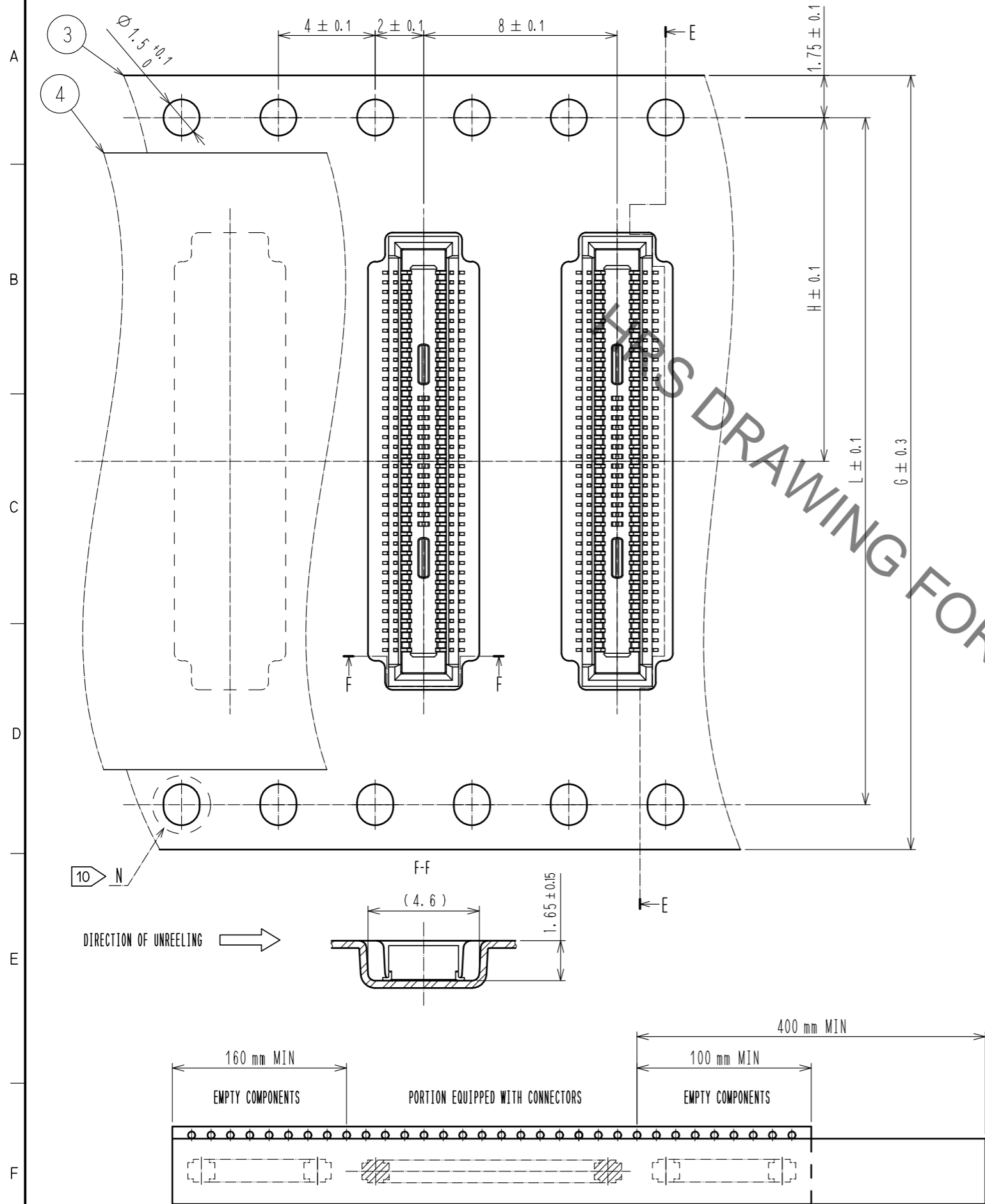
| UNITS | SCALE | COUNT | DESCRIPTION OF REVISIONS | DESIGNED | CHECKED | DATE |
|-------|-------|-------|--------------------------|----------|-------------|----------|
| mm | 10:1 | 11 | DIS-H-00004431 | SJ.WADA | TS.MIYAZAKI | 20181119 |

| APPROVED | CHECKED | DESIGNED | DRAWN | DRAWING NO. | PART NO. | CODE NO. |
|-------------|----------|----------|---------|----------------|--------------------|----------|
| MO.NAKAMURA | KH.IKEDA | MY.GOTO | MY.GOTO | EDC3-311352-00 | DF40C-*DS-0.4V(51) | CL684 |

Aug.1.2019 Copyright 2019 HIROSE ELECTRIC CO., LTD. All Rights Reserved.
In case of consideration for using Automotive equipment / device which demand high reliability, kindly contact our sales window correspondents.

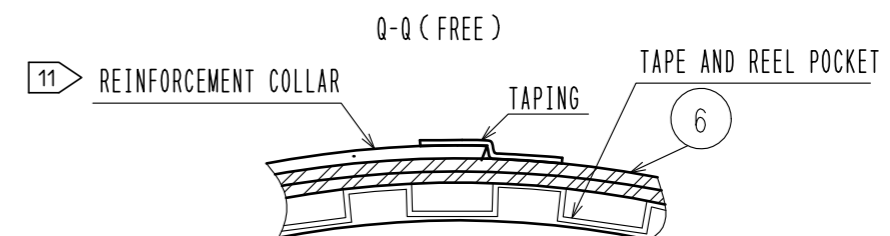
EMBOSSED CARRIER TAPE PACKAGING (5:1)

STYLE AND DIMENSION OF REEL(FREE SIZE)

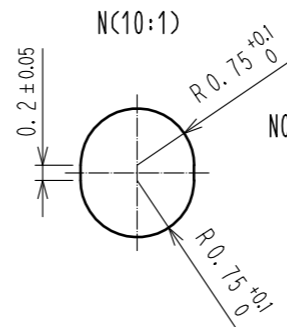


DETAIL OF PART NO. LABEL

| | | |
|-------|--------------------|----------------------|
| 製造年月日 | ** ** * | DATE OF MANUFACTURED |
| 製品コード | CL684-****-51 | CODE NO. |
| 製品名 | DF40C-*DS-0.4V(51) | PART NO. |
| 数量 | 5000 | QUANTITY |
| 納入者 | ヒロセ電機(株) | SUPPLIER |



| PART NO. | G | H | J | K | L | M |
|----------------------|----|------|------|------|------|------|
| DF40C-10DS-0.4V(51) | 16 | 7.5 | 17.5 | 21.5 | — | 4.9 |
| DF40C-20DS-0.4V(51) | 16 | 7.5 | 17.5 | 21.5 | — | 6.9 |
| DF40C-24DS-0.4V(51) | 16 | 7.5 | 17.5 | 21.5 | — | 7.7 |
| DF40C-30DS-0.4V(51) | 24 | 11.5 | 25.5 | 29.5 | — | 8.9 |
| DF40C-34DS-0.4V(51) | 24 | 11.5 | 25.5 | 29.5 | — | 8.9 |
| DF40C-40DS-0.4V(51) | 24 | 11.5 | 25.5 | 29.5 | — | 10.9 |
| DF40C-50DS-0.4V(51) | 24 | 11.5 | 25.5 | 29.5 | — | 12.9 |
| DF40C-60DS-0.4V(51) | 24 | 11.5 | 25.5 | 29.5 | — | 14.9 |
| DF40C-70DS-0.4V(51) | 32 | 14.2 | 33.5 | 37.5 | 28.4 | 16.9 |
| DF40C-80DS-0.4V(51) | 32 | 14.2 | 33.5 | 37.5 | 28.4 | 18.9 |
| DF40C-90DS-0.4V(51) | 44 | 20.2 | 45.5 | 49.5 | 40.4 | 20.9 |
| DF40C-100DS-0.4V(51) | 44 | 20.2 | 45.5 | 49.5 | 40.4 | 22.9 |
| DF40C-120DS-0.4V(51) | 44 | 20.2 | 45.5 | 49.5 | 40.4 | 26.9 |



- NOTES)
- 7. PER REEL 5000 CONNECTORS.
 - 8. THE DIMENSIONS IN PARENTHESES ARE FOR REFERENCE.
 - 9 REFER TO JIS C 0806(IEC 60286-3)(PACKING OF COMPONENTS FOR AUTOMATIC HANDLING)
 - 10 TO 60 POSITIONS EMBOSSED CARRIER TAPE HAS THE SPROCKET HOLE ON ONE SIDES.
 - 11 AFTER PACKAGING, ROLL 2 METERS OF THE REINFORCEMENT COLLAR TO OUTER CIRCUMFERENCE OF TAPE AND REEL POCKET, AND TAPE DOWN AT THE END THE COLLAR.

| | | |
|------------|-------------|--------------------|
| HRS | DRAWING NO. | EDC3-311352-00 |
| | PART NO. | DF40C-*DS-0.4V(51) |
| | CODE NO. | CL684 |
| | | 2/2 |

Looking for pricing, stock, or lifecycle information?

Click below to explore more details on WIN SOURCE:

- ⊖ [View DF40C-70DS-0.4V\(51\) on WIN SOURCE](#)
- ⊖ [Hirose Electric Co Ltd Information](#)

Optimize Your Supply Chain with WIN SOURCE Solutions

- ✓ Global Sourcing Solution
- ✓ Obsolete Management
- ✓ Cost Control Management
- ✓ Shortage Management
- ✓ Alternative Solution
- ✓ Excess Inventory Management