



**THE DATASHEET OF
D-602-44CS1024**

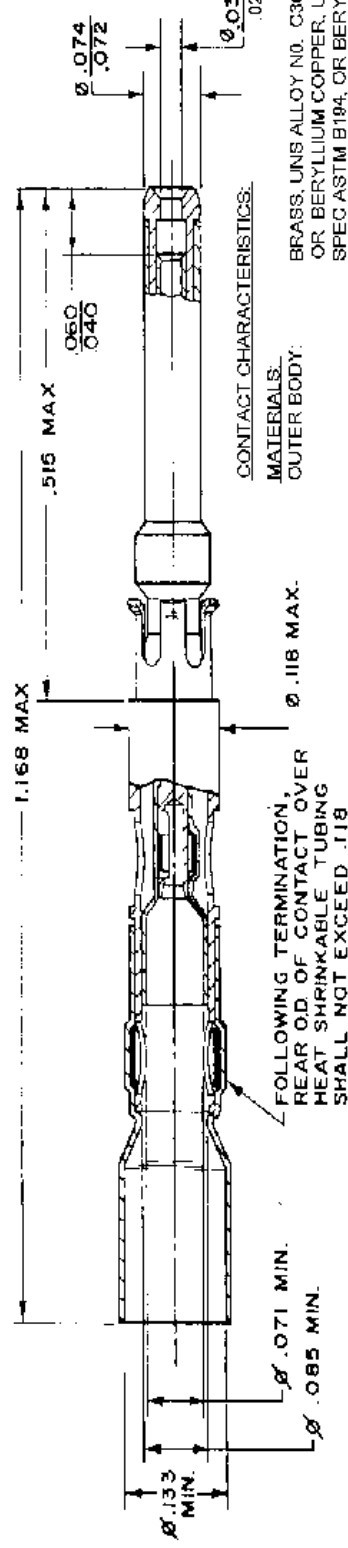


4

3

2

| | |
|---|-------------|
| L | REVISED PER |
| M | REVISED PER |

CONTACT CHARACTERISTICS:MATERIALS:

FOLLOWING TERMINATION,
REAR OD OF CONTACT OVER
HEAT SHRINKABLE TUBING
SHALL NOT EXCEED .118

Ø .071 MIN.

Ø .085 MIN.

OUTER BODY:
BRASS, UNS ALLOY NO. C360
OR BERYLLIUM COPPER, UNS AL
SPEC ASTM B194, OR BERYLLI
TEMPER TD04, SPEC ASTM B
COPPER FLASH.
GOLD PER ASTM B 488 (MIL-C
BERYLLIUM COPPER, UNS AL
SPEC. ASTM B196.
GOLD PER ASTM B 488 (MIL-C
COPPER FLASH.
BERYLLIUM COPPER, UNS AL
SPEC. ASTM B194.
NICKEL PER QQ-N-280.
FLUOROPOLYMER.
SN63 RMAP IN ACCORDANCE
OUTER SLEEVE: POLYVIN
INNER SLEEVE: POLYOIL

PLATING:

INNER CONTACT:

PLATING:

RETAINING CLIP:

PLATING:

DIELECTRIC:

SOLDER:

CABLE SUPPORT:

PERFORMANCE:

TEMPERATURE RATING: 125°C MAXIMUM.

CURRENT RATING: 3 AMPS

VOLTAGE RATING: DIELECTRIC WITHSTAN

VOLTAGE RESISTANCE: 10 MLLIOHMS MAXIMUM.

INSULATION RESISTANCE: 8 MLLIOHMS MAXIMUM.

ENGAGEMENT FORCE: 5,000 MEGOHMS MINIMUM.

SEPARATION FORCE: INNER SOCKET: 6 OZ

INNER SOCKET: 0.5 OZ

NOTES:

1. THIS CONTACT IS DESIGNED FOR USE IN MIL-C-26748 SIZE 16 CAVITIES.
2. THIS CONTACT IS DESIGNED TO TERMINATE TO THE CABLES IN THE TABLE. OTHER APPLICATIONS SHOULD BE SUBMITTED TO RAYCHEM FOR EVALUATION.
3. FOR TERMINATION PROCEDURE: SEE ES 61133
4. MATING CONTACT (FOR SIMILAR CABLES) D-602-45
5. CABLE MUST BE TERMINATED WITH D-600-0018 DIELECTRIC BARRIER.
6. THIS CONTACT MEETS RAYCHEM SPECIFICATION D-6002.

| RG CABLE NO. | RAYCHEM CABLE NO. |
|--------------|-------------------|
| RG - 179 B/U | 5026A IXIX |
| RG - 178 B/U | 5030A IXIX |
| RG - 316 /U | 7528A IXIX |
| | 7530A IXIX |
| | 9532A IXIX |

CONNECTOR SPECIFICATION CONTROL DRAWING

UNLESS OTHERWISE SPECIFIED
DIMENSIONS ARE IN INCHES
UNLESS INDICATED OTHERWISE
METRIC AND TOLERANCES ARE:

XXX ± .1

XX ± .05

X ± .01

DRAWN
CHECKED
APPROVED

APPROVED

APPROVED

APPROVED

DRAWN

2:15 BK

TITLE

SH

SIZE

A

CAD FILE

T22012.TIF

DO NOT SCALE THIS DRAWING

Looking for pricing, stock, or lifecycle information?

Click below to explore more details on WIN SOURCE:

 [View D-602-44CS1024 on WIN SOURCE](#)

 [TE Connectivity](#) Information

Optimize Your Supply Chain with WIN SOURCE Solutions

-  Global Sourcing Solution
-  Obsolete Management
-  Cost Control Management
-  Shortage Management
-  Alternative Solution
-  Excess Inventory Management