



**THE DATASHEET OF
AD5339ARMZ**



FEATURES

AD5337

2 buffered 8-bit DACs in 8-lead MSOP

AD5338, AD5338-1

2 buffered 10-bit DACs in 8-lead MSOP

AD5339

2 buffered 12-bit DACs in 8-lead MSOP

Low power operation: 250 μ A @ 3 V, 300 μ A @ 5 V

2-wire (I²C-compatible) serial interface

2.5 V to 5.5 V power supply

Guaranteed monotonic by design over all codes

Power-down to 80 nA @ 3 V, 200 nA @ 5 V

3 power-down modes

Double-buffered input logic

Output range: 0 V to V_{REF}

Power-on reset to 0 V

Simultaneous update of outputs (\overline{LDAC} function)

Software clear facility

Data readback facility

On-chip rail-to-rail output buffer amplifiers

Temperature range: -40°C to $+105^{\circ}\text{C}$

APPLICATIONS

Portable battery-powered instruments

Digital gain and offset adjustment

Programmable voltage and current sources

Programmable attenuators

Industrial process control

GENERAL DESCRIPTION

The AD5337/AD5338/AD5339 are dual 8-, 10-, and 12-bit buffered voltage output DACs, respectively. Each part is housed in an 8-lead MSOP package and operates from a single 2.5 V to 5.5 V supply, consuming 250 μ A at 3 V. On-chip output amplifiers allow rail-to-rail output swing with a slew rate of 0.7 V/ μ s. A 2-wire serial interface operates at clock rates up to 400 kHz. This interface is SMBus compatible at $V_{DD} < 3.6$ V. Multiple devices can be placed on the same bus.

The references for the two DACs are derived from one reference pin. The outputs of all DACs can be updated simultaneously using the software \overline{LDAC} function. The parts incorporate a power-on reset circuit to ensure that the DAC outputs power up to 0 V and remain there until a valid write to the device takes place. A software clear function resets all input and DAC registers to 0 V. A power-down feature reduces the current consumption of the devices to 200 nA @ 5 V (80 nA @ 3 V).

The low power consumption of these parts in normal operation makes them ideally suited to portable battery-operated equipment. The power consumption is typically 1.5 mW at 5 V and 0.75 mW at 3 V, reducing to 1 μ W in power-down mode.

FUNCTIONAL BLOCK DIAGRAM

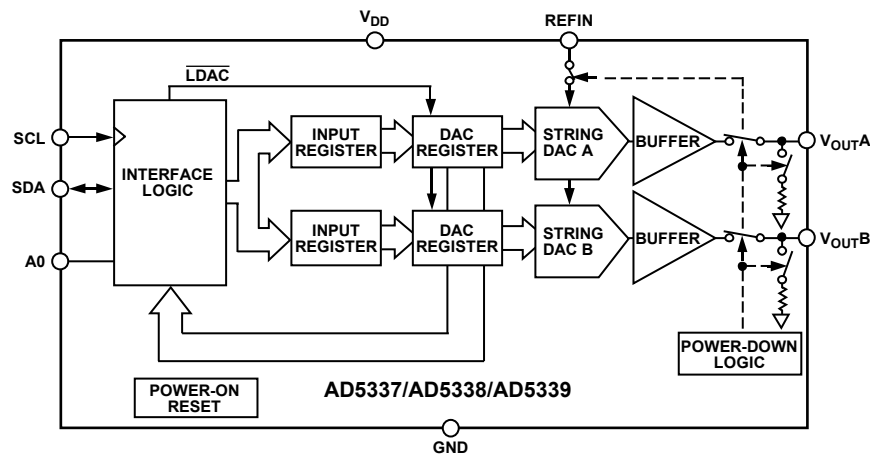


Figure 1.

Rev. C

Information furnished by Analog Devices is believed to be accurate and reliable. However, no responsibility is assumed by Analog Devices for its use, nor for any infringements of patents or other rights of third parties that may result from its use. Specifications subject to change without notice. No license is granted by implication or otherwise under any patent or patent rights of Analog Devices. Trademarks and registered trademarks are the property of their respective owners.

TABLE OF CONTENTS

| | | | |
|--------------------------------------------------|----|-----------------------------------------------------------|----|
| Features | 1 | Output Amplifier..... | 15 |
| Applications..... | 1 | Power-on Reset..... | 15 |
| General Description..... | 1 | Serial Interface..... | 16 |
| Functional Block Diagram | 1 | Write Operation..... | 17 |
| Revision History | 2 | Read Operation..... | 18 |
| Specifications..... | 3 | Double-Buffered Interface | 19 |
| AC Characteristics..... | 5 | Power-Down Modes | 19 |
| Timing Characteristics | 6 | Applications..... | 20 |
| Absolute Maximum Ratings..... | 7 | Typical Application Circuit..... | 20 |
| ESD Caution..... | 7 | Bipolar Operation..... | 20 |
| Pin Configuration and Function Descriptions..... | 8 | Multiple Devices on One Bus | 20 |
| Typical Performance Characteristics | 9 | Product as a Digitally Programmable Window Detector | 21 |
| Terminology | 13 | Coarse and Fine Adjustment Capabilities..... | 21 |
| Theory of Operation | 15 | Power Supply Decoupling | 21 |
| Digital-to-Analog Converter Section | 15 | Outline Dimensions | 24 |
| Resistor String..... | 15 | Ordering Guide | 24 |
| DAC Reference Inputs | 15 | | |

REVISION HISTORY

9/07—Rev. B to Rev. C

| | |
|---------------------------------|----|
| Changes to Features..... | 1 |
| Changes to Table 4..... | 7 |
| Changes to Ordering Guide | 25 |

9/06—Rev. A to Rev. B

| | |
|---------------------------------|-----------|
| Updated Format..... | Universal |
| Changes to Figure 31 | 16 |
| Changes to Table 6..... | 16 |
| Changes to Table 10..... | 23 |
| Changes to Ordering Guide | 25 |

10/04—Rev. 0 to Rev. A

| | |
|----------------------------------|-----------|
| Updated Format..... | Universal |
| Added AD5338-1..... | Universal |
| Changes to Specifications..... | 4 |
| Updated Outline Dimensions | 24 |
| Changes to Ordering Guide | 24 |

11/03—Rev. 0: Initial Version

SPECIFICATIONS

$V_{DD} = 2.5\text{ V to }5.5\text{ V}$; $V_{REF} = 2\text{ V}$; $R_L = 2\text{ k}\Omega$ to GND; $C_L = 200\text{ pF}$ to GND; all specifications T_{MIN} to T_{MAX} , unless otherwise noted.

Table 1.

| Parameter ² | A Grade ¹ | | | B Grade ¹ | | | Unit | Conditions/Comments |
|-------------------------------------------|----------------------|------------------|------------|----------------------|------------------|------------|--------------------------------|-------------------------------------------------------------------|
| | Min | Typ | Max | Min | Typ | Max | | |
| DC PERFORMANCE ^{3, 4} | | | | | | | | |
| AD5337 | | | | | | | | |
| Resolution | | 8 | | | 8 | | Bits | Guaranteed monotonic by design over all codes |
| Relative Accuracy | | ± 0.15 | ± 1 | | ± 0.15 | ± 0.5 | LSB | |
| Differential Nonlinearity | | ± 0.02 | ± 0.25 | | ± 0.02 | ± 0.25 | LSB | |
| AD5338 | | | | | | | | |
| Resolution | | 10 | | | 10 | | Bits | Guaranteed monotonic by design over all codes |
| Relative Accuracy | | ± 0.5 | ± 4 | | ± 0.5 | ± 2 | LSB | |
| Differential Nonlinearity | | ± 0.05 | ± 0.5 | | ± 0.05 | ± 0.50 | LSB | |
| AD5339 | | | | | | | | |
| Resolution | | 12 | | | 12 | | Bits | Guaranteed monotonic by design over all codes |
| Relative Accuracy | | ± 2 | ± 16 | | ± 2 | ± 8 | LSB | |
| Differential Nonlinearity | | ± 0.2 | ± 1 | | ± 0.2 | ± 1 | LSB | |
| Offset Error | | ± 0.4 | ± 3 | | ± 0.4 | ± 3 | % of FSR | Lower deadband exists only if offset error is negative |
| Gain Error | | ± 0.15 | ± 1 | | ± 0.15 | ± 1 | % of FSR | |
| Lower Deadband | | 20 | 60 | | 20 | 60 | mV | |
| Offset Error Drift ⁵ | | -12 | | | -12 | | ppm of FSR/ $^{\circ}\text{C}$ | |
| Gain Error Drift ⁵ | | -5 | | | -5 | | ppm of FSR/ $^{\circ}\text{C}$ | |
| Power Supply Rejection Ratio ⁵ | | -60 | | | -60 | | dB | $\Delta V_{DD} = \pm 10\%$ |
| DC Crosstalk ⁵ | | 200 | | | 200 | | μV | $R_L = 2\text{ k}\Omega$ to GND or V_{DD} |
| DAC REFERENCE INPUTS ⁵ | | | | | | | | |
| V_{REF} Input Range | 0.25 | | V_{DD} | 0.25 | | V_{DD} | V | Normal operation Power-down mode Frequency = 10 kHz |
| V_{REF} Input Impedance | 37 | 45 | | 37 | 45 | | k Ω | |
| Reference Feedthrough | | >10 | | | >10 | | M Ω | |
| | | -90 | | | -90 | | dB | |
| OUTPUT CHARACTERISTICS ⁵ | | | | | | | | |
| Minimum Output Voltage ⁶ | | 0.001 | | | 0.001 | | V | Measure of the minimum drive capabilities of the output amplifier |
| Maximum Output Voltage ⁶ | | $V_{DD} - 0.001$ | | | $V_{DD} - 0.001$ | | V | Measure of the maximum drive capabilities of the output amplifier |
| DC Output Impedance | | 0.5 | | | 0.5 | | Ω | |
| Short-Circuit Current | | 25 | | | 25 | | mA | $V_{DD} = 5\text{ V}$ |
| | | 16 | | | 16 | | mA | $V_{DD} = 3\text{ V}$ |
| Power-Up Time | | 2.5 | | | 2.5 | | μs | Coming out of power-down mode, $V_{DD} = 5\text{ V}$ |
| | | 5 | | | 5 | | μs | Coming out of power-down mode, $V_{DD} = 3\text{ V}$ |

AD5337/AD5338/AD5339

| Parameter ² | A Grade ¹ | | | B Grade ¹ | | | Unit | Conditions/Comments |
|--------------------------------------------|------------------------|------|-----------------------|------------------------|------|-----------------------|------|-------------------------------------------------------------|
| | Min | Typ | Max | Min | Typ | Max | | |
| LOGIC INPUTS (A0) ⁵ | | | | | | | | |
| Input Current | | | ±1 | | | ±1 | μA | |
| Input Low Voltage (V _{IL}) | | | 0.8 | | | 0.8 | V | V _{DD} = 5 V ± 10% |
| | | | 0.6 | | | 0.6 | V | V _{DD} = 3 V ± 10% |
| | | | 0.5 | | | 0.5 | V | V _{DD} = 2.5 V |
| Input High Voltage (V _{IH}) | 2.4 | | | 2.4 | | | V | V _{DD} = 5 V ± 10% |
| | 2.1 | | | 2.1 | | | V | V _{DD} = 3 V ± 10% |
| | 2.0 | | | 2.0 | | | V | V _{DD} = 2.5 V |
| Pin Capacitance | | 3 | | | 3 | | pF | |
| LOGIC INPUTS (SCL, SDA) ⁵ | | | | | | | | |
| Input High Voltage (V _{IH}) | 0.7 × V _{DD} | | V _{DD} + 0.3 | 0.7 × V _{DD} | | V _{DD} + 0.3 | V | SMBus compatible at V _{DD} < 3.6 V |
| Input Low Voltage (V _{IL}) | -0.3 | | +0.3 V _{DD} | -0.3 | | +0.3 V _{DD} | V | SMBus compatible at V _{DD} < 3.6 V |
| Input Leakage Current (I _{IN}) | | | ±1 | | | ±1 | μA | |
| Input Hysteresis (V _{HYST}) | 0.05 × V _{DD} | | | 0.05 × V _{DD} | | | V | |
| Input Capacitance (C _{IN}) | | 8 | | | 8 | | pF | |
| Glitch Rejection | | | 50 | | | 50 | ns | Input filtering suppresses noise spikes of less than 50 ns |
| LOGIC OUTPUT (SDA) ⁵ | | | | | | | | |
| Output Low Voltage (V _{OL}) | | | 0.4 | | | 0.4 | V | I _{SINK} = 3 mA |
| | | | 0.6 | | | 0.6 | V | I _{SINK} = 6 mA |
| Three-State Leakage Current | | | ±1 | | | ±1 | μA | |
| Three-State Output Capacitance | | 8 | | | 8 | | pF | |
| POWER REQUIREMENTS | | | | | | | | |
| V _{DD} | 2.5 | | 5.5 | 2.5 | | 5.5 | V | |
| I _{DD} (Normal Mode) ⁷ | | | | | | | | V _{IH} = V _{DD} and V _{IL} = GND |
| V _{DD} = 4.5 V to 5.5 V | | 300 | 375 | | 300 | 375 | μA | |
| V _{DD} = 2.5 V to 3.6 V | | 250 | 350 | | 250 | 350 | μA | |
| I _{DD} (Power-Down Mode) | | | | | | | | V _{IH} = V _{DD} and V _{IL} = GND |
| V _{DD} = 4.5 V to 5.5 V | | 0.2 | 1.0 | | 0.2 | 1.0 | μA | I _{DD} = 4 μA (max) during 0 readback on SDA |
| V _{DD} = 2.5 V to 3.6 V | | 0.08 | 1.00 | | 0.08 | 1.00 | μA | I _{DD} = 1.5 μA (max) during 0 readback on SDA |

¹ Temperature range for A Version and B Version: -40°C to +105°C; typical at 25°C.

² See the Terminology section for explanations of the specific parameters.

³ DC specifications tested with the outputs unloaded.

⁴ Linearity is tested using a reduced code range: AD5337 (Code 8 to Code 248), AD5338, AD5338-1 (Code 28 to Code 995), AD5339 (Code 115 to Code 3981).

⁵ Guaranteed by design and characterization; not production tested.

⁶ For the amplifier output to reach its minimum voltage, offset error must be negative; to reach its maximum voltage, V_{REF} = V_{DD} and offset plus gain error must be positive.

⁷ I_{DD} specification is valid for all DAC codes. Interface inactive. All DACs active and excluding load currents.

AC CHARACTERISTICS

$V_{DD} = 2.5\text{ V to }5.5\text{ V}$; $R_L = 2\text{ k}\Omega$ to GND; $C_L = 200\text{ pF}$ to GND; all specifications T_{MIN} to T_{MAX} , unless otherwise noted.

Table 2.

| Parameter ^{2, 3} | A Version and B Version ¹ | | | Unit | Conditions/Comments |
|-------------------------------------|--------------------------------------|-----|-----|--------------------------|--------------------------------------------------------------------|
| | Min | Typ | Max | | |
| Output Voltage Settling Time | | | | | $V_{REF} = V_{DD} = 5\text{ V}$ |
| AD5337 | | 6 | 8 | μs | 1/4 scale to 3/4 scale change (0x40 to 0xC0) |
| AD5338 | | 7 | 9 | μs | 1/4 scale to 3/4 scale change (0x100 to 0x300) |
| AD5339 | | 8 | 10 | μs | 1/4 scale to 3/4 scale change (0x400 to 0xC00) |
| Slew Rate | | 0.7 | | $\text{V}/\mu\text{s}$ | |
| Major Code Transition Glitch Energy | | 12 | | $\text{nV}\cdot\text{s}$ | 1 LSB change around major carry |
| Digital Feedthrough | | 1 | | $\text{nV}\cdot\text{s}$ | |
| Digital Crosstalk | | 1 | | $\text{nV}\cdot\text{s}$ | |
| DAC-to-DAC Crosstalk | | 3 | | $\text{nV}\cdot\text{s}$ | |
| Multiplying Bandwidth | | 200 | | kHz | $V_{REF} = 2\text{ V} \pm 0.1\text{ V p-p}$ |
| Total Harmonic Distortion | | -70 | | dB | $V_{REF} = 2.5\text{ V} \pm 0.1\text{ V p-p}$, frequency = 10 kHz |

¹ Temperature range for A version and B version: -40°C to $+105^\circ\text{C}$; typical at 25°C .

² Guaranteed by design and characterization; not production tested.

³ See the Terminology section for explanations of the specific parameters.

AD5337/AD5338/AD5339

TIMING CHARACTERISTICS

$V_{DD} = 2.5\text{ V to }5.5\text{ V}$. All specifications T_{MIN} to T_{MAX} , unless otherwise noted.

Table 3.

| Parameter | Limit at T_{MIN} , T_{MAX} A Version and B Version | Unit | Conditions/Comments |
|-----------|-----------------------------------------------------------|-------------------|-------------------------------------------------------------------|
| f_{SCL} | 400 | kHz max | SCL clock frequency |
| t_1 | 2.5 | $\mu\text{s min}$ | SCL cycle time |
| t_2 | 0.6 | $\mu\text{s min}$ | t_{HIGH} , SCL high time |
| t_3 | 1.3 | $\mu\text{s min}$ | t_{LOW} , SCL low time |
| t_4 | 0.6 | $\mu\text{s min}$ | $t_{HD, STA}$, start/repeated start condition hold time |
| t_5 | 100 | ns min | $t_{SU, DAT}$, data setup time |
| t_6^1 | 0.9 | $\mu\text{s max}$ | $t_{HD, DAT}$, data hold time |
| | 0 | $\mu\text{s min}$ | $t_{HD, DAT}$, data hold time |
| t_7 | 0.6 | $\mu\text{s min}$ | $t_{SU, STA}$, setup time for repeated start |
| t_8 | 0.6 | $\mu\text{s min}$ | $t_{SU, STO}$, stop condition setup time |
| t_9 | 1.3 | $\mu\text{s min}$ | t_{BUF} , bus free time between a stop and a start condition |
| t_{10} | 300 | ns max | t_R , rise time of SCL and SDA when receiving |
| | 0 | ns min | t_R , rise time of SCL and SDA when receiving (CMOS compatible) |
| t_{11} | 250 | ns max | t_F , fall time of SDA when transmitting |
| | 0 | ns min | t_F , fall time of SDA when receiving (CMOS compatible) |
| | 300 | ns max | t_F , fall time of SCL and SDA when receiving |
| | $20 + 0.1 C_B^2$ | ns min | t_F , fall time of SCL and SDA when transmitting |
| C_B | 400 | pF max | Capacitive load for each bus line |

¹ A master device must provide a hold time of at least 300 ns for the SDA signal (referred to $V_{IH\ min}$ of the SCL signal) to bridge the undefined region of SCL's falling edge.

² C_B is the total capacitance of one bus line in pF; t_R and t_F measured between $0.3 V_{DD}$ and $0.7 V_{DD}$.

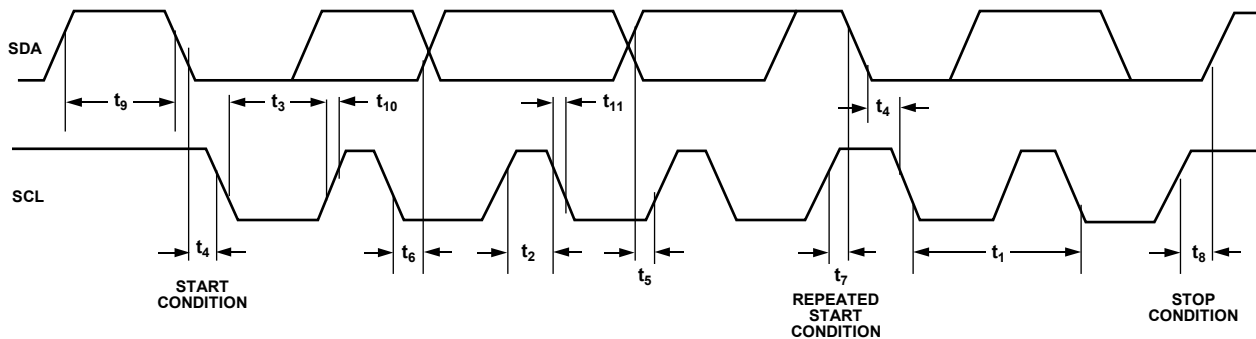


Figure 2. 2-Wire Serial Interface Timing Diagram

03756-002

ABSOLUTE MAXIMUM RATINGS

$T_A = 25^\circ\text{C}$, unless otherwise noted.

Table 4.

| Parameter | Rating |
|-----------------------------------|---------------------------------------|
| V_{DD} to GND | -0.3 V to +7 V |
| SCL, SDA to GND | -0.3 V to $V_{DD} + 0.3$ V |
| A0 to GND | -0.3 V to $V_{DD} + 0.3$ V |
| Reference Input Voltage to GND | -0.3 V to $V_{DD} + 0.3$ V |
| V_{OUTA} to V_{OUTB} to GND | -0.3 V to $V_{DD} + 0.3$ V |
| Operating Temperature Range | |
| Industrial (B Version) | -40°C to +105°C |
| Storage Temperature Range | -65°C to +150°C |
| Junction Temperature (T_J max) | 150°C |
| MSOP Package | |
| Power Dissipation | $(T_J \text{ max} - T_A) \theta_{JA}$ |
| θ_{JA} Thermal Impedance | 206°C/W |
| θ_{JC} Thermal Impedance | 44°C/W |
| Lead Temperature | JEDEC Industry Standard |
| Soldering | J-STD-020 |

Stresses above those listed under Absolute Maximum Ratings may cause permanent damage to the device. This is a stress rating only; functional operation of the device at these or any other conditions above those indicated in the operational section of this specification is not implied. Exposure to absolute maximum rating conditions for extended periods may affect device reliability.

Transient currents of up to 100 mA do not cause SCR latch-up.

ESD CAUTION



ESD (electrostatic discharge) sensitive device. Charged devices and circuit boards can discharge without detection. Although this product features patented or proprietary protection circuitry, damage may occur on devices subjected to high energy ESD. Therefore, proper ESD precautions should be taken to avoid performance degradation or loss of functionality.

AD5337/AD5338/AD5339

PIN CONFIGURATION AND FUNCTION DESCRIPTIONS

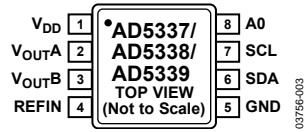


Figure 3. Pin Configuration

Table 5. Pin Function Descriptions

| Pin No. | Mnemonic | Description |
|---------|-------------------|--------------------------------------------------------------------------------------------------------------------------------------------------------------------------------------------------------------------------------------------------|
| 1 | V _{DD} | Power Supply Input. These parts can be operated from 2.5 V to 5.5 V, and the supply should be decoupled to GND. |
| 2 | V _{OUTA} | Buffered Analog Output Voltage from DAC A. The output amplifier has rail-to-rail operation. |
| 3 | V _{OUTB} | Buffered Analog Output Voltage from DAC B. The output amplifier has rail-to-rail operation. |
| 4 | REFIN | Reference Input Pin for the Two DACs. It has an input range from 0.25 V to V _{DD} . |
| 5 | GND | Ground Reference Point for All Circuitry on the Parts. |
| 6 | SDA | Serial Data Line. This is used in conjunction with the SCL line to clock data into or out of the 16-bit input shift register. SDA is a bidirectional open-drain data line that should be pulled to the supply with an external pull-up resistor. |
| 7 | SCL | Serial Clock Line. This is used in conjunction with the SDA line to clock data into or out of the 16-bit input shift register. Clock rates of up to 400 kbps can be accommodated in the 2-wire interface. |
| 8 | A0 | Address Input. Sets the least significant bit of the 7-bit slave address. |

TYPICAL PERFORMANCE CHARACTERISTICS

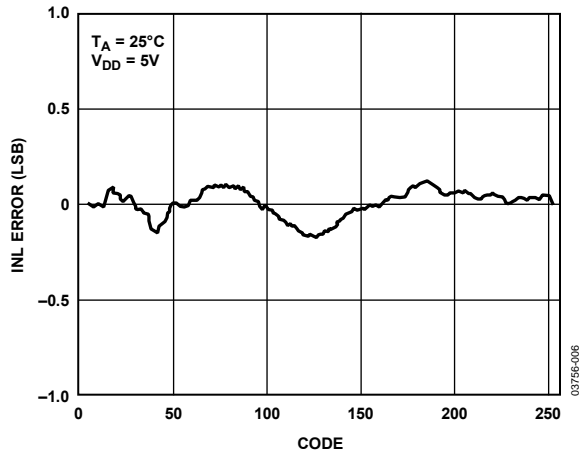


Figure 4. AD5337 Typical INL Plot

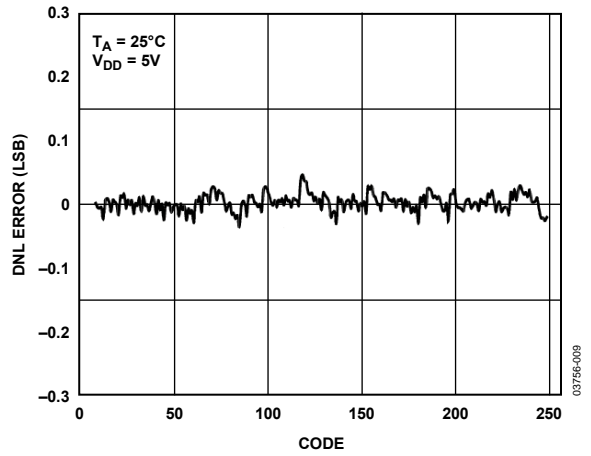


Figure 7. AD5337 Typical DNL Plot

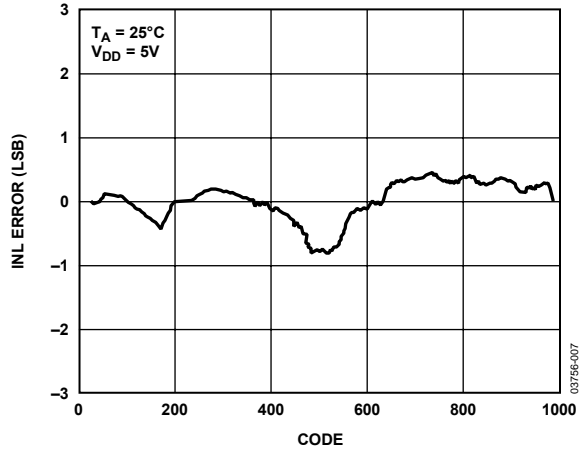


Figure 5. AD5338 Typical INL Plot

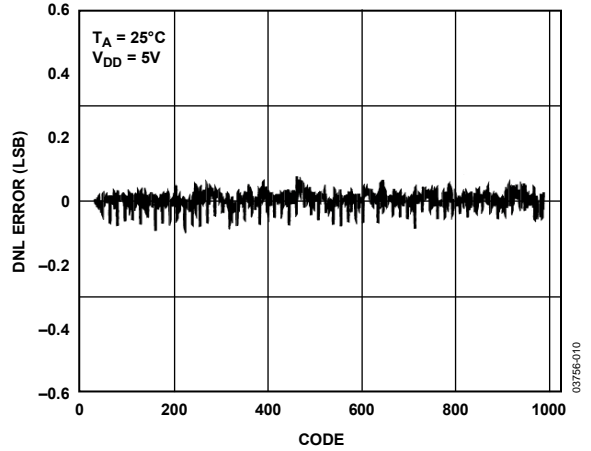


Figure 8. AD5338 Typical DNL Plot

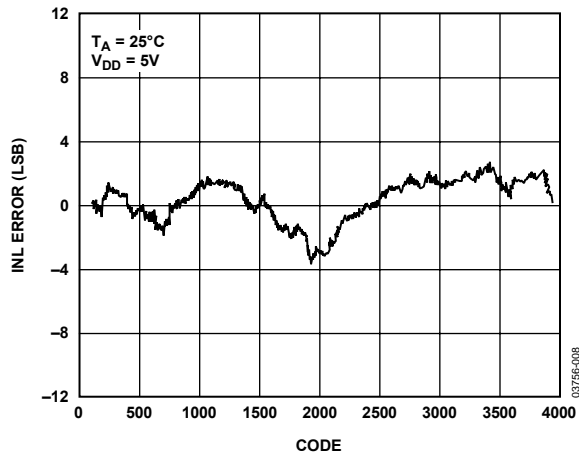


Figure 6. AD5339 Typical INL Plot

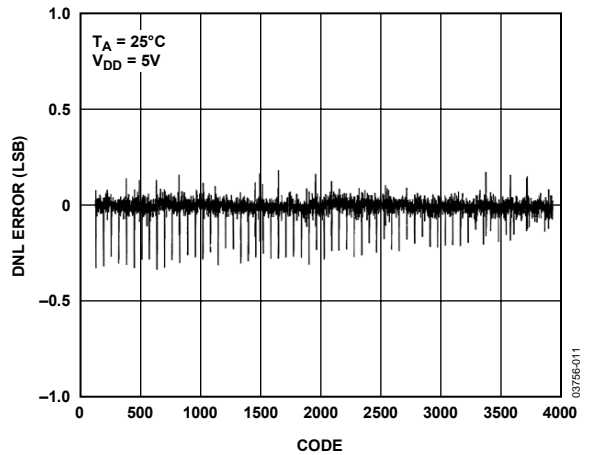


Figure 9. AD5339 Typical DNL Plot

AD5337/AD5338/AD5339

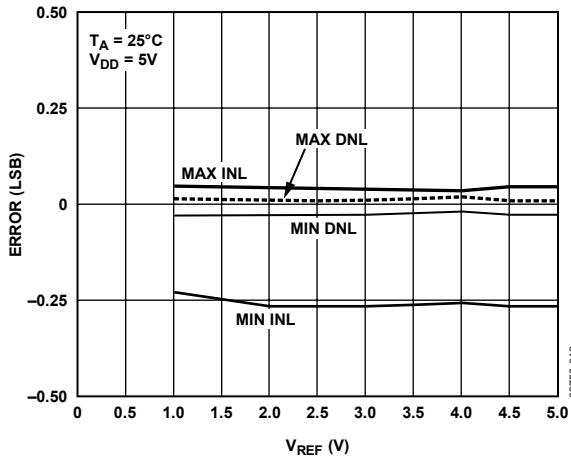


Figure 10. AD5337 INL and DNL Error vs. V_{REF}

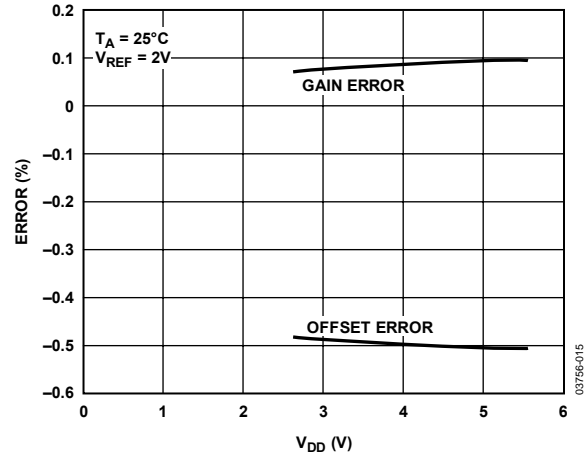


Figure 13. Offset Error and Gain Error vs. V_{DD}

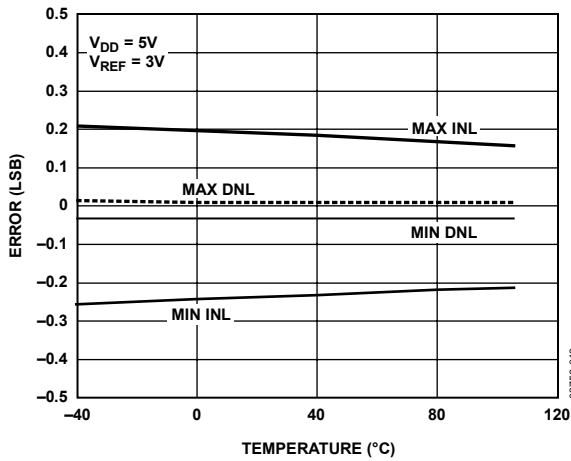


Figure 11. AD5337 INL and DNL Error vs. Temperature

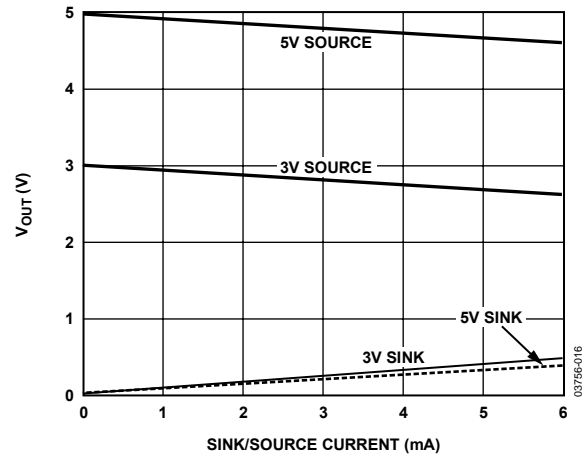


Figure 14. V_{out} Source and Sink Current Capability

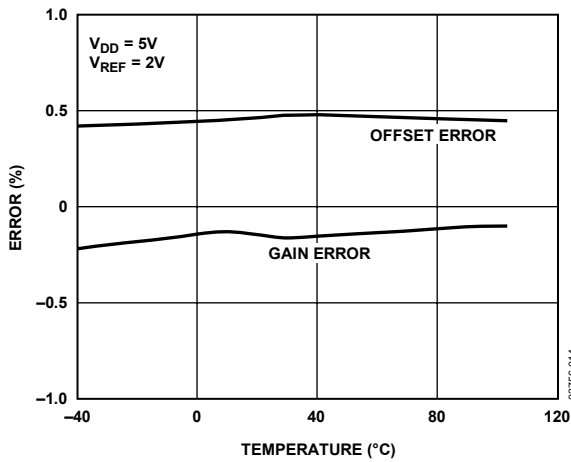


Figure 12. AD5337 Offset Error and Gain Error vs. Temperature

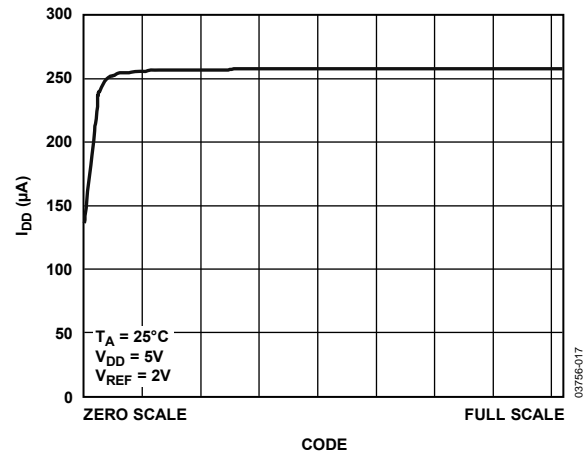


Figure 15. Supply Current vs. Code

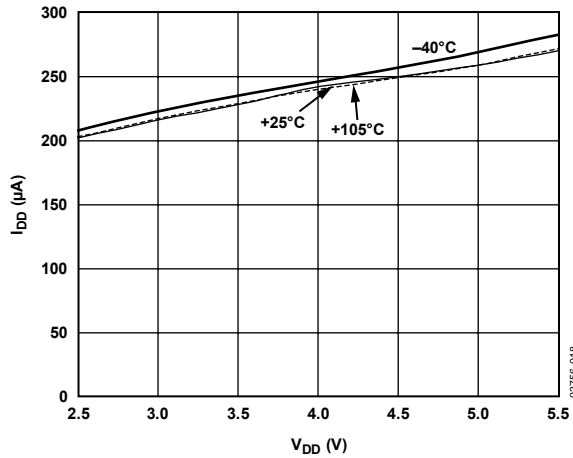


Figure 16. Supply Current vs. Supply Voltage

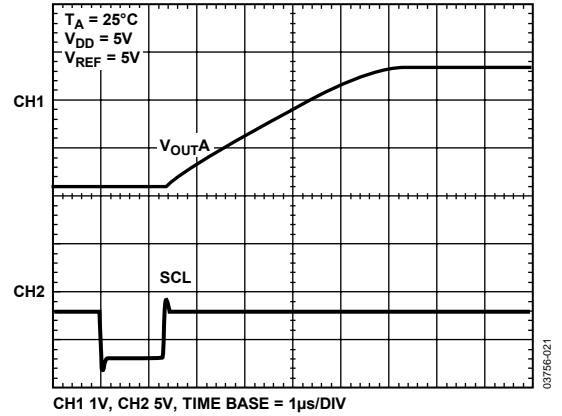


Figure 19. Midscale Settling ($1/4$ to $3/4$ Scale Code Change)

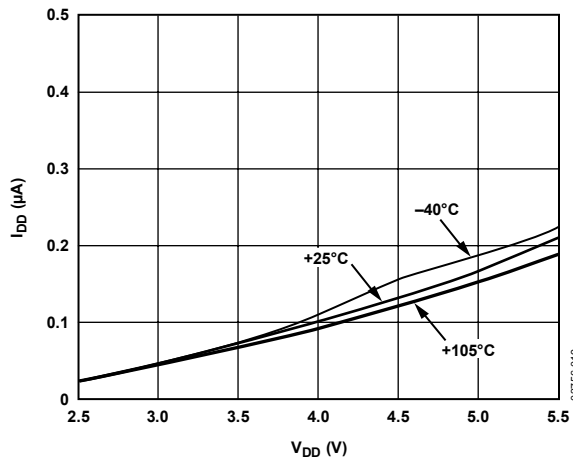


Figure 17. Power-Down Current vs. Supply Voltage

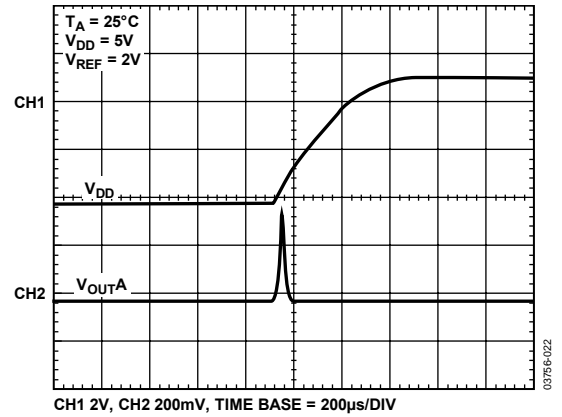


Figure 20. Power-On Reset to 0V

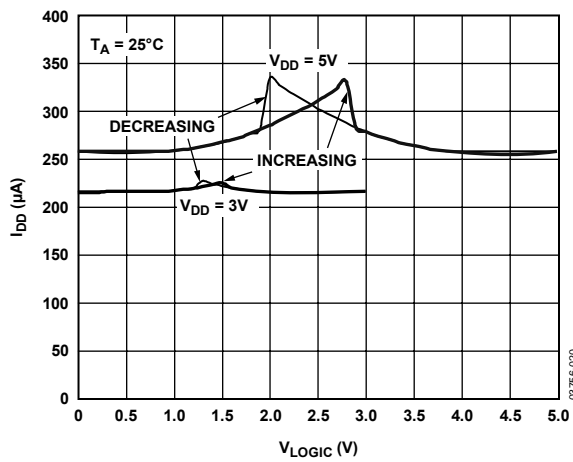


Figure 18. Supply Current vs. Logic Input Voltage for SDA and SCL Voltage Increasing and Decreasing

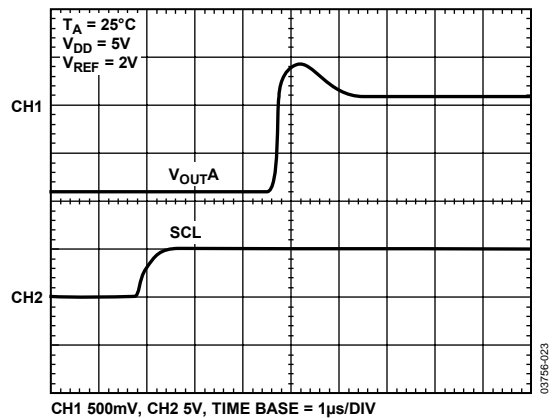


Figure 21. Existing Power-Down to Midscale

AD5337/AD5338/AD5339

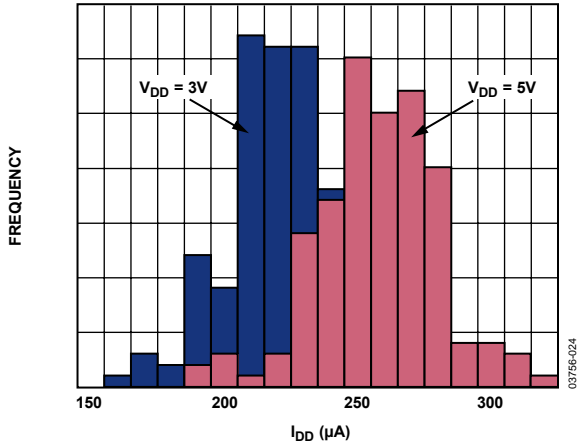


Figure 22. I_{DD} Histogram with $V_{DD} = 3\text{ V}$ and $V_{DD} = 5\text{ V}$

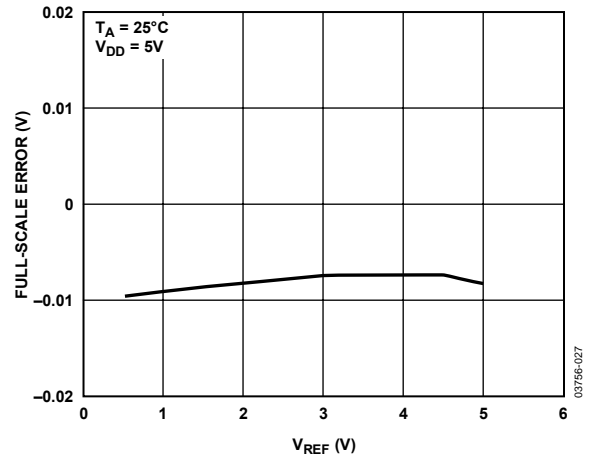


Figure 25. Full-Scale Error vs. V_{REF}

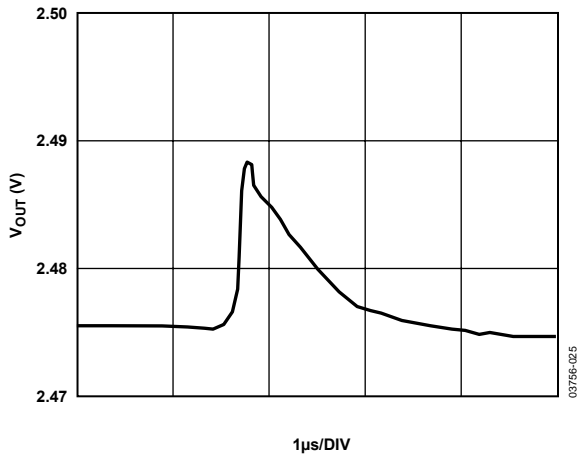


Figure 23. AD5339 Major Code Transition Glitch Energy

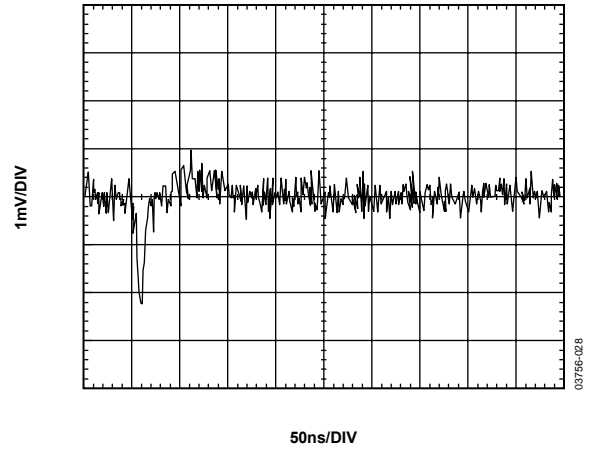


Figure 26. DAC-to-DAC Crosstalk

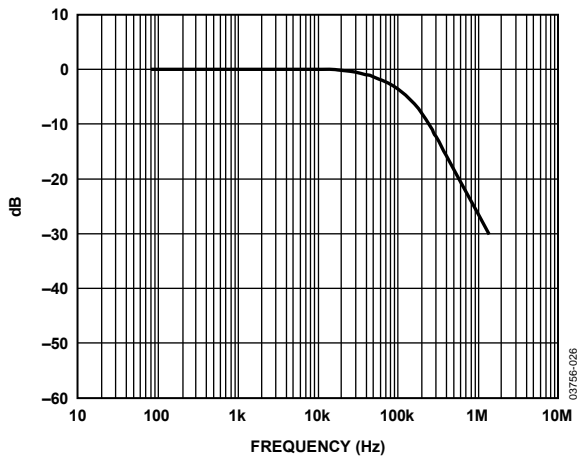


Figure 24. Multiplying Bandwidth (Small-Signal Frequency Response)

TERMINOLOGY

Relative Accuracy (Integral Nonlinearity, INL)

For the DAC, relative accuracy, or integral nonlinearity (INL), is a measure, in LSBs, of the maximum deviation from a straight line passing through the endpoints of the DAC transfer function. Typical INL vs. code plots can be seen in Figure 4, Figure 5, and Figure 6.

Differential Nonlinearity (DNL)

The difference between the measured change and the ideal 1 LSB change between any two adjacent codes. A specified differential nonlinearity of ± 1 LSB maximum ensures monotonicity. This DAC is guaranteed monotonic by design. Typical DNL vs. code plots can be seen in Figure 7, Figure 8, and Figure 9.

Offset Error

A measure of the offset error of the DAC and the output amplifier, expressed as a percentage of the full-scale range.

Gain Error

A measure of the span error of the DAC. It is the deviation in slope of the actual DAC transfer characteristic from the ideal, expressed as a percentage of the full-scale range.

Offset Error Drift

A measure of the change in offset error with changes in temperature. It is expressed in (ppm of full-scale range)/ $^{\circ}\text{C}$.

Gain Error Drift

A measure of the change in gain error with changes in temperature. It is expressed in (ppm of full-scale range)/ $^{\circ}\text{C}$.

Power Supply Rejection Ratio (PSRR)

This indicates how the output of the DAC is affected by changes in the supply voltage. PSRR is the ratio of the change in V_{OUT} to a change in V_{DD} for full-scale output of the DAC. It is measured in dB. V_{REF} is held at 2 V and V_{DD} is varied $\pm 10\%$.

DC Crosstalk

The dc change in the output level of one DAC at midscale in response to a full-scale code change (all 0s to all 1s and vice versa) and output change of another DAC. It is expressed in μV .

Reference Feedthrough

The ratio of the amplitude of the signal at the DAC output to the reference input when the DAC output is not being updated. It is expressed in dB.

Major Code Transition Glitch Energy

The energy of the impulse injected into the analog output when the code in the DAC register changes state. Normally specified as the area of the glitch in nV-s, it is measured when the digital code is changed by 1 LSB at the major carry transition (011...11 to 100...00 or 100...00 to 011...11).

Digital Feedthrough

A measure of the impulse injected into the analog output of the DAC from the digital input pins of the device when the DAC output is not being updated. Specified in nV-s and measured with a worst-case change on the digital input pins, such as changing from all 0s to all 1s or vice-versa.

Digital Crosstalk

The glitch impulse transferred to the output of one DAC at midscale in response to a full-scale code change (all 0s to all 1s, or vice versa) in the input register of another DAC. It is expressed in nV-s.

DAC-to-DAC Crosstalk

The glitch impulse transferred to the output of one DAC due to a digital code change and subsequent output change of another DAC. This includes both digital and analog crosstalk. It is measured by loading one of the DACs with a full-scale code change (all 0s to all 1s, or vice versa) with the $\overline{\text{LDAC}}$ bit set low and monitoring the output of another DAC. The energy of the glitch is expressed in nV-s.

Multiplying Bandwidth

The amplifiers within the DAC have a finite bandwidth. The multiplying bandwidth is the frequency at which the output amplitude falls to 3 dB below the input. A sine wave on the reference (with full-scale code loaded to the DAC) appears on the output.

Total Harmonic Distortion (THD)

The difference between an ideal sine wave and its attenuated version using the DAC. The sine wave is used as the reference for the DAC, and the THD is a measure of the harmonic distortion present in the DAC output. It is measured in dB.

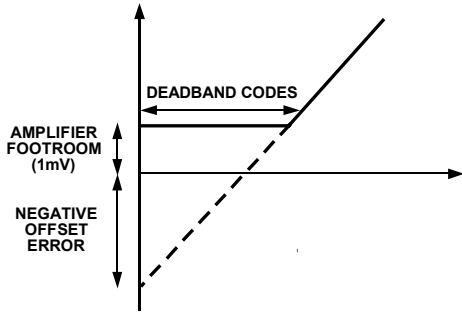
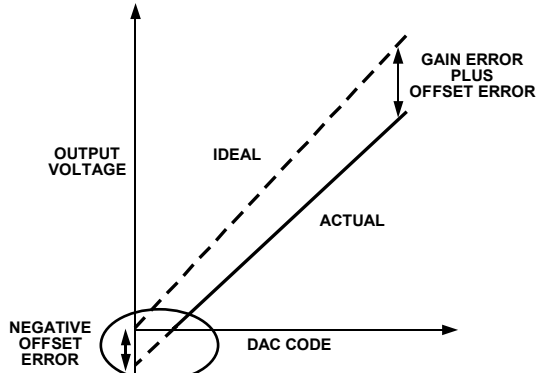


Figure 27. Transfer Function with Negative Offset

03756-004

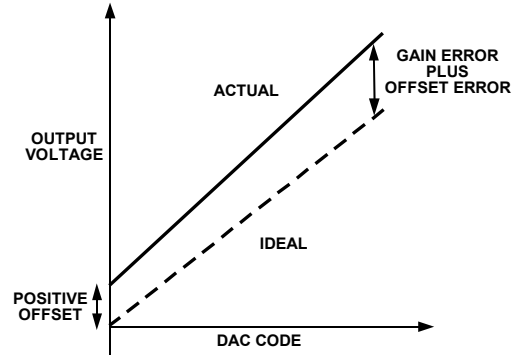


Figure 28. Transfer Function with Positive Offset

03756-005

THEORY OF OPERATION

The AD5337/AD5338/AD5339 are dual resistor string DACs fabricated on a CMOS process with resolutions of 8, 10, and 12 bits, respectively. Each part contains two output buffer amplifiers and is written to via a 2-wire serial interface. The DACs operate from single supplies of 2.5 V to 5.5 V, and the output buffer amplifiers provide rail-to-rail output swing with a slew rate of 0.7 V/ μ s. The two DACs share a single reference input pin. Each DAC has three programmable power-down modes that allow the output amplifier to be configured with either a 1 k Ω load to ground, a 100 k Ω load to ground, or as a high impedance three-state output.

DIGITAL-TO-ANALOG CONVERTER SECTION

The architecture of one DAC channel consists of a resistor-string DAC followed by an output buffer amplifier. The voltage at the REFIN pin provides the reference voltage for the DAC. Figure 29 shows a block diagram of the DAC architecture. Because the input coding to the DAC is straight binary, the ideal output voltage is given by

$$V_{OUT} = \frac{V_{REF} \times D}{2^N}$$

where:

D is the decimal equivalent of the binary code, which is loaded to the DAC register

0 to 255 for AD5337 (8 bits)

0 to 1023 for AD5338 and AD5338-1 (10 bits)

0 to 4095 for AD5339 (12 bits)

N is the DAC resolution.

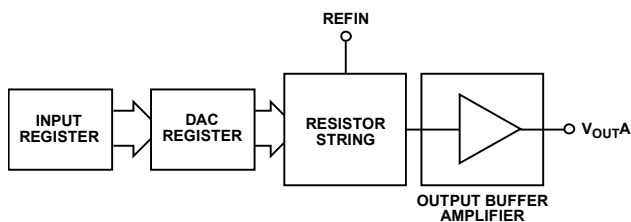


Figure 29. DAC Channel Architecture

RESISTOR STRING

The resistor string portion is shown in Figure 30. It is simply a string of resistors, each of value R . The digital code loaded to the DAC register determines the node at which the voltage is tapped off and fed into the output amplifier. The voltage is tapped off by closing one of the switches that connects the string to the amplifier. Because the DAC comprises a string of resistors, it is guaranteed to be monotonic.

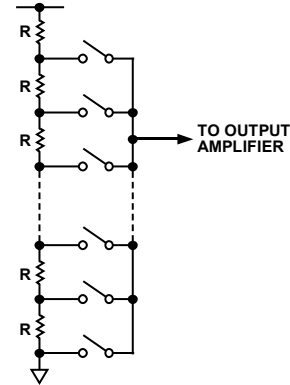


Figure 30. Resistor String

DAC REFERENCE INPUTS

There is a single reference input pin for the two DACs. The reference input is unbuffered. The user can have a reference voltage as low as 0.25 V and as high as V_{DD} , because there is no restriction due to headroom and foot room of any reference amplifier.

It is recommended to use a buffered reference in the external circuit, for example, REF192. The input impedance is typically 45 k Ω .

OUTPUT AMPLIFIER

The output buffer amplifier is capable of generating rail-to-rail voltages on its output, which gives an output range of 0 V to V_{DD} when the reference is V_{DD} . The amplifier is capable of driving a load of 2 k Ω to GND or V_{DD} in parallel with 500 pF to GND or V_{DD} . The source and sink capabilities of the output amplifier can be seen in the plot in Figure 14.

The slew rate is 0.7 V/ μ s with a half-scale settling time to ± 0.5 LSB (at 8 bits) of 6 μ s.

POWER-ON RESET

The AD5337/AD5338/AD5339 power on in a defined state via a power-on reset function. The power-on state is normal operation, with output voltage set to 0 V.

Both input and DAC registers are filled with zeros until a valid write sequence is made to the device. This is particularly useful in applications where it is important to know the state of the DAC outputs while the device is powering on.

AD5337/AD5338/AD5339

SERIAL INTERFACE

The AD5337/AD5338/AD5339 are controlled via an I²C[®]-compatible serial bus. The DACs are connected to this bus as slave devices, that is, no clock is generated by the AD5337/AD5338/AD5339 DACs. This interface is SMBus compatible at $V_{DD} < 3.6$ V.

The AD5337/AD5338/AD5339 have a 7-bit slave address. The six MSBs are 000110, and the LSB is determined by the state of the A0 pin. The facility of making hardwired changes to A0 allows the use of one or two of these devices on one bus. The AD5338-1 has a unique 7-bit slave address. The six MSBs are 010001, and the LSB is determined by the state of the A0 pin. Using a combination of AD5338 and AD5338-1 allows the user to accommodate four of these dual 10-bit devices (eight channels) on the same bus.

The 2-wire serial bus protocol operates as follows:

1. The master initiates data transfer by establishing a start condition when a high-to-low transition on the SDA line occurs while SCL is high. The following byte is the address byte, which consists of the 7-bit slave address, followed by an R/W bit. (This bit determines whether data is read from or written to the slave device.)

The slave with the address corresponding to the transmitted address responds by pulling SDA low during the ninth clock pulse (this is termed the acknowledge bit). At this stage, all other devices on the bus remain idle while the selected device waits for data to be written to or read from its shift register.

2. Data is transmitted over the serial bus in sequences of nine clock pulses (eight data bits, followed by an acknowledge bit). The transitions on the SDA line must occur during the low period of SCL and remain stable during the high period of SCL.
3. When all data bits have been read from or written to, a stop condition is established. In write mode, the master pulls the SDA line high during the 10th clock pulse to establish a stop condition. In read mode, the master issues a No Acknowledge for the ninth clock pulse, that is, the SDA line remains high. The master then brings the SDA line low before the 10th clock pulse and high during the 10th clock pulse to establish a stop condition.

Read/Write Sequence

For the AD5337/AD5338/AD5339, all write access sequences and most read sequences begin with the device address (with $R/\overline{W} = 0$), followed by the pointer byte. This pointer byte specifies which DAC is being accessed in the subsequent read/write operation (see Figure 31). In a write operation, the data follows immediately. In a read operation, the address is resent with $R/\overline{W} = 1$, and then the data is read back. However, it is also possible to perform a read operation by sending only the address with $R/\overline{W} = 1$. The previously loaded pointer settings are then used for the readback operation. See Figure 32 for a graphical explanation of the interface.

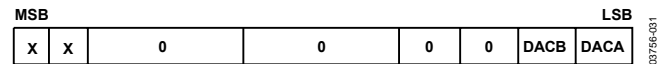


Figure 31. Pointer Byte

Table 6 explains the individual bits that make up the pointer byte.

Table 6. Pointer Byte Bits

| Pointer Byte Bit | Description |
|------------------|--------------------------------------------|
| X | Don't care bits. |
| 0 | This bit is reserved and must be set to 0 |
| DACB | 1: The following data bytes are for DAC B. |
| DACA | 1: The following data bytes are for DAC A. |

Input Shift Register

The input shift register is 16 bits wide. Data is loaded into the device as two data bytes on the serial data line, SDA, under the control of the serial clock input, SCL. The timing diagram for this operation is shown in Figure 2. The two data bytes consist of four control bits followed by 8, 10, or 12 bits of DAC data, depending on the device type. The first two bits loaded are Bit PD1 and Bit PD0, which control the mode of operation of the device. See the Power-Down Modes section for a complete description. Bit 13 is \overline{CLR} , Bit 12 is \overline{LDAC} , and the remaining bits are left-justified DAC data bits, starting with the MSB (see Figure 32).

Table 7. Input Shift Register

| Register | Setting | Result |
|-------------------|---------|--------------------------------------------------------------------------------------------------------------------|
| \overline{CLR} | 0 | All DAC registers and input registers are filled with 0s on completion of the write sequence. |
| | 1 | Normal operation. |
| \overline{LDAC} | 0 | The two DAC registers and, therefore, all DAC outputs, simultaneously updated on completion of the write sequence. |
| | 1 | Addressed input register only is updated. There is no change in the contents of the DAC registers. |

Default Readback Condition

All pointer byte bits power up to 0. Therefore, if the user initiates a readback without writing to the pointer byte first, no single DAC channel has been specified. In this case, the default readback bits are all 0s, except for the CLR bit, which is 1.

Multiple DAC Write Sequence

Because there are individual bits in the pointer byte for each DAC, it is possible to write the same data and control bits to two DACs simultaneously by setting the relevant bits to 1.

Multiple DAC Read Back Sequence

If the user attempts to read back data from more than one DAC at a time, the part reads back the default, power-on reset conditions, that is, all 0s except for CLR, which is 1.

WRITE OPERATION

When writing to the AD5337/AD5338/AD5339 DACs, the user must begin with an address byte (R/W = 0), after which the DAC acknowledges that it is prepared to receive data by pulling SDA low. This address byte is followed by the pointer byte, which is also acknowledged by the DAC. Two bytes of data are then written to the DAC, as shown in Figure 33. A stop condition follows.

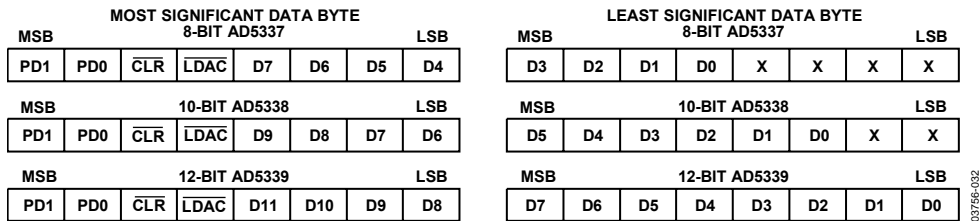


Figure 32. Data Formats for Write and Read Back

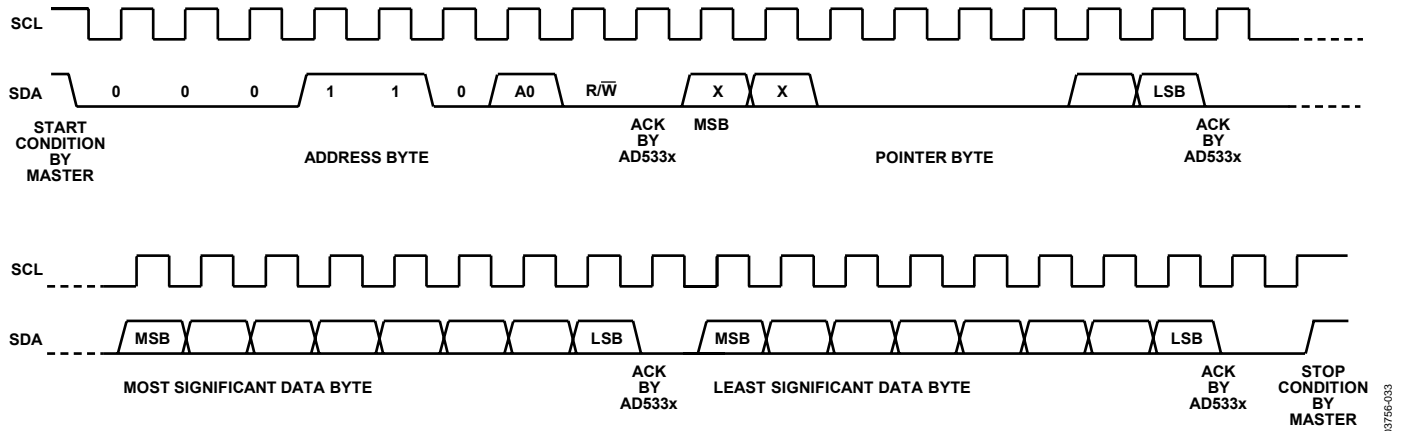


Figure 33. Write Sequence

AD5337/AD5338/AD5339

READ OPERATION

When reading data back from the AD5337/AD5338/AD5339 DACs, the user begins with an address byte ($R/\bar{W} = 0$), after which the DAC acknowledges that it is prepared to receive data by pulling SDA low. This address byte is usually followed by the pointer byte, which is also acknowledged by the DAC. Then, the master initiates another start condition (repeated start) and the address is resent with $R/\bar{W} = 1$. This is acknowledged by the DAC indicating that it is prepared to transmit data. Two bytes of data are then read from the DAC as shown in Figure 34. A stop condition follows.

Note that in a read sequence, data bytes are the same as those in the write sequence, except that don't cares are read back as 0s. However, if the master sends an ACK and continues clocking SCL (no stop is sent), the DAC retransmits the same two bytes of data on SDA. This allows continuous read back of data from the selected DAC register. Alternatively, the user can send a start followed by the address with $R/\bar{W} = 1$. In this case, the previously loaded pointer settings are used and read back of data can begin immediately.

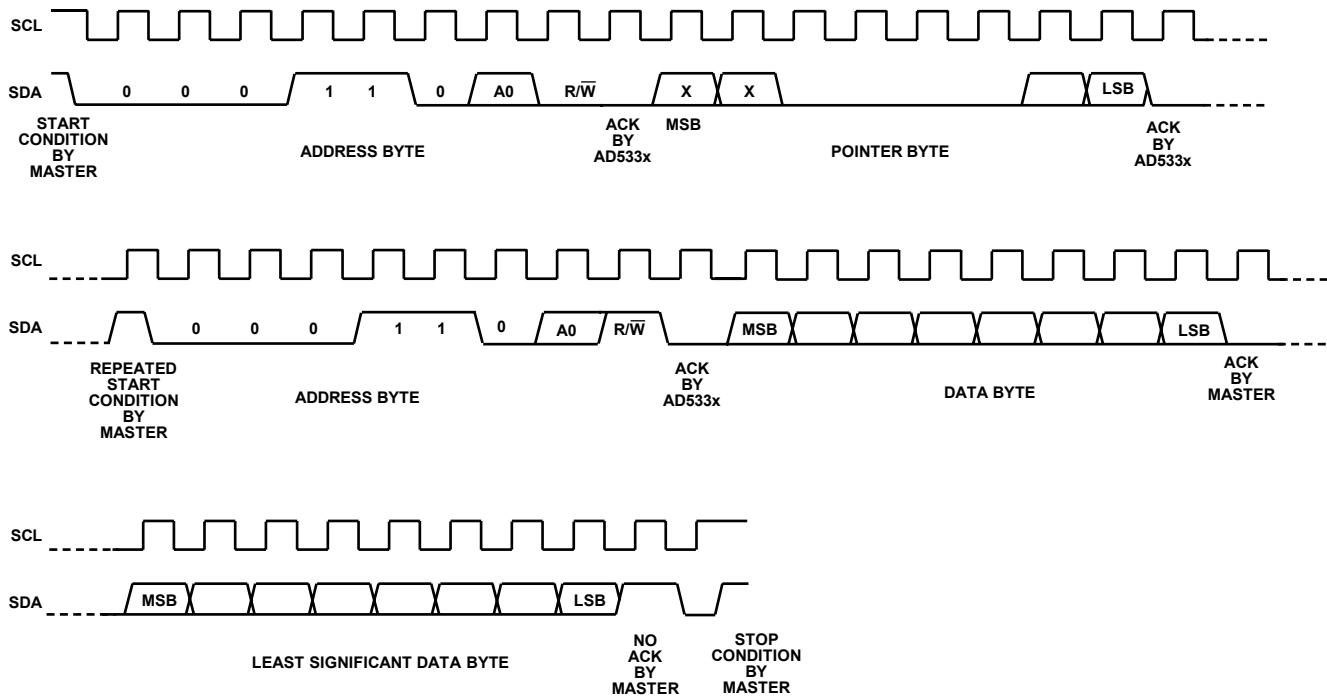


Figure 34. Read Sequence

03756-034

DOUBLE-BUFFERED INTERFACE

The AD5337/AD5338/AD5339 DACs have a double-buffered interface consisting of two banks of registers—an input register and a DAC register per channel. The input register is directly connected to the input shift register, and the digital code is transferred to the relevant input register upon completion of a valid write sequence. The DAC register contains the digital code used by the resistor string.

Access to the DAC register is controlled by the $\overline{\text{LDAC}}$ bit. When the $\overline{\text{LDAC}}$ bit is set high, the DAC register is latched and therefore, the input register can change state without affecting the DAC register. This is useful if the user requires simultaneous updating of all DAC outputs. The user can write to three of the input registers individually; by setting the $\overline{\text{LDAC}}$ bit low when writing to the remaining DAC input register, all outputs update simultaneously.

These parts contain an extra feature whereby the DAC register is only updated if its input register has been updated since the last time that $\overline{\text{LDAC}}$ was brought low, thereby removing unnecessary digital crosstalk.

POWER-DOWN MODES

The AD5337/AD5338/AD5339 have very low power consumption, typically dissipating 0.75 mW with a 3 V supply and 1.5 mW with a 5 V supply. Power consumption can be further reduced when the DACs are not in use by putting them into one of three power-down modes, which are selected by Bit 15 and Bit 14 (PD1 and PD0) of the data byte. Table 8 shows how the state of the bits corresponds to the mode of operation of the DAC.

Table 8. PD1/PD0 Operating Modes

| PD1 | PD0 | Operating Mode |
|-----|-----|-----------------------------------------|
| 0 | 0 | Normal operation |
| 0 | 1 | Power-down (1 k Ω load to GND) |
| 1 | 0 | Power-down (100 k Ω load to GND) |
| 1 | 1 | Power-down (three-state output) |

When both bits are 0, the DAC works with its normal power consumption of 300 μA at 5 V. However, for the three power-down modes, the supply current falls to 200 nA at 5 V (80 nA at 3 V). Not only does the supply current drop, but the output stage is also internally switched from the output of the amplifier to a resistor network of known values. This is advantageous in that the output impedance of the part is known while the part is in power-down mode, which provides a defined input condition for whatever is connected to the output of the DAC amplifier. There are three options. The output can be connected internally to GND through a 1 k Ω resistor, a 100 k Ω resistor, or can be left open-circuited (three-state). Resistor tolerance = $\pm 20\%$. The output stage is illustrated in Figure 35.

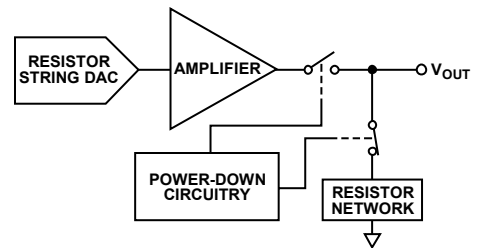


Figure 35. Output Stage During Power-Down

The bias generator, output amplifiers, resistor string, and all other associated linear circuitry are shut down when power-down mode is activated. However, the contents of the DAC registers remain unchanged when power-down mode is activated. The time to exit power-down is typically 2.5 μs for $V_{\text{DD}} = 5 \text{ V}$ and 5 μs when $V_{\text{DD}} = 3 \text{ V}$. This is the time from the rising edge of the eighth SCL pulse to the time when the output voltage deviates from its power-down voltage (see Figure 21 for a plot).

APPLICATIONS

TYPICAL APPLICATION CIRCUIT

The AD5337/AD5338/AD5339 can be used with a wide range of reference voltages for full, one-quadrant multiplying capability over a reference range of 0 V to V_{DD} . More typically, these devices are used with a fixed precision reference voltage. Suitable references for 5 V operation are the [AD780](#), the [REF192](#), and the [ADR391](#) (2.5 V references). For 2.5 V operation, a suitable external reference would be the [AD589](#) or [AD1580](#), a 1.23 V band gap reference. Figure 36 shows a typical setup for the AD5337/AD5338/AD5339 when using an external reference. Note that A0 can be high or low.

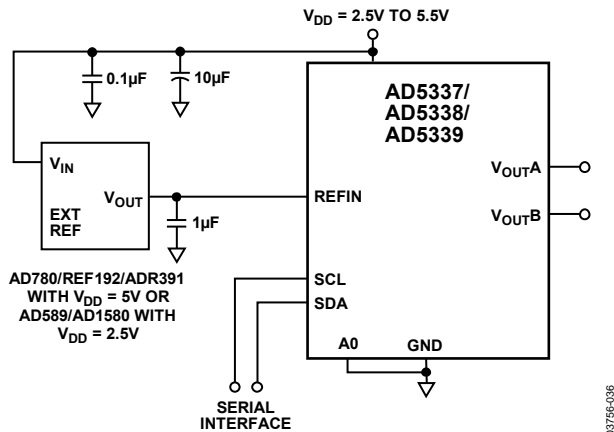


Figure 36. AD5337/AD5338/AD5339 Using External Reference

If an output range of 0 V to V_{DD} is required, the simplest solution is to connect the reference input to V_{DD} . Because this supply can be inaccurate and noisy, the AD5337/AD5338/AD5339 can be powered from a reference voltage, for example, using a 5 V reference such as the [REF195](#), which provides a steady output supply voltage. With no load on the DACs, the REF195 is required to supply 600 μ A supply current to the DAC and 112 μ A to the reference input. When the DAC outputs are loaded, the REF195 also needs to supply the current to the loads; therefore, the total current required with a 10 k Ω load on each output is

$$712 \mu\text{A} + 2 \times (5 \text{ V}/10 \text{ k}\Omega) = 1.7 \text{ mA}$$

The load regulation of the REF195 is typically 2 ppm/mA, which results in an error of 3.4 ppm (17 μ V) for the 1.7 mA current drawn from it. This corresponds to a 0.0009 LSB error at 8 bits and a 0.014 LSB error at 12 bits.

BIPOLAR OPERATION

The AD5337/AD5338/AD5339 are designed for single-supply operation, but a bipolar output range is also possible using the circuit in Figure 37. This circuit gives an output voltage range of ± 5 V. Rail-to-rail operation at the amplifier output is achievable using an [AD820](#) or an [OP295](#) as the output amplifier.

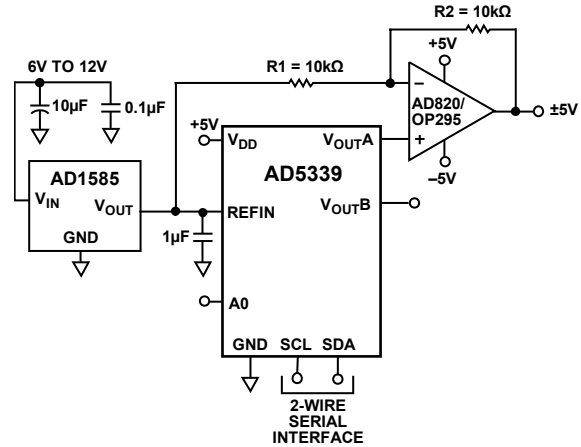


Figure 37. Bipolar Operation with the AD5339

The output voltage for any input code can be calculated as follows:

$$V_{OUT} = \left[\left(REFIN \times \frac{D}{2^N} \right) \times \frac{R1 + R2}{R1} - REFIN \times \frac{R2}{R1} \right]$$

where:

D is the decimal equivalent of the code loaded to the DAC.

N is the DAC resolution.

$REFIN$ is the reference voltage input.

With $REFIN = 5$ V, $R1 = R2 = 10$ k Ω :

$$V_{OUT} = (10 \times D/2^N) - 5$$

MULTIPLE DEVICES ON ONE BUS

Figure 38 shows two AD5339 devices on the same serial bus. Each has a different slave address because the state of the A0 pin is different. This allows each of four DACs to be written to or read from independently.

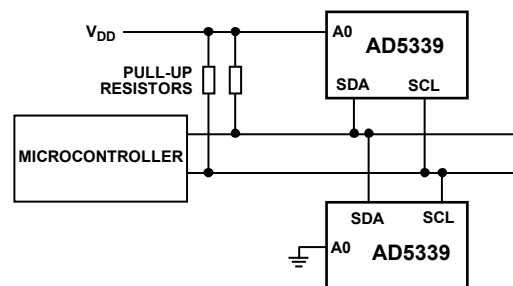
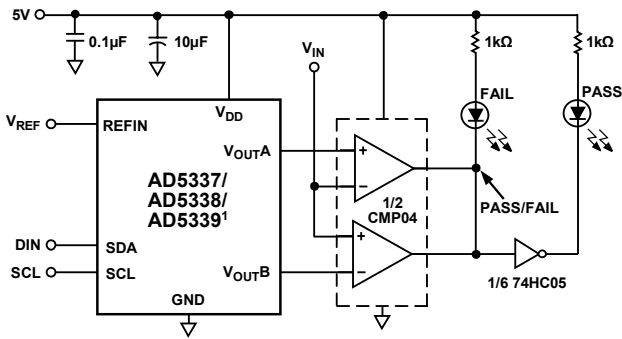


Figure 38. Multiple AD5339 Devices on One Bus

PRODUCT AS A DIGITALLY PROGRAMMABLE WINDOW DETECTOR

Figure 39 shows a digitally programmable upper/lower limit detector using the two DACs in the AD5337/AD5338/AD5339. The upper and lower limits for the test are loaded into DAC A and DAC B, which, in turn, set the limits on the CMP04. If the signal at the V_{IN} input is not within the programmed window, an LED indicates the fail condition.



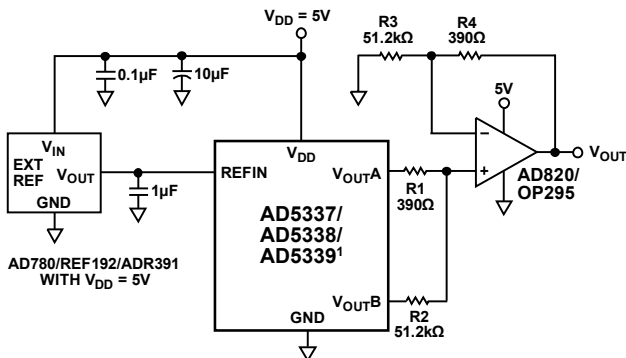
¹ADDITIONAL PINS OMITTED FOR CLARITY.

Figure 39. Window Detection

COARSE AND FINE ADJUSTMENT CAPABILITIES

The two DACs in the AD5337/AD5338/AD5339 can be paired together to form a coarse and fine adjustment function, as shown in Figure 40. DAC A is used to provide the coarse adjustment while DAC B provides the fine adjustment. Varying the ratio of R1 and R2 changes the relative effect of the coarse and fine adjustments. With the resistor values and external reference shown, the output amplifier has unity gain for the DAC A output, thus, the output range is 0 V to 2.5 V – 1 LSB. For DAC B, the amplifier has a gain of 7.6×10^{-3} , giving DAC B a range equal to 19 mV.

The circuit is shown with a 2.5 V reference, but reference voltages up to V_{DD} can be used. The op amps indicated allow a rail-to-rail output swing.



¹ADDITIONAL PINS OMITTED FOR CLARITY.

Figure 40. Coarse/Fine Adjustment

POWER SUPPLY DECOUPLING

In any circuit where accuracy is important, careful consideration of the power supply and ground return layout helps to ensure the rated performance. The printed circuit board on which the AD5337/AD5338/AD5339 are mounted should be designed so that the analog and digital sections are separated and confined to certain areas of the board. If the AD5337/AD5338/AD5339 are in a system where multiple devices require an AGND-to-DGND connection, the connection should be made at one point only. The star ground point should be established as close as possible to the device. The AD5337/AD5338/AD5339 should have ample supply bypassing of 10 µF in parallel with 0.1 µF on the supply located as close to the package as possible, ideally right up against the device. The 10 µF capacitors are the tantalum bead type. The 0.1 µF capacitor should have low effective series resistance (ESR) and low effective series inductance (ESI) to provide a low impedance path to ground at high frequencies to handle transient currents due to internal logic switching. The power supply lines of the AD5337/AD5338/AD5339 should use as large a trace as possible to provide low impedance paths and reduce the effects of glitches on the power supply line. Fast switching signals such as clocks should be shielded with digital ground to avoid radiating noise to other parts of the board, and they should never be run near the reference inputs. A ground line routed between the SDA and SCL lines helps to reduce crosstalk between them. This is not required on a multilayer board because there is a separate ground plane, but separating the lines does help.

Avoid crossover of digital and analog signals. Traces on opposite sides of the board should run at right angles to each other. This reduces the effects of feedthrough on the board. Using a microstrip technique is the best solution, but its use is not always possible with a double-sided board. In this technique, the component side of the board is dedicated to the ground plane, while signal traces are placed on the solder side.

AD5337/AD5338/AD5339

Table 9. Overview of All AD53xx Serial Devices

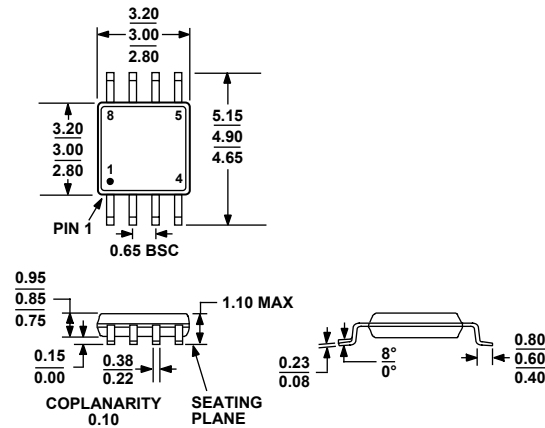
| Part No. | Resolution (Bits) | No. of DACs | DNL (LSBs) | Interface | Settling Time (μ s) | Package | No. of Pins |
|----------|-------------------|-------------|------------|-----------|--------------------------|--------------|-------------|
| Single | | | | | | | |
| AD5300 | 8 | 1 | ± 0.25 | SPI | 4 | SOT-23, MSOP | 6, 8 |
| AD5310 | 10 | 1 | ± 0.50 | SPI | 6 | SOT-23, MSOP | 6, 8 |
| AD5320 | 12 | 1 | ± 1.00 | SPI | 8 | SOT-23, MSOP | 6, 8 |
| AD5301 | 8 | 1 | ± 0.25 | 2-Wire | 6 | SOT-23, MSOP | 6, 8 |
| AD5311 | 10 | 1 | ± 0.50 | 2-Wire | 7 | SOT-23, MSOP | 6, 8 |
| AD5321 | 12 | 1 | ± 1.00 | 2-Wire | 8 | SOT-23, MSOP | 6, 8 |
| Dual | | | | | | | |
| AD5302 | 8 | 2 | ± 0.25 | SPI | 6 | MSOP | 8 |
| AD5312 | 10 | 2 | ± 0.50 | SPI | 7 | MSOP | 8 |
| AD5322 | 12 | 2 | ± 1.00 | SPI | 8 | MSOP | 8 |
| AD5303 | 8 | 2 | ± 0.25 | SPI | 6 | TSSOP | 16 |
| AD5313 | 10 | 2 | ± 0.50 | SPI | 7 | TSSOP | 16 |
| AD5323 | 12 | 2 | ± 1.00 | SPI | 8 | TSSOP | 16 |
| AD5337 | 8 | 2 | ± 0.25 | 2-Wire | 6 | MSOP | 8 |
| AD5338 | 10 | 2 | ± 0.50 | 2-Wire | 7 | MSOP | 8 |
| AD5338-1 | 10 | 2 | ± 0.50 | 2-Wire | 7 | MSOP | 8 |
| AD5339 | 12 | 2 | ± 1.00 | 2-Wire | 8 | MSOP | 8 |
| Quad | | | | | | | |
| AD5304 | 8 | 4 | ± 0.25 | SPI | 6 | MSOP | 10 |
| AD5314 | 10 | 4 | ± 0.50 | SPI | 7 | MSOP | 10 |
| AD5324 | 12 | 4 | ± 1.00 | SPI | 8 | MSOP | 10 |
| AD5305 | 8 | 4 | ± 0.25 | 2-Wire | 6 | MSOP | 10 |
| AD5315 | 10 | 4 | ± 0.50 | 2-Wire | 7 | MSOP | 10 |
| AD5325 | 12 | 4 | ± 1.00 | 2-Wire | 8 | MSOP | 10 |
| AD5306 | 8 | 4 | ± 0.25 | 2-Wire | 6 | TSSOP | 16 |
| AD5316 | 10 | 4 | ± 0.50 | 2-Wire | 7 | TSSOP | 16 |
| AD5326 | 12 | 4 | ± 1.00 | 2-Wire | 8 | TSSOP | 16 |
| AD5307 | 8 | 4 | ± 0.25 | SPI | 6 | TSSOP | 16 |
| AD5317 | 10 | 4 | ± 0.50 | SPI | 7 | TSSOP | 16 |
| AD5327 | 12 | 4 | ± 1.00 | SPI | 8 | TSSOP | 16 |
| Octal | | | | | | | |
| AD5308 | 8 | 8 | ± 0.25 | SPI | 6 | TSSOP | 16 |
| AD5318 | 10 | 8 | ± 0.50 | SPI | 7 | TSSOP | 16 |
| AD5328 | 12 | 8 | ± 1.00 | SPI | 8 | TSSOP | 16 |

Table 10. Overview of AD53xx Parallel Devices

| Part No. | Resolution (Bits) | DNL (LSBs) | No. of V _{REF} Pins | Settling Time (μs) | Additional Pin Functions | | | | Package | No. of Pins |
|----------|-------------------|------------|---------------------------------|-----------------------|--------------------------|------|------|-----|--------------|-------------|
| | | | | | BUF | GAIN | HBEN | CLR | | |
| Single | | | | | | | | | | |
| AD5300 | 8 | ±0.25 | 1 | 6 | * | * | | * | TSSOP | 20 |
| AD5331 | 10 | ±0.50 | 1 | 7 | | * | | * | TSSOP | 20 |
| AD5340 | 12 | ±1.00 | 1 | 8 | * | * | | * | TSSOP | 24 |
| AD5341 | 12 | ±1.00 | 1 | 8 | * | * | * | * | TSSOP | 20 |
| Dual | | | | | | | | | | |
| AD5332 | 8 | ±0.25 | 2 | 6 | | | | * | TSSOP | 20 |
| AD5333 | 10 | ±0.50 | 2 | 7 | * | * | | * | TSSOP | 24 |
| AD5342 | 12 | ±1.00 | 2 | 8 | * | * | | * | TSSOP | 28 |
| AD5343 | 12 | ±1.00 | 1 | 8 | | | * | * | TSSOP | 20 |
| Quad | | | | | | | | | | |
| AD5334 | 8 | ±0.25 | 2 | 6 | | * | | * | TSSOP | 24 |
| AD5335 | 10 | ±0.50 | 2 | 7 | | | * | * | TSSOP | 24 |
| AD5336 | 10 | ±0.50 | 4 | 7 | | * | | * | TSSOP | 28 |
| AD5344 | 12 | ±1.00 | 4 | 8 | | | | | TSSOP | 28 |
| Octal | | | | | | | | | | |
| AD5346 | 8 | ±0.25 | 4 | 6 | * | * | | * | TSSOP, LFCSP | 38, 40 |
| AD5347 | 10 | ±0.50 | 4 | 7 | * | * | | * | TSSOP, LFCSP | 38, 40 |
| AD5348 | 12 | ±1.00 | 4 | 8 | * | * | | * | TSSOP, LFCSP | 38, 40 |

AD5337/AD5338/AD5339

OUTLINE DIMENSIONS



COMPLIANT TO JEDEC STANDARDS MO-187-AA

Figure 41. 8-Lead Mini Small Outline Package [MSOP] (RM-8)

Dimensions shown in millimeters

ORDERING GUIDE

| Model | Temperature Range | Package Description | Package Option | Branding |
|--------------------------------|-------------------|---------------------|----------------|----------|
| AD5337ARM | -40°C to +105°C | 8-Lead MSOP | RM-8 | D23 |
| AD5337ARM-REEL7 | -40°C to +105°C | 8-Lead MSOP | RM-8 | D23 |
| AD5337ARMZ ¹ | -40°C to +105°C | 8-Lead MSOP | RM-8 | D23# |
| AD5337ARMZ-REEL7 ¹ | -40°C to +105°C | 8-Lead MSOP | RM-8 | D23# |
| AD5337BRM-REEL | -40°C to +105°C | 8-Lead MSOP | RM-8 | D20 |
| AD5337BRM-REEL7 | -40°C to +105°C | 8-Lead MSOP | RM-8 | D20 |
| AD5337BRMZ ¹ | -40°C to +105°C | 8-Lead MSOP | RM-8 | D20# |
| AD5337BRMZ-REEL ¹ | -40°C to +105°C | 8-Lead MSOP | RM-8 | D20# |
| AD5337BRMZ-REEL7 ¹ | -40°C to +105°C | 8-Lead MSOP | RM-8 | D20# |
| AD5338ARM | -40°C to +105°C | 8-Lead MSOP | RM-8 | D24 |
| AD5338ARMZ ¹ | -40°C to +105°C | 8-Lead MSOP | RM-8 | D5F |
| AD5338ARMZ-REEL7 ¹ | -40°C to +105°C | 8-Lead MSOP | RM-8 | D5F |
| AD5338ARMZ-1 ¹ | -40°C to +105°C | 8-Lead MSOP | RM-8 | D57 |
| AD5338ARMZ-1REEL7 ¹ | -40°C to +105°C | 8-Lead MSOP | RM-8 | D57 |
| AD5338BRM | -40°C to +105°C | 8-Lead MSOP | RM-8 | D21 |
| AD5338BRM-REEL | -40°C to +105°C | 8-Lead MSOP | RM-8 | D21 |
| AD5338BRM-REEL7 | -40°C to +105°C | 8-Lead MSOP | RM-8 | D21 |
| AD5338BRMZ ¹ | -40°C to +105°C | 8-Lead MSOP | RM-8 | D5H |
| AD5338BRMZ-1 ¹ | -40°C to +105°C | 8-Lead MSOP | RM-8 | D58 |
| AD5338BRMZ-1REEL7 ¹ | -40°C to +105°C | 8-Lead MSOP | RM-8 | D58 |
| AD5339ARM | -40°C to +105°C | 8-Lead MSOP | RM-8 | D25 |
| AD5339ARMZ ¹ | -40°C to +105°C | 8-Lead MSOP | RM-8 | D6P |
| AD5339ARMZ-REEL7 ¹ | -40°C to +105°C | 8-Lead MSOP | RM-8 | D6P |
| AD5339BRM | -40°C to +105°C | 8-Lead MSOP | RM-8 | D22 |
| AD5339BRM-REEL | -40°C to +105°C | 8-Lead MSOP | RM-8 | D22 |
| AD5339BRM-REEL7 | -40°C to +105°C | 8-Lead MSOP | RM-8 | D22 |
| AD5339BRMZ ¹ | -40°C to +105°C | 8-Lead MSOP | RM-8 | D6R |
| AD5339BRMZ-REEL ¹ | -40°C to +105°C | 8-Lead MSOP | RM-8 | D6R |
| AD5339BRMZ-REEL7 ¹ | -40°C to +105°C | 8-Lead MSOP | RM-8 | D6R |

¹ Z = RoHS Compliant Part. # denotes lead-free product may be top or bottom marked.

NOTES

AD5337/AD5338/AD5339

NOTES

NOTES

NOTES

Purchase of licensed I²C components of Analog Devices or one of its sublicensed Associated Companies conveys a license for the purchaser under the Philips I²C Patent Rights to use these components in an I²C system, provided that the system conforms to the I²C Standard Specification as defined by Philips.

Looking for pricing, stock, or lifecycle information?

Click below to explore more details on WIN SOURCE:

 [View AD5339ARMZ on WIN SOURCE](#)

 [Analog Devices Inc. Information](#)

Optimize Your Supply Chain with WIN SOURCE Solutions

-  Global Sourcing Solution
-  Obsolete Management
-  Cost Control Management
-  Shortage Management
-  Alternative Solution
-  Excess Inventory Management