

GM1BC55250AC

Chip LED

High-Luminosity Blue Chip LED

Features

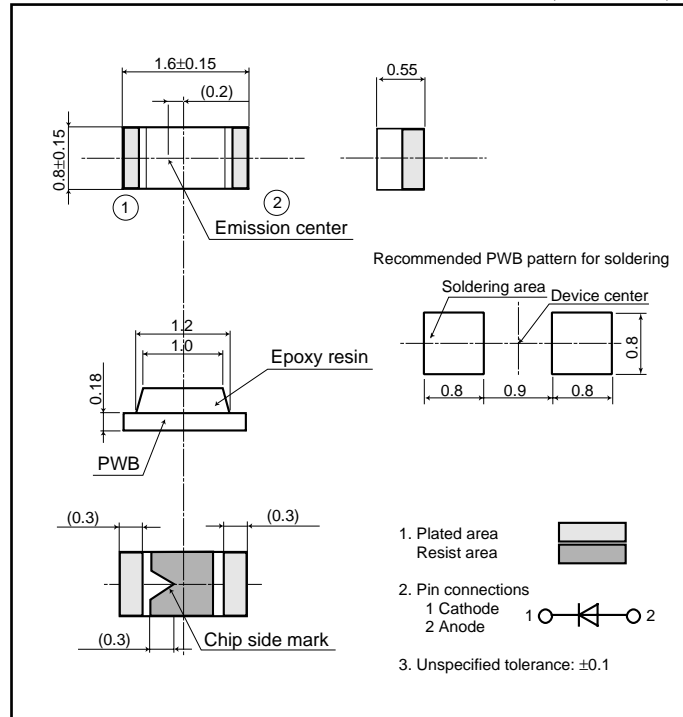
- (1) High-luminosity Blue chip LED
- (2) Wide viewing angle (2θ 1/2): 120°
- (3) Surface-mount, leadless chip LED device
- (4) Outline dimensions: $1.6 \times 0.8 \times 0.55$ t mm
- (5) Taped product (5 000 pcs/reel)

Applications

- (1) LCD backlight for cellular phone
- (2) LCD backlight for various portable equipment
- (3) Backlight for membrane switch

Outline Dimensions

(Unit : mm)



Absolute Maximum Ratings

($T_a=25^\circ\text{C}$)

Model No.	Emitting color	Material	Power dissipation P (mW)	Forward current I_F (mA)	Peak forward current I_{FM}^{*1} (mA)	Derating factor ($\text{mA}/^\circ\text{C}$)		Reverse voltage V_R (V)	Operating temperature T_{opr} ($^\circ\text{C}$)	Storage temperature T_{stg} ($^\circ\text{C}$)	Soldering temperature T_{sol}^{*2} ($^\circ\text{C}$)
						DC	Pulse				
GM1BC55250AC	Blue	GaNN	78	20	40	0.27	0.53	5	-20 to +80	-40 to +100	250

*1 Duty ratio=1/10, Pulse width=0.1ms

*2 For 3s or less at the temperature of hand soldering.

Electro-optical Characteristics

($I_F=10\text{mA}, T_a=25^\circ\text{C}$)

Lens type	Model No.	Forward voltage V_F (V)		Peak emission wavelength λ_p (nm) TYP	Dominant wavelength λ_d (nm) TYP	Luminous intensity I_v (mcd) TYP	Spectrum radiation bandwidth $\Delta\lambda$ (nm) TYP	Reverse current	
		TYP	MAX					I_R (μA) MAX	V_R (V)
Colorless transparency	GM1BC55250AC	3.2	3.9	470	472	35	26	100	4

(Notice)

- In the absence of confirmation by device specification sheets, SHARP takes no responsibility for any defects that may occur in equipment using any SHARP devices shown in catalogs, data books, etc. Contact SHARP in order to obtain the latest device specification sheets before using any SHARP device.
- Specifications are subject to change without notice for improvement.
(Internet)
- Data for Sharp's optoelectronic is provided on internet. (Address <http://sharp-world.com/ecg/>)

As of July 2002

Looking for pricing, stock, or lifecycle information?

Click below to explore more details on WIN SOURCE:

- ⊖ [View GM1BC55250AC](#) on WIN SOURCE
- ⊖ [Sharp Microelectronics](#) Information

Optimize Your Supply Chain with WIN SOURCE Solutions

- ✓ Global Sourcing Solution
- ✓ Obsolete Management
- ✓ Cost Control Management
- ✓ Shortage Management
- ✓ Alternative Solution
- ✓ Excess Inventory Management