



**THE DATASHEET OF
1932771-1**



THIS DRAWING IS UNPUBLISHED.

RELEASED FOR PUBLICATION

20

© COPYRIGHT 20

ALL RIGHTS RESERVED.

LOC

ES

DIST

P

LTR

A

RELEASE

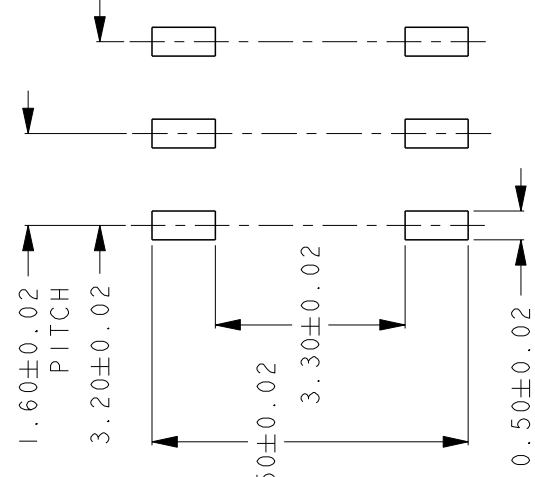
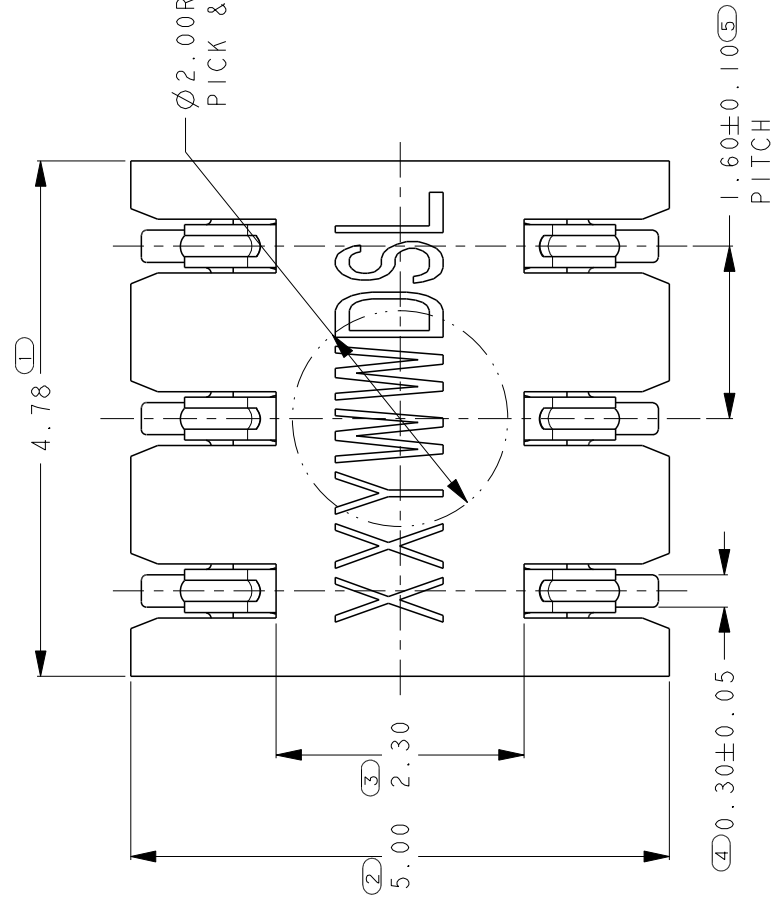
A1

ADD DIM. IN

A2

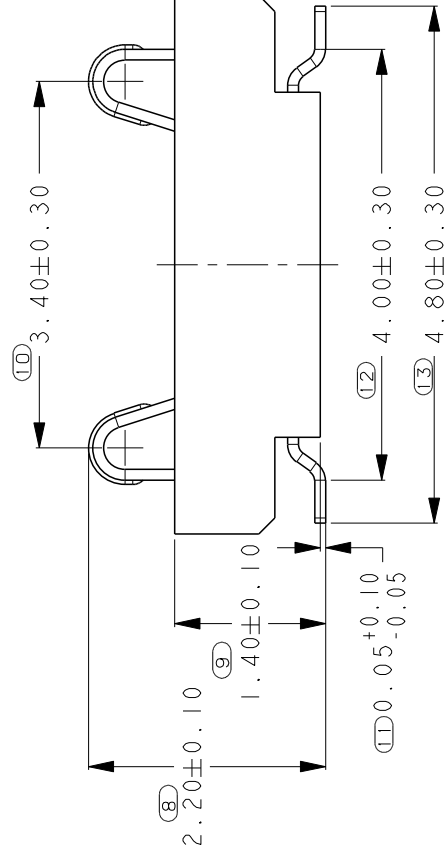
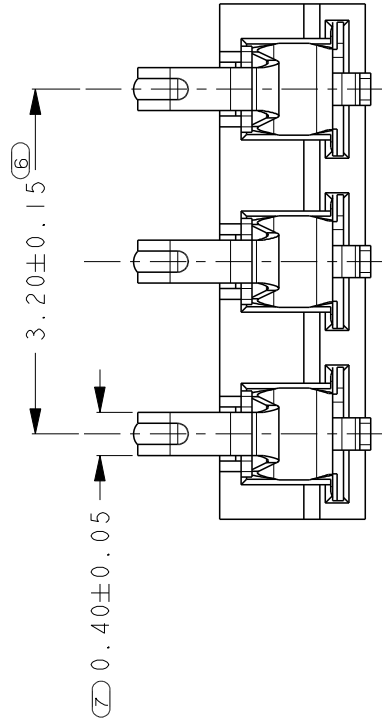
REVISE SPE

AS SHOWN: 1932771-1



SCALE 8:1
RECOMMEND PWB LAYOUT

SC
RECOMMEN

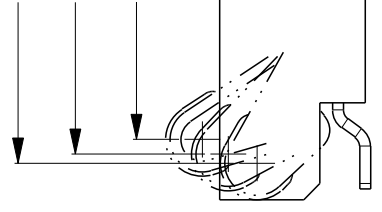


NOTES:

△ MATERIAL : COPPER ALLOY THICKNESS 0.10mm.
TERMINAL : HIGH TEMPERATURE THERMO PLASTIC
HOUSING : UL94V-0 BLACK

△ FINISH

TERMINAL : 0.10-0.2 um GOLD PLATING ON CONTACT AREA,
1.25 um MIN. NICKLE UNDER PLATING,
GOLD FLASH PLATING ON SOLDERING AREA.
3 COPLANARITY : 0.08 MAX. AMANG ALL SOLDER TAILS.
4 PACKAGING : TAPE & REEL.



RECOMME

THIS DRAWING IS A CONTROLLED DOCUMENT.

DIMENSIONS:

TOLERANCES UNLESS OTHERWISE SPECIFIED:

± 0.20

0-PLC ±

1-PLC ±

2-PLC ±

3-PLC ±

4-PLC ±

ANGLES ±5°

FINISH

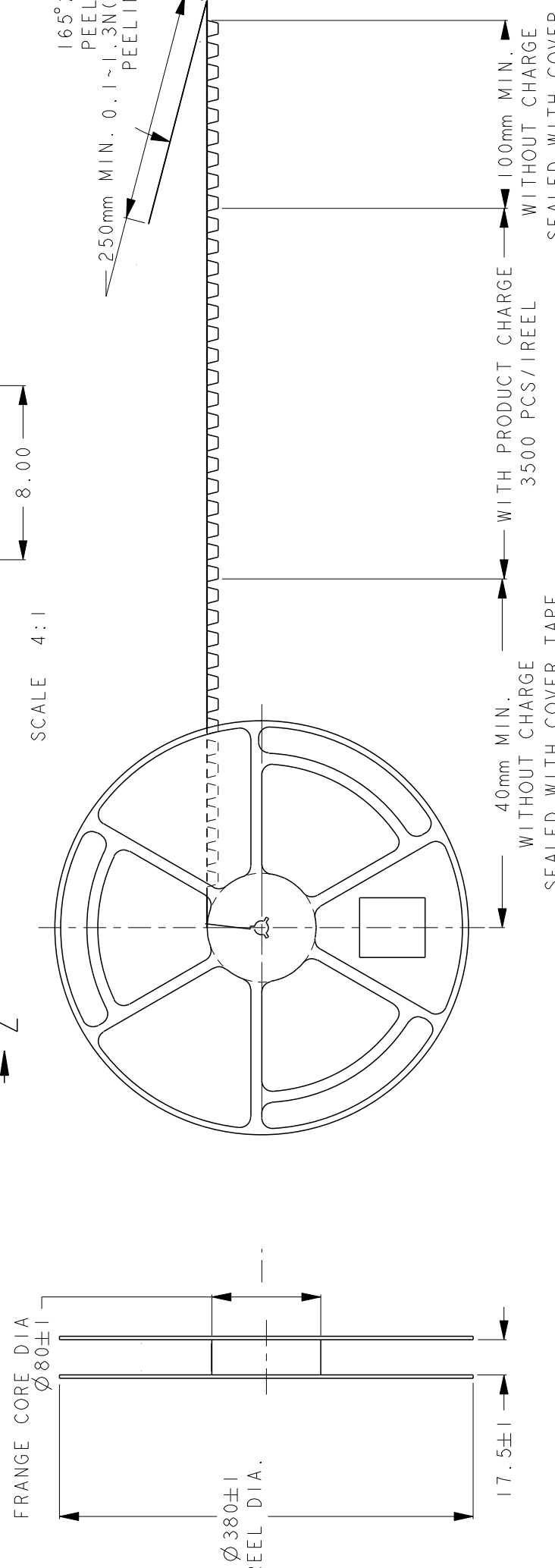
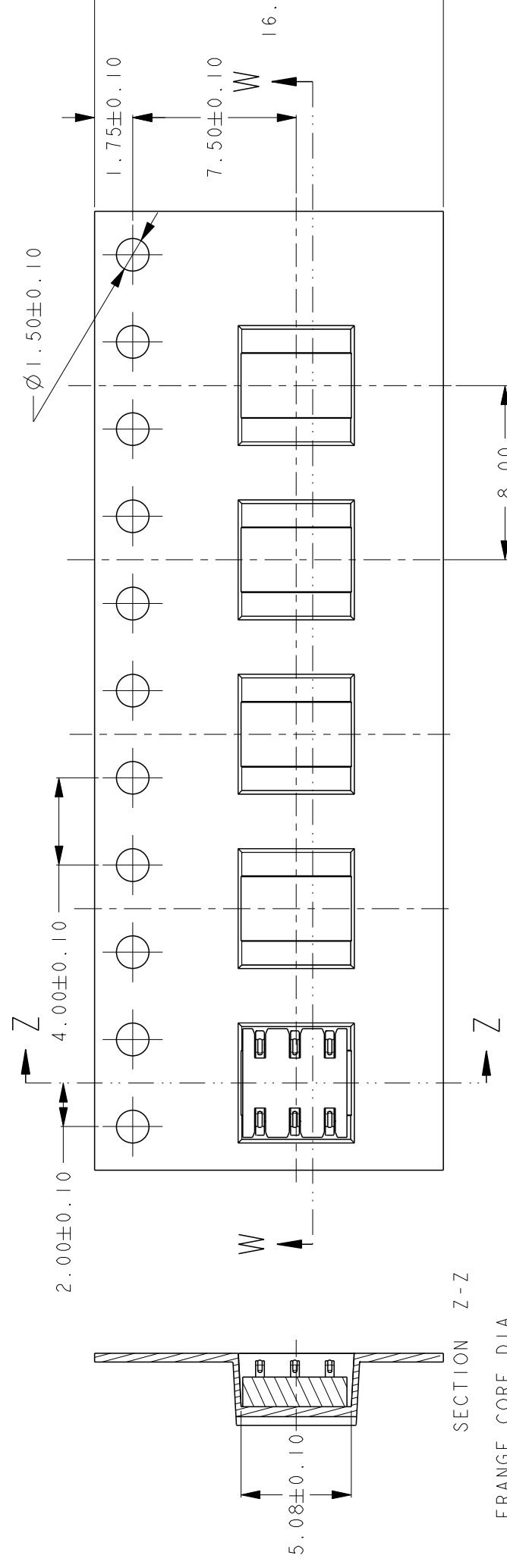
MATERIAL

△

△

DWN	SHI MING	22OCT2010
CHK	WENKE HE	22OCT2010
APVD	STEVEN YAO	22OCT2010
PRODUCT SPEC	108-115016-1	
APPLICATION SPEC		
WEIGHT	0.062g	

A	RELEASE
A1	ADD DIM. N
A2	REVISE SPE



THIS DRAWING IS A CONTROLLED DOCUMENT.

DWN	SHI MING	22OCT2010
CHK	WENKE HE	22OCT2010
APVD	STEVEN YAO	22OCT2010
PRODUCT SPEC	108-115016-1	
APPLICATION SPEC		
WEIGHT		

TOLERANCES UNLESS OTHERWISE SPECIFIED:
±0.20

0-PLC ±
1-PLC ±
2-PLC ±
3-PLC ±
4-PLC ±
ANGLES ±5°
FINISH

- NOTES:
- MATERIAL: P.S CLEAR, 0.4MM THICKNESS.
 - QUANTITY PER REEL: 3500 PIECES.

Looking for pricing, stock, or lifecycle information?

Click below to explore more details on WIN SOURCE:

[View 1932771-1 on WIN SOURCE](#)

[TE Connectivity Information](#)

Optimize Your Supply Chain with WIN SOURCE Solutions

- ✓ Global Sourcing Solution
- ✓ Obsolete Management
- ✓ Cost Control Management
- ✓ Shortage Management
- ✓ Alternative Solution
- ✓ Excess Inventory Management