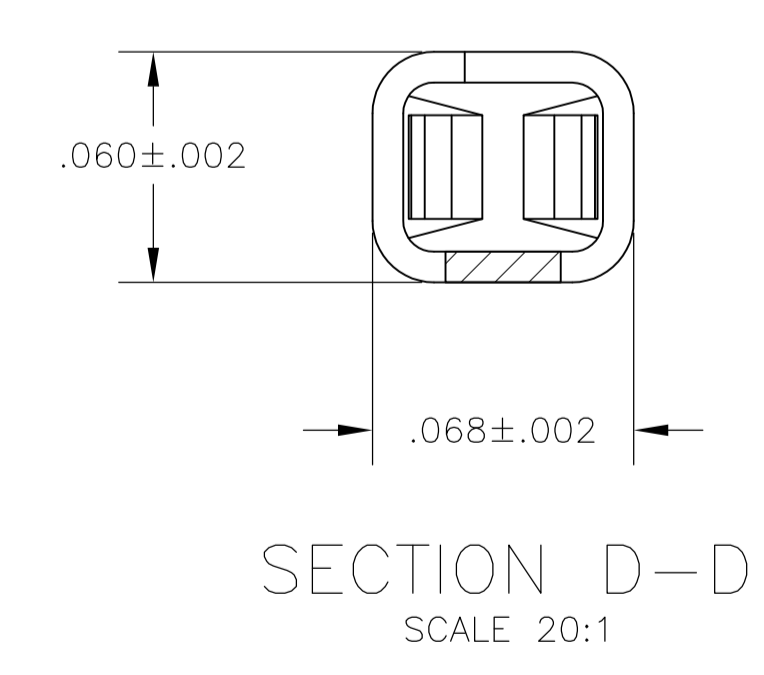
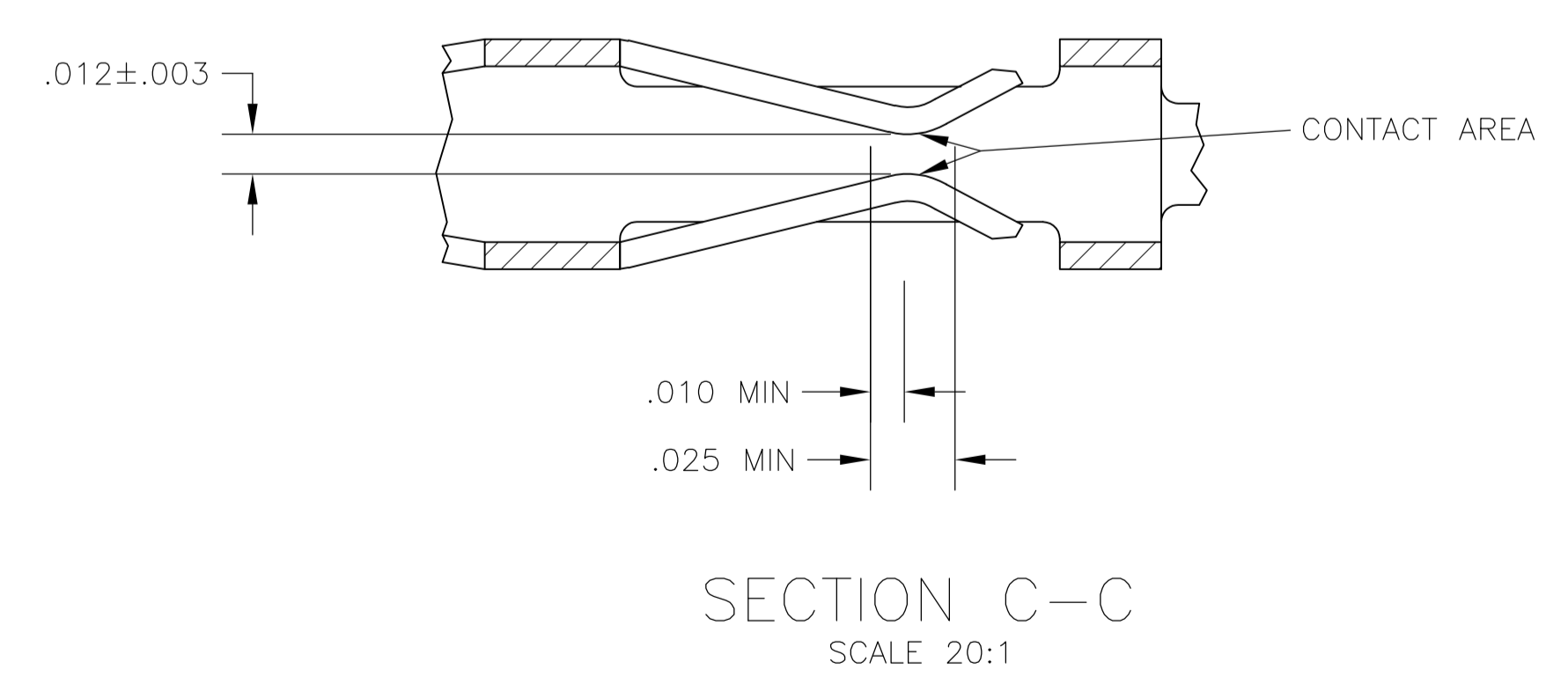
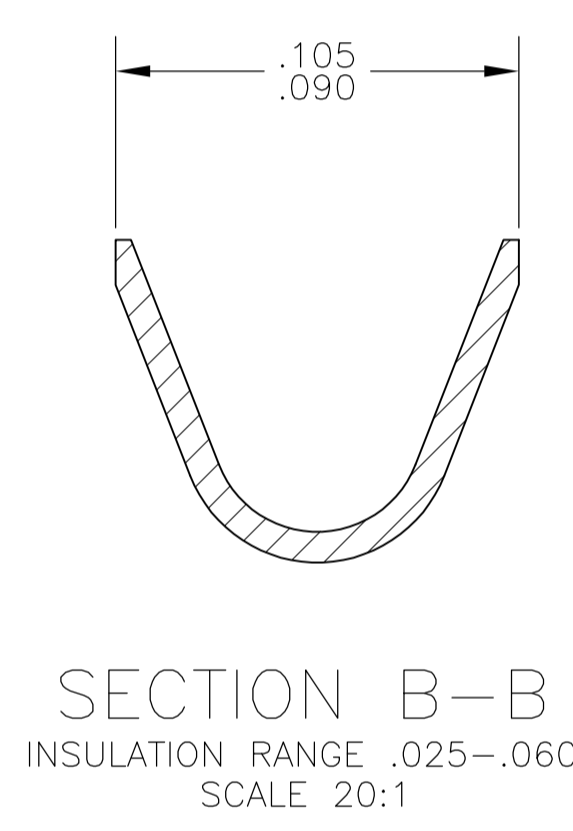
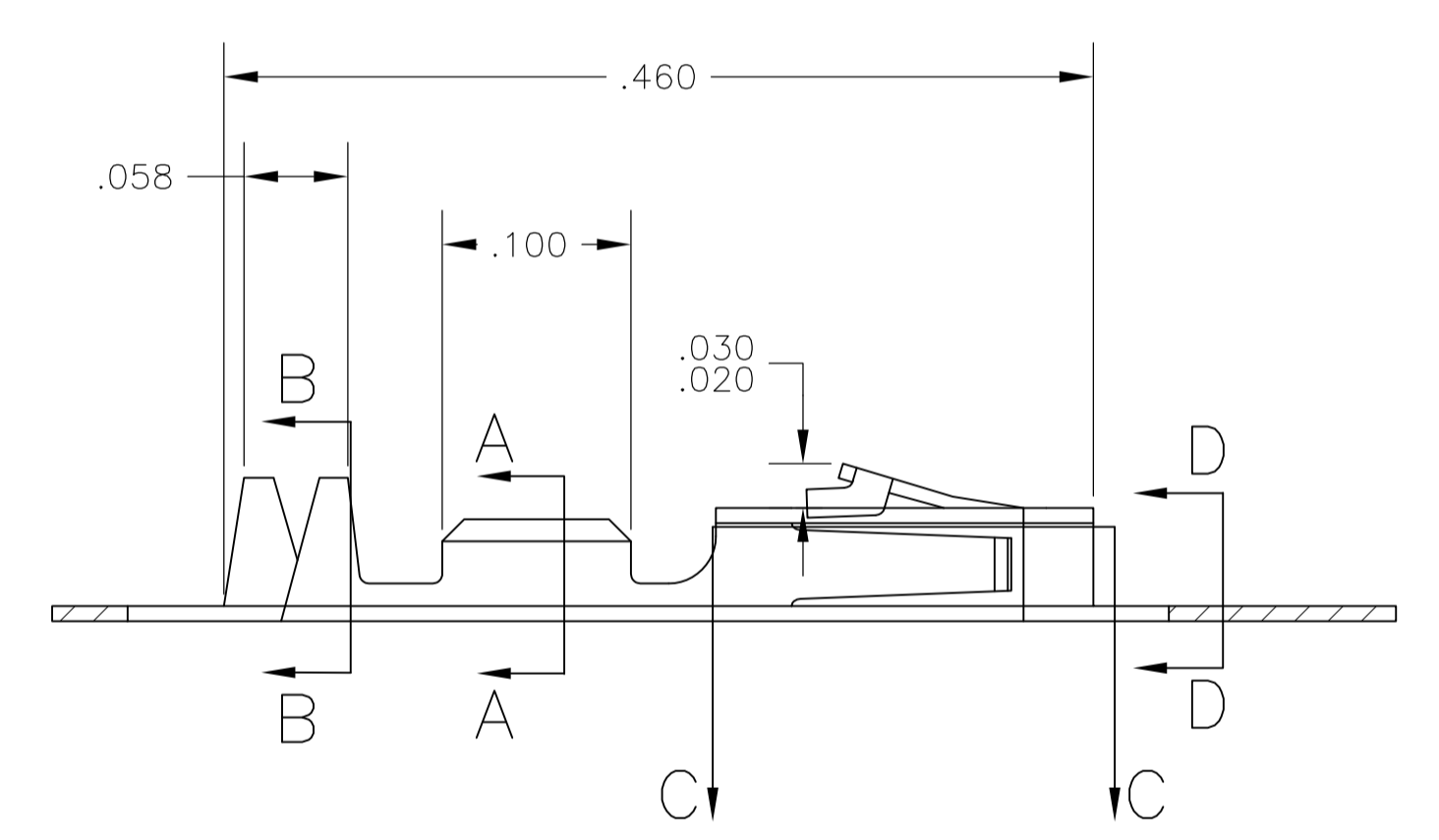


- 1 .000100 MIN BRIGHT TIN-LEAD OVER .000050 MIN NICKEL ON ENTIRE CONTACT
- 2 .000050 MIN NICKEL ON ENTIRE CONTACT; .000015 MIN GOLD ON CONTACT AREA; .000050 MIN BRIGHT TIN-LEAD ON AREA M.
- 3 .000050 MIN NICKEL ON ENTIRE CONTACT; .000030 MIN GOLD ON CONTACT AREA; .000050 MIN BRIGHT TIN-LEAD ON AREA M.
- 4 LOOSE PIECE CUT-OFF DIMENSION.
- 5 .000015 MIN GOLD ON CONTACT AREA, .000050 MIN TIN ON AREA M, ALL OVER .000050 MIN NICKEL ON ENTIRE CONTACT.
- 6 .000030 MIN GOLD ON CONTACT AREA, .000050 MIN TIN ON AREA M, ALL OVER .000050 MIN NICKEL ON ENTIRE CONTACT.
- 8 .000100 MIN TIN OVER .000050 MIN NICKEL ON ENTIRE CONTACT



	LOOSE PIECE STRIP	8 REF	5-104481-6
	LOOSE PIECE STRIP	6 REF	5-104481-2
	LOOSE PIECE STRIP	6 REF	1-104481-3
	LOOSE PIECE STRIP	5 REF	1-104481-2
	LOOSE PIECE STRIP	6 REF	1-104481-1
	LOOSE PIECE STRIP	5 REF	1-104481-0
OBsolete	LOOSE PIECE		104481-9
	LOOSE PIECE	3 REF	104481-8
	LOOSE PIECE	2 REF	104481-7
	LOOSE PIECE	1 REF	104481-6
OBsolete	STRIP		104481-5
	STRIP	3	104481-4
	STRIP	2	104481-3
	STRIP	1	104481-2
	REMARKS	FINISH	PART NO


THIS DRAWING IS A CONTROLLED DOCUMENT.

DIMENSIONS: INCHES	TOLERANCES UNLESS OTHERWISE SPECIFIED:	DIN C. OBERMAN 5-10-89	APVD K. HELM 5-12-89	NAME	CONTACT, CRIMP SNAP-IN AMPMODU SHORT POINT, 28-32 AWG
0 PLC ± -	1 PLC ± -	2 PLC ± -	3 PLC ± .005	4 PLC ± -	ANGLES ± -
MATERIAL PHOSPHOR BRONZE	FINISH SEE TABLE	WEIGHT	SIZE 114-25038	SCALE 10:1	SHEET 1 OF 1
CUSTOMER DRAWING		DRAWING NO 00779		PART NO 104481	

STE TE Connectivity

Looking for pricing, stock, or lifecycle information?

Click below to explore more details on WIN SOURCE:

 [View 104481-4](#) on WIN SOURCE

 [TE Connectivity](#) Information

Optimize Your Supply Chain with WIN SOURCE Solutions

-  Global Sourcing Solution
-  Obsolete Management
-  Cost Control Management
-  Shortage Management
-  Alternative Solution
-  Excess Inventory Management