



**THE DATASHEET OF
WP25D-P010VA1-R8000**



NEW


0.35mm Pitch, Stacking Type Board-to-Board (FPC) Connector CONNECTOR

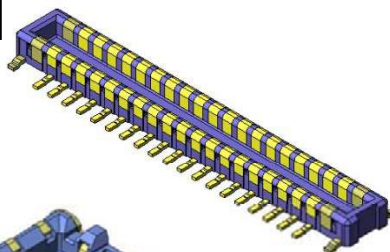
WP25D Series

MB-0289-2

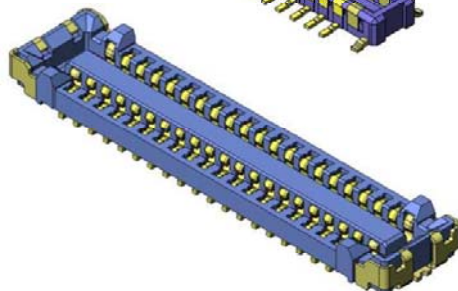
June 2015

RoHS Compliant

Plug



Receptacle



Outline

The WP25D Series is a 0.35mm pitch spacing low-profile stacking type board-to-board (FPC) connector with special hold downs that can be used as power supply terminals. It is ideal for high-density mounting in slim and compact information communication devices like mobile phones, and smartphones.

The WP25D Series saves board space and enhances design flexibility by equipping high-current terminals that help to minimize the number of terminals typically required in standard connectors.

Features

- 0.35mm pitch, 2 rows, 0.7mm stacking height.
- Two terminals for power supply compatible with 3.0A each.
- 2-point contact design to resist twisting stress.
- Improved workability for customers with a clear click feeling.
- Contact structure ensures high wear-resistance and high contact reliability.
- Pb-free. (Ni barrier on contact prevents solder wicking.)

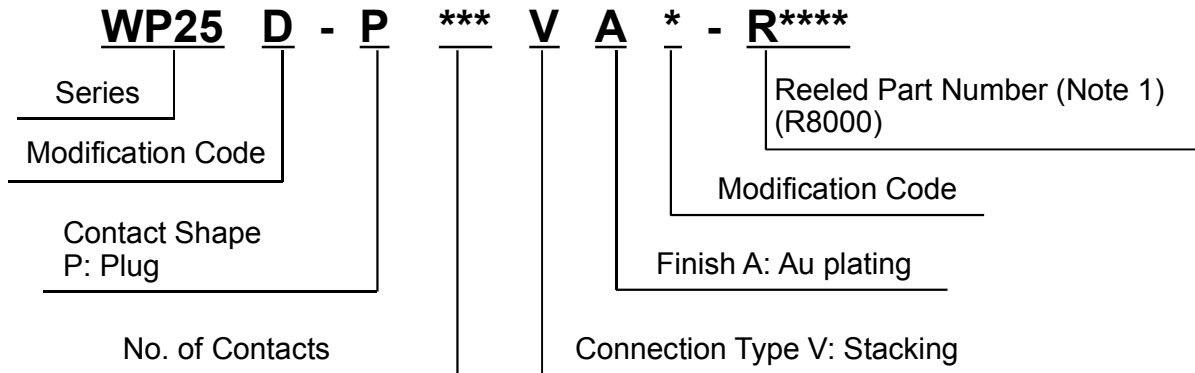
General Specifications

- | | |
|------------------------------------------------------|-------------------------------------------------------------------------------------------|
| ■ No. of Contacts:
10, 28, 38 pos. | ■ Rated Current:
(signal) AC, DC 0.3A per terminal
(power) AC, DC 3.0A per terminal |
| ■ Pitch: 0.35mm, 2 rows | ■ Rated Voltage: AC, DC 50V |
| ■ Operating Temperature:
-40 Deg. C to +85 Deg. C | ■ Insulation Resistance: 100M Ω min. (initial) |
| ■ Contact Resistance:
70m Ω max (initial) | ■ Dielectric Withstanding Voltage:
AC250Vr.m.s for 1 minute |
| ■ Life Time: 30 mating cycles | ■ Total Insertion Force:
1.5N x (n+4) max. (n: No. of pos.) |
| | ■ Total Extraction Force:
0.15N x (n+4) min. (n: No. of pos.) |

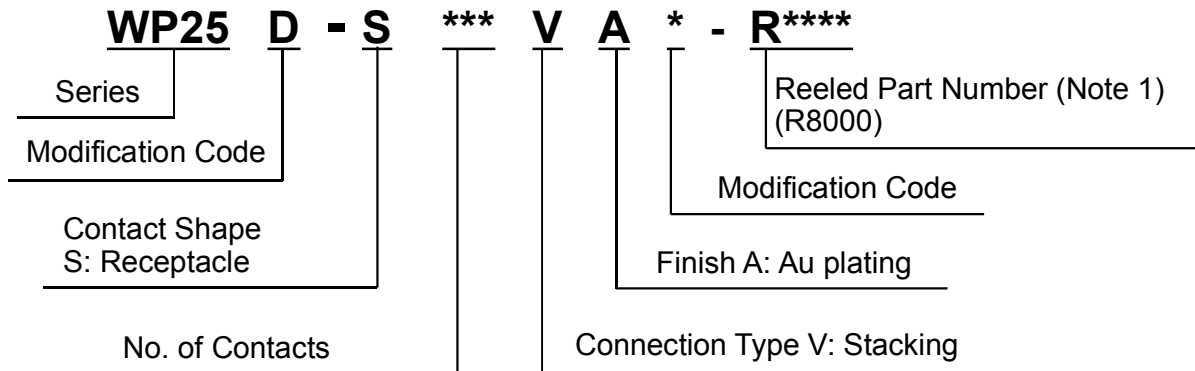
Components and Materials

Component	Material
Contact for Signal	Copper alloy
Contact for Power Supply (Plug) and Hold-down	Copper alloy
Contact for Power Supply (Receptacle) and Hold-down	Copper alloy
Insulator	Heat-resistant Plastic

Ordering Information (Plug)



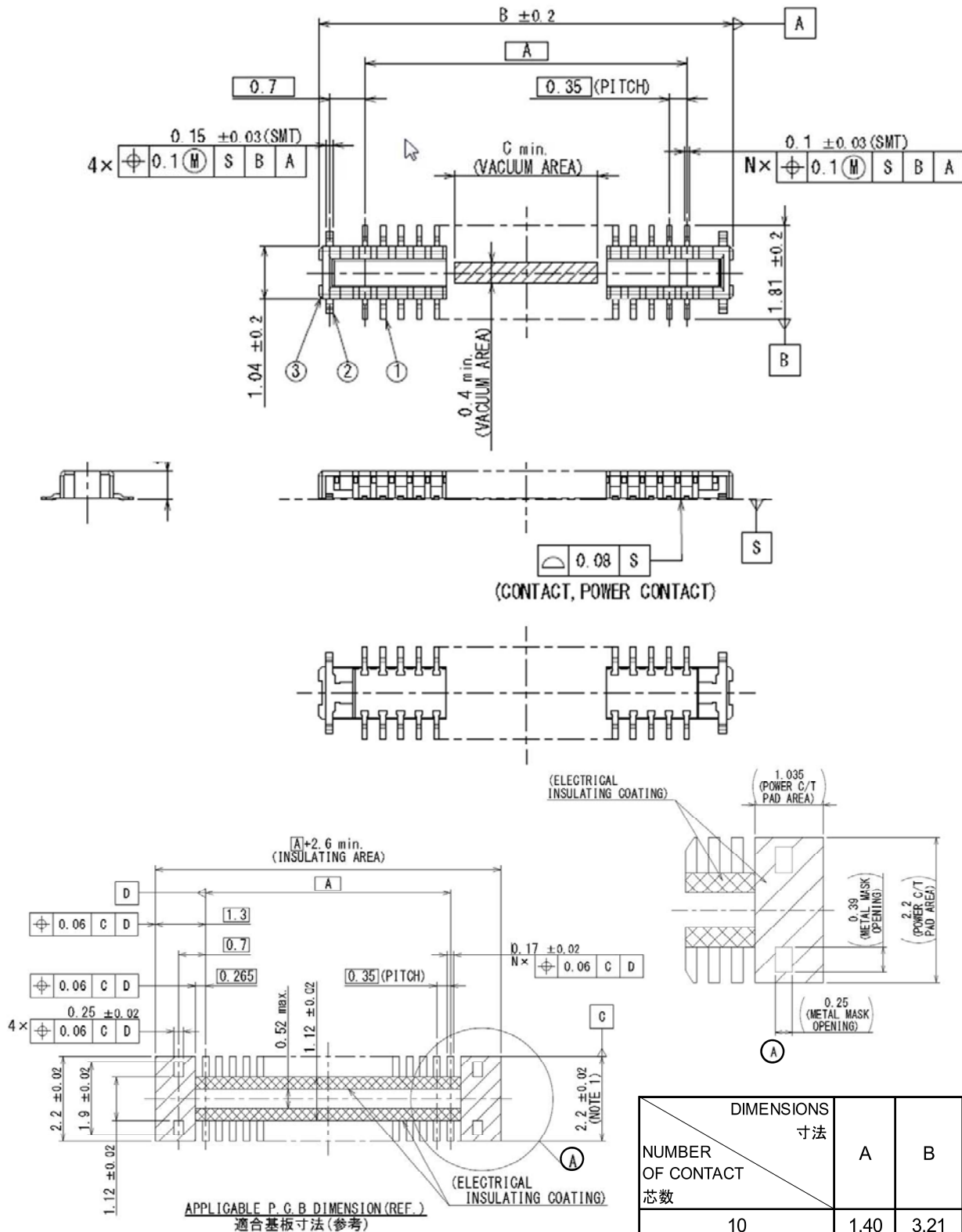
Ordering Information (Receptacle)



Note 1) An embossed tape reel contains 8,000 pieces.
 Please contact us for details on embossed tape specifications.

Part Number	WP25D-P***VA1
SJ Drawing	SJ114899

WP25D Plug

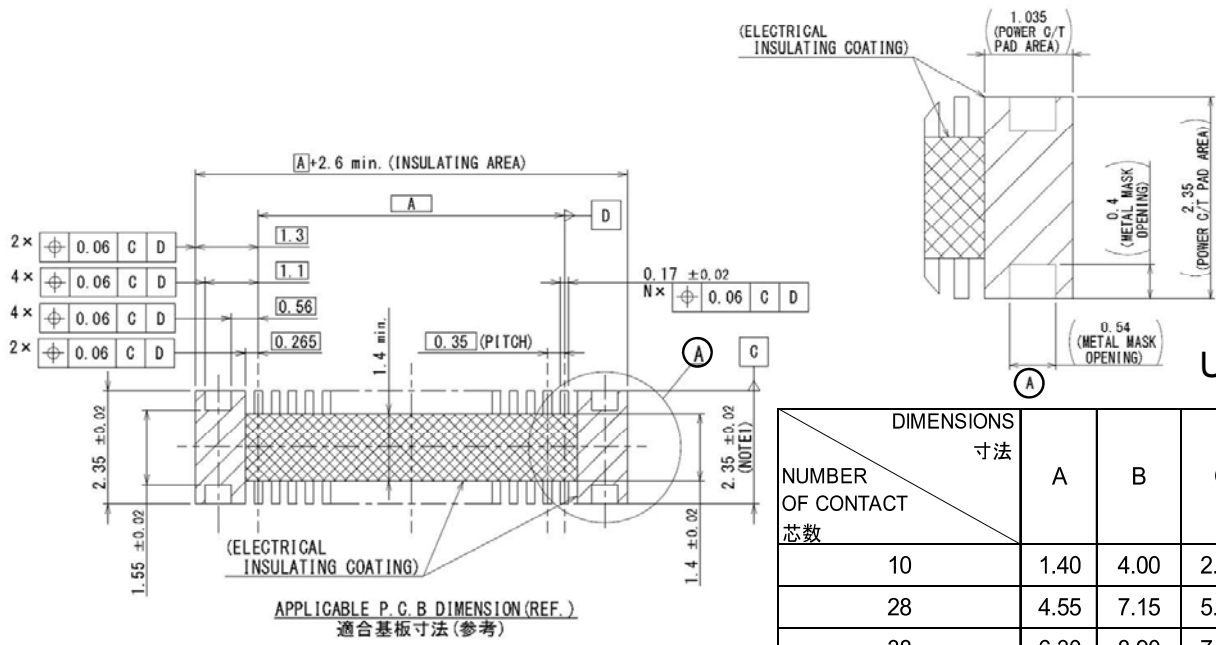
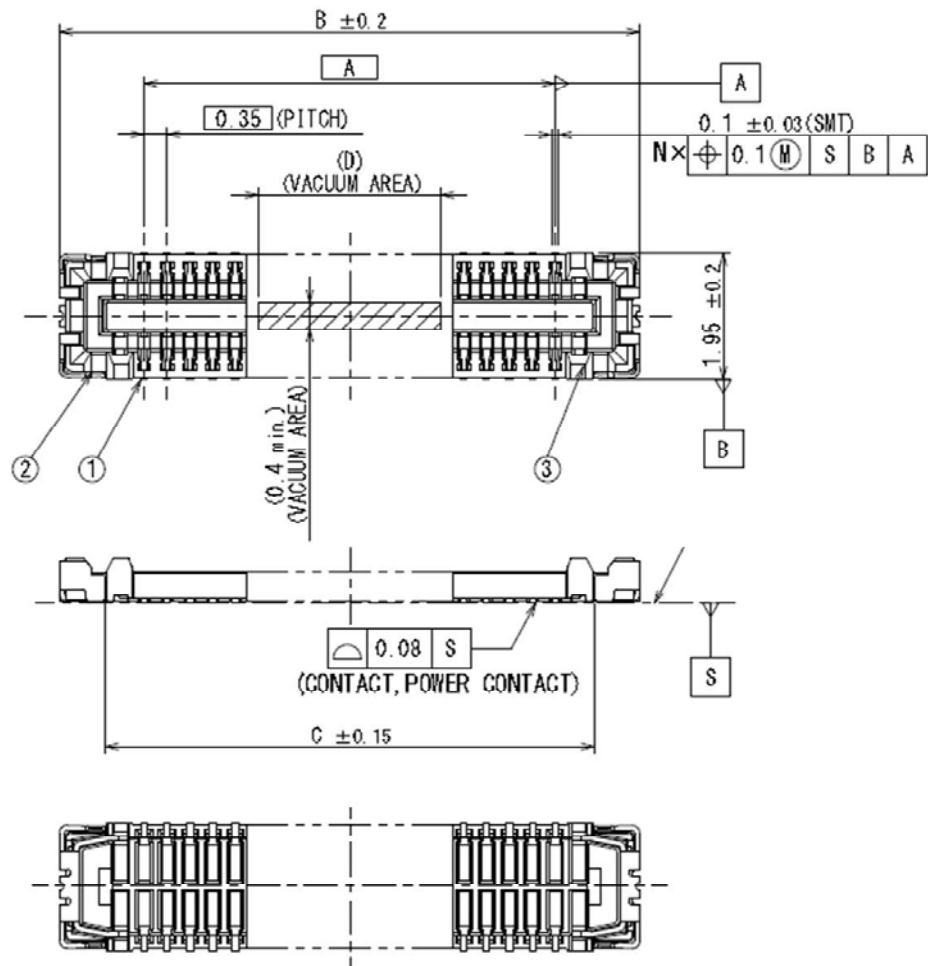


Note 1) Dimension 2.8 ± 0.05 is recommended in case repair is needed.

DIMENSIONS 寸法	NUMBER OF CONTACT 芯数		
	A	B	C
10	1.40	3.21	2.0
28	4.55	6.36	2.0
38	6.30	8.11	5.0

Part Number	WP25D-S***VA1
SJ Drawing	SJ114901

WP25D Receptacle



Unit: mm

DIMENSIONS 寸法	DIMENSIONS			
	A	B	C	D
NUMBER OF CONTACT 芯数				
10	1.40	4.00	2.60	2.0
28	4.55	7.15	5.75	2.0
38	6.30	8.90	7.50	5.0

Note 1) Dimension 2.95 ± 0.05 is recommended in case repair is needed.

Product Drawings and Specifications

Series	WP25D
SJ Drawing (Plug)	Individual Product: SJ114899 Reeled Product: SJ114900
SJ Drawing (Receptacle)	Individual Product: SJ114901 Reeled Product: SJ114902
Specifications	JACS-11023
Handling Instructions	JAHL-11023
Summary Report	SR-C-1464

Notice:

1. The values specified in this brochure are only for reference. The products and their specifications are subject to change without notice. Contact our sales staff for further information before considering or ordering any of our products. For purchase, a product specification must be agreed upon.
2. Users are requested to provide protection circuits and redundancy circuits to ensure safety of the equipment, and sufficiently review the suitability of JAE's products to the equipment.
3. The products presented in this brochure are designed for the uses recommended below. We strongly suggest you contact our sales staff when considering use of any of the products in any other way than the recommended applications or for a specific use that requires an extremely high reliability.
 - (1) Applications that require consultation:
 - (i) Please contact us if you are considering use involving a quality assurance program that you specify or that is peculiar to the industry, such as:
Automotive electrical components, train control, telecommunications devices (mainline), traffic light control, electric power, combustion control, fire prevention or security systems, disaster prevention equipment, etc.
 - (ii) We may separately give you our support with a quality assurance program that you specify, when you think of a use such as :
Aviation or space equipment, submarine repeaters, nuclear power control systems, medical equipment for life support, etc.
 - (2) Recommended applications include:
Computers, office appliances, telecommunications devices (terminals, mobile units), measuring equipment, audiovisual equipment, home electric appliances, factory automation equipment, etc

Japan Aviation Electronics Industry, Limited

Product Marketing Division
Aobadai Building, 3-1-19, Aobadai, Meguro-ku, Tokyo 153-8539
Phone: +81-3-3780-2882 FAX: +81-3-3780-2946

* The specifications in this brochure are subject to change without notice. Please contact JAE for information.

Looking for pricing, stock, or lifecycle information?

Click below to explore more details on WIN SOURCE:

 [View WP25D-P010VA1-R8000](#) on WIN SOURCE

 [JAE Electronics](#) Information

Optimize Your Supply Chain with WIN SOURCE Solutions

-  Global Sourcing Solution
-  Obsolete Management
-  Cost Control Management
-  Shortage Management
-  Alternative Solution
-  Excess Inventory Management