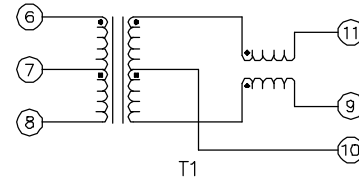
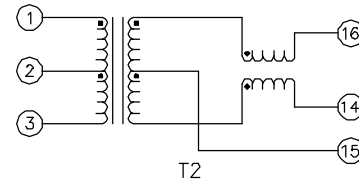




**THE DATASHEET OF
ST6122T**



Electrical

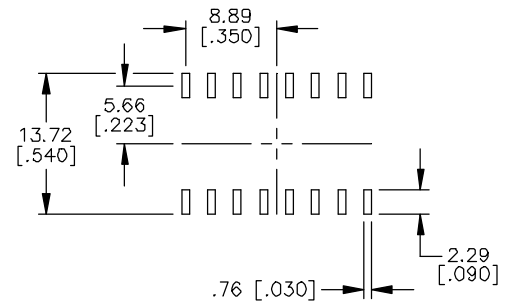
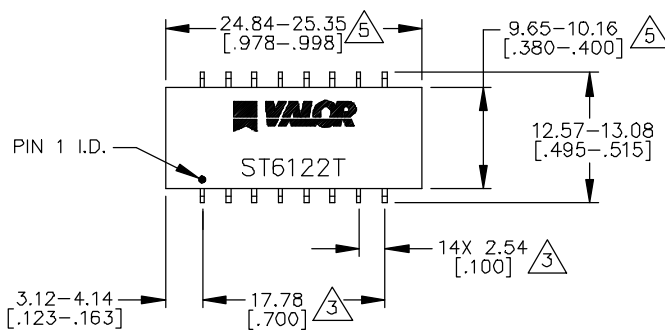


SCHMATIC

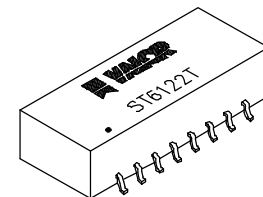
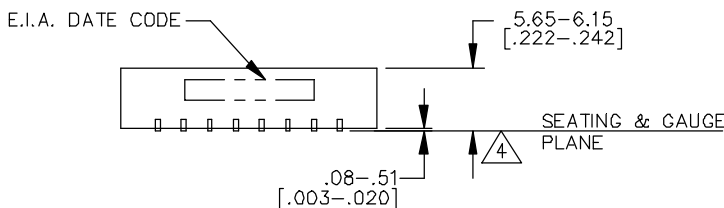
ELECTRICAL SPECIFICATIONS @ 25°C

URNS RATIO (1-2-3 TO 15-16-14)	: 1.4CT:1CT
URNS RATIO (6-7-8 TO 11-10-9)	: 1CT:1CT
OCL (1-3) @ 0.1Vrms, 100KHz	: 600μH MIN @ 100KHz, 100mV
OCL (6-8) @ 0.1Vrms, 100KHz	: 350μH MIN @ 100KHz, 100mV, 8mADC
HIPOT (1-3-2 TO 16-15-14)	: 1500VAC 1 MINUTE
HIPOT (6-7-8 TO 11-10-9)	: 1500VAC 1 MINUTE
LL (1-3 SHORT 16-14)	: .600μH MAX @ 1MHz, 1V
LL (6-8 SHORT 11-9)	: .40μH MAX @ 1MHz, 1V
CWW (1-3 TO 16-14)	: 18pF MAX @ 140KHz, 1V
CWW (6-8 TO 11-9)	: 17pF MAX @ 140KHz, 1V
DCR (1-3)	: .700Ω MAX
DCR (6-8)	: .500Ω MAX
DCR (16-14) = (11-9)	: 1.10Ω MAX

Mechanical



RECOMMENDED PAD LAYOUT



Looking for pricing, stock, or lifecycle information?

Click below to explore more details on WIN SOURCE:

 [View ST6122T on WIN SOURCE](#)

 [Pulse Information](#)

Optimize Your Supply Chain with WIN SOURCE Solutions

-  Global Sourcing Solution
-  Obsolete Management
-  Cost Control Management
-  Shortage Management
-  Alternative Solution
-  Excess Inventory Management