



# THE DATASHEET OF AOZ8204KI



## General Description

The AOZ8204 is a transient voltage suppressor diode array designed to protect data lines from high transient conditions and ESD. This state-of-the-art device utilizes AOS leading edge Trench Vertical Structure [TVS]<sup>2</sup>™ technology for superior clamping performance.

This device incorporates four TVS diodes in a single package. Due to the flexibility of the design, the package can be configured as a two channel bidirectional TVS array. During transient conditions, the TVS diodes direct the transient to ground. They may be used to meet the ESD immunity requirements of IEC 61000-4-2, Level 4 (±15kV air, ±8kV contact discharge).

The AOZ8204 comes in an RoHS compliant SC-89 package and is rated over a -40°C to +85°C ambient temperature range.

The very small 1.7 x 1.7 x 0.6mm SC-89 package makes it ideal for applications where PCB space is a premium. The small size and high ESD protection makes it ideal for protecting high speed video and data communication interfaces.

## Features

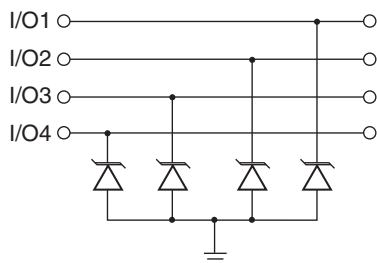
- ESD protection for high-speed data lines:
  - Exceeds: IEC 61000-4-2 (ESD) ±30kV (air), ±30kV (contact)
  - Human Body Model (HBM) ±30kV
- Trench Vertical Structure [TVS]<sup>2</sup>™ based technology used to achieve excellent ESD clamping performance
- Small package saves board space
- Low insertion loss
- Protects four unidirectional or two bidirectional I/O lines
- Low clamping voltage
- Low operating voltage: 5.0V

## Applications

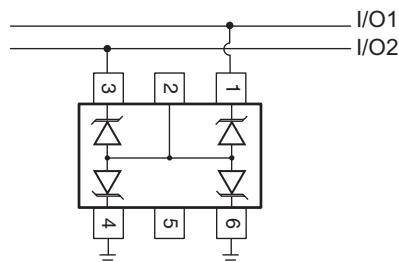
- Portable handheld devices
- Keypads, data lines
- Notebook computers
- Digital Cameras
- Portable GPS
- MP3 players



## Typical Application

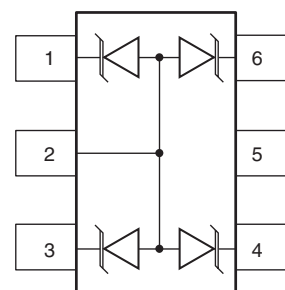


Unidirection Protection of Four Lines



Bidirection Protection of Two Lines

## Pin Configuration



Top View

## Ordering Information

Part Number	Ambient Temperature Range	Package	Environmental
AOZ8204KI	-40°C to +85°C	SC-89	RoHS Compliant



All AOS products are offered in packages with Pb-free plating and compliant to RoHS standards. Please visit [www.aosmd.com/web/quality/rohs\\_compliant.jsp](http://www.aosmd.com/web/quality/rohs_compliant.jsp) for additional information.

## Absolute Maximum Ratings

Exceeding the Absolute Maximum ratings may damage the device.

Parameter	Rating
VP – VN	5V
Peak Pulse Current ( $I_{PP}$ ), $t_P = 8/20\mu s$	5A
Storage Temperature ( $T_S$ )	-65°C to +150°C
ESD Rating per IEC61000-4-2, Contact <sup>(1)</sup>	±30kV
ESD Rating per IEC61000-4-2, Air <sup>(1)</sup>	±30kV
ESD Rating per Human Body Model <sup>(2)</sup>	±30kV

### Notes:

- IEC 61000-4-2 discharge with  $C_{Discharge} = 150pF$ ,  $R_{Discharge} = 330\Omega$ .
- Human Body Discharge per MIL-STD-883, Method 3015  $C_{Discharge} = 100pF$ ,  $R_{Discharge} = 1.5k\Omega$ .

## Maximum Operating Ratings

Parameter	Rating
Junction Temperature ( $T_J$ )	-40°C to +125°C

## Electrical Characteristics

$T_A = 25^\circ C$  unless otherwise specified. Specifications in **BOLD** indicate a temperature range of -40°C to +85°C.

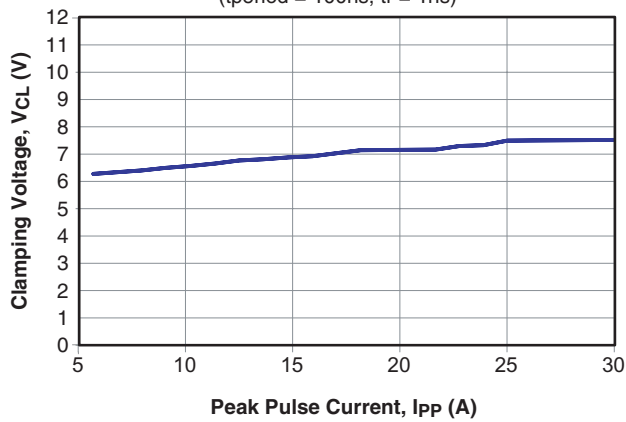
Symbol	Parameter	Conditions	Min.	Typ.	Max.	Units
$V_{RWM}$	Reverse Working Voltage	Between pin 5 and 2 <sup>(3)</sup>			5.0	V
$V_{BR}$	Reverse Breakdown Voltage	$I_T = 1mA$ , between pins 5 and 2 <sup>(4)</sup>	<b>8.0</b>			V
$I_R$	Reverse Leakage Current	$V_{RWM} = 5V$ , between pins 5 and 2			<b>0.1</b>	$\mu A$
$V_F$	Diode Forward Voltage	$I_F = 15mA$	<b>0.70</b>	<b>0.85</b>	<b>1</b>	V
$V_{CL}$	Channel Clamp Voltage Positive Transients	$I_{PP} = 15A$ , $t_P = 100ns$ , any I/O pin to Ground			7.0	V
	Negative Transient				-6.75	V
$V_{CL}$	Channel Clamp Voltage Positive Transients	$I_{PP} = 25A$ , $t_P = 100ns$ , any I/O pin to Ground			7.50	V
	Negative Transient				-10.25	V
$C_j$	Junction Capacitance	$V_R = 0V$ , $f = 1MHz$ , any I/O pin to Ground		15	17	pF

### Notes:

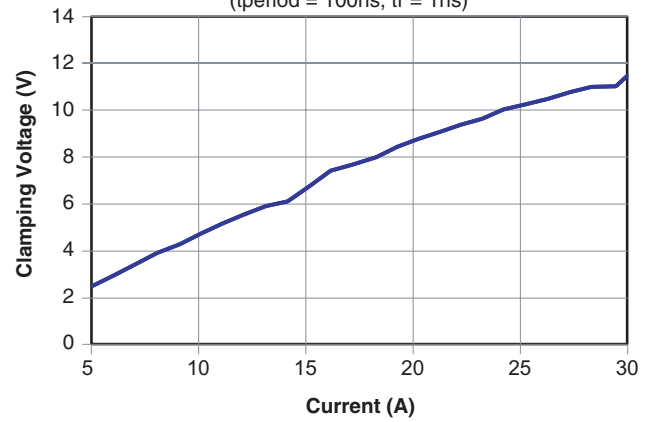
- The working peak reverse voltage,  $V_{RWM}$ , should be equal to or greater than the DC or continuous peak operating voltage level.
- $V_{BR}$  is measured at the pulse test current  $I_T$ .

## Typical Performance Characteristics

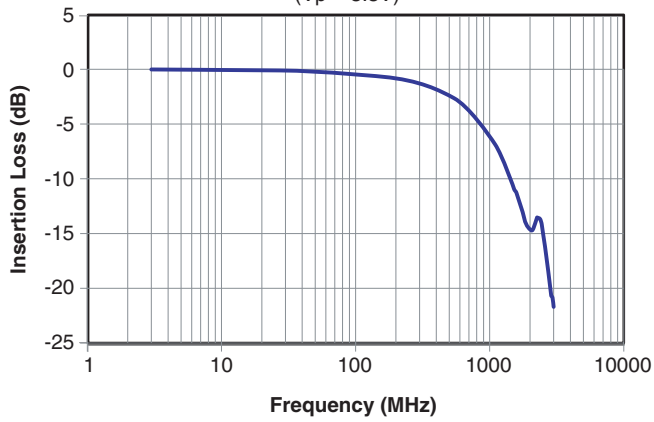
**Clamping Voltage vs. Peak Pulse Current**  
(tperiod = 100ns, tr = 1ns)



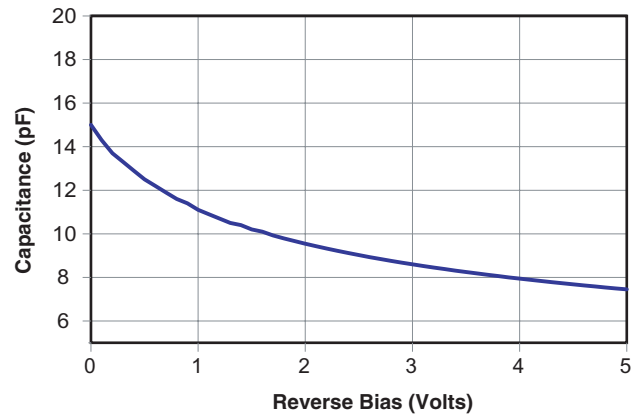
**Clamping Voltage vs. Current**  
(tperiod = 100ns, tr = 1ns)



**I/O – Gnd Insertion Loss (S21) vs. Frequency**  
(V<sub>p</sub> = 3.3V)



**Capacitance vs. Reverse Bias**

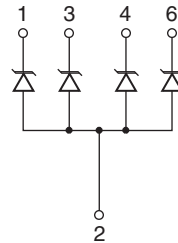


## Applications Information

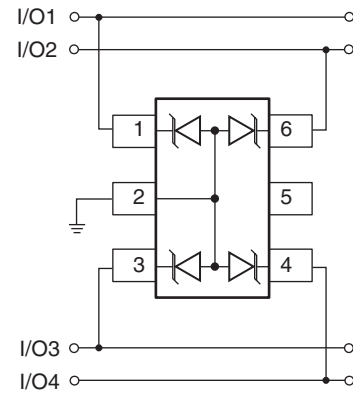
### Device Connection for Protection of Four Data Lines

These devices are designed to protect up to four unidirectional data lines. The device is connected as follows.

- Unidirectional protection of four I/O lines is achieved by connecting pins 1, 3, 4, and 6 to the data lines. Connect pin 2 to ground. The ground connection should be made directly to the ground plane for best results. The path length is kept as short as possible to reduce the effects of parasitic inductance in the board traces.



Circuit Diagram

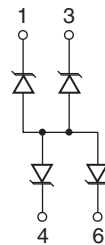


Protection of Four Unidirectional Lines

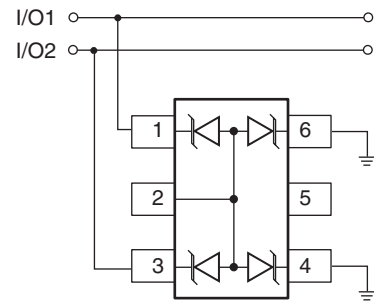
### Device Connection for Protection of Two Bidirectional Data Lines

These devices are designed to protect up to two bidirectional data lines. The device is connected as follows.

- Bidirectional protection of two I/O lines is achieved by connecting pins 1 and 3 to the data lines. Connect pin 4 and 6 to ground. The ground connection should be made directly to the ground plane for best results. The path length is kept as short as possible to reduce the effects of parasitic inductance in the board traces.



Circuit Diagram



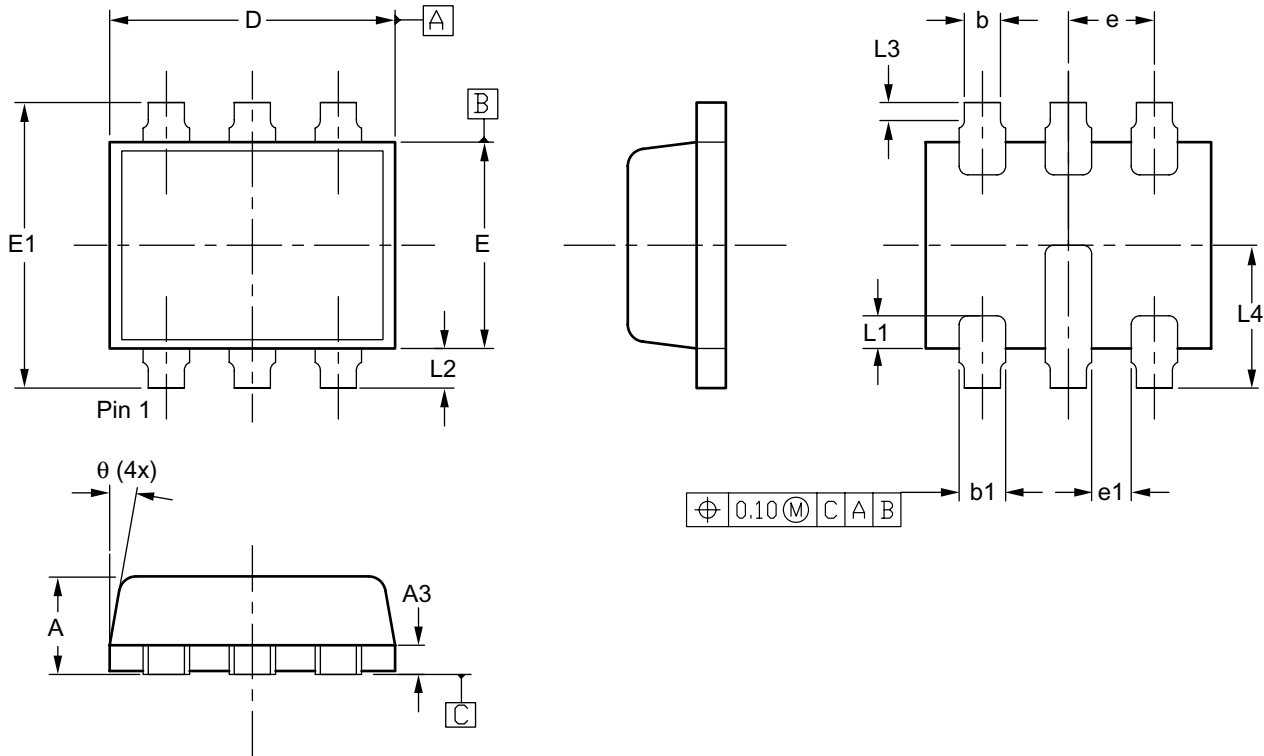
Protection of Two Bidirectional Lines

### Circuit Board Layout Recommendations for Suppression of ESD

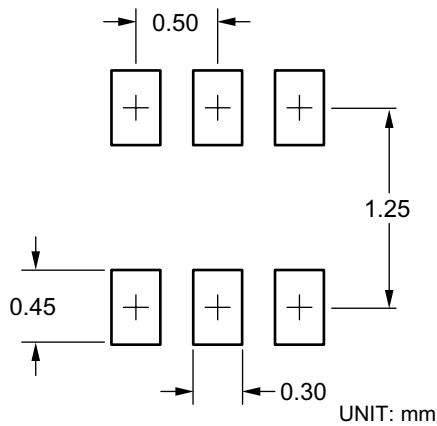
Good circuit board layout is critical for the suppression of ESD induced transients. The following guidelines are recommended:

- Place the TVS near the input terminals or connectors to restrict transient coupling.
- Minimize the path length between the TVS and the protected line.
- Minimize all conductive loops including power and ground loops.
- The ESD transient return path to ground should be kept as short as possible.
- Never run critical signals near board edges.
- Use ground planes whenever possible.

Package Dimensions, SC-89



RECOMMENDED LAND PATTERN



Dimensions in millimeters

Symbols	Min.	Nom.	Max.
A	0.53	0.57	0.60
A3	0.13	0.17	0.18
b	0.17	—	0.25
D	1.50	1.66	1.70
E1	1.50	1.65	1.70
e	0.50 BSC		
E	1.10	1.20	1.30
L1	0.11	0.19	0.26
L2	0.10	0.23	0.30
L3	0.05	0.10	—
L4	0.83 REF		
b1	—	0.27	0.34
e1	0.20	—	—
θ	8°	10°	12°

Dimensions in inches

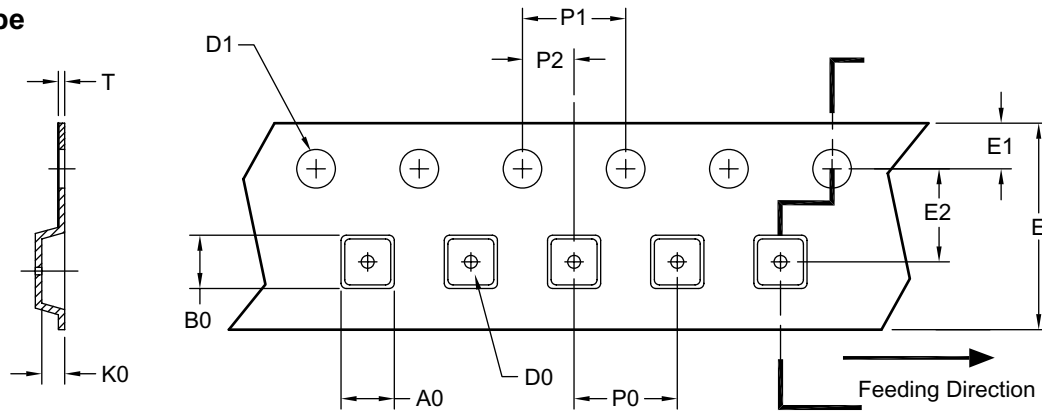
Symbols	Min.	Nom.	Max.
A	0.021	0.022	0.024
A3	0.005	0.007	0.007
b	0.007	—	0.010
D	0.060	0.065	0.067
E1	0.060	0.065	0.067
e	0.020 BSC		
E	0.043	0.047	0.051
L1	0.004	0.007	0.010
L2	0.004	0.009	0.012
L3	0.002	0.004	—
L4	0.033 REF		
b1	—	0.011	0.013
e1	0.008	—	—
θ	8°	10°	12°

Notes:

1. All dimensions are in millimeters.
2. Dimension are inclusive of plating.
3. Package body sizes exclude mold flash and gate burrs. Mold flash at the non-lead sides should be less than 3 mils each.
4. Controlling dimension is millimeter, converted inch dimensions are not necessarily exact.

### Tape and Reel Dimensions, SC-89

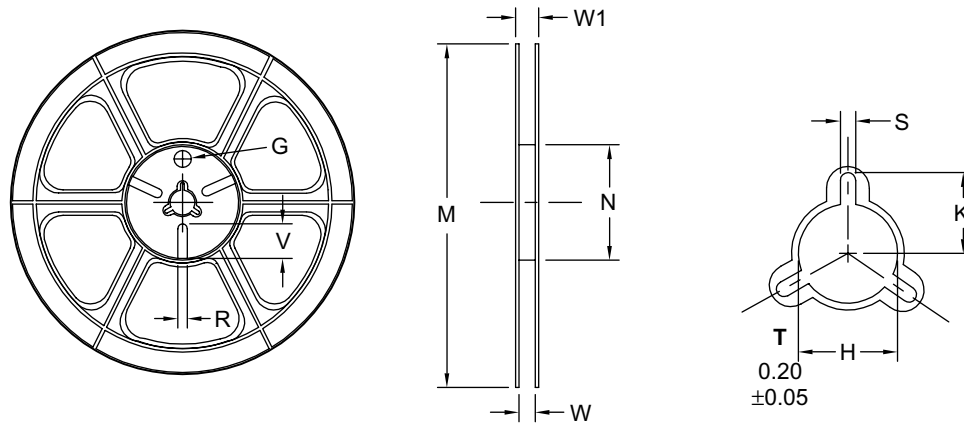
#### Carrier Tape



UNIT: mm

Package	A0	B0	K0	D0	D1	E	E1	E2	P0	P1	P2	T
SC-89, 6L (8mm)	1.78 ±0.05	1.78 ±0.05	0.89 ±0.05	0.50 ±0.05	1.50 ±0.10	8.00 +0.30/-0.10	1.75 ±0.10	3.50 ±0.05	4.00 ±0.10	4.00 ±0.10	2.00 ±0.05	0.20 ±0.05

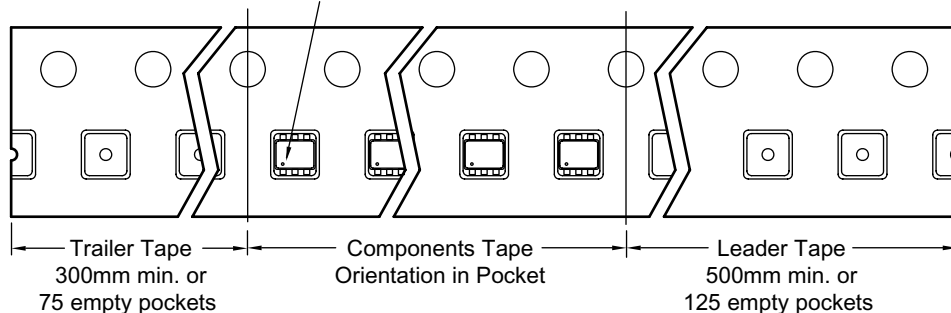
#### Reel



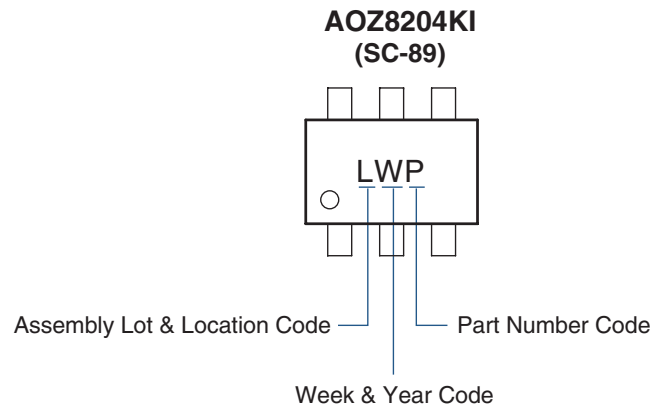
Tape Size	Reel Size	M	N	W	W1	H	K	S	G	R	V
8mm	ø180	ø180.00 ±0.50	ø60.50	9.00 ±0.30	11.40 ±1.00	ø13.00 +0.50/-0.20	10.60	2.00 ±0.50	ø9.00	5.00	18.00

#### Leader/Trailer and Orientation

For dual symmetrical SC89\_6L (AOZ58xx),  
an additional dot will be marked at the top right corner



## Package Marking



**This data sheet contains preliminary data; supplementary data may be published at a later date. Alpha & Omega Semiconductor reserves the right to make changes at any time without notice.**

### LIFE SUPPORT POLICY

ALPHA & OMEGA SEMICONDUCTOR PRODUCTS ARE NOT AUTHORIZED FOR USE AS CRITICAL COMPONENTS IN LIFE SUPPORT DEVICES OR SYSTEMS.

As used herein:

1. Life support devices or systems are devices or systems which, (a) are intended for surgical implant into the body or (b) support or sustain life, and (c) whose failure to perform when properly used in accordance with instructions for use provided in the labeling, can be reasonably expected to result in a significant injury of the user.
2. A critical component in any component of a life support, device, or system whose failure to perform can be reasonably expected to cause the failure of the life support device or system, or to affect its safety or effectiveness.

## Looking for pricing, stock, or lifecycle information?

Click below to explore more details on WIN SOURCE:

- ⊖ [View AOZ8204KI on WIN SOURCE](#)
- ⊖ [Alpha & Omega Semiconductor Inc. Information](#)

## Optimize Your Supply Chain with WIN SOURCE Solutions

- ✓ Global Sourcing Solution
- ✓ Obsolete Management
- ✓ Cost Control Management
- ✓ Shortage Management
- ✓ Alternative Solution
- ✓ Excess Inventory Management