



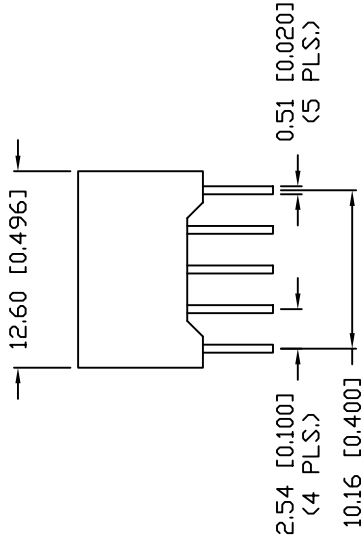
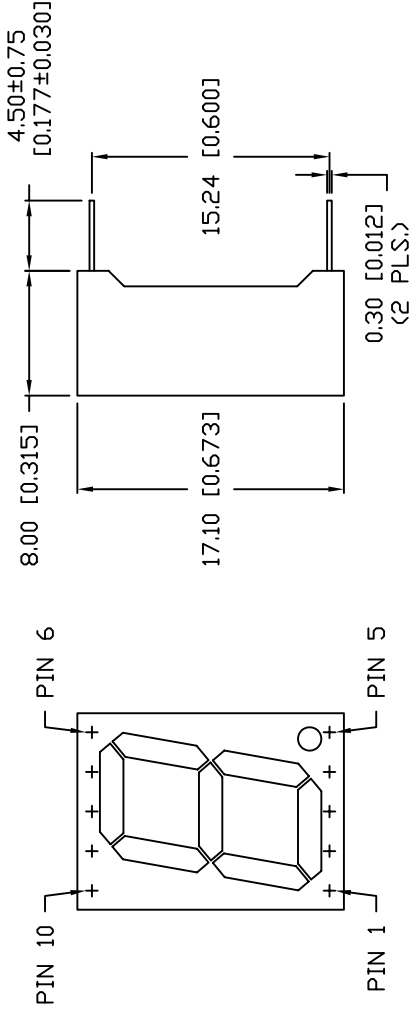
**THE DATASHEET OF  
LDS-A5645RI**



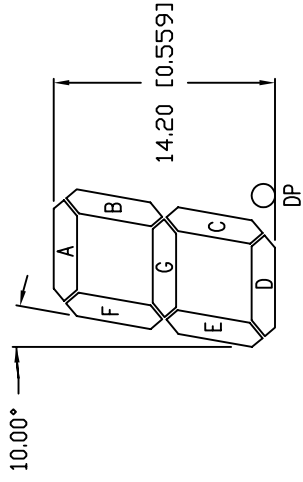
# UNCONTROLLED DOCUMENT

(X)

PART  
LDS-  
REV. E.C.N. NUMBER AND



CHARACTER DETAIL

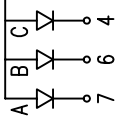


ELECTRO-OPTICAL CHARACTERISTICS

PARAMETER	MIN	TYP	MAX
PEAK WAVELENGTH		700	
FORWARD VOLTAGE		2.0	
REVERSE VOLTAGE	5.0		
AXIAL INTENSITY		15	
EMITTED COLOR:	RED		
FACE COLOR:	GRAY		
SEGMENT COLOR:	MILKY WHITE		

LIMITS OF SAFE OPERATION AT 25°C

PARAMETER	LIMIT
PEAK FORWARD CURRENT*	
STEADY CURRENT	
POWER DISSIPATION	
DERATE FROM 25°C	
OPERATING, STORAGE TEMP.	
SOLDERING TEMP.	
2.0mm FROM BODY	
* t<10µs	



UNCONTROLLED

\*UNLESS OTHERWISE SPECIFIED

REV.

PART NUMBER

LDS-A5645RI

0.56" SEVEN SEGMENT, SINGLE DIGIT DISPLAY,  
700nm RED CHIPS, GRAY FACE WITH WHITE SEGMENTS,  
COMMON ANODE, RIGHT DECIMAL POINT.

CONFIDENTIAL INFORMATION  
THE INFORMATION CONTAINED IN THIS DOCUMENT IS THE PROPERTY OF LUMEX INC. EXCEPT AS SPECIFICALLY AUTHORIZED IN WRITING BY LUMEX INC., THE HOLDER OF THIS DOCUMENT SHALL KEEP ALL INFORMATION CONTAINED HEREIN CONFIDENTIAL AND SHALL PROTECT SAME IN WHOLE OR IN PART FROM DISCLOSURE AND DISSEMINATION TO ALL THIRD PARTIES.

RELIABILITY NOTE  
OUR MANY YEARS OF EXPERIENCE DATA ACCUMULATION INDICATE THAT SOLDER HEAT IS A MAJOR CAUSE OF EARLY AND FUTURE FAILURE. PLEASE PAY ATTENTION TO YOUR SOLDERING PROCESS.

**LUMEX**  
INCORPORATED

DRAWN BY: CHECKED BY:

BC

## Looking for pricing, stock, or lifecycle information?

Click below to explore more details on WIN SOURCE:

- ⊖ [View LDS-A5645RI on WIN SOURCE](#)
- ⊖ [Lumex Opto/Components Inc. Information](#)

## Optimize Your Supply Chain with WIN SOURCE Solutions

- ✓ Global Sourcing Solution
- ✓ Obsolete Management
- ✓ Cost Control Management
- ✓ Shortage Management
- ✓ Alternative Solution
- ✓ Excess Inventory Management