



THE DATASHEET OF MAS800SQ

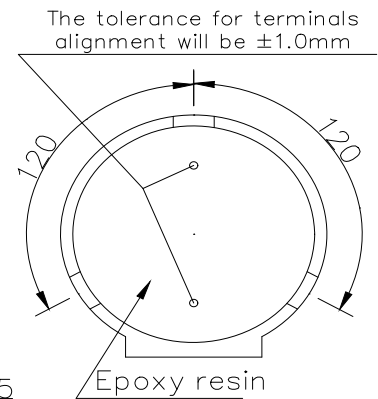
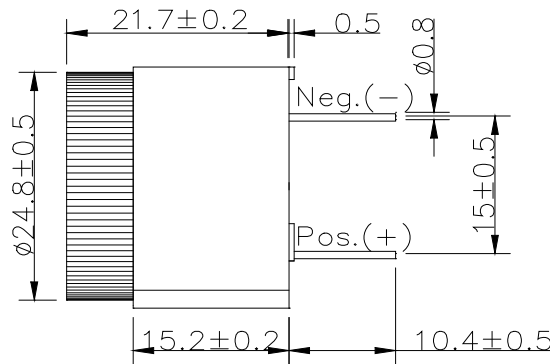
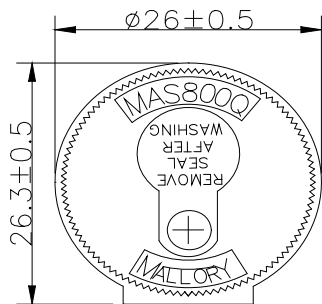


Specifications:

Oscillation Frequency (Hz)	2700 ± 500
Operating Voltage (Vdc)	9 ~ 12
Current Consumption Max. (mA)	50 @ 12Vdc
Sound Pressure Level (dB/min)	103 @ 10cm @ 12 Vdc
Tone/Pulse Rate	Constant
Operating Temperature (°C)	-20 ~ +90
Storage Temperature (°C)	-30 ~ +100
Lead Pin	Tin Plated Brass
Housing	ABS 777D UL94HB Plastic resin (Color: Gray)
Weight (Grams)	10
Condition by wave soldering (°C)	245 ±5 / 3±0.5 sec
Condition by hand soldering (°C)	350 ±20 / within 5 sec
Options	For other options contact factory

Dimensions: (units: mm)

ROHS Compliant



Looking for pricing, stock, or lifecycle information?

Click below to explore more details on WIN SOURCE:

- ⊖ [View MAS800SQ on WIN SOURCE](#)
- ⊖ [Mallory Sonalert Products Inc. Information](#)

Optimize Your Supply Chain with WIN SOURCE Solutions

- ✓ Global Sourcing Solution
- ✓ Obsolete Management
- ✓ Cost Control Management
- ✓ Shortage Management
- ✓ Alternative Solution
- ✓ Excess Inventory Management