



# THE DATASHEET OF STGB10NB60ST4



### Features

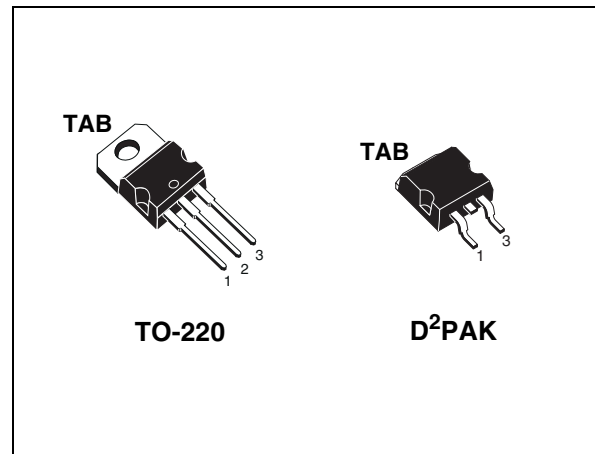
- Low on-voltage drop ( $V_{CE(sat)}$ )
- High current capability

### Applications

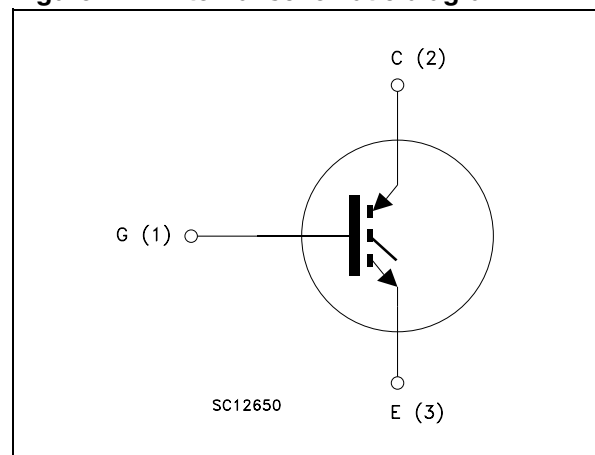
- Light dimmer
- Static relays
- Motor drive

### Description

This IGBT utilizes the advanced PowerMESH™ process featuring extremely low on-state voltage drop in low-frequency working conditions (up to 1 kHz).



**Figure 1. Internal schematic diagram**



**Table 1. Device summary**

Order codes	Marking	Package	Packaging
STGB10NB60ST4	GB10NB60S	D <sup>2</sup> PAK	Tape and reel
STGP10NB60S	GP10NB60S	TO-220	Tube

# Contents

<b>1</b>	<b>Electrical ratings</b> .....	<b>3</b>
<b>2</b>	<b>Electrical characteristics</b> .....	<b>4</b>
2.1	Electrical characteristics (curves) .....	6
<b>3</b>	<b>Test circuits</b> .....	<b>9</b>
<b>4</b>	<b>Package mechanical data</b> .....	<b>10</b>
<b>5</b>	<b>Packaging mechanical data</b> .....	<b>15</b>
<b>6</b>	<b>Revision history</b> .....	<b>18</b>

# 1 Electrical ratings

**Table 2. Absolute maximum ratings**

Symbol	Parameter	Value	Unit
$V_{CES}$	Collector-emitter voltage ( $V_{GE} = 0$ )	600	V
$I_C^{(1)}$	Continuous collector current at $T_C = 25\text{ °C}$	29	A
$I_C^{(1)}$	Continuous collector current at $T_C = 100\text{ °C}$	16	A
$I_{CL}^{(2)}$	Turn-off latching current	20	A
$I_{CP}^{(3)}$	Pulsed collector current	80	A
$V_{GE}$	Gate-emitter voltage	$\pm 20$	V
$P_{TOT}$	Total dissipation at $T_C = 25\text{ °C}$	80	W
$T_j$	Operating junction temperature	- 55 to 150	°C

1. Calculated according to the iterative formula

$$I_C(T_C) = \frac{T_{j(max)} - T_C}{R_{thj-c} \times V_{CE(sat)(max)}(T_{j(max)}, I_C(T_C))}$$

2.  $V_{clamp} = 80\%$  of  $V_{CES}$ ,  $T_j = 150\text{ °C}$ ,  $R_G = 1k\Omega$ ,  $V_{GE} = 15\text{ V}$   
 3. Pulse width limited by maximum junction temperature and turn-off within RBSOA

**Table 3. Thermal data**

Symbol	Parameter	Value	Unit
$R_{thj-case}$	Thermal resistance junction-case	1.56	°C/W
$R_{thj-amb}$	Thermal resistance junction-ambient	62.5	°C/W

## 2 Electrical characteristics

( $T_j = 25\text{ °C}$  unless otherwise specified)

**Table 4. Static**

Symbol	Parameter	Test conditions	Min.	Typ.	Max.	Unit
$V_{(BR)CES}$	Collector-emitter breakdown voltage ( $V_{GE} = 0$ )	$I_C = 250\ \mu\text{A}$	600			V
$V_{(BR)ECS}$	Emitter-collector breakdown voltage ( $V_{GE} = 0$ )	$I_C = 1\ \text{mA}$	20			V
$I_{GES}$	Gate-emitter leakage current ( $V_{CE} = 0$ )	$V_{GE} = \pm 20\ \text{V}$			$\pm 100$	nA
$I_{CES}$	Collector cut-off current ( $V_{GE} = 0$ )	$V_{CE} = 600\ \text{V}$ $V_{CE} = 600\ \text{V}, T_j = 125\text{ °C}$			10 100	$\mu\text{A}$ $\mu\text{A}$
$V_{GE(th)}$	Gate threshold voltage	$V_{CE} = V_{GE}, I_C = 250\ \mu\text{A}$	2.5		5	V
$V_{CE(sat)}$	Collector-emitter saturation voltage	$V_{GE} = 15\ \text{V}, I_C = 5\ \text{A}$ $V_{GE} = 15\ \text{V}, I_C = 10\ \text{A}$ $V_{GE} = 15\ \text{V}, I_C = 10\ \text{A}, T_j = 125\text{ °C}$		1.15 1.35 1.25	1.75	V
$g_{fs}^{(1)}$	Forward transconductance	$V_{CE} = 15\ \text{V}, I_C = 10\ \text{A}$	5			S

1. Pulsed: Pulse duration = 300  $\mu\text{s}$ , duty cycle 1.5%

**Table 5. Dynamic**

Symbol	Parameter	Test conditions	Min.	Typ.	Max.	Unit
$C_{ies}$	Input capacitance	$V_{CE} = 25\ \text{V}, f = 1\ \text{MHz}, V_{GE} = 0$		610		pF
$C_{oes}$	Output capacitance		-	65	-	pF
$C_{res}$	Reverse transfer capacitance				12	
$Q_g$	Total gate charge	$V_{CE} = 400\ \text{V}, I_C = 10\ \text{A},$ $V_{GE} = 15\ \text{V}$ (see Figure 17)	-	33	-	nC

**Table 6. Switching on/off (inductive load)**

Symbol	Parameter	Test conditions	Min.	Typ.	Max.	Unit
$t_{d(on)}$	Turn-on delay time	$V_{CC} = 480\text{ V}, I_C = 10\text{ A}$		0.7		$\mu\text{s}$
$t_r$	Current rise time	$R_G = 1\text{ k}\Omega, V_{GE} = 15\text{ V}$	-	0.46	-	$\mu\text{s}$
$(di/dt)_{on}$	Turn-on current slope	(see Figure 16)		8		$\text{A}/\mu\text{s}$
$t_r(V_{off})$	Off voltage rise time	$V_{CC} = 480\text{ V}, I_C = 10\text{ A}$		2.2		
$t_{d(off)}$	Turn-off delay time	$R_G = 1\text{ k}\Omega, V_{GE} = 15\text{ V}$	-	1.2	-	$\mu\text{s}$
$t_f$	Current fall time	(see Figure 16)		1.2		
$t_r(V_{off})$	Off voltage rise time	$V_{CC} = 480\text{ V}, I_C = 10\text{ A}$		3.8		
$t_{d(off)}$	Turn-off delay time	$R_G = 1\text{ k}\Omega, V_{GE} = 15\text{ V},$ $T_j = 125\text{ }^\circ\text{C}$	-	1.2	-	$\mu\text{s}$
$t_f$	Current fall time	(see Figure 16)		1.9		

**Table 7. Switching energy (inductive load)**

Symbol	Parameter	Test conditions	Min.	Typ.	Max.	Unit
$E_{on}^{(1)}$	Turn-on switching losses	$V_{CC} = 480\text{ V}, I_C = 10\text{ A}$		0.6		mJ
$E_{off}^{(2)}$	Turn-off switching losses	$R_G = 1\text{ k}\Omega, V_{GE} = 15\text{ V}$	-	5	-	mJ
$E_{ts}$	Total switching losses	(see Figure 16)		5.6		mJ
$E_{off}^{(2)}$	Turn-off switching losses	$V_{CC} = 480\text{ V}, I_C = 10\text{ A}$ $R_G = 1\text{ k}\Omega, V_{GE} = 15\text{ V},$ $T_j = 125\text{ }^\circ\text{C}$ (see Figure 16)	-	8	-	mJ

1.  $E_{on}$  is the turn-on losses when a typical diode is used in the test circuit. If the IGBT is offered in a package with a co-pack diode, the co-pack diode is used as external diode. IGBTs and diode are at the same temperature (25°C and 125°C).
2. Turn-off losses include also the tail of the collector current.

## 2.1 Electrical characteristics (curves)

Figure 2. Output characteristics

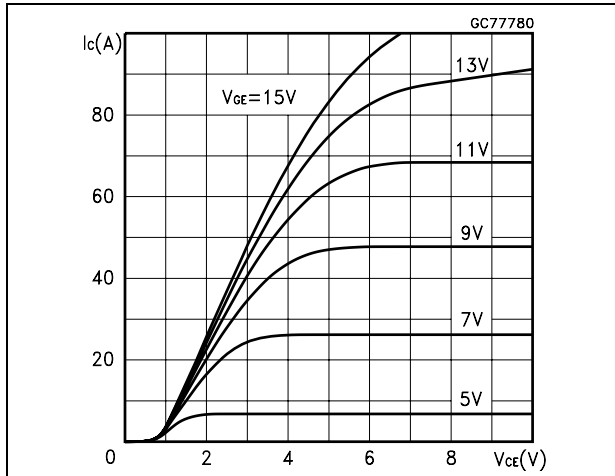


Figure 3. Transfer characteristics

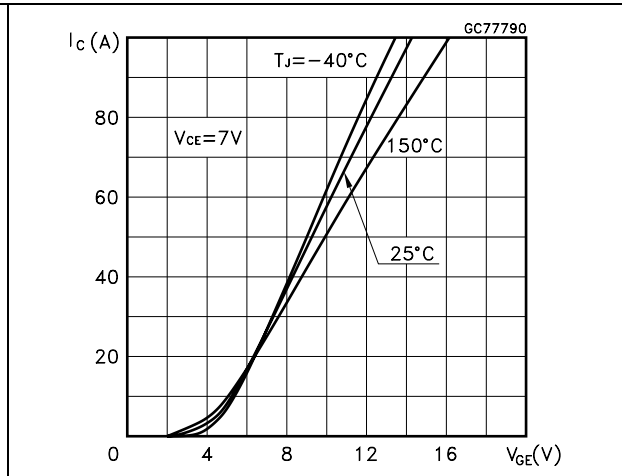


Figure 4. Transconductance

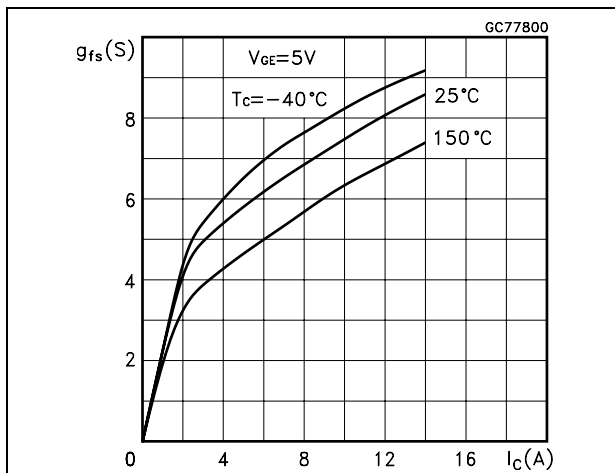


Figure 5. Collector-emitter on voltage vs. temperature

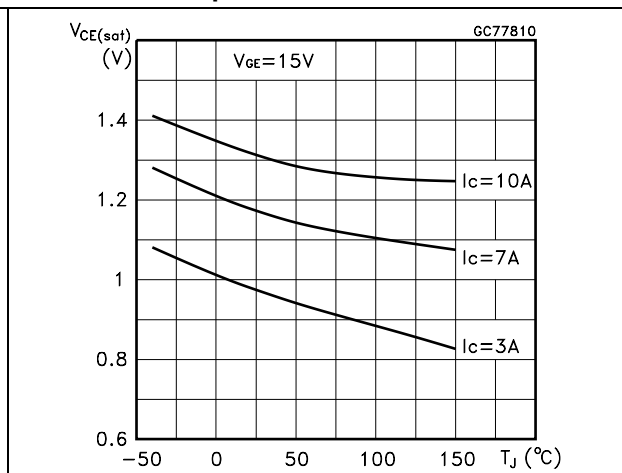


Figure 6. Collector-emitter on voltage vs. collector current

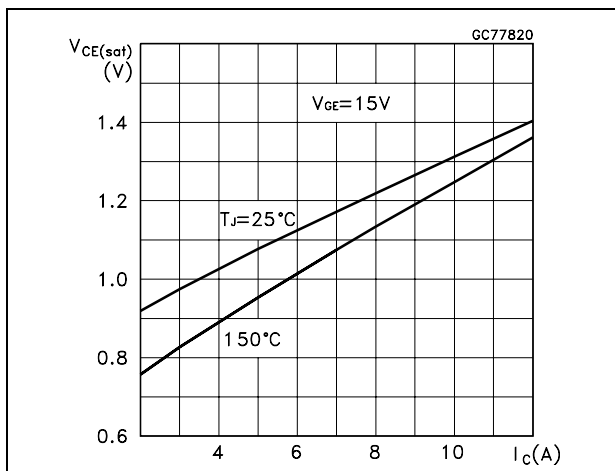


Figure 7. Normalized gate threshold vs. temperature

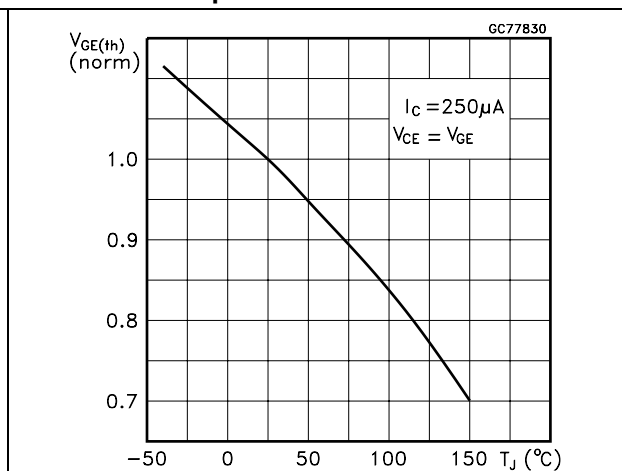


Figure 8. Normalized breakdown voltage vs. temperature

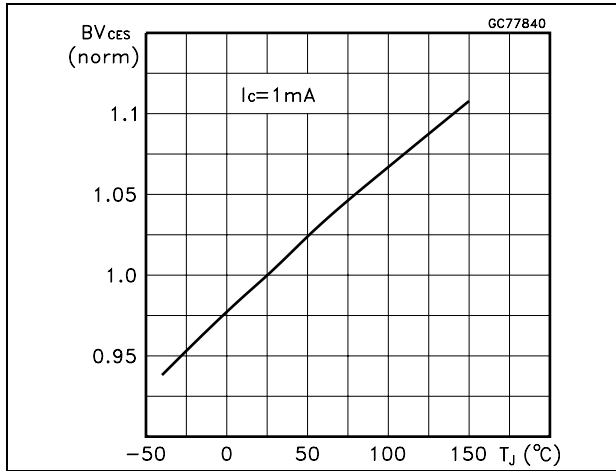


Figure 9. Gate charge vs. gate-emitter voltage

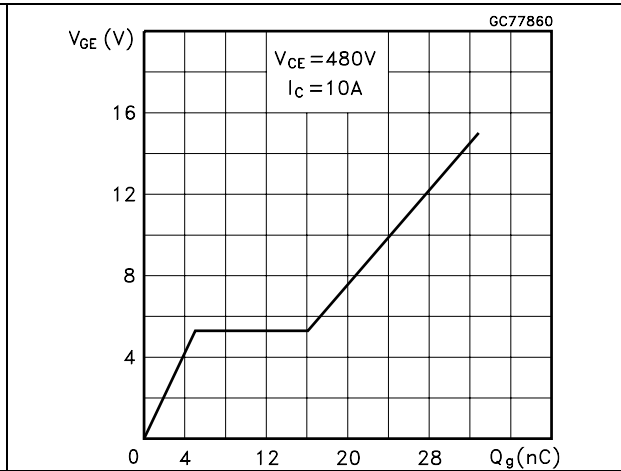


Figure 10. Capacitance variations

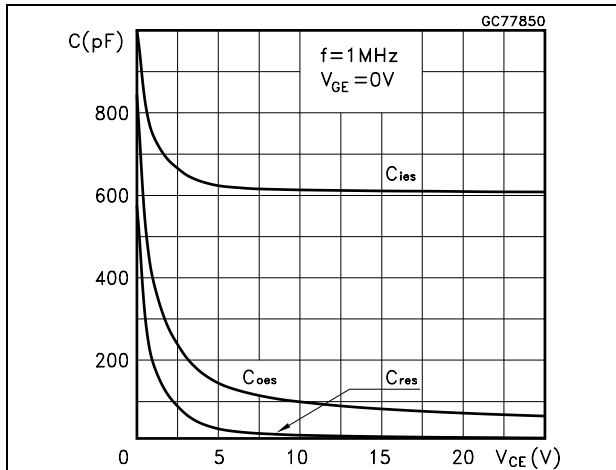


Figure 11. Switching losses vs. temperature

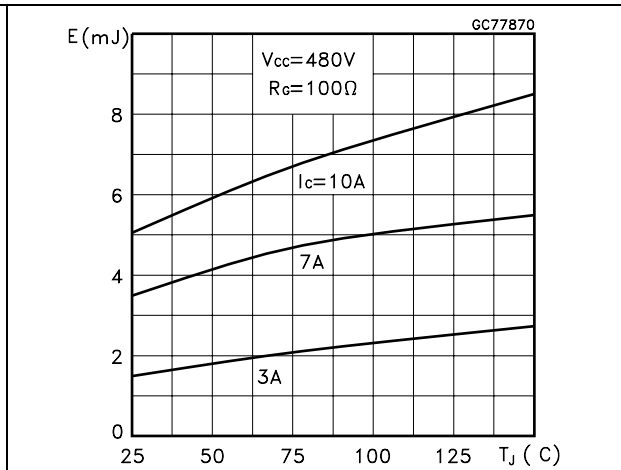


Figure 12. Switching losses vs. gate resistance

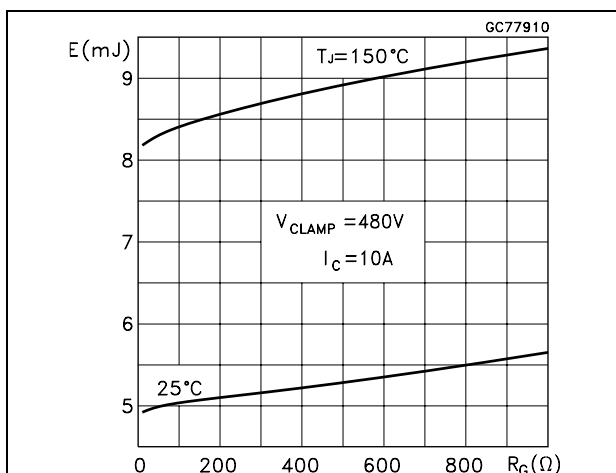


Figure 13. Switching losses vs. collector current

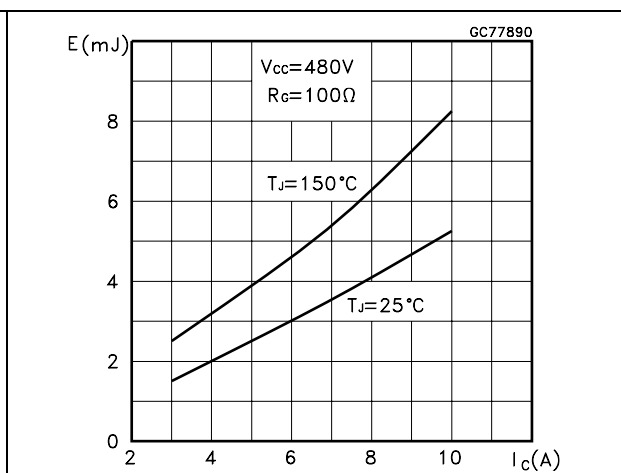
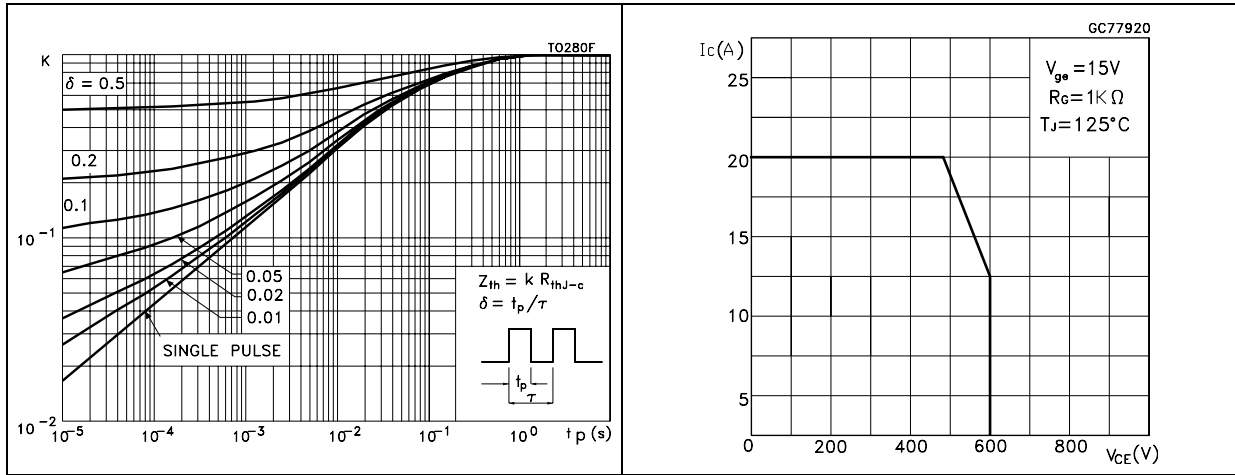


Figure 14. Thermal impedance for TO-220 and D<sup>2</sup>PAK

Figure 15. Turn-off SOA





## 4 Package mechanical data

In order to meet environmental requirements, ST offers these devices in different grades of ECOPACK<sup>®</sup> packages, depending on their level of environmental compliance. ECOPACK<sup>®</sup> specifications, grade definitions and product status are available at: [www.st.com](http://www.st.com). ECOPACK is an ST trademark.

Table 8. D<sup>2</sup>PAK (TO-263) mechanical data

Dim.	mm		
	Min.	Typ.	Max.
A	4.40		4.60
A1	0.03		0.23
b	0.70		0.93
b2	1.14		1.70
c	0.45		0.60
c2	1.23		1.36
D	8.95		9.35
D1	7.50		
E	10		10.40
E1	8.50		
e		2.54	
e1	4.88		5.28
H	15		15.85
J1	2.49		2.69
L	2.29		2.79
L1	1.27		1.40
L2	1.30		1.75
R		0.4	
V2	0°		8°

Figure 19. D<sup>2</sup>PAK (TO-263) drawing

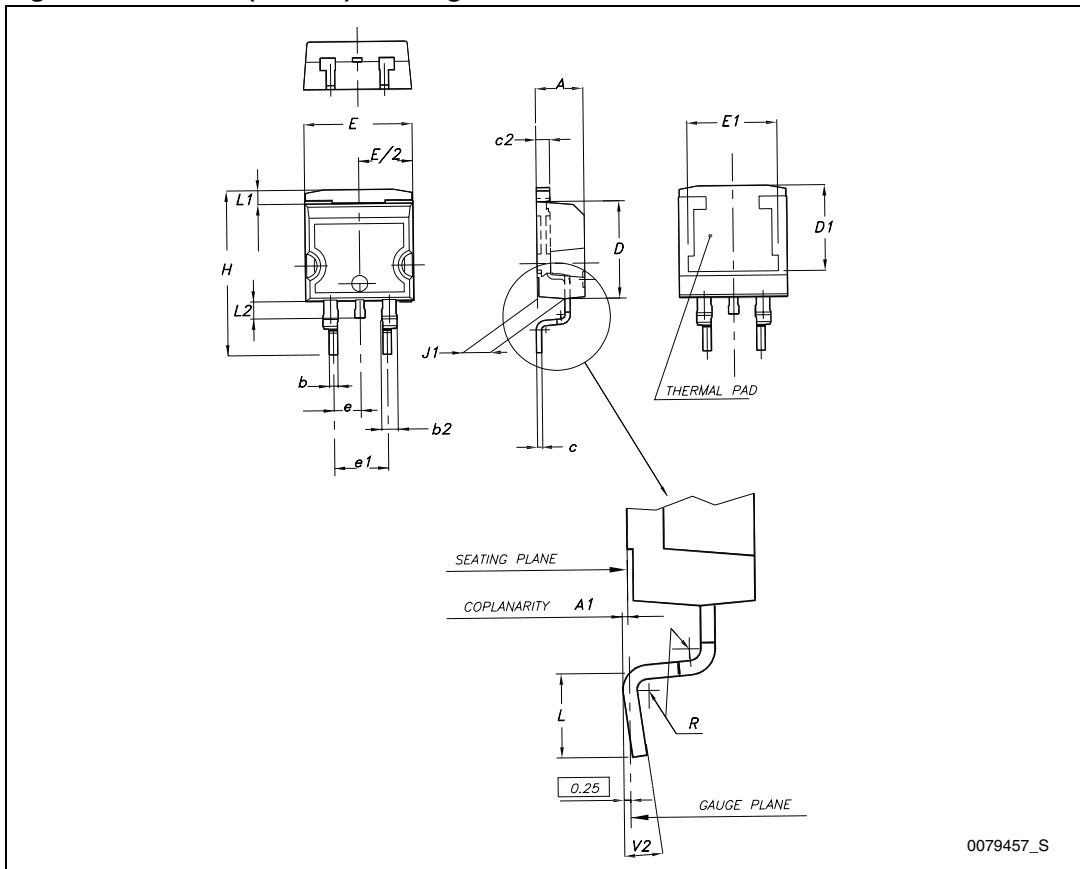
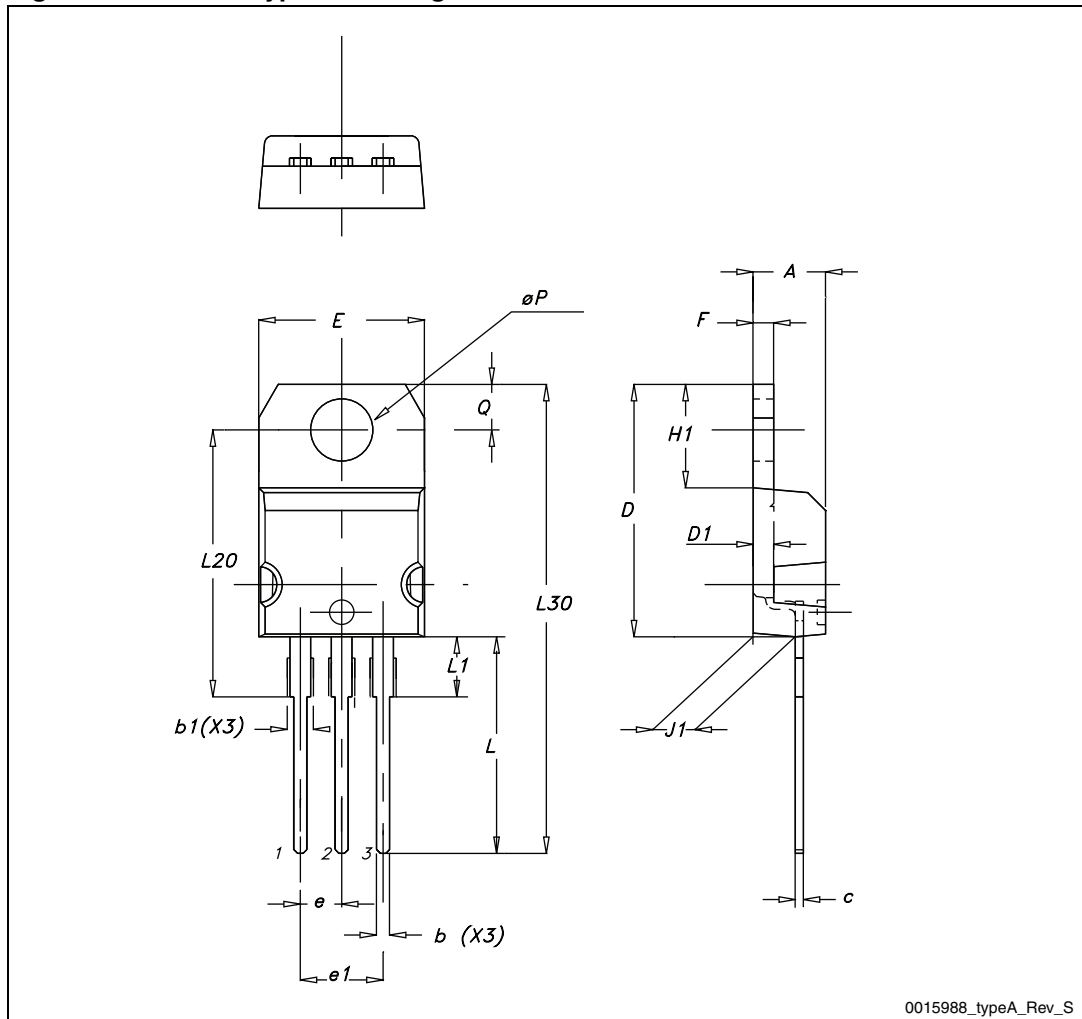


Table 9. TO-220 type A mechanical data

Dim.	mm.		
	Min.	Typ.	Max.
A	4.40		4.60
b	0.61		0.88
b1	1.14		1.70
c	0.48		0.70
D	15.25		15.75
D1		1.27	
E	10		10.40
e	2.40		2.70
e1	4.95		5.15
F	1.23		1.32
H1	6.20		6.60
J1	2.40		2.72
L	13		14
L1	3.50		3.93
L20		16.40	
L30		28.90	
∅P	3.75		3.85
Q	2.65		2.95

Figure 20. TO-220 type A drawing



## 5 Packaging mechanical data

Table 10. D<sup>2</sup>PAK (TO-263) tape and reel mechanical data

Tape			Reel		
Dim.	mm.		Dim.	mm.	
	Min.	Max.		Min.	Max.
A0	10.5	10.7	A		330
B0	15.7	15.9	B	1.5	
D	1.5	1.6	C	12.8	13.2
D1	1.59	1.61	D	20.2	
E	1.65	1.85	G	24.4	26.4
F	11.4	11.6	N	100	
K0	4.8	5.0	T		30.4
P0	3.9	4.1			
P1	11.9	12.1		Base qty	1000
P2	1.9	2.1		Bulk qty	1000
R	50				
T	0.25	0.35			
W	23.7	24.3			

Figure 21. D<sup>2</sup>PAK footprint (a)

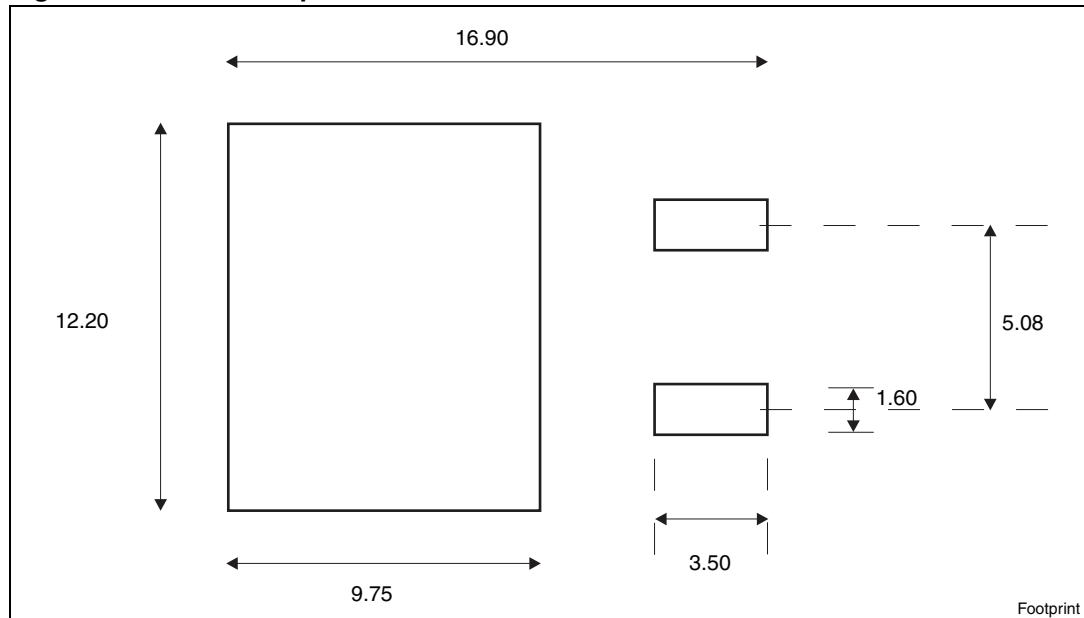
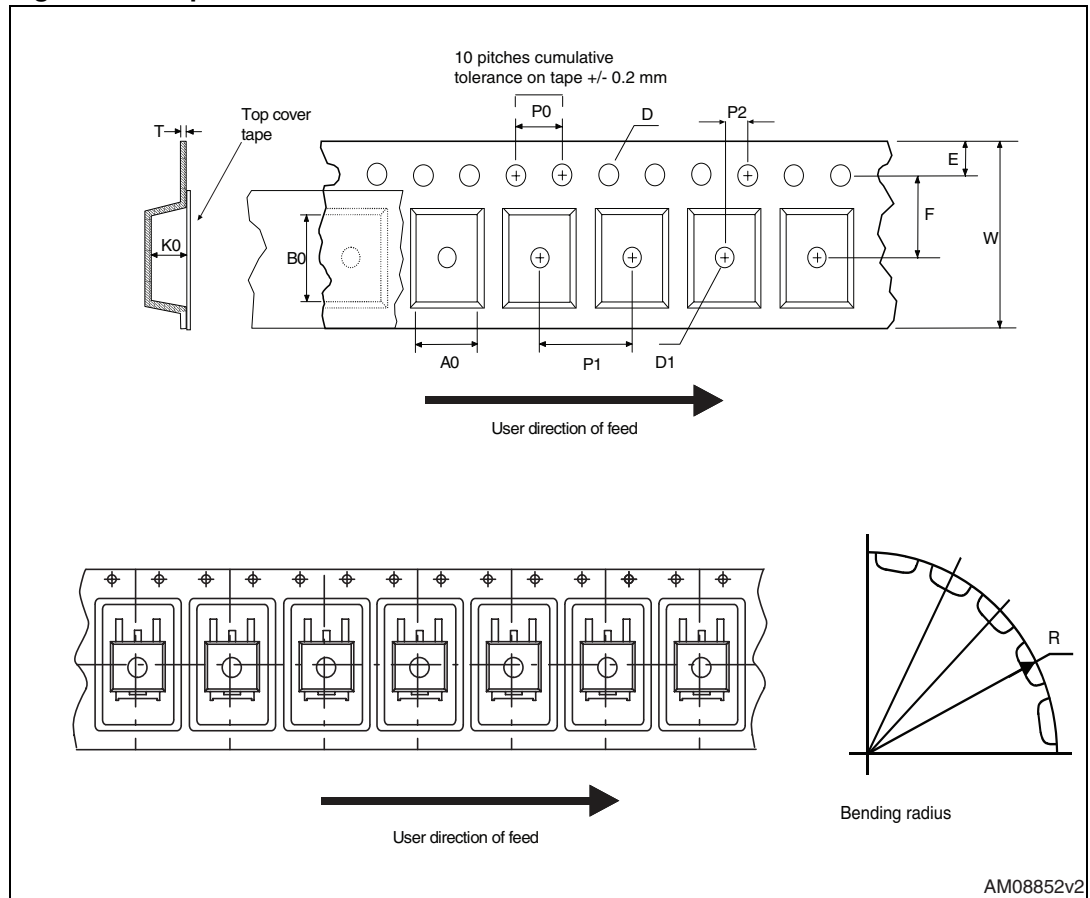
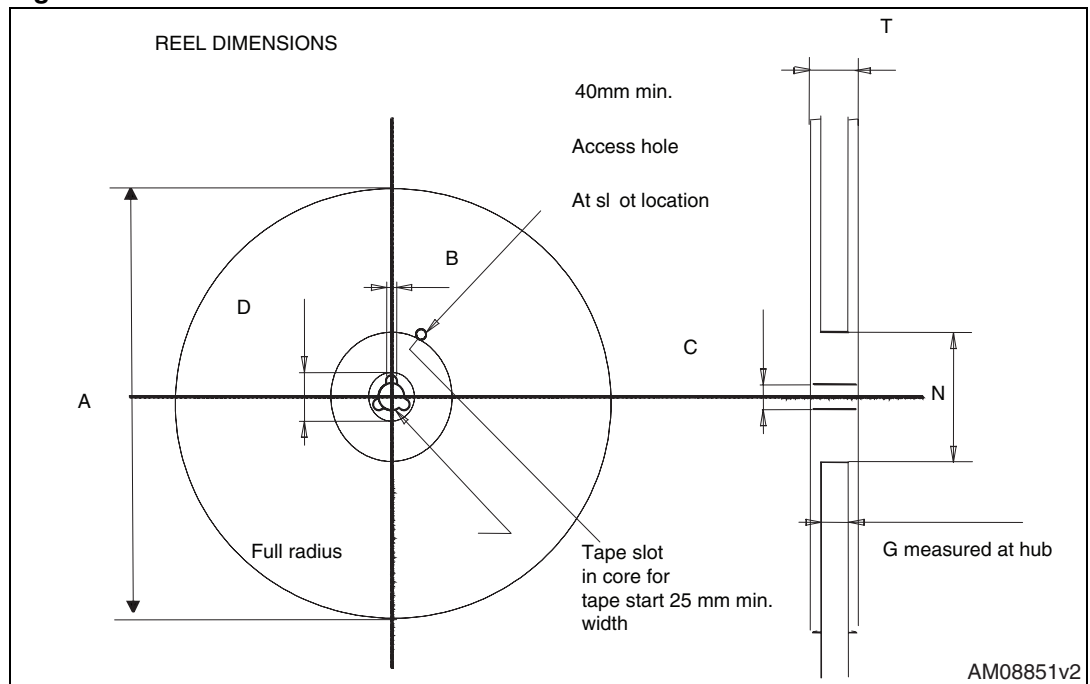


Figure 22. Tape



a. All dimension are in millimeters.

Figure 23. Reel



## 6 Revision history

**Table 11. Document revision history**

Date	Revision	Changes
10-Nov-2004	1	New release.
28-Feb-2005	2	Some values changed in <a href="#">Table 4: Static</a> .
16-Dec-2010	3	Updated <a href="#">Table 2: Absolute maximum ratings</a> . Updated mechanical data <a href="#">Section 4: Package mechanical data</a> .
27-Sep-2011	4	Modified: unit value <a href="#">Table 7 on page 5</a> , <a href="#">Figure 2 on page 6</a> and <a href="#">Figure 3 on page 6</a> . Updated mechanical data D <sup>2</sup> PAK <a href="#">Table 8 on page 11</a> and <a href="#">Figure 19 on page 12</a> . Removed order code STGP10NB60SFP and TO-220FP package mechanical data.

**Please Read Carefully:**

Information in this document is provided solely in connection with ST products. STMicroelectronics NV and its subsidiaries ("ST") reserve the right to make changes, corrections, modifications or improvements, to this document, and the products and services described herein at any time, without notice.

All ST products are sold pursuant to ST's terms and conditions of sale.

Purchasers are solely responsible for the choice, selection and use of the ST products and services described herein, and ST assumes no liability whatsoever relating to the choice, selection or use of the ST products and services described herein.

No license, express or implied, by estoppel or otherwise, to any intellectual property rights is granted under this document. If any part of this document refers to any third party products or services it shall not be deemed a license grant by ST for the use of such third party products or services, or any intellectual property contained therein or considered as a warranty covering the use in any manner whatsoever of such third party products or services or any intellectual property contained therein.

**UNLESS OTHERWISE SET FORTH IN ST'S TERMS AND CONDITIONS OF SALE ST DISCLAIMS ANY EXPRESS OR IMPLIED WARRANTY WITH RESPECT TO THE USE AND/OR SALE OF ST PRODUCTS INCLUDING WITHOUT LIMITATION IMPLIED WARRANTIES OF MERCHANTABILITY, FITNESS FOR A PARTICULAR PURPOSE (AND THEIR EQUIVALENTS UNDER THE LAWS OF ANY JURISDICTION), OR INFRINGEMENT OF ANY PATENT, COPYRIGHT OR OTHER INTELLECTUAL PROPERTY RIGHT.**

**UNLESS EXPRESSLY APPROVED IN WRITING BY TWO AUTHORIZED ST REPRESENTATIVES, ST PRODUCTS ARE NOT RECOMMENDED, AUTHORIZED OR WARRANTED FOR USE IN MILITARY, AIR CRAFT, SPACE, LIFE SAVING, OR LIFE SUSTAINING APPLICATIONS, NOR IN PRODUCTS OR SYSTEMS WHERE FAILURE OR MALFUNCTION MAY RESULT IN PERSONAL INJURY, DEATH, OR SEVERE PROPERTY OR ENVIRONMENTAL DAMAGE. ST PRODUCTS WHICH ARE NOT SPECIFIED AS "AUTOMOTIVE GRADE" MAY ONLY BE USED IN AUTOMOTIVE APPLICATIONS AT USER'S OWN RISK.**

Resale of ST products with provisions different from the statements and/or technical features set forth in this document shall immediately void any warranty granted by ST for the ST product or service described herein and shall not create or extend in any manner whatsoever, any liability of ST.

ST and the ST logo are trademarks or registered trademarks of ST in various countries.

Information in this document supersedes and replaces all information previously supplied.

The ST logo is a registered trademark of STMicroelectronics. All other names are the property of their respective owners.

© 2011 STMicroelectronics - All rights reserved



STMicroelectronics group of companies

Australia - Belgium - Brazil - Canada - China - Czech Republic - Finland - France - Germany - Hong Kong - India - Israel - Italy - Japan - Malaysia - Malta - Morocco - Philippines - Singapore - Spain - Sweden - Switzerland - United Kingdom - United States of America

[www.st.com](http://www.st.com)

## Looking for pricing, stock, or lifecycle information?

Click below to explore more details on WIN SOURCE:

-  [View STGB10NB60ST4 on WIN SOURCE](#)
-  [STMicroelectronics Information](#)

## Optimize Your Supply Chain with WIN SOURCE Solutions

-  Global Sourcing Solution
-  Obsolete Management
-  Cost Control Management
-  Shortage Management
-  Alternative Solution
-  Excess Inventory Management