

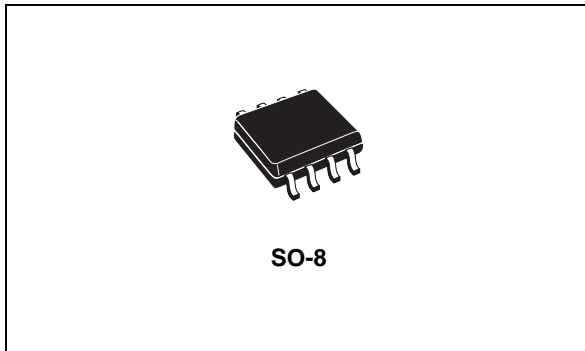


THE DATASHEET OF ST4485EBDR



3.3 V powered, 15 kV ESD protected, up to 20 Mbps RS-485/ RS-422 transceiver

Datasheet - production data



- Guaranteed high receiver output state for floating inputs with no signal present
- Allow up to 64 transceivers on the bus
- Wide operating temperature range: -40 to +105 °C

Applications

- Industrial systems control
- Telecommunications

Features

- ESD protection
 - ± 15 kV human body model
 - ± 8 kV IEC 1000-4-2 contact discharge
- Operate from a single 3.3 V supply - no charge pump required
- Interoperable with 5 V logic
- 1 µA low current shutdown mode max.
- Guaranteed 20 Mbps data rate
- -7 to 12 V common mode input voltage range
- Half duplex versions available
- Industry standard 75176 pinout
- Current limiting and thermal shutdown for driver overload protection

Description

The ST4485EB device is a ± 15 kV ESD protected, 3.3 V low power transceiver for RS-485 and RS-422 communications. The device contains one driver and one receiver in half duplex configuration.

The ST4485EB transmits and receives at a guaranteed data rate of at least 20 Mbps.

All transmitter outputs and receiver inputs are protected to ± 15 kV using "Human Body Model".

The driver is short-circuit current limited and is protected against excessive power dissipation by thermal shutdown circuitry that places the driver outputs into a high-impedance state.

Table 1. Device summary

Order code	Temperature range	Package	Packaging
ST4485EBDR	-40 to 105 °C	SO-8 (tape and reel)	2500 parts per reel

Contents

1	Pin configuration	3
2	Truth tables	4
3	Maximum ratings	5
4	Electrical characteristics	6
5	Test circuits and typical characteristics	9
6	Package mechanical data	14
7	Revision history	17

1 Pin configuration

Figure 1. Pin connections

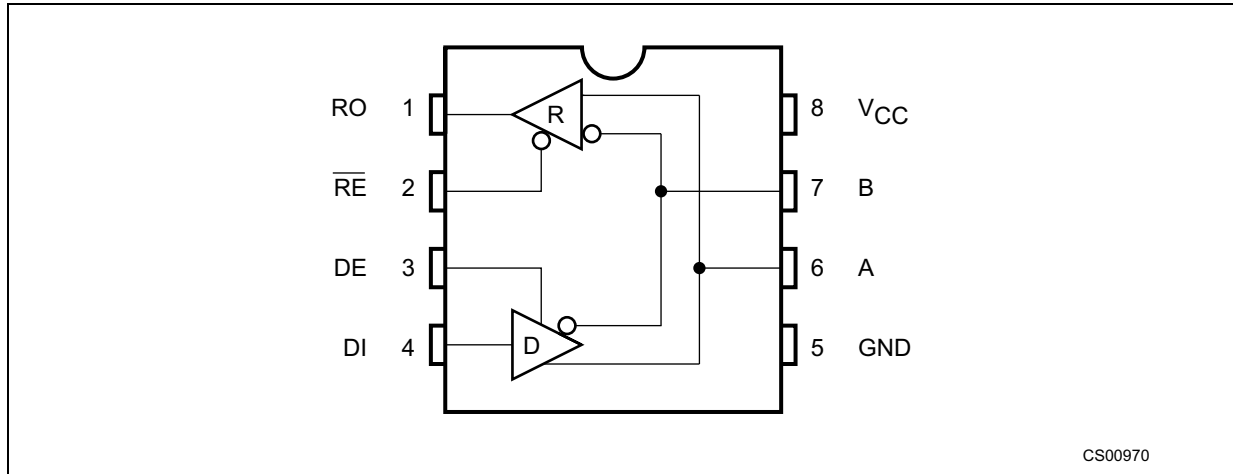


Table 2. Pin description

Pin n°	Symbol	Name and function
1	RO	Receiver output. If $A > B$ by 200 mV, RO will be high; if $A < B$ by 200 mV, RO will be low.
2	\overline{RE}	Receiver output enable. RO is enabled when RE is low; RO is high impedance when RE is high. If RE is high and DE is low, the device will enter a low power shutdown mode.
3	DE	Driver output enable. The driver outputs are enabled by bringing DE high. They are high impedance when DE is low. If RE is high DE is low, the device will enter a low-power shutdown mode. If the driver outputs are enabled, the part functions as line driver, while they are high impedance, it functions as line receivers if RE is low.
4	DI	Driver input. A low on DI forces output A low and output B high. Similarly, a high on DI forces output A high and output B low.
5	GND	Ground
6	A	Non-inverting receiver input and non-inverting driver output
7	B	Inverting receiver input and inverting driver output
8	V_{CC}	Supply voltage: $V_{CC} = 3\text{ V to }3.6\text{ V}$

2 Truth tables

Table 3. Truth table (driver)

Inputs			Outputs		Mode
RE	DE	DI	B	A	
X ⁽¹⁾	H	H	L	H	Normal
X ⁽¹⁾	H	L	H	L	Normal
L	L	X ⁽¹⁾	Z ⁽²⁾	Z ⁽²⁾	Normal
H	L	X ⁽¹⁾	Z ⁽²⁾	Z ⁽²⁾	Shutdown

1. X = don't care.
2. Z = high impedance.

Table 4. Truth table (receiver)

Inputs			Output	Mode
RE	DE	A-B	RO	
L	L	$\geq 0.2\text{ V}$	H	Normal
L	L	$\leq -0.2\text{ V}$	L	Normal
L	L	Inputs open	H	Normal
H	L	X ⁽¹⁾	Z ⁽²⁾	Shutdown

1. X = don't care.
2. Z = high impedance.

3 Maximum ratings

Table 5. Absolute maximum ratings⁽¹⁾

Symbol	Parameter	Value	Unit
V_{CC}	Supply voltage	7	V
V_I	Control input voltage (\overline{RE} , DE)	-0.3 to 7	V
V_{DI}	Driver input voltage (DI)	-0.3 to 7	V
V_{DO}	Driver output voltage (A, B)	± 14	V
V_{RI}	Receiver input voltage (A, B)	± 14	V
V_{RO}	Receiver output voltage (RO)	-0.3 to ($V_{CC} + 0.3$)	V

1. Absolute maximum ratings are those values beyond which damage to the device may occur. Functional operation under these condition is not implied.

Table 6. ESD performance: transmitter outputs, receiver inputs

Symbol	Parameter	Test conditions	Min.	Typ.	Max.	Unit
ESD	ESD protection voltage	Human body model		± 15		kV
ESD	ESD protection voltage	IEC-1000-4-2 contact discharge		± 8		kV

4 Electrical characteristics

Table 7. Electrical characteristics ($V_{CC} = 3\text{ V to }3.6\text{ V}$, $T_A = -40\text{ to }105\text{ }^\circ\text{C}$, unless otherwise specified. Typical values are referred to $T_A = 25\text{ }^\circ\text{C}$)

Symbol	Parameter	Test conditions	Min.	Typ.	Max.	Unit	
I_{SUPPLY}	V_{CC} power supply current	No load, $DI = 0\text{ V or }V_{CC}$	$\overline{DE} = V_{CC}, \overline{RE} = 0\text{ V or }V_{CC}$		1.3	2.2	mA
			$DE = 0\text{ V}, \overline{RE} = 0\text{ V}$		1.2	1.9	mA
I_{SHDN}	Shutdown supply current	$DE = 0\text{ V}, RE = V_{CC}, DI = 0\text{ V or }V_{CC}$		0.002	1	μA	

Table 8. Logic input electrical characteristics ($V_{CC} = 3\text{ V to }3.6\text{ V}$, $T_A = -40\text{ to }105\text{ }^\circ\text{C}$, unless otherwise specified. Typical values are referred to $T_A = 25\text{ }^\circ\text{C}$)

Symbol	Parameter	Test conditions	Min.	Typ.	Max.	Unit
V_{IL}	Input logic threshold low	DE, DI, RE		1.3	0.8	V
V_{IH}	Input logic threshold high	DE, DI, RE	2			V
I_{IN1}	Logic input current	DE, DI, RE			± 2.0	μA
I_{IN2}	Input current (A, B)	$DE = 0\text{ V}, V_{CC} = 0\text{ or }3.6\text{ V}$	$V_{IN} = 12\text{ V}$		1	mA
			$V_{IN} = -7\text{ V}$		-0.8	mA

Table 9. Transmitter electrical characteristics ($V_{CC} = 3\text{ V to }3.6\text{ V}$, $T_A = -40\text{ to }105\text{ }^\circ\text{C}$, unless otherwise specified. Typical values are referred to $T_A = 25\text{ }^\circ\text{C}$)

Symbol	Parameter	Test conditions	Min.	Typ.	Max.	Unit
V_{OD}	Differential drive output	$R_L = 100\ \Omega$ (RS-422) (Figure 1)	2			V
		$R_L = 54\ \Omega$ (RS-485) (Figure 1)	1.5			V
		$R_L = 60\ \Omega$ (RS-485) (Figure 2)	1.5			V
ΔV_{OD}	Change in magnitude of driver differential output voltage for complementary output states ⁽¹⁾	$R_L = 54\ \Omega$ or $100\ \Omega$ (Figure 1)			0.2	V
V_{OC}	Driver common mode output voltage	$R_L = 54\ \Omega$ or $100\ \Omega$ (Figure 1)			3	V
ΔV_{OC}	Change in magnitude of driver common mode output voltage ⁽¹⁾	$R_L = 54\ \Omega$ or $100\ \Omega$ (Figure 1)			0.2	V
I_{OSD}	Driver short-circuit output current				± 250	mA

1. ΔV_{OD} and ΔV_{OC} are the changes in V_{OD} and V_{OC} , respectively, when the DI input changes state.

Table 10. Receiver electrical characteristics ($V_{CC} = 3\text{ V to }3.6\text{ V}$, $T_A = -40\text{ to }105\text{ }^\circ\text{C}$, unless otherwise specified. Typical values are referred to $T_A = 25\text{ }^\circ\text{C}$)

Symbol	Parameter	Test conditions	Min.	Typ.	Max.	Unit
V_{TH}	Receiver differential threshold voltage	$V_{CM} = -7\text{ V to }12\text{ V}$, $DE = 0$	-0.2		0.2	V
ΔV_{TH}	Receiver input hysteresis	$V_{CM} = 0\text{ V}$		70		mV
V_{OH}	Receiver output high voltage	$I_{OUT} = -4\text{ mA}$, $V_{ID} = 200\text{ mV}$ (Figure 8 and Figure 9)	2			V
V_{OL}	Receiver output low voltage	$I_{OUT} = 4\text{ mA}$, $V_{ID} = -200\text{ mV}$, (Figure 3)			0.4	V
I_{OZR}	3-state (high impedance) output current at receiver	$V_{CC} = 3.6\text{ V}$, $V_O = 0\text{ V to }V_{CC}$			± 1	μA
R_{RIN}	Receiver input resistance	$V_{CM} = -7\text{ V to }12\text{ V}$	24			$\text{k}\Omega$
I_{OSR}	Receiver short-circuit current	$V_{RO} = 0\text{ V to }V_{CC}$	7		60	mA

Table 11. Driver switching characteristics ($V_{CC} = 3\text{ V to }3.6\text{ V}$, $T_A = -40\text{ to }105\text{ }^\circ\text{C}$, unless otherwise specified. Typical values are referred to $T_A = 25\text{ }^\circ\text{C}$)⁽¹⁾

Symbol	Parameter	Test conditions	Min.	Typ.	Max.	Unit
D_R	Maximum data rate		20			Mbps
t_{DD}	Differential output delay	$R_L = 60\ \Omega$, $C_L = 15\text{ pF}$, (Figure 4 and Figure 5)		18	30	ns
t_{TD}	Differential output transition time	$R_L = 60\ \Omega$, $C_L = 15\text{ pF}$, (Figure 4 and Figure 5)		12	20	ns
t_{PLH} t_{PHL}	Propagation delay	$R_L = 27\ \Omega$, $C_L = 15\text{ pF}$, (Figure 8 and Figure 9)		18	30	ns
t_{PDS}	$ t_{PLH} - t_{PHL} $ Propagation delay skew ⁽²⁾	$R_L = 27\ \Omega$, $C_L = 15\text{ pF}$, (Figure 8 and Figure 9)		2	5	ns
t_{PZL}	Output enable time	$R_L = 110\ \Omega$, (Figure 10 and Figure 11)		19	35	ns
t_{PZH}	Output enable time	$R_L = 110\ \Omega$, (Figure 6 and Figure 7)		30	50	ns
t_{PHZ}	Output disable time	$R_L = 110\ \Omega$, (Figure 6 and Figure 7)		19	35	ns
t_{PLZ}	Output disable time	$R_L = 110\ \Omega$, (Figure 10 and Figure 11)		30	50	ns
t_{SKEW}	Differential output delay skew			1	3	ns
$t_{ZH(SHDN)}$	Driver enable from shutdown to output high			30	50	ns
$t_{ZL(SHDN)}$	Driver enable from shutdown to output low			19	35	ns

1. The transceivers are put into shutdown by bring RE high and DE low. If the input are in state for less than 80 ns, the part are guaranteed not to enter shutdown. If the inputs are in this state for at least 300 ns, the parts are guaranteed to have entered shutdown.

2. Measured on $|t_{PLH}(A) - t_{PHL}(A)|$ and $|t_{PLH}(B) - t_{PHL}(B)|$.

Table 12. Receiver switching characteristics ($V_{CC} = 3\text{ V}$ to 3.6 V , $T_A = -40$ to $105\text{ }^\circ\text{C}$, unless otherwise specified. Typical values are referred to $T_A = 25\text{ }^\circ\text{C}$)⁽¹⁾

Symbol	Parameter	Test conditions	Min.	Typ.	Max.	Unit
t_{PLH} t_{PHL}	Propagation delay	$V_{ID} = 0\text{ V}$ to 3 V , $C_{L1} = 15\text{ pF}$ (<i>Figure 12</i> and <i>Figure 13</i>)		30	50	ns
t_{RPDS}	$ t_{PLH} - t_{PHL} $ Propagation delay skew	$V_{ID} = 0\text{ V}$ to 3 V , $C_{L1} = 15\text{ pF}$ (<i>Figure 12</i> and <i>Figure 13</i>)		1	3	ns
t_{PZL}	Output enable time	$C_{RL} = 15\text{ pF}$, (<i>Figure 14</i> and <i>Figure 18</i>)		10	20	ns
t_{PZH}	Output enable time	$C_{RL} = 15\text{ pF}$, (<i>Figure 14</i> and <i>Figure 18</i>)		10	20	ns
t_{PHZ}	Output disable time	$C_{RL} = 15\text{ pF}$, (<i>Figure 14</i> and <i>Figure 18</i>)		10	20	ns
t_{PLZ}	Output disable time	$C_{RL} = 15\text{ pF}$, (<i>Figure 14</i> and <i>Figure 18</i>)		10	20	ns
$t_{ZH(SHDN)}$	Receiver enable from shutdown to output high	$C_{RL} = 15\text{ pF}$, (<i>Figure 14</i> and <i>Figure 18</i>)		10	20	ns
$t_{ZL(SHDN)}$	Receiver enable from shutdown to output low	$C_{RL} = 15\text{ pF}$, (<i>Figure 14</i> and <i>Figure 18</i>)		20	40	μs

1. The transceivers are put into shutdown by bring RE high and DE low. If the input are in state for less than 80 ns, the part are guaranteed not to enter shutdown. If the inputs are in this state for at least 300 ns, the parts are guaranteed to have entered shutdown.

5 Test circuits and typical characteristics

Figure 2. Driver and V_{OC} test load

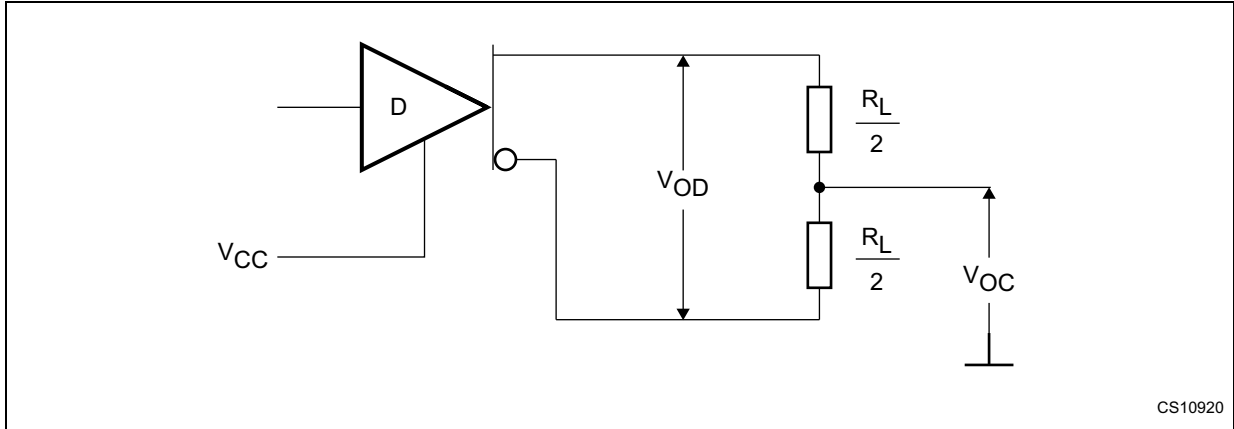


Figure 3. Driver V_{OD} with varying common mode voltage test load

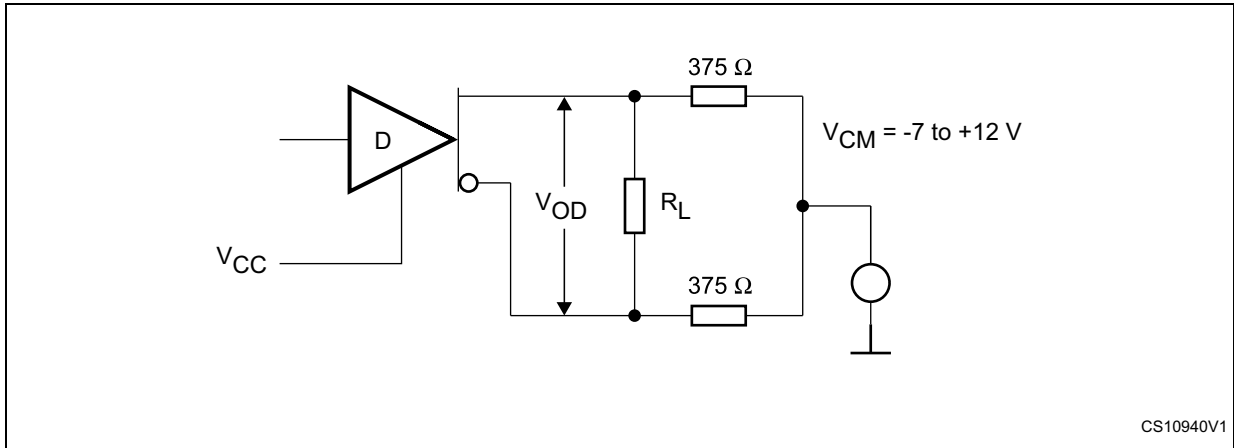


Figure 4. Receiver V_{OH} and V_{OL} test circuit

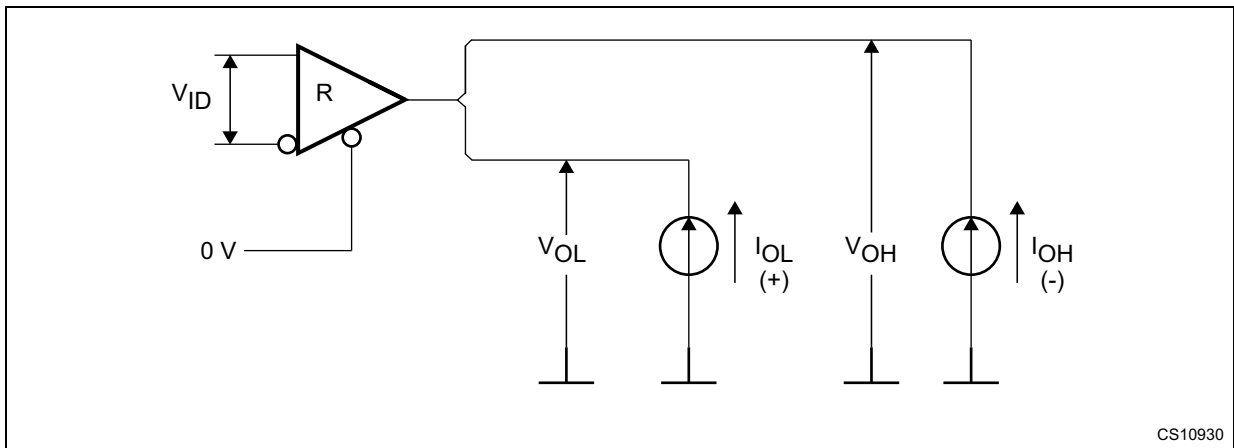
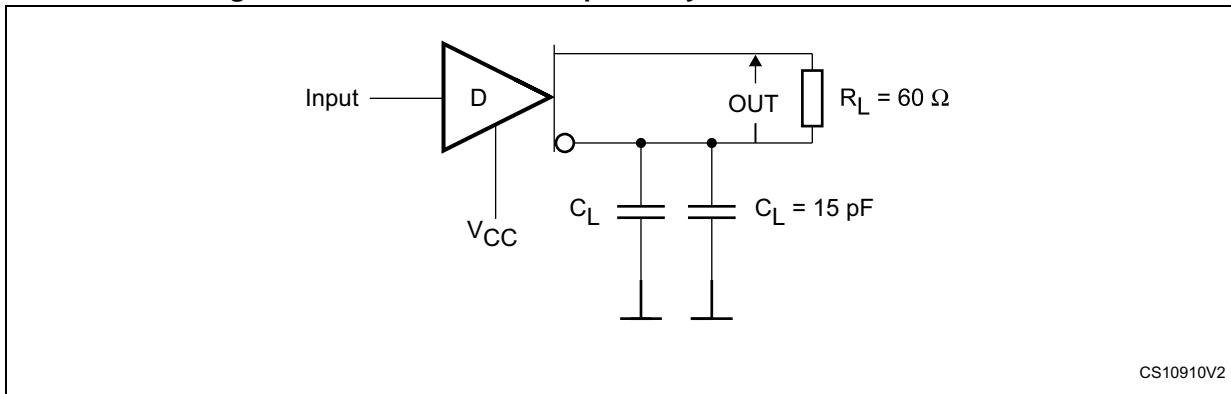
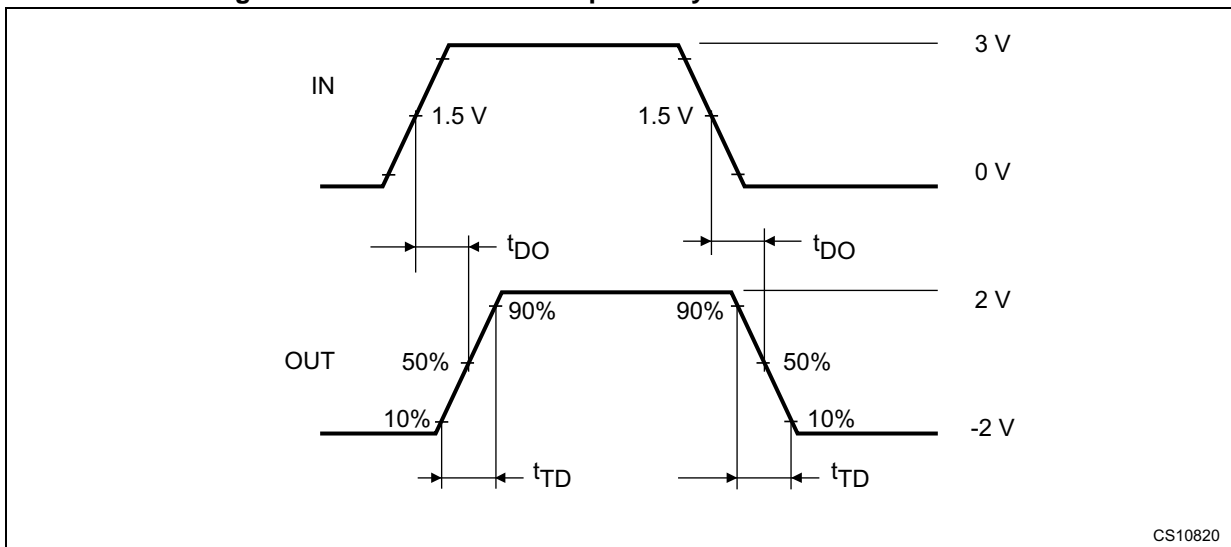


Figure 5. Drive differential output delay transition time test circuit



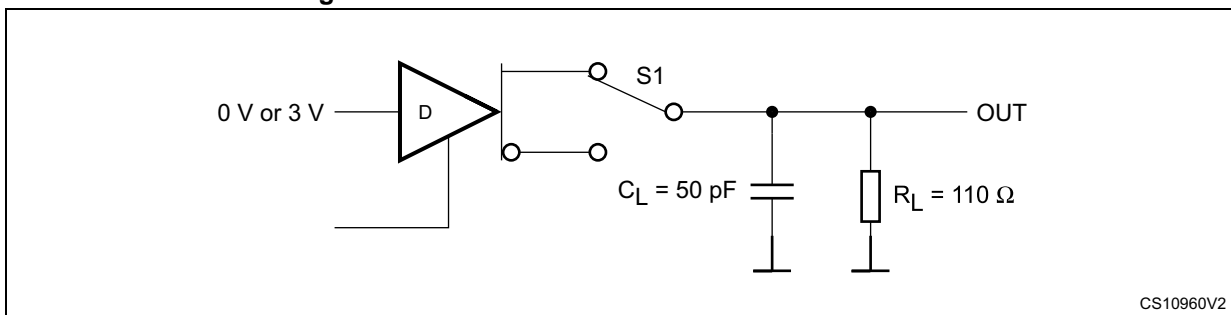
CS10910V2

Figure 6. Drive differential output delay transition time waveform



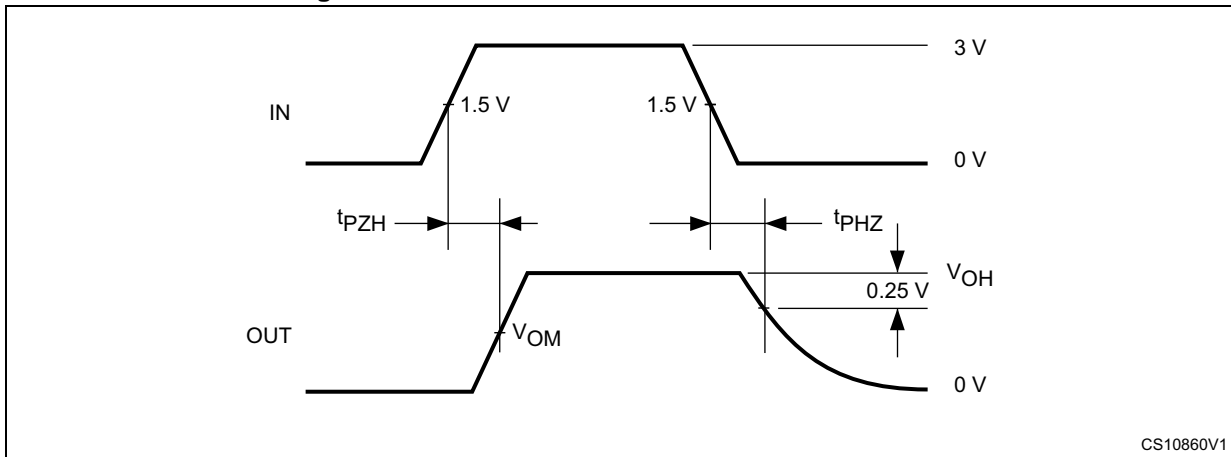
CS10820

Figure 7. Drive enable and disable times test circuit



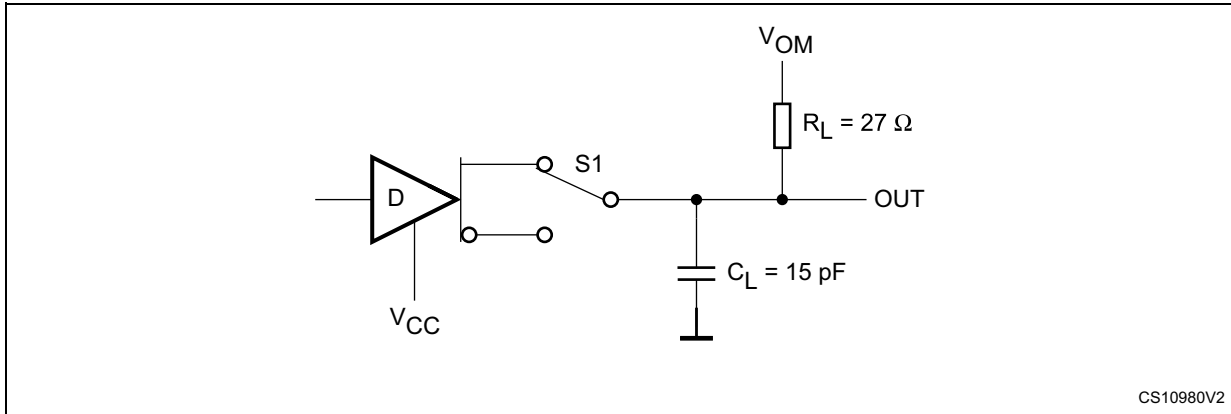
CS10960V2

Figure 8. Drive enable and disable times waveforms



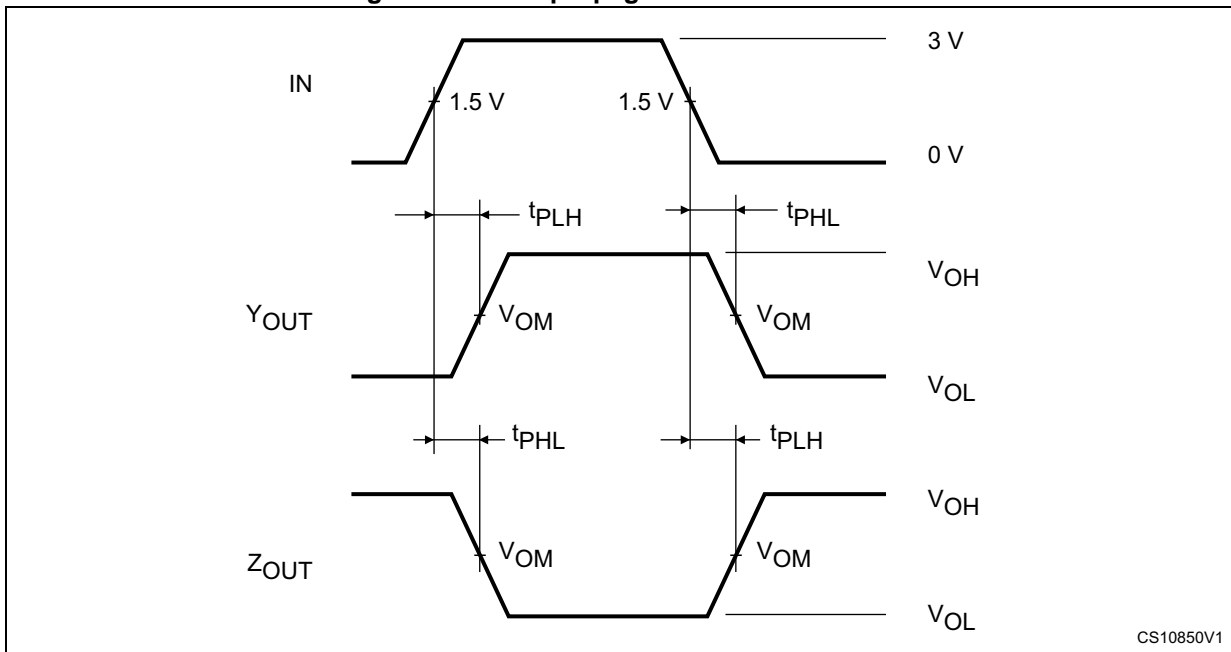
CS10860V1

Figure 9. Drive propagation time test circuit



CS10980V2

Figure 10. Drive propagation time waveform



CS10850V1

Figure 11. Drive enable and disable times test circuit

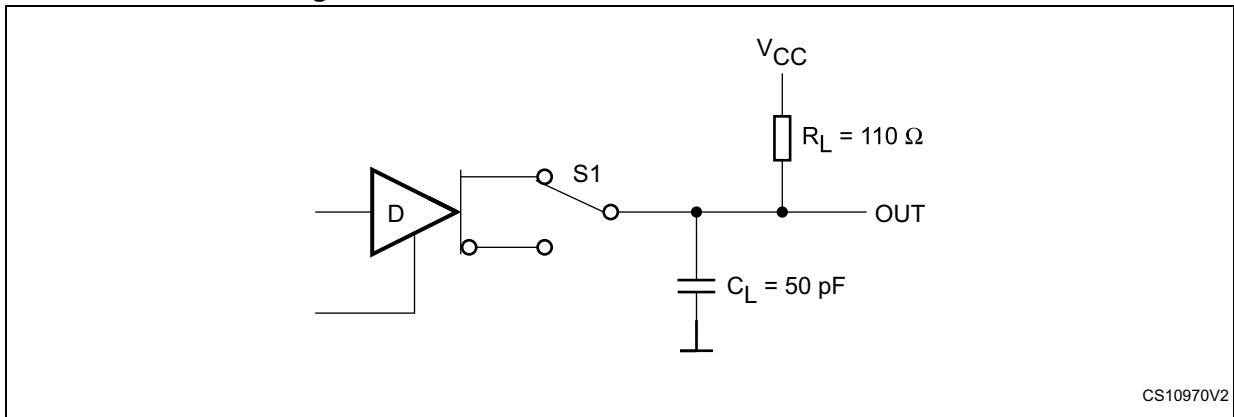


Figure 12. Drive enable and disable times waveforms

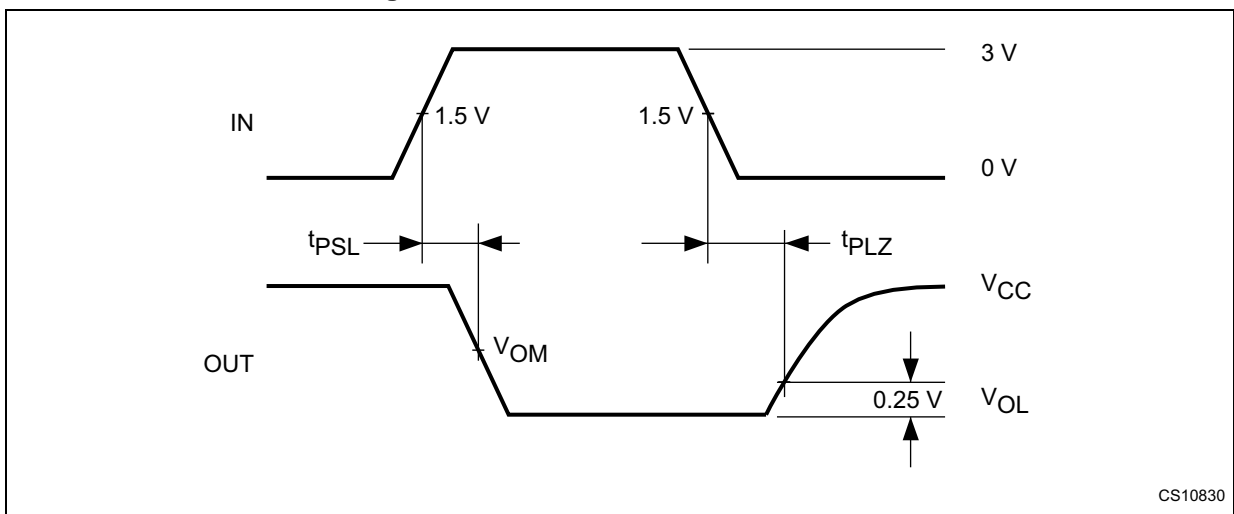


Figure 13. Receiver propagation delay time test circuit

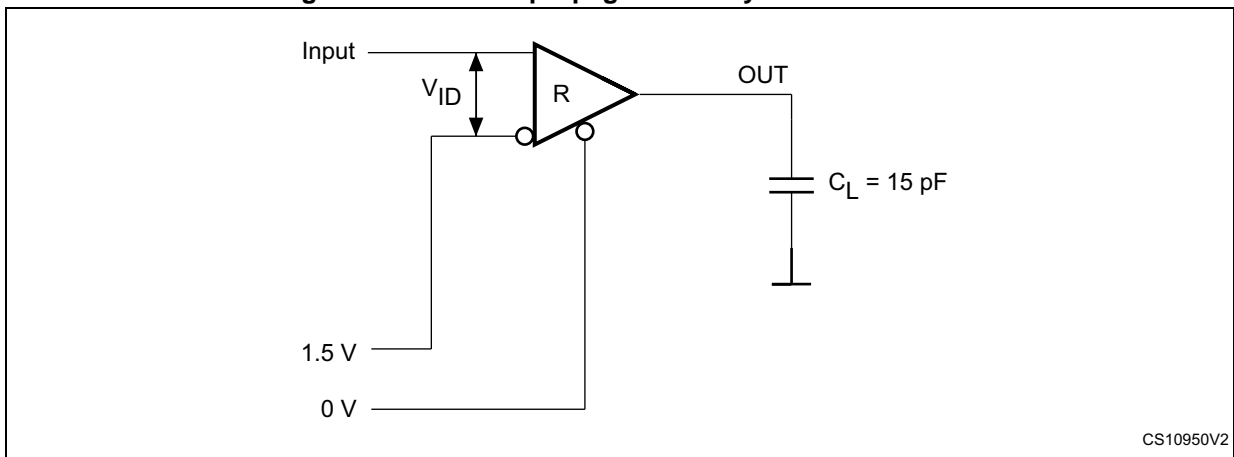


Figure 14. Receiver propagation delay time waveforms

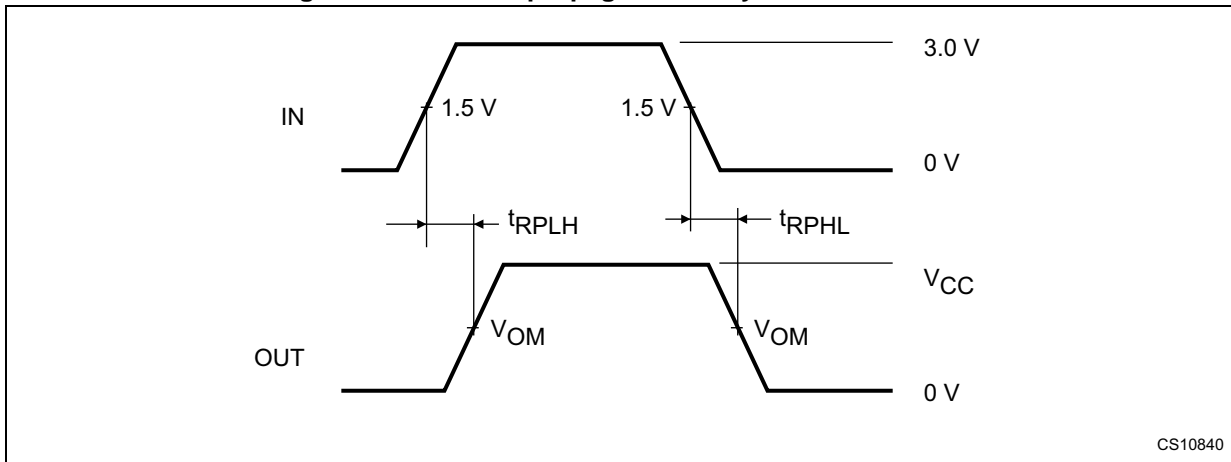


Figure 15. Receiver enable and disable times test circuit

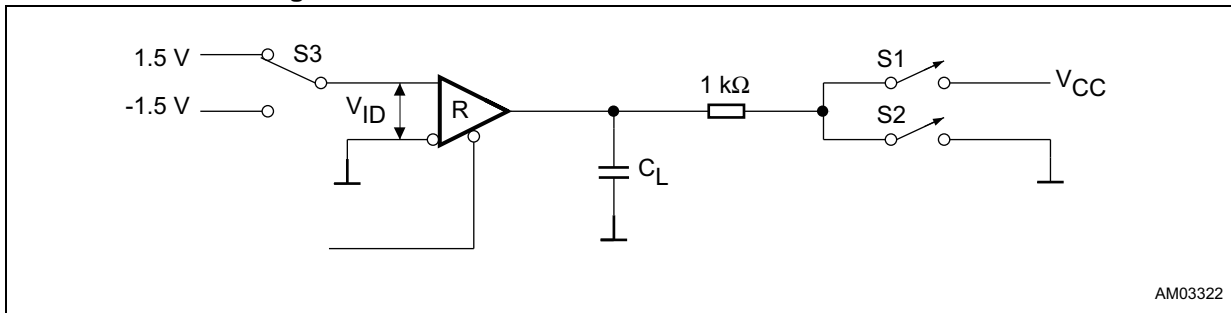
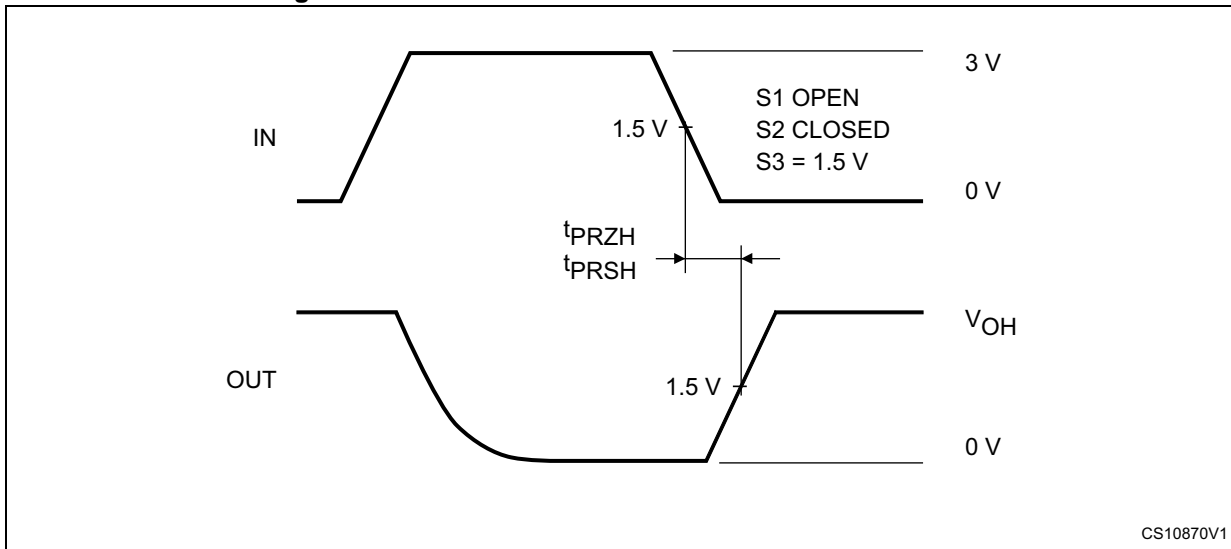


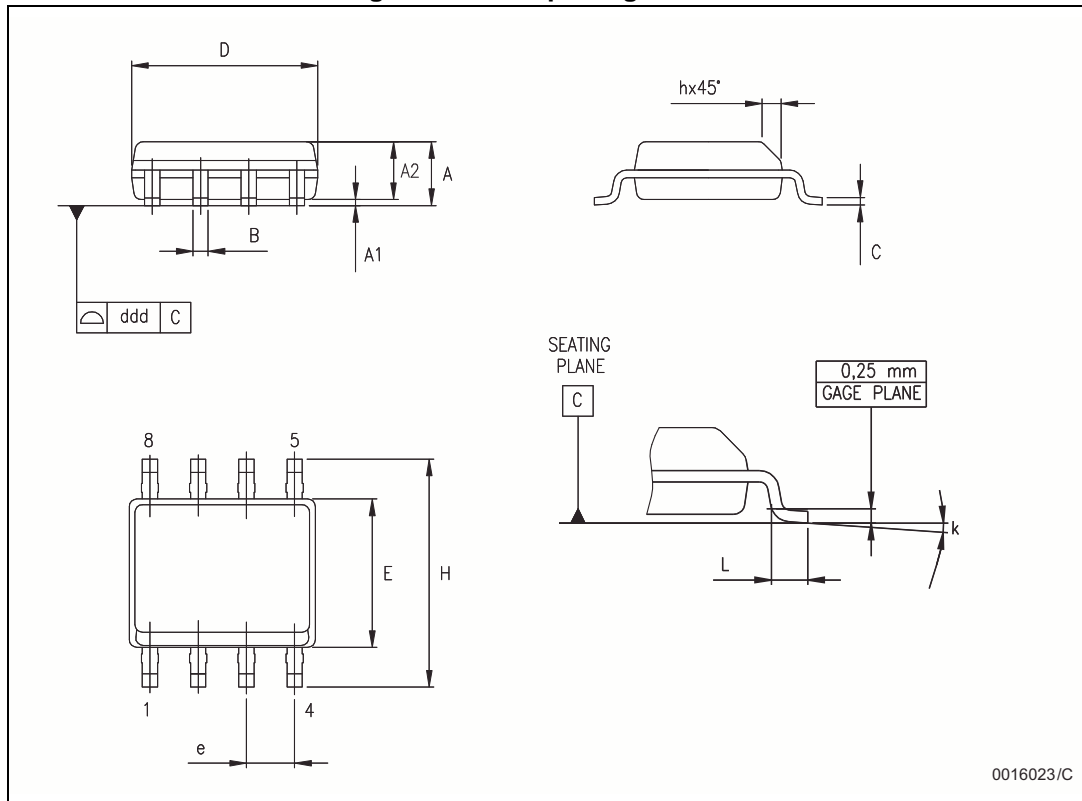
Figure 16. Receiver enable and disable times waveform



6 Package mechanical data

In order to meet environmental requirements, ST offers these devices in different grades of ECOPACK® packages, depending on their level of environmental compliance. ECOPACK specifications, grade definitions and product status are available at: www.st.com. ECOPACK is an ST trademark.

Figure 17. SO-8 package outline



0016023/C

Table 13. SO-8 package mechanical data

Symbol	Dimensions					
	mm			inch		
	Min.	Typ.	Max.	Min.	Typ.	Max.
A	1.35		1.75	0.053		0.069
A1	0.10		0.25	0.04		0.010
A2	1.10		1.65	0.043		0.065
B	0.33		0.51	0.013		0.020
C	0.19		0.25	0.007		0.010
D	4.80		5.00	0.189		0.197
E	3.80		4.00	0.150		0.157
e		1.27			0.050	
H	5.80		6.20	0.228		0.244
h	0.25		0.50	0.010		0.020
L	0.40		1.27	0.016		0.050
k	8° (max.)					
ddd			0.1			0.04

Figure 18. Tape and reel SO-8 outline

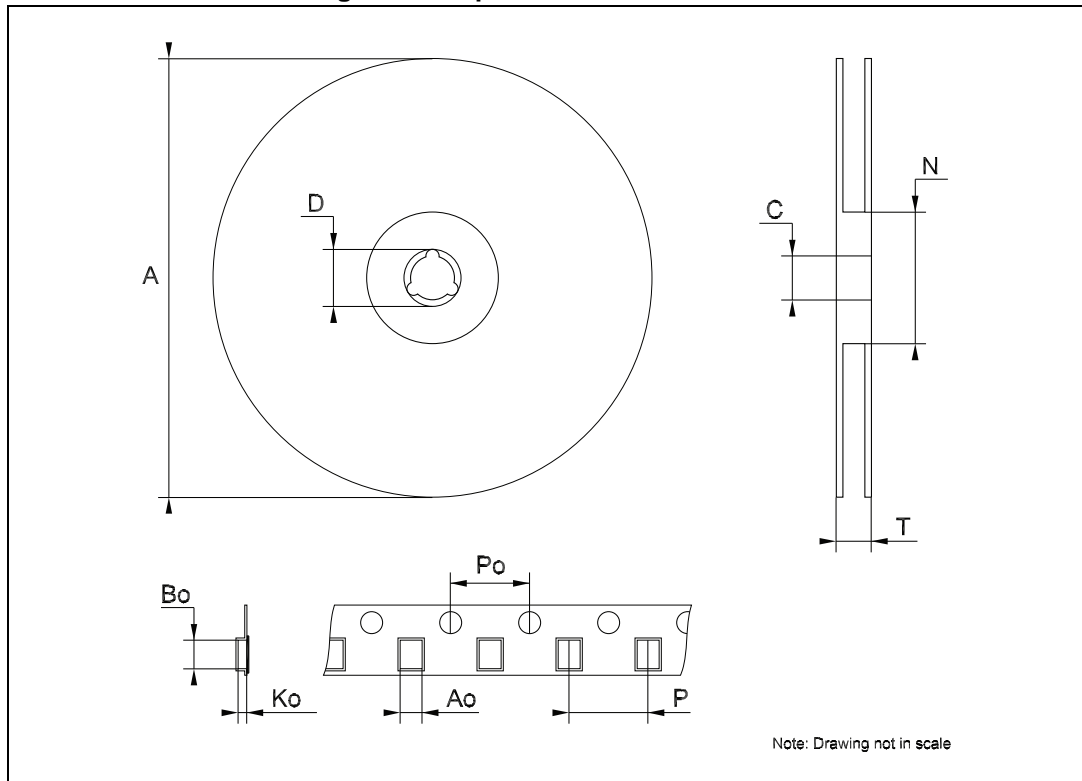


Table 14. Tape and reel SO-8 mechanical data

Symbol	Dimensions					
	mm			inch		
	Min.	Typ.	Max.	Min.	Typ.	Max.
A			330			12.992
C	12.8		13.2	0.504		0.519
D	20.2			0.795		
N	60			2.362		
T			22.4			0.882
Ao	8.1		8.5	0.319		0.335
Bo	5.5		5.9	0.216		0.232
Ko	2.1		2.3	0.082		0.090
Po	3.9		4.1	0.153		0.161
P	7.9		8.1	0.311		0.319

7 Revision history

Table 15. Document revision history

Date	Revision	Changes
26-Aug-2013	1	Initial release.
05-Sep-2013	2	Updated document status to "production data". Updated Figure 2 to Figure 16 (minor corrections: removed "+", added subscripts, unified/modified line shapes and thickness, fonts). Minor modifications throughout document.
22-Jun-2017	3	Corrected the unit of measure for the ΔV_{TH} parameter in Table 10 .

IMPORTANT NOTICE – PLEASE READ CAREFULLY

STMicroelectronics NV and its subsidiaries ("ST") reserve the right to make changes, corrections, enhancements, modifications, and improvements to ST products and/or to this document at any time without notice. Purchasers should obtain the latest relevant information on ST products before placing orders. ST products are sold pursuant to ST's terms and conditions of sale in place at the time of order acknowledgement.

Purchasers are solely responsible for the choice, selection, and use of ST products and ST assumes no liability for application assistance or the design of Purchasers' products.

No license, express or implied, to any intellectual property right is granted by ST herein.

Resale of ST products with provisions different from the information set forth herein shall void any warranty granted by ST for such product.

ST and the ST logo are trademarks of ST. All other product or service names are the property of their respective owners.

Information in this document supersedes and replaces information previously supplied in any prior versions of this document.

© 2017 STMicroelectronics – All rights reserved

Looking for pricing, stock, or lifecycle information?

Click below to explore more details on WIN SOURCE:

-  [View ST4485EBDR on WIN SOURCE](#)
-  [STMicroelectronics Information](#)

Optimize Your Supply Chain with WIN SOURCE Solutions

-  Global Sourcing Solution
-  Obsolete Management
-  Cost Control Management
-  Shortage Management
-  Alternative Solution
-  Excess Inventory Management