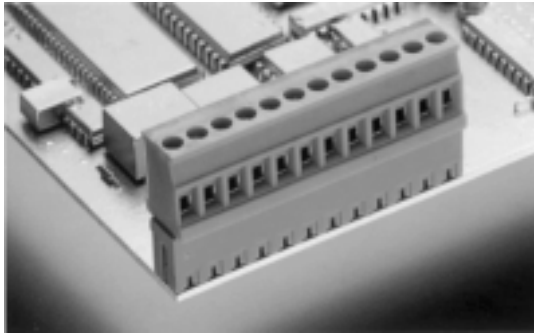




**THE DATASHEET OF
EDZ1110/3**



ED1110/X (5.0 mm) EDZ1110/X(5.08 mm)



2-20 (16) poles, Spacing 5.0 mm or 5.08 mm
insert required no. of poles **X**
How to order see page 5



Ratings:

Rated Voltage	300 V	300 V	250 V
Rated Current	15 A	12 A	12 A (T60)
Wire Size	AWG 22-10	AWG 22-10	2.5 mm ²
Test Voltage			4 kV/3
Rated Torque/ScrewSize			0.5 Nm/M3

Max. Rated Cross Section

Single Wire (solid)	2.5 mm ²
Stranded Wire (flexible)	2.5 mm ²
Stranded wire with Ferrules	2.5 mm ²

Dimensions

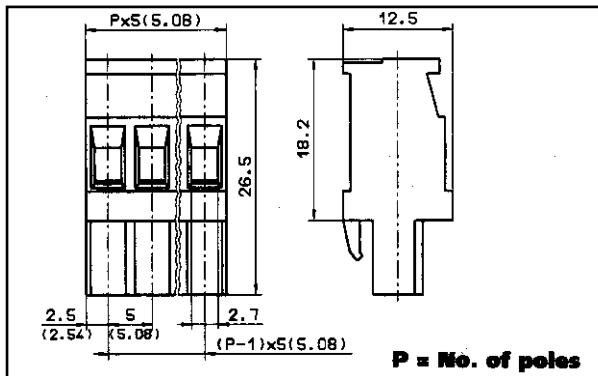
Spacing	5.0 mm (5.08 mm)
Stripped Length	7.0 mm

Materials

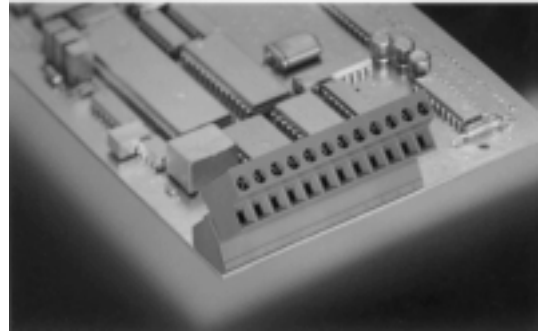
Insulating Material	PA
Flammability Class	UL94 V-0
Temperature Range	-30°C/+105°C
Terminal Block	CuZn
Contact	CuSn

Color

Green



EDZ1200/X



2-24 poles, Spacing 5.08 mm
insert required no. of poles **X**
How to order see page 5



Ratings:

Rated Voltage	300V	250 V
Rated Current	15 A	12 A (T60)
Wire Size	AWG 22-12	2.5 mm ²
Rating Impulse Voltage/Dirt Level		4 kV/3
Rated Torque/Screw Size		0.5 Nm/M2.5

Max. Rated Cross Section

Single Wire (solid)	2.5 mm ²
Stranded Wire (flexible)	2.5 mm ²
Stranded wire with Ferrules	2.5 mm ²

Dimensions

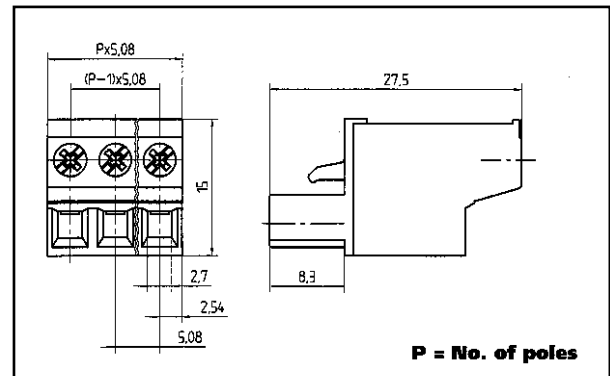
Spacing	5.08 mm
Stripped Length	10.0 mm

Materials

Insulating Material	PA
Flammability Class	UL94 V-0
Temperature Range	-30°C/+105°C
Clamp Cage	Fe/Fe
Contact	CuSn

Color

Green



Looking for pricing, stock, or lifecycle information?

Click below to explore more details on WIN SOURCE:

- ⊖ [View EDZ1110/3 on WIN SOURCE](#)
- ⊖ [On Shore Technology Inc. Information](#)

Optimize Your Supply Chain with WIN SOURCE Solutions

- ✓ Global Sourcing Solution
- ✓ Obsolete Management
- ✓ Cost Control Management
- ✓ Shortage Management
- ✓ Alternative Solution
- ✓ Excess Inventory Management