

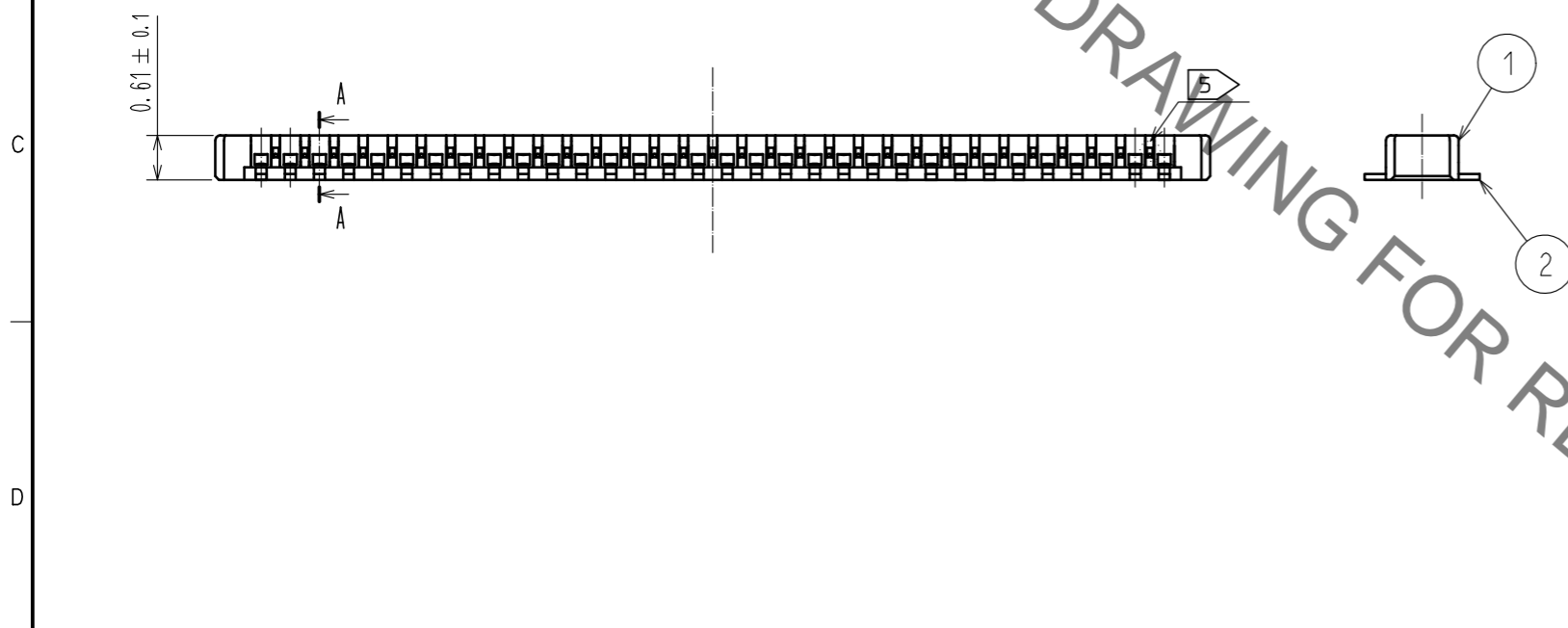
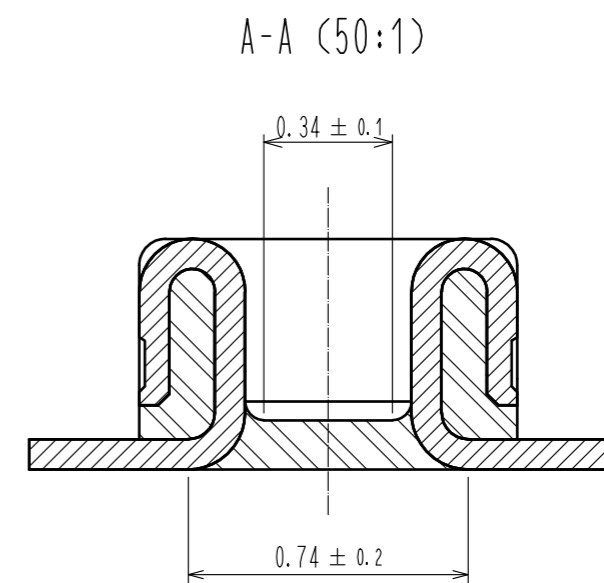
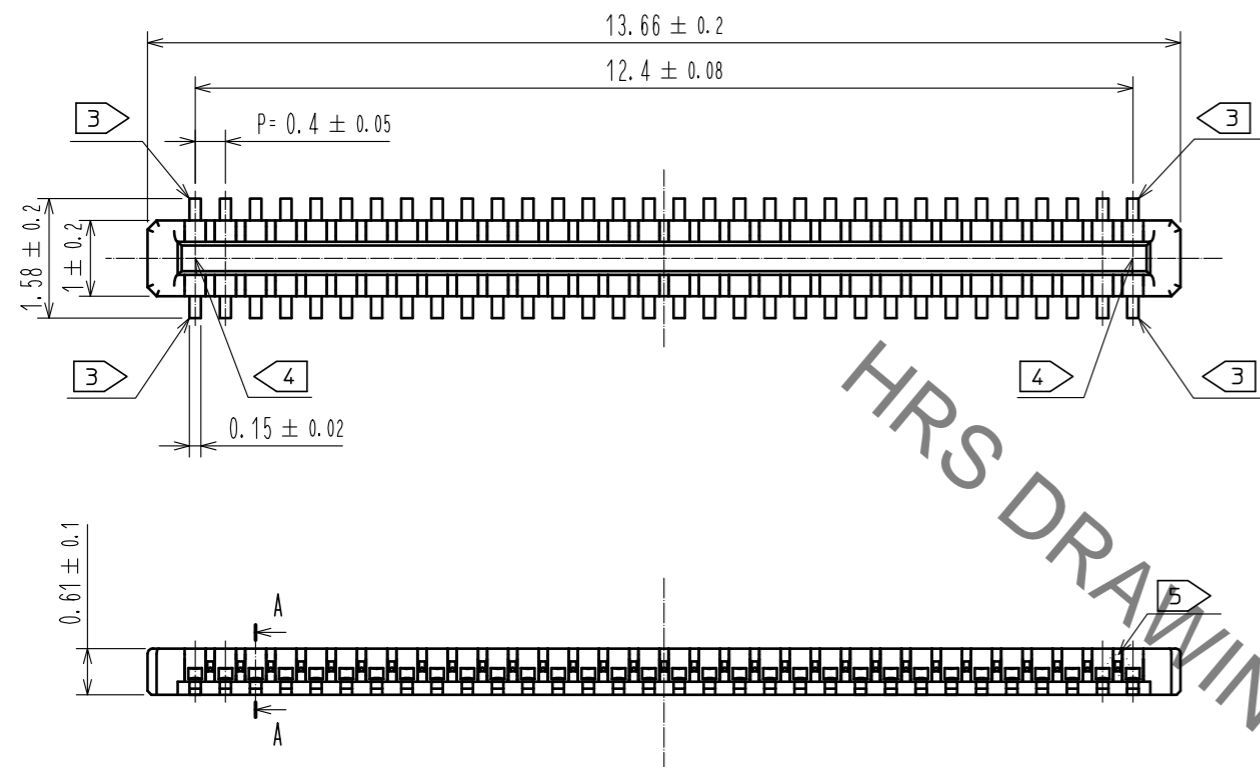


# THE DATASHEET OF

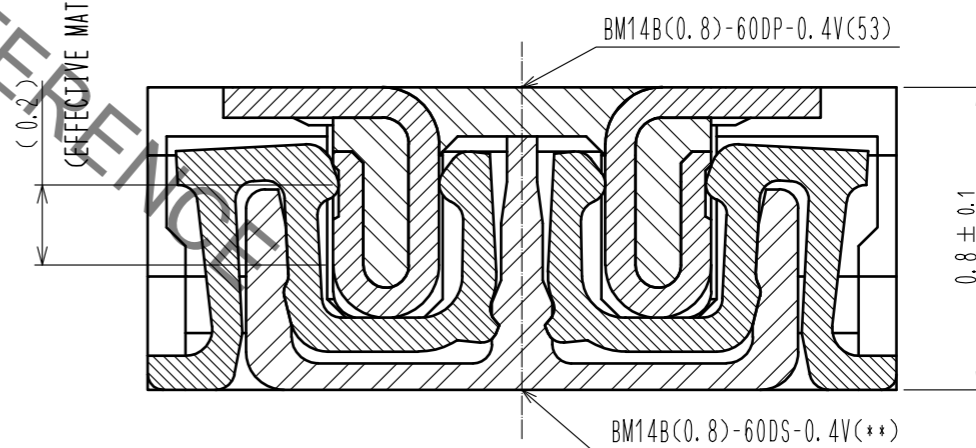
# BM14B(0.8)-60DP-0.4V(53)



Sep.1.2019 Copyright 2019 HIROSE ELECTRIC CO., LTD. All Rights Reserved.  
In case of consideration for using Automotive equipment / device which demand high reliability, kindly contact our sales window correspondents.



ENGAGEMENT FIGURE (50:1)

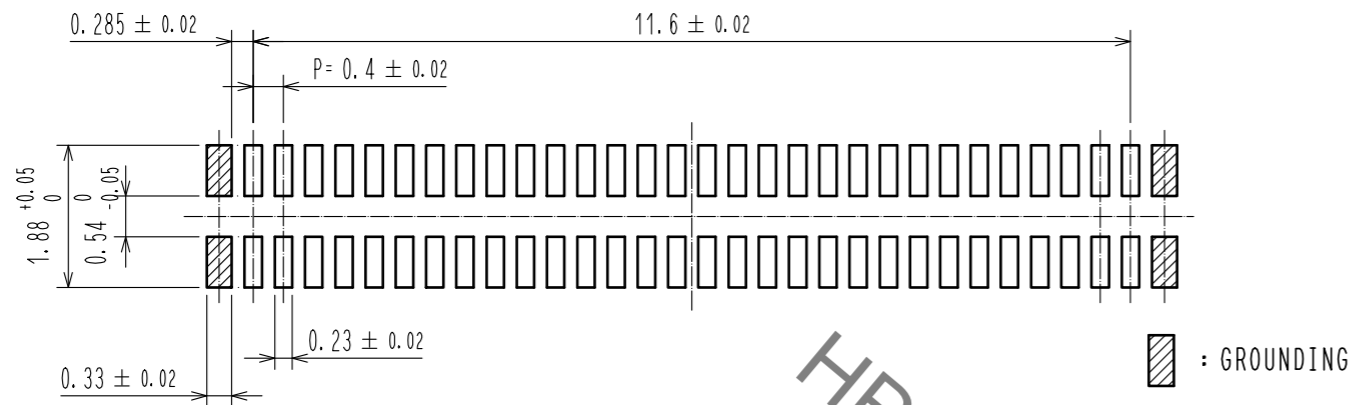


- NOTE) 1. ALL LEAD CO-PLANARITY SHALL BE 0.08mm MAX  
 2. CONTACT PLATING SPECIFICATIONS  
     CONTACT AREA : GOLD 0.05 μm MIN  
     SMT LEAD : GOLD 0.05 μm MIN  
     UNDERPLATING : NICKEL 1 μm MIN  
     (SURFACE : SEALING)  
 3. EACH CONTACTS AT 4 CORNERS ARE PROVIDED FOR METAL FITTINGS AND GROUNDING PURPOSE.  
 4. HRS MARK AND CAV No. ARE INDICATED IN APPROX POSITION SHOWN.  
 5. A PART OF THE WALL COULD BE NOTCHED.

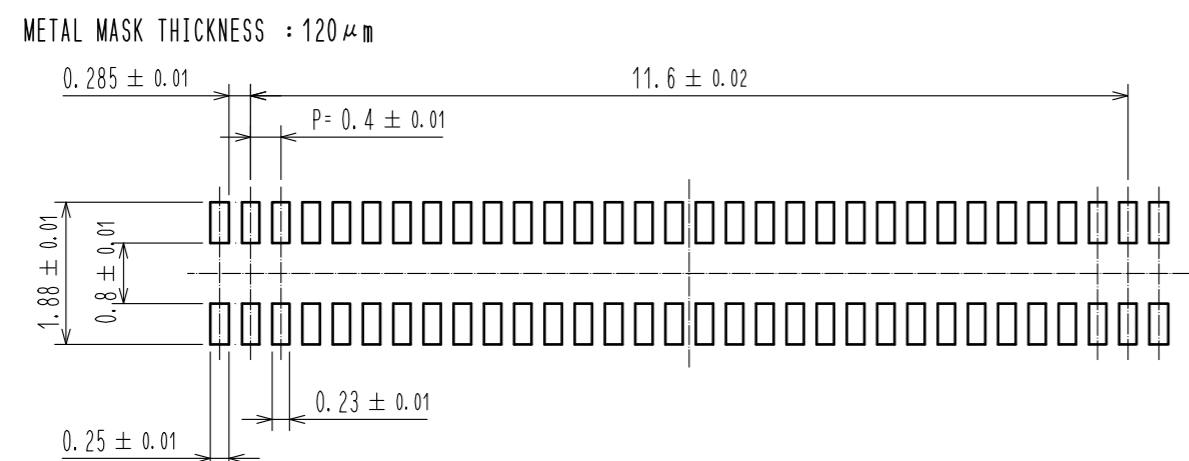
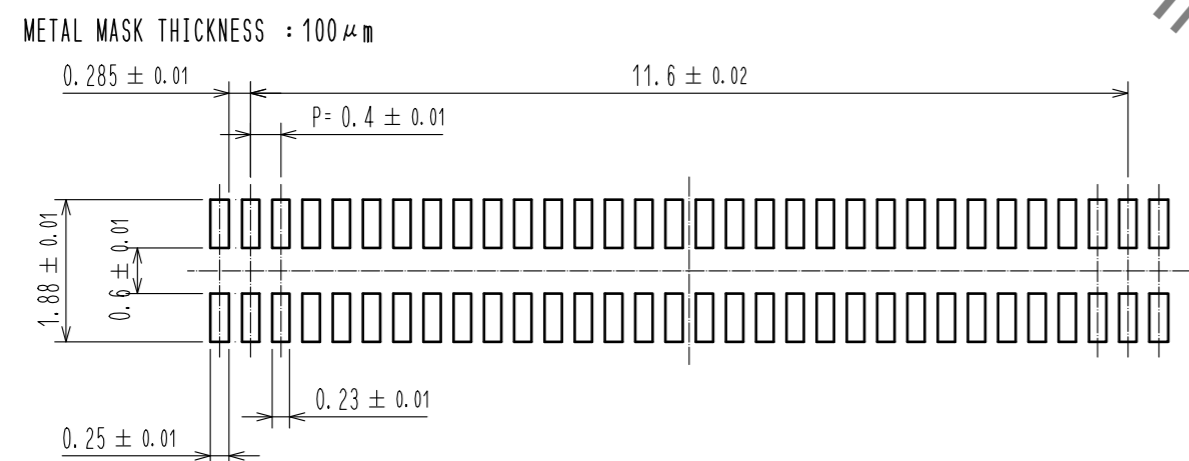
| 3                                    | PS              | CLEAR (ENBOSSED CARRIER TAPE) | 6        | PS                                | CLEAR (REINFORCEMENT COLLAR) |          |         |      |
|--------------------------------------|-----------------|-------------------------------|----------|-----------------------------------|------------------------------|----------|---------|------|
| 2                                    | PHOSPHOR BRONZE | 2                             | 5        | PS                                | BLACK (PLASTIC REEL)         |          |         |      |
| 1                                    | LCP             | UL94 V-0, BLACK               | 4        | POLYESTER                         | CLEAR (COVER TAPE)           |          |         |      |
| NO.                                  | MATERIAL        | FINISH . REMARKS              | NO.      | MATERIAL                          | FINISH . REMARKS             |          |         |      |
| UNITS                                | mm              | SCALE                         | 10:1     | COUNT                             | DESCRIPTION OF REVISIONS     | DESIGNED | CHECKED | DATE |
| <b>HRS</b> HIROSE ELECTRIC CO., LTD. |                 | APPROVED : MO. ISHIDA         | 16.10.20 | DRAWING NO. EDC-318866-53-00      |                              |          |         |      |
|                                      |                 | CHECKED : TS. MIYAZAKI        | 16.10.20 | PART NO. BM14B(0.8)-60DP-0.4V(53) |                              |          |         |      |
|                                      |                 | DESIGNED : NY. YAMASHIRO      | 16.10.20 | CODE NO. CL684-8002-2-53          |                              |          |         |      |
|                                      |                 | DRAWN : SN. NUMAZAKI          | 16.10.20 |                                   |                              |          |         |      |

Sep.1.2019 Copyright 2019 HIROSE ELECTRIC CO., LTD. All Rights Reserved.  
 In case of consideration for using Automotive equipment / device which demand high reliability, kindly contact our sales window correspondents.

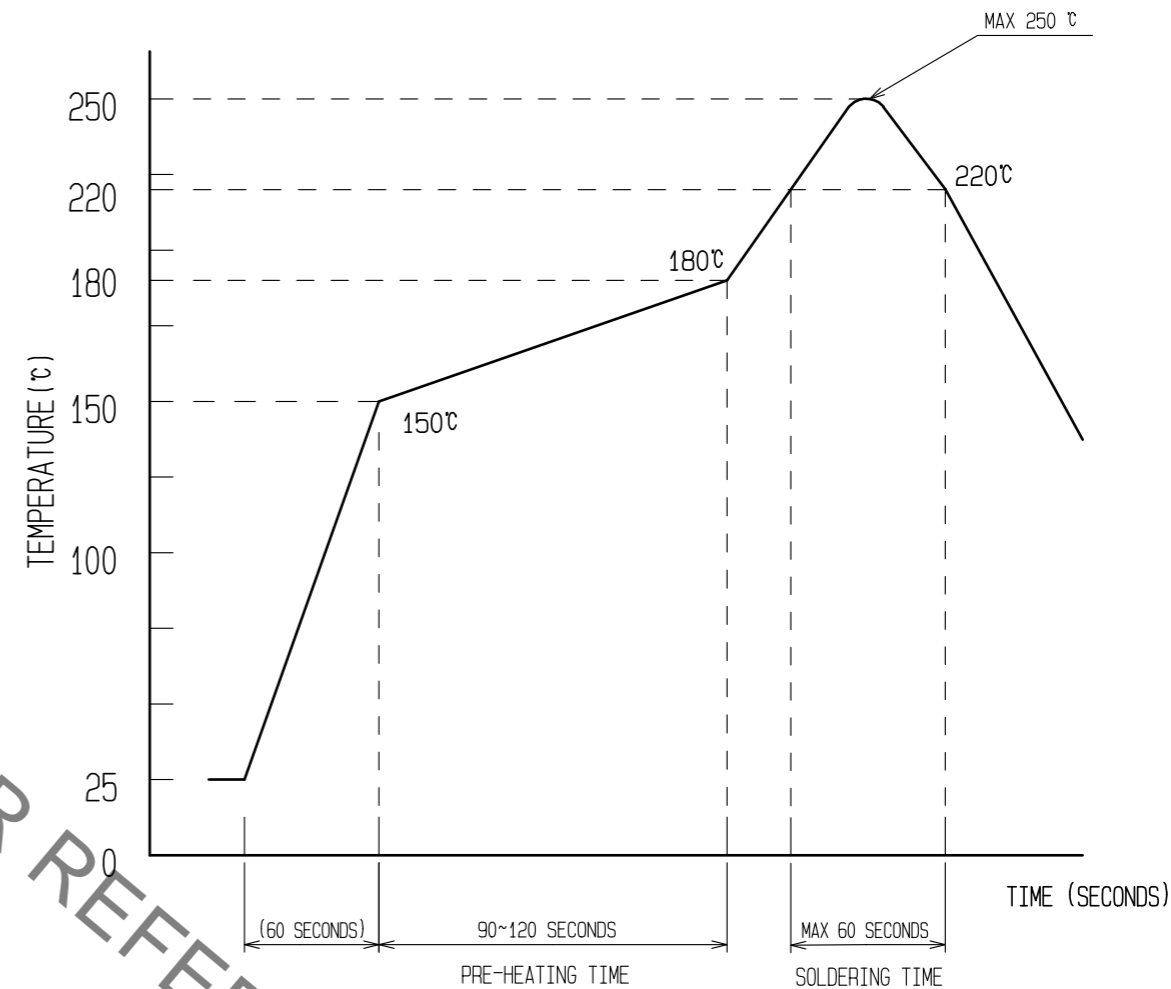
◆ RECOMMENDED PCB LAYOUT



◆ RECOMMENDED METAL MASK DIMENSIONS



⑥ RECOMMENDED REFLOW TEMPERATURE PROFILE USING LEAD-FREE SOLDER PASTE.



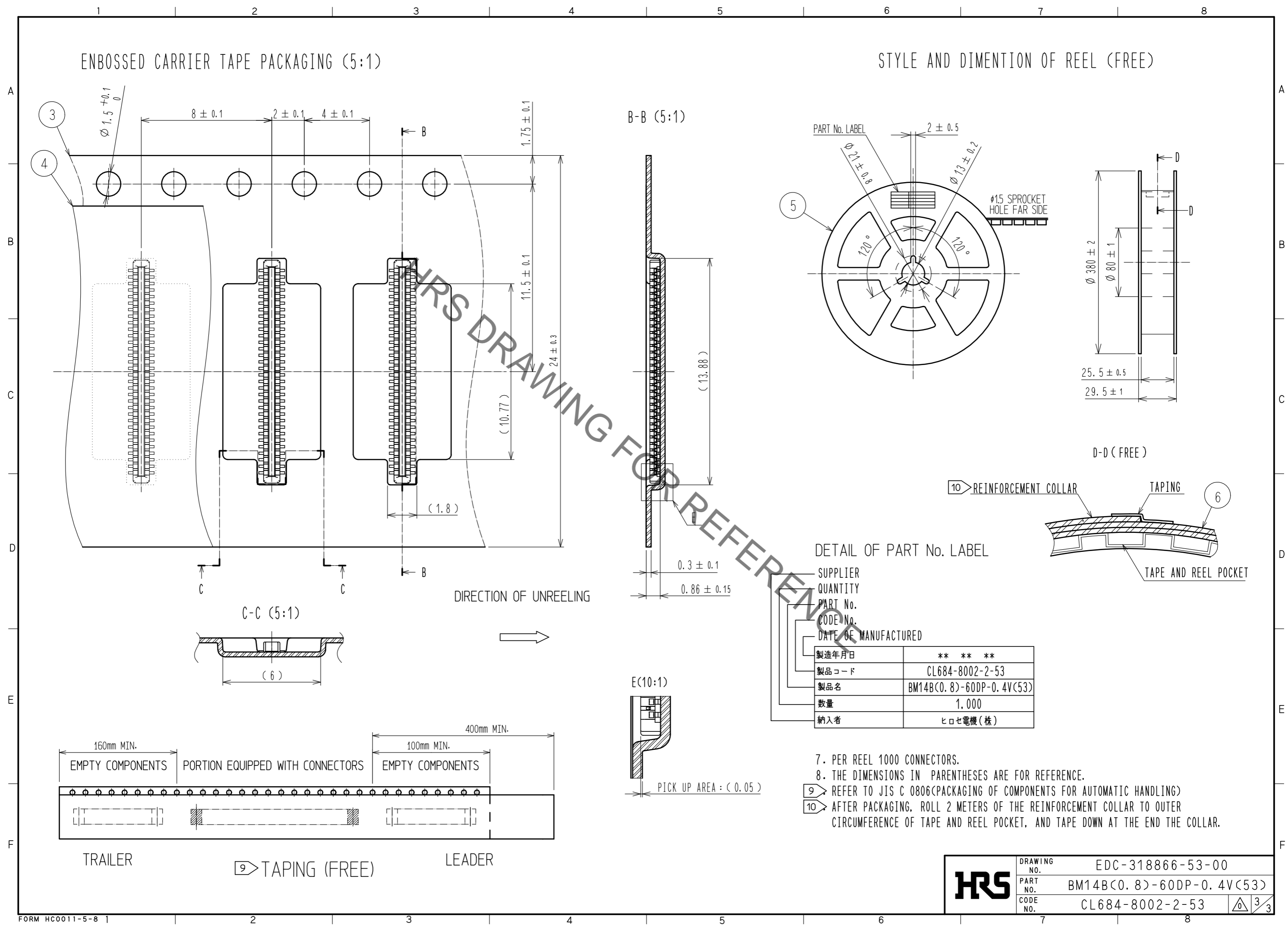
REFLOW METHOD: IR REFLOW  
 NUMBER OF REFLOW CYCLES: 2 CYCLES MAX.  
 1) REFLOW TIME  
 DURATION ABOVE 220°C, 60 SEC. MAX.  
 (PEAK TEMPERATURE: 250°C MAX)  
 2) PRE-HEAT TIME  
 PRE-HEAT TEMPERATURE(MIN): 150°C  
 PRE-HEAT TEMPERATURE(MAX): 180°C  
 PRE-HEAT TIME: 90-120 sec.

⑥ THIS TEMPERATURE PROFILE IS PER THE CONDITIONS SHOWN ABOVE. ADDITIONAL FACTORS, SUCH AS SOLDER PASTE TYPE, PCB SIZE AND OTHER MOUNTED COMPONENTS COULD AFFECT THE PROFILE, THEREFORE, A THOROUGH EVALUATION OF MOUNTING CONDITION IS REQUIRED PRIOR TO PRODUCTION. TEMPERATURE IS MEASURED AT CONTACT LEAD.

HRS DRAWING FOR REFERENCE

|            |             |                          |
|------------|-------------|--------------------------|
| <b>HRS</b> | DRAWING NO. | EDC-318866-53-00         |
|            | PART NO.    | BM14B(0.8)-60DP-0.4V(53) |
|            | CODE NO.    | CL684-8002-2-53          |

Sep.1.2019 Copyright 2019 HIROSE ELECTRIC CO., LTD. All Rights Reserved.  
In case of consideration for using Automotive equipment / device which demand high reliability, kindly contact our sales window correspondents.



DETAIL OF PART No. LABEL

SUPPLIER

QUANTITY

PART No.

CODE No.

DATE OF MANUFACTURED

|       |                          |
|-------|--------------------------|
| 製造年月日 | ** ** *                  |
| 製品コード | CL684-8002-2-53          |
| 製品名   | BM14B(0.8)-60DP-0.4V(53) |
| 数量    | 1,000                    |
| 納入者   | ヒロセ電機(株)                 |

- 7. PER REEL 1000 CONNECTORS.
- 8. THE DIMENSIONS IN PARENTHESES ARE FOR REFERENCE.
- 9 REFER TO JIS C 0806(PACKAGING OF COMPONENTS FOR AUTOMATIC HANDLING)
- 10 AFTER PACKAGING, ROLL 2 METERS OF THE REINFORCEMENT COLLAR TO OUTER CIRCUMFERENCE OF TAPE AND REEL POCKET, AND TAPE DOWN AT THE END THE COLLAR.

|            |             |                          |
|------------|-------------|--------------------------|
| <b>HRS</b> | DRAWING NO. | EDC-318866-53-00         |
|            | PART NO.    | BM14B(0.8)-60DP-0.4V(53) |
|            | CODE NO.    | CL684-8002-2-53          |
|            |             | △ 3/3                    |

## Looking for pricing, stock, or lifecycle information?

Click below to explore more details on WIN SOURCE:

- [View BM14B\(0.8\)-60DP-0.4V\(53\) on WIN SOURCE](#)
- [Hirose Electric Co Ltd Information](#)

## Optimize Your Supply Chain with WIN SOURCE Solutions

- ✓ Global Sourcing Solution
- ✓ Obsolete Management
- ✓ Cost Control Management
- ✓ Shortage Management
- ✓ Alternative Solution
- ✓ Excess Inventory Management