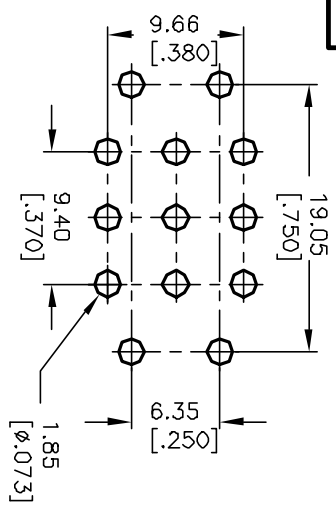


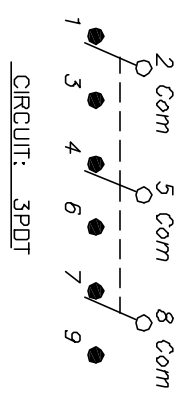


**THE DATASHEET OF
3003P2J2BLKM2QE**





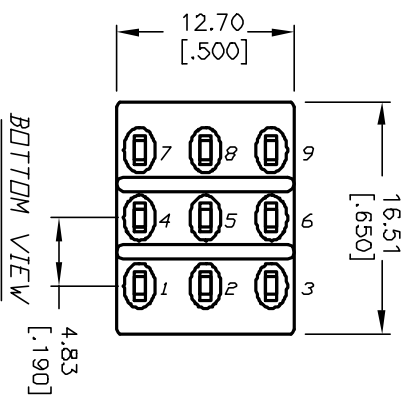
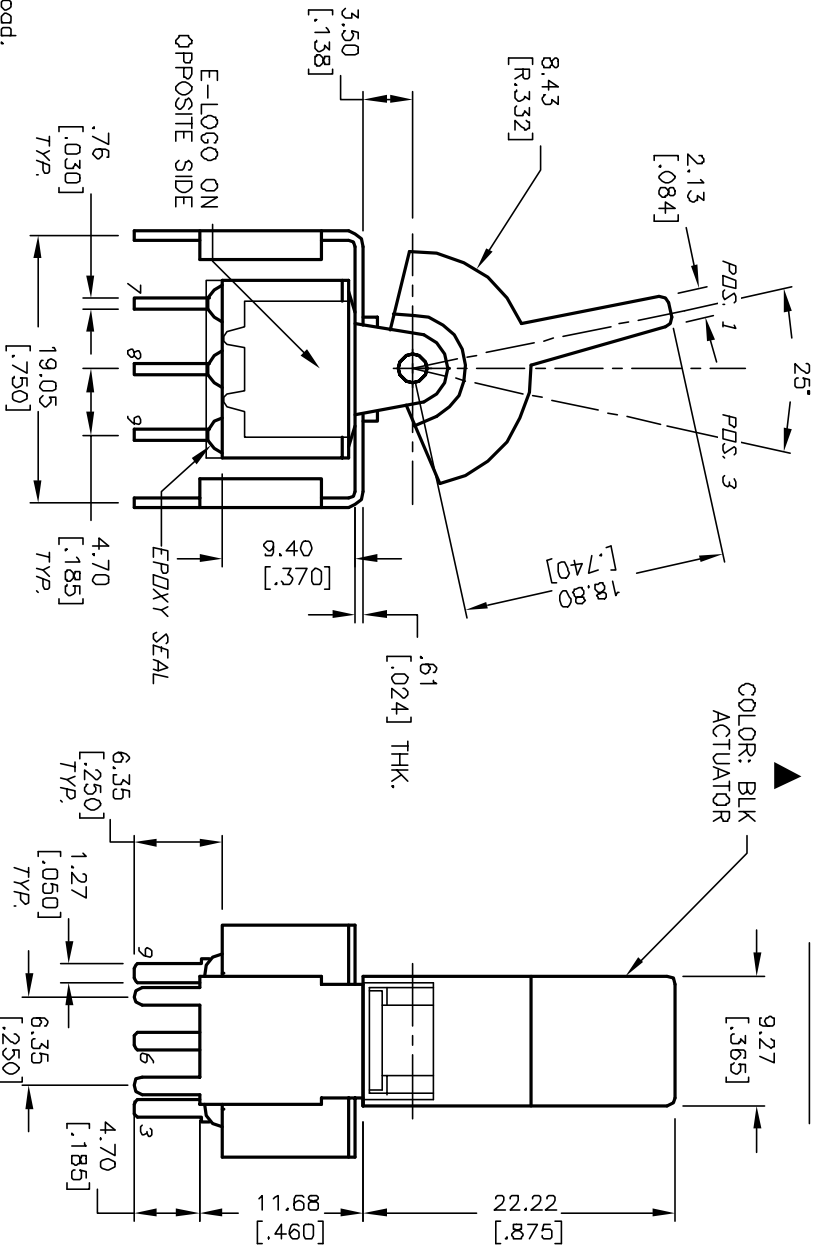
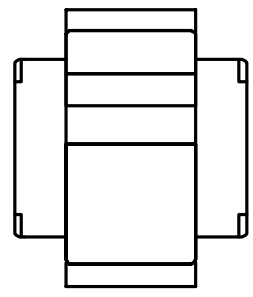
RECOMMENDED PANEL MOUNTING



SWITCH FUNCTION		
PDS. 1	PDS. 2	PDS. 3
DN	N/DNE	(DN)
2-3,5-6,8-9	DPEV	2-1,5-4,8-7

() = MOMENTARY

- NOTES:
1. ALL DIMENSIONS IN MM [INCH]
 2. GENERAL TOLERANCE: X.X=±0.4; X.XX=±0.25
 3. TERM. NOS. FOR REF. ONLY
 4. CONTACT RATING: 5A @120VAC or 28VDC; 2A @250VAC
 5. FIXED TERM/MOVING CONTACT: COPPER ALLOY W/SILVER PLATE.
 6. ELECTRICAL LIFE: 50,000 make-and-break cycles at full load.
 7. INSULATION RESISTANCE: 1,000M ohm min.
 8. DIELECTRIC STRENGTH: 1,000 V RMS @sec level
 9. OPERATION TEMP.: -30°C to +85°C
 10. ▲ DENOTES CRITICAL PARAMETER.



REV.	ECN No.	DESCRIPTION	DATE	CHKD
A	12954	RELEASED FOR PRODUCTION	3/25/03	AR

TITLE	SCALE	DATE	DR	DWG	REV
3003P2J2BLKM2QE	2:1	3/25/03	AR	T333005	A

E-SWITCH®

THE INFORMATION CONTAINED IN THIS DOCUMENT IS PROPRIETARY TO E-SWITCH AND IS NOT TO BE COPIED OR TRANSFERRED

Looking for pricing, stock, or lifecycle information?

Click below to explore more details on WIN SOURCE:

 [View 3003P2J2BLKM2QE on WIN SOURCE](#)

 [E-Switch Information](#)

Optimize Your Supply Chain with WIN SOURCE Solutions

-  Global Sourcing Solution
-  Obsolete Management
-  Cost Control Management
-  Shortage Management
-  Alternative Solution
-  Excess Inventory Management