



**THE DATASHEET OF  
ISL5120HZ-T**



## ISL5120, ISL5121, ISL5122, ISL5123

Low Voltage, Single Supply, Dual SPST, SPDT Analog Switches

FN6022  
Rev 8.00  
August 12, 2015

The Intersil [ISL5120](#), [ISL5121](#), [ISL5122](#), [ISL5123](#) devices are precision, bidirectional, dual analog switches designed to operate from a single +2.7V to +12V supply. Targeted applications include battery powered equipment that benefit from the devices' low power consumption (5μW), low leakage currents (100pA max), and fast switching speeds ( $t_{ON} = 28\text{ns}$ ,  $t_{OFF} = 20\text{ns}$ ). Cell phones, for example, often face ASIC functionality limitations. The number of analog input or GPIO pins may be limited and digital geometries are not well suited to analog switch performance. This family of parts may be used to "mux-in" additional functionality while reducing ASIC design risk. Some of the smallest packages are available, alleviating board space limitations and making Intersil's newest line of low-voltage switches an ideal solution.

The ISL5120, ISL5121, ISL5122 are dual single-pole/single-throw (SPST) devices. The ISL5120 has two normally open (NO) switches; the ISL5121 has two normally closed (NC) switches; the ISL5122 has one NO and one NC switch and can be used as an SPDT. The ISL5123 is a committed SPDT, which is perfect for use in 2-to-1 multiplexer applications.

**TABLE 1. FEATURES AT A GLANCE**

	ISL5120	ISL5121	ISL5122	ISL5123
<b>Number of Switches</b>	2	2	2	1
<b>SW 1/SW 2</b>	NO/NO	NC/NC	NO/NC	SPDT
<b>3.3V <math>R_{ON}</math></b>	32Ω	32Ω	32Ω	32Ω
<b>3.3V <math>t_{ON}/t_{OFF}</math></b>	40ns/20ns	40ns/20ns	40ns/20ns	40ns/20ns
<b>5V <math>R_{ON}</math></b>	19Ω	19Ω	19Ω	19Ω
<b>5V <math>t_{ON}/t_{OFF}</math></b>	28ns/20ns	28ns/20ns	28ns/20ns	28ns/20ns
<b>12V <math>R_{ON}</math></b>	11Ω	11Ω	11Ω	11Ω
<b>12V <math>t_{ON}/t_{OFF}</math></b>	25ns/17ns	25ns/17ns	25ns/17ns	25ns/17ns
<b>Packages</b>	8 Ld SOIC, 8 Ld SOT-23	8 Ld SOIC, 8 Ld SOT-23	8 Ld SOIC, 6 Ld SOT-23	8 Ld SOIC, 6 Ld SOT-23

## Related Literature

- [TB363](#), "Guidelines for Handling and Processing Moisture Sensitive Surface Mount Devices (SMDs)"

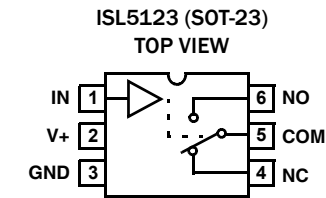
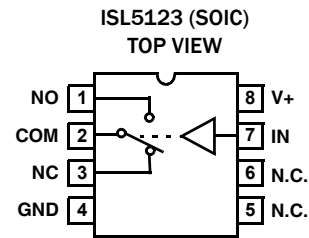
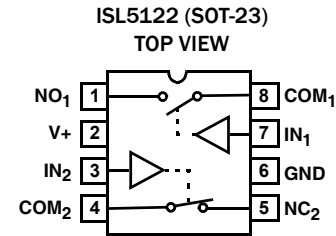
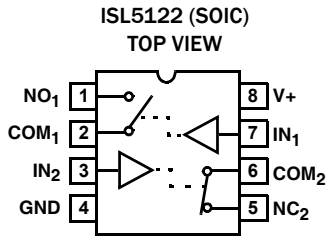
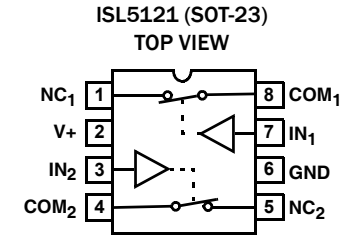
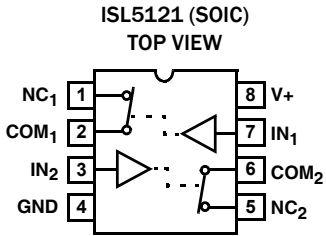
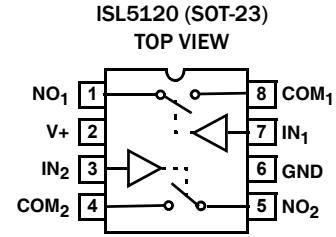
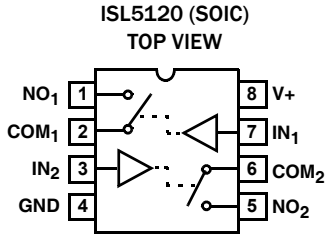
## Features

- Improved (lower  $r_{ON}$ , faster switching), pin compatible replacements for ISL84541, ISL84542, ISL84543, ISL84544
- Fully specified at 3.3V, 5V, and 12V supplies
- ON resistance ( $r_{ON}$ ) ..... 19Ω
- $r_{ON}$  matching between channels ..... ≤1Ω
- Low charge injection ..... 5pC (Max)
- Single supply operation ..... +2.7V to +12V
- Low power consumption ( $P_D$ ) ..... <5μW
- Low leakage current ..... 10nA
- Fast switching action
  - $t_{ON}$  ..... 28ns
  - $t_{OFF}$  ..... 20ns
- Guaranteed break-before-make (ISL5122/ISL5123 only)
- Minimum 2000V ESD protection per method 3015.7
- TTL, CMOS compatible
- Available in SOT-23 packaging
- Pb-free (RoHS compliant)

## Applications

- Battery powered, handheld and portable equipment
  - Cellular/mobile phones
  - Pagers
  - Laptops, notebooks, palmtops
- Communications systems
  - Military radios
  - PBX, PABX
- Test equipment
  - Ultrasound
  - Electrocardiograph
- Heads-up displays
- Audio and video switching
- Various circuits
  - +3V/+5V DACs and ADCs
  - Sample and hold circuits
  - Digital filters
  - Operational amplifier gain switching networks
  - High frequency analog switching
  - High speed multiplexing
  - Integrator reset circuits

## Pin Configurations (Note 1)



**NOTE:**

1. Switches Shown for Logic "0" Input.

## Truth Table

LOGIC	ISL5120	ISL5121	ISL5122		ISL5123	
	SW 1,2	SW 1,2	SW 1	SW 2	PIN NC	PIN NO
0	OFF	ON	OFF	ON	ON	OFF
1	ON	OFF	ON	OFF	OFF	ON

NOTE: Logic "0" ≤ 0.8V. Logic "1" ≥ 2.4V.

## Pin Descriptions

PIN	FUNCTION
V+	System Power Supply Input (+2.7V to +12V)
GND	Ground Connection
IN	Digital Control Input
COM	Analog Switch Common Pin
NO	Analog Switch Normally Open Pin
NC	Analog Switch Normally Closed Pin
N.C.	No Internal Connection

## Ordering Information

PART NUMBER (Notes 3, 4)	PART MARKING	TEMP RANGE (°C)	PACKAGE (RoHS Compliant)	PKG. DWG. #
ISL5120IHZ-T (Note 2)	I20Z (Note 5)	-40 to +85	8 Ld SOT-23	P8.064
ISL5121CBZ (No longer available, recommended replacement: ISL5120IHZ-T)	5121 CBZ	0 to +70	8 Ld SOIC	M8.15
ISL5121CBZ-T (Note 2) (No longer available, recommended replacement: ISL5120IHZ-T)	5121 CBZ	0 to +70	8 Ld SOIC	M8.15
ISL5121IBZ (No longer available, recommended replacement: ISL5120IHZ-T)	5121 IBZ	-40 to +85	8 Ld SOIC	M8.15
ISL5121IBZ-T (Note 2) (No longer available, recommended replacement: ISL5120IHZ-T)	5121 IBZ	-40 to +85	8 Ld SOIC	M8.15
ISL5121IHZ-T (Note 2) (No longer available, recommended replacement: ISL5120IHZ-T)	121Z (Note 5)	-40 to +85	8 Ld SOT-23	P8.064
ISL5122CBZ (No longer available, recommended replacement: ISL5120IHZ-T)	5122 CBZ	0 to +70	8 Ld SOIC	M8.15
ISL5122CBZ-T (Note 2) (No longer available, recommended replacement: ISL5120IHZ-T)	5122 CBZ	0 to +70	8 Ld SOIC	M8.15
ISL5122IBZ (No longer available, recommended replacement: ISL5120IHZ-T)	5122 IBZ	-40 to +85	8 Ld SOIC	M8.15
ISL5122IBZ-T (Note 2) (No longer available, recommended replacement: ISL5120IHZ-T)	5122 IBZ	-40 to +85	8 Ld SOIC	M8.15
ISL5122IHZ-T (Note 2) (No longer available, recommended replacement: ISL5120IHZ-T)	122Z (Note 5)	-40 to +85	8 Ld SOT-23	P8.064
ISL5123CBZ (No longer available, recommended replacement: ISL5120IHZ-T)	5123 CBZ	0 to +70	8 Ld SOIC	M8.15
ISL5123CBZ-T (Note 2) (No longer available, recommended replacement: ISL5120IHZ-T)	5123 CBZ	0 to +70	8 Ld SOIC	M8.15
ISL5123IBZ (No longer available, recommended replacement: ISL5120IHZ-T)	5123 IBZ	-40 to +85	8 Ld SOIC	M8.15
ISL5123IBZ-T (Note 2) (No longer available, recommended replacement: ISL5120IHZ-T)	5123 IBZ	-40 to +85	8 Ld SOIC	M8.15
ISL5123IHZ-T (Note 2) (No longer available, recommended replacement: ISL5120IHZ-T)	123Z (Note 5)	-40 to +85	6 Ld SOT-23	P6.064

### NOTES:

- Please refer to [TB347](#) for details on reel specifications.
- These Intersil Pb-free plastic packaged products employ special Pb-free material sets, molding compounds/die attach materials, and 100% matte tin plate plus anneal (e3 termination finish, which is RoHS compliant and compatible with both SnPb and Pb-free soldering operations). Intersil Pb-free products are MSL classified at Pb-free peak reflow temperatures that meet or exceed the Pb-free requirements of IPC/JEDEC J STD-020.
- For Moisture Sensitivity Level (MSL), please see product information page for [ISL5120](#), [ISL5121](#), [ISL5122](#), [ISL5123](#). For more information on MSL, please see tech brief [TB363](#).
- The part marking is located on the bottom of the part.

## Absolute Maximum Ratings

V+ to GND .....	-0.3 to 15V
Input Voltages	
IN (Note 6) .....	-0.3 to ((V+) + 0.3V)
NO, NC (Note 6) .....	-0.3 to ((V+) + 0.3V)
Output Voltages	
COM (Note 6) .....	-0.3 to ((V+) + 0.3V)
Continuous Current (Any Terminal) .....	30mA
Peak Current NO, NC, or COM	
(Pulsed 1ms, 10% Duty Cycle, Max) .....	40mA
ESD Rating (Per MIL-STD-883 Method 3015) .....	>2kV

## Thermal Information

Thermal Resistance (Typical, Note 7)	$\theta_{JA}$ (°C/W)
6 Ld SOT-23 Package .....	230
8 Ld SOT-23 Package .....	215
8 Ld SOIC Package .....	170
Maximum Junction Temperature (Plastic Package) .....	150 °C
Moisture Sensitivity (see Technical Brief TB363)	
All Other Packages .....	Level 1
8 Ld SOT-23 Package .....	Level 2
Maximum Storage Temperature Range .....	-65 °C to 150 °C
Pb-free Reflow Profile .....	see TB493

## Recommended Operating Conditions

Temperature Range	
ISL512xCx .....	0 °C to 70 °C
ISL512xIx .....	-40 °C to 85 °C

CAUTION: Do not operate at or near the maximum ratings listed for extended periods of time. Exposure to such conditions may adversely impact product reliability and result in failures not covered by warranty.

### NOTES:

6. Signals on NC, NO, COM, or IN exceeding V+ or GND are clamped by internal diodes. Limit forward diode current to maximum current ratings.
7.  $\theta_{JA}$  is measured with the component mounted on a low effective thermal conductivity test board in free air. See Tech Brief TB379 for details.

**Electrical Specifications - 5V Supply** Test Conditions: V+ = +4.5V to +5.5V, GND = 0V, V<sub>INH</sub> = 2.4V, V<sub>INL</sub> = 0.8V (Note 8), unless otherwise specified. **Boldface limits apply across the operating temperature range, -40 °C to +85 °C (ISL512xIx) or 0 °C to +70 °C. (ISL512xCx)**

PARAMETER	TEST CONDITIONS	TEMP (°C)	MIN (Note 9)	TYP	MAX (Note 9)	UNIT
<b>ANALOG SWITCH CHARACTERISTICS</b>						
Analog Signal Range, V <sub>ANALOG</sub>		Full	<b>0</b>	-	<b>V+</b>	V
ON-resistance, r <sub>ON</sub>	V+ = 4.5V, I <sub>COM</sub> = 1.0mA, V <sub>NO</sub> or V <sub>NC</sub> = 3.5V, (See Figure 5)	25	-	19	<b>30</b>	$\Omega$
		Full	-	23	<b>40</b>	$\Omega$
r <sub>ON</sub> Matching Between Channels, $\Delta r_{ON}$	V+ = 5V, I <sub>COM</sub> = 1.0mA, V <sub>NO</sub> or V <sub>NC</sub> = 3.5V	25	-	0.8	<b>2</b>	$\Omega$
		Full	-	1	<b>4</b>	$\Omega$
r <sub>ON</sub> Flatness, r <sub>FLAT(ON)</sub>	V+ = 5V, I <sub>COM</sub> = 1.0mA, V <sub>NO</sub> or V <sub>NC</sub> = 1V, 2V, 3V	Full	-	7	<b>8</b>	$\Omega$
NO or NC OFF Leakage Current, I <sub>NO(OFF)</sub> or I <sub>NC(OFF)</sub>	V+ = 5.5V, V <sub>COM</sub> = 1V, 4.5V, V <sub>NO</sub> or V <sub>NC</sub> = 4.5V, 1V, (Note 10)	25	-0.1	0.01	0.1	nA
		Full	<b>-5</b>	-	<b>5</b>	nA
COM OFF Leakage Current, I <sub>COM(OFF)</sub>	V+ = 5.5V, V <sub>COM</sub> = 4.5V, 1V, V <sub>NO</sub> or V <sub>NC</sub> = 1V, 4.5V, (Note 10)	25	-0.1	-	0.1	nA
		Full	<b>-5</b>	-	<b>5</b>	nA
COM ON Leakage Current, I <sub>COM(ON)</sub>	V+ = 5.5V, V <sub>COM</sub> = 1V, 4.5V, or V <sub>NO</sub> or V <sub>NC</sub> = 1V, 4.5V, or Floating, (Note 10)	25	-0.2	-	0.2	nA
		Full	<b>-10</b>	-	<b>10</b>	nA
<b>DYNAMIC CHARACTERISTICS</b>						
Turn-ON Time, t <sub>ON</sub>	V <sub>NO</sub> or V <sub>NC</sub> = 3V, R <sub>L</sub> = 1k $\Omega$ , C <sub>L</sub> = 35pF, V <sub>IN</sub> = 0 to 3V, (See Figure 1)	25	-	28	75	ns
		Full	-	40	<b>150</b>	ns
Turn-OFF Time, t <sub>OFF</sub>	V <sub>NO</sub> or V <sub>NC</sub> = 3V, R <sub>L</sub> = 1k $\Omega$ , C <sub>L</sub> = 35pF, V <sub>IN</sub> = 0 to 3V, (See Figure 1)	25	-	20	50	ns
		Full	-	30	<b>100</b>	ns
Break-before-make Time Delay (ISL5122, ISL5123), t <sub>D</sub>	R <sub>L</sub> = 300 $\Omega$ , C <sub>L</sub> = 35pF, V <sub>NO</sub> = V <sub>NC</sub> = 3V, V <sub>IN</sub> = 0 to 3V, (See Figure 3)	Full	<b>3</b>	10	-	ns
Charge Injection, Q	C <sub>L</sub> = 1.0nF, V <sub>G</sub> = 0V, R <sub>G</sub> = 0 $\Omega$ , (See Figure 2)	25	-	3	<b>5</b>	pC
Off Isolation	R <sub>L</sub> = 50 $\Omega$ , C <sub>L</sub> = 5pF, f = 1MHz, (See Figure 4)	25	-	76	-	dB

**Electrical Specifications - 5V Supply** Test Conditions:  $V+ = +4.5V$  to  $+5.5V$ ,  $GND = 0V$ ,  $V_{INH} = 2.4V$ ,  $V_{INL} = 0.8V$  (Note 8), unless otherwise specified. **Boldface limits apply across the operating temperature range,  $-40^{\circ}C$  to  $+85^{\circ}C$  (ISL512xIx) or  $0^{\circ}C$  to  $+70^{\circ}C$ . (ISL512xCx) (Continued)**

PARAMETER	TEST CONDITIONS	TEMP ( $^{\circ}C$ )	MIN (Note 9)	TYP	MAX (Note 9)	UNIT
Crosstalk (Channel-to-channel)	$R_L = 50\Omega$ , $C_L = 5pF$ , $f = 1MHz$ , (See Figure 6)	25	-	-105	-	dB
Power Supply Rejection Ratio	$R_L = 50\Omega$ , $C_L = 5pF$ , $f = 1MHz$	25	-	60	-	dB
NO or NC OFF Capacitance, $C_{OFF}$	$f = 1MHz$ , $V_{NO}$ or $V_{NC} = V_{COM} = 0V$ , (See Figure 7)	25	-	8	-	pF
COM OFF Capacitance, $C_{COM(OFF)}$	$f = 1MHz$ , $V_{NO}$ or $V_{NC} = V_{COM} = 0V$ , (See Figure 7)	25	-	8	-	pF
COM ON Capacitance, $C_{COM(ON)}$	$f = 1MHz$ , $V_{NO}$ or $V_{NC} = V_{COM} = 0V$ , (See Figure 7), ISL5120/1/2	25	-	21	-	pF
	$f = 1MHz$ , $V_{NO}$ or $V_{NC} = V_{COM} = 0V$ , (See Figure 7), ISL5123	25	-	28	-	pF
<b>POWER SUPPLY CHARACTERISTICS</b>						
Power Supply Range		Full	<b>2.7</b>		<b>12</b>	V
Positive Supply Current, $I+$	$V+ = 5.5V$ , $V_{IN} = 0V$ or $V+$ , all channels on or off	Full	<b>-1</b>	0.0001	<b>1</b>	$\mu A$
<b>DIGITAL INPUT CHARACTERISTICS</b>						
Input Voltage Low, $V_{INL}$		Full	-	-	<b>0.8</b>	V
Input Voltage High, $V_{INH}$		Full	<b>2.4</b>	-	-	V
Input Current, $I_{INH}$ , $I_{INL}$	$V+ = 5.5V$ , $V_{IN} = 0V$ or $V+$	Full	<b>-1</b>	-	<b>1</b>	$\mu A$

**Electrical Specifications - 3.3V Supply** Test Conditions:  $V+ = +3.0V$  to  $+3.6V$ ,  $GND = 0V$ ,  $V_{INH} = 2.4V$ ,  $V_{INL} = 0.8V$  (Note 8), unless otherwise specified. **Boldface limits apply across the operating temperature range,  $-40^{\circ}C$  to  $+85^{\circ}C$  (ISL512xIx) or  $0^{\circ}C$  to  $+70^{\circ}C$ . (ISL512xCx)**

PARAMETER	TEST CONDITIONS	TEMP ( $^{\circ}C$ )	MIN (Note 9)	TYP	MAX (Note 9)	UNIT
<b>ANALOG SWITCH CHARACTERISTICS</b>						
Analog Signal Range, $V_{ANALOG}$		Full	<b>0</b>	-	<b>V+</b>	V
ON-resistance, $r_{ON}$	$V+ = 3V$ , $I_{COM} = 1.0mA$ , $V_{NO}$ or $V_{NC} = 1.5V$	25	-	32	50	$\Omega$
		Full	-	40	<b>60</b>	$\Omega$
$r_{ON}$ Matching Between Channels, $\Delta r_{ON}$	$V+ = 3.3V$ , $I_{COM} = 1.0mA$ , $V_{NO}$ or $V_{NC} = 1.5V$	25	-	0.8	2	$\Omega$
		Full	-	1	<b>4</b>	$\Omega$
$r_{ON}$ Flatness, $r_{FLAT(ON)}$	$V+ = 3.3V$ , $I_{COM} = 1.0mA$ , $V_{NO}$ or $V_{NC} = 0.5V, 1V, 1.5V$	25	-	6	8	$\Omega$
		Full	-	7	<b>12</b>	$\Omega$
NO or NC OFF Leakage Current, $I_{NO(OFF)}$ or $I_{NC(OFF)}$	$V+ = 3.6V$ , $V_{COM} = 1V, 3V$ , $V_{NO}$ or $V_{NC} = 3V, 1V$ , (Note 10)	25	-0.1	0.01	0.1	nA
		Full	<b>-5</b>	-	<b>5</b>	nA
COM OFF Leakage Current, $I_{COM(OFF)}$	$V+ = 3.6V$ , $V_{COM} = 3V, 1V$ , $V_{NO}$ or $V_{NC} = 1V, 3V$ , (Note 10)	25	-0.1	0.01	0.1	nA
		Full	<b>-5</b>	-	<b>5</b>	nA
COM ON Leakage Current, $I_{COM(ON)}$	$V+ = 3.6V$ , $V_{COM} = 1V, 3V$ , or $V_{NO}$ or $V_{NC} = 1V, 3V$ , or floating, (Note 10)	25	-0.2	-	0.2	nA
		Full	<b>-10</b>	-	<b>10</b>	nA
<b>DYNAMIC CHARACTERISTICS</b>						
Turn-ON Time, $t_{ON}$	$V_{NO}$ or $V_{NC} = 1.5V$ , $R_L = 1k\Omega$ , $C_L = 35pF$ , $V_{IN} = 0$ to $3V$	25	-	40	120	ns
		Full	-	60	<b>200</b>	ns
Turn-OFF Time, $t_{OFF}$	$V_{NO}$ or $V_{NC} = 1.5V$ , $R_L = 1k\Omega$ , $C_L = 35pF$ , $V_{IN} = 0$ to $3V$	25	-	20	50	ns
		Full	-	30	<b>120</b>	ns

**Electrical Specifications - 3.3V Supply** Test Conditions:  $V_+ = +3.0V$  to  $+3.6V$ ,  $GND = 0V$ ,  $V_{INH} = 2.4V$ ,  $V_{INL} = 0.8V$  (Note 8), unless otherwise specified. **Boldface limits apply across the operating temperature range,  $-40^\circ C$  to  $+85^\circ C$  (ISL512xIx) or  $0^\circ C$  to  $+70^\circ C$ . (ISL512xCx) (Continued) (Continued)**

PARAMETER	TEST CONDITIONS	TEMP (°C)	MIN (Note 9)	TYP	MAX (Note 9)	UNIT
Break-before-make Time Delay (ISL5122, ISL5123), $t_D$	$R_L = 300\Omega$ , $C_L = 35pF$ , $V_{NO}$ or $V_{NC} = 1.5V$ , $V_{IN} = 0$ to $3V$	Full	<b>3</b>	20	-	ns
Charge Injection, Q	$C_L = 1.0nF$ , $V_G = 0V$ , $R_G = 0\Omega$	25	-	1	5	pC
Off Isolation	$R_L = 50\Omega$ , $C_L = 5pF$ , $f = 1MHz$	25	-	76	-	dB
Crosstalk (Channel-to-channel)		25	-	-105	-	dB
Power Supply Rejection Ratio	$R_L = 50\Omega$ , $C_L = 5pF$ , $f = 1MHz$	25	-	56	-	dB
NO or NC OFF Capacitance, $C_{OFF}$	$f = 1MHz$ , $V_{NO}$ or $V_{NC} = V_{COM} = 0V$	25	-	8	-	pF
COM OFF Capacitance, $C_{COM(OFF)}$	$f = 1MHz$ , $V_{NO}$ or $V_{NC} = V_{COM} = 0V$	25	-	8	-	pF
COM ON Capacitance, $C_{COM(ON)}$	$f = 1MHz$ , $V_{NO}$ or $V_{NC} = V_{COM} = 0V$ , ISL5120/1/2	25	-	21	-	pF
	$f = 1MHz$ , $V_{NO}$ or $V_{NC} = V_{COM} = 0V$ , ISL5123	25	-	28	-	pF
<b>POWER SUPPLY CHARACTERISTICS</b>						
Positive Supply Current, $I_+$	$V_+ = 3.6V$ , $V_{IN} = 0V$ or $V_+$ , all channels on or off	Full	<b>-1</b>	-	<b>1</b>	$\mu A$
<b>DIGITAL INPUT CHARACTERISTICS</b>						
Input Voltage Low, $V_{INL}$		Full	-	-	<b>0.8</b>	V
Input Voltage High, $V_{INH}$		Full	<b>2.4</b>	-	-	V
Input Current, $I_{INH}$ , $I_{INL}$	$V_+ = 3.6V$ , $V_{IN} = 0V$ or $V_+$	Full	<b>-1</b>	-	<b>1</b>	$\mu A$

**Electrical Specifications - 12V Supply** Test Conditions:  $V_+ = +10.8V$  to  $+13.2V$ ,  $GND = 0V$ ,  $V_{INH} = 4V$ ,  $V_{INL} = 0.8V$  (Note 8), unless otherwise specified. **Boldface limits apply across the operating temperature range,  $-40^\circ C$  to  $+85^\circ C$  (ISL512xIx) or  $0^\circ C$  to  $+70^\circ C$ . (ISL512xCx).**

PARAMETER	TEST CONDITIONS	TEMP (°C)	MIN (Note 9)	TYP	MAX (Note 9)	UNIT
<b>ANALOG SWITCH CHARACTERISTICS</b>						
Analog Signal Range, $V_{ANALOG}$		Full	<b>0</b>	-	<b>V+</b>	V
ON-resistance, $r_{ON}$	$V_+ = 10.8V$ , $I_{COM} = 1.0mA$ , $V_{NO}$ or $V_{NC} = 10V$	25	-	11	20	$\Omega$
		Full	-	15	<b>25</b>	$\Omega$
$r_{ON}$ Matching Between Channels, $\Delta r_{ON}$	$V_+ = 12V$ , $I_{COM} = 1.0mA$ , $V_{NO}$ or $V_{NC} = 10V$	25	-	0.8	2	$\Omega$
		Full	-	1	<b>4</b>	$\Omega$
$r_{ON}$ Flatness, $r_{FLAT(ON)}$	$V_+ = 12V$ , $I_{COM} = 1.0mA$ , $V_{NO}$ or $V_{NC} = 3V, 6V, 9V$	25	-	1	4	$\Omega$
		Full	-	-	<b>6</b>	$\Omega$
NO or NC OFF Leakage Current, $I_{NO(OFF)}$ or $I_{NC(OFF)}$	$V_+ = 13V$ , $V_{COM} = 1V, 12V$ , $V_{NO}$ or $V_{NC} = 12V, 1V$ , (Note 10)	25	-0.1	0.01	0.1	nA
		Full	<b>-5</b>	-	<b>5</b>	nA
COM OFF Leakage Current, $I_{COM(OFF)}$	$V_+ = 13V$ , $V_{COM} = 12V, 1V$ , $V_{NO}$ or $V_{NC} = 1V, 12V$ , (Note 10)	25	-0.1	0.01	0.1	nA
		Full	<b>-5</b>	-	<b>5</b>	nA
COM ON Leakage Current, $I_{COM(ON)}$	$V_+ = 13V$ , $V_{COM} = 1V, 12V$ , or $V_{NO}$ or $V_{NC} = 1V, 12V$ , or floating, (Note 10)	25	-0.2	-	0.2	nA
		Full	<b>-10</b>	-	<b>10</b>	nA
<b>DYNAMIC CHARACTERISTICS</b>						
Turn-ON Time, $t_{ON}$	$V_{NO}$ or $V_{NC} = 10V$ , $R_L = 1k\Omega$ , $C_L = 35pF$ , $V_{IN} = 0$ to $4V$	25	-	25	35	ns
		Full	-	35	<b>55</b>	ns

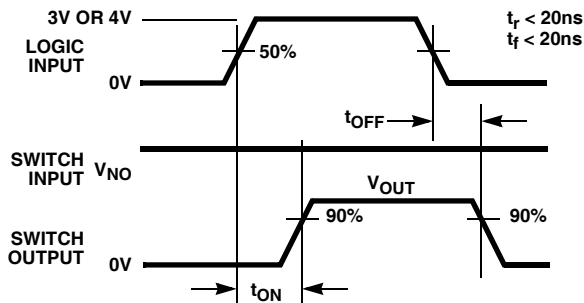
**Electrical Specifications - 12V Supply** Test Conditions:  $V_+ = +10.8V$  to  $+13.2V$ ,  $GND = 0V$ ,  $V_{INH} = 4V$ ,  $V_{INL} = 0.8V$  (Note 8), unless otherwise specified. **Boldface limits apply across the operating temperature range,  $-40^\circ C$  to  $+85^\circ C$  (ISL512xix) or  $0^\circ C$  to  $+70^\circ C$ . (ISL512xCx). (Continued)**

PARAMETER	TEST CONDITIONS	TEMP (°C)	MIN (Note 9)	TYP	MAX (Note 9)	UNIT
Turn-OFF Time, $t_{OFF}$	$V_{NO}$ or $V_{NC} = 10V$ , $R_L = 1k\Omega$ , $C_L = 35pF$ , $V_{IN} = 0$ to $4V$	25	-	17	30	ns
		Full	-	26	<b>50</b>	ns
Break-before-make Time Delay (ISL5122, ISL5123), $t_D$	$R_L = 300\Omega$ , $C_L = 35pF$ , $V_{NO}$ or $V_{NC} = 10V$ , $V_{IN} = 0$ to $4V$	Full	<b>0</b>	2		ns
Charge Injection, Q	$C_L = 1.0nF$ , $V_G = 0V$ , $R_G = 0\Omega$	25	-	5	15	pC
Off Isolation	$R_L = 50\Omega$ , $C_L = 5pF$ , $f = 1MHz$	25	-	76	-	dB
Crosstalk (Channel-to-channel)		25	-	-105	-	dB
Power Supply Rejection Ratio	$R_L = 50\Omega$ , $C_L = 5pF$ , $f = 1MHz$	25	-	63	-	dB
NO or NC OFF Capacitance, $C_{OFF}$	$f = 1MHz$ , $V_{NO}$ or $V_{NC} = V_{COM} = 0V$	25	-	8	-	pF
COM OFF Capacitance, $C_{COM(OFF)}$	$f = 1MHz$ , $V_{NO}$ or $V_{NC} = V_{COM} = 0V$	25	-	8	-	pF
COM ON Capacitance, $C_{COM(ON)}$	$f = 1MHz$ , $V_{NO}$ or $V_{NC} = V_{COM} = 0V$ , ISL5120/1/2	25	-	21	-	pF
	$f = 1MHz$ , $V_{NO}$ or $V_{NC} = V_{COM} = 0V$ , ISL5123	25	-	28	-	pF
<b>POWER SUPPLY CHARACTERISTICS</b>						
Positive Supply Current, $I_+$	$V_+ = 13V$ , $V_{IN} = 0V$ or $V_+$ , all channels on or off	Full	<b>-1</b>	-	<b>1</b>	$\mu A$
<b>DIGITAL INPUT CHARACTERISTICS</b>						
Input Voltage Low, $V_{INL}$		Full	-	-	<b>0.8</b>	V
Input Voltage High, $V_{INH}$	ISL5120CX only	Full	<b>2.9</b>	-	-	V
Input Voltage High, $V_{INH}$		Full	<b>4</b>	3	-	V
Input Current, $I_{INH}$ , $I_{INL}$	$V_+ = 13V$ , $V_{IN} = 0V$ or $V_+$	Full	<b>-1</b>	-	<b>1</b>	$\mu A$

NOTES:

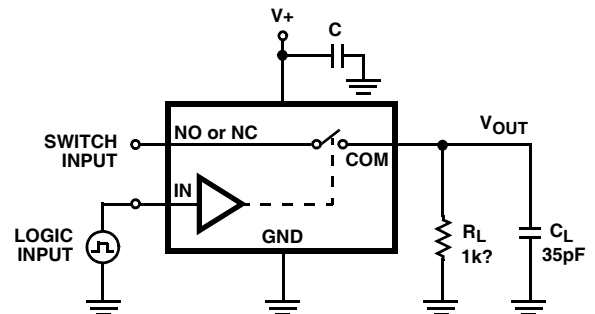
- 8.  $V_{IN}$  = input voltage to perform proper function.
- 9. The algebraic convention, whereby the most negative value is a minimum and the most positive a maximum, is used in this data sheet.
- 10. Leakage parameter is 100% tested at high temp, and established by correlation at  $+25^\circ C$ .

**Test Circuits and Waveforms**



Logic input waveform is inverted for switches that have the opposite logic sense.

FIGURE 1A. MEASUREMENT POINTS



Repeat test for all switches.  $C_L$  includes fixture and stray capacitance.

$$V_{OUT} = V_{(NO \text{ or } NC)} \frac{R_L}{R_L + r_{(ON)}}$$

FIGURE 1B. TEST CIRCUIT

FIGURE 1. SWITCHING TIMES

## Test Circuits and Waveforms (Continued)

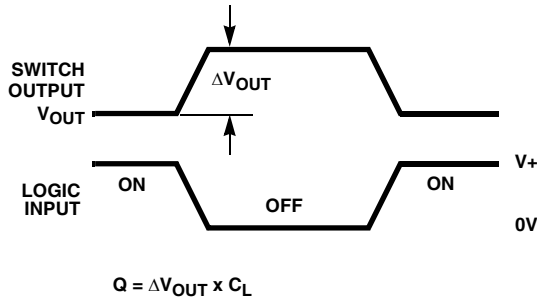


FIGURE 2A. MEASUREMENT POINTS

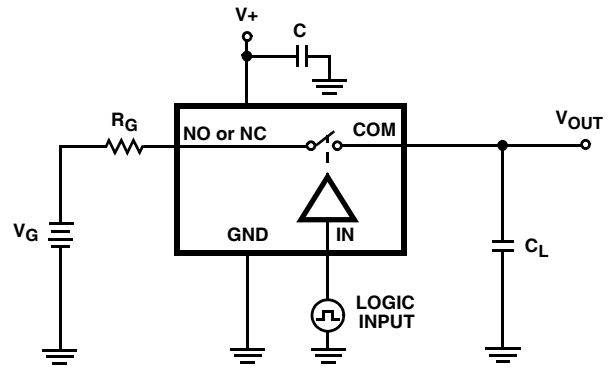


FIGURE 2B. TEST CIRCUIT

FIGURE 2. CHARGE INJECTION

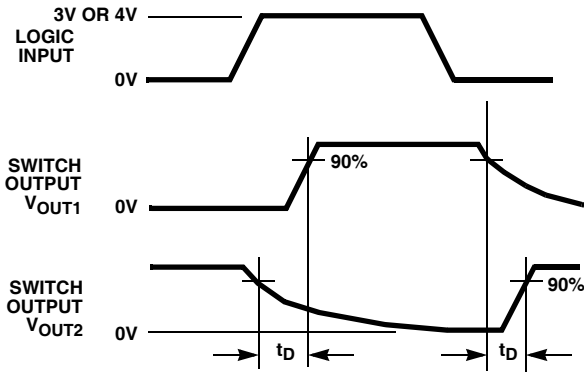
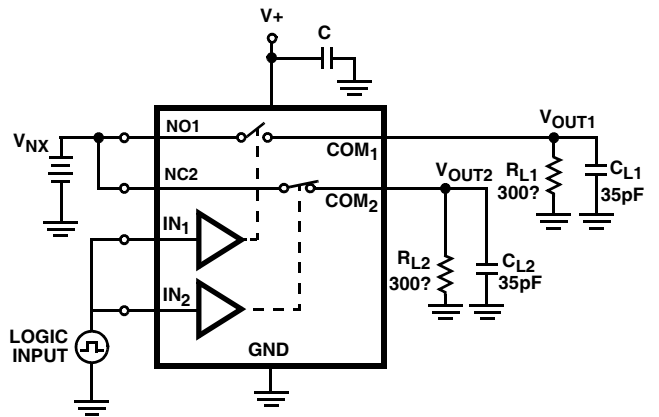


FIGURE 3A. MEASUREMENT POINTS (ISL5122 ONLY)



$C_L$  includes fixture and stray capacitance.

FIGURE 3B. TEST CIRCUIT (ISL5122 ONLY)

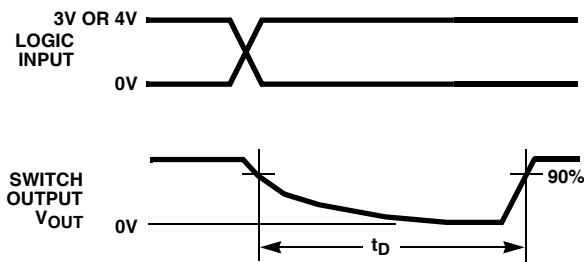
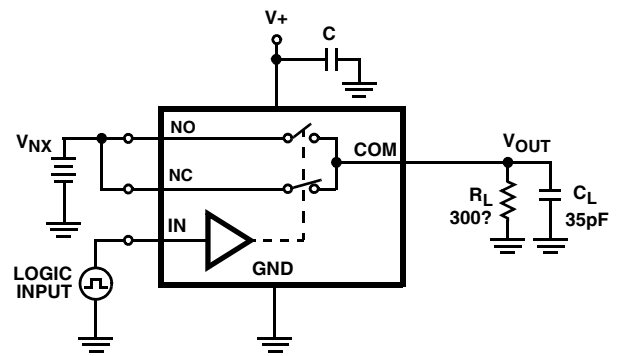


FIGURE 3C. MEASUREMENT POINTS (ISL5123 ONLY)



$C_L$  includes fixture and stray capacitance.

FIGURE 3D. TEST CIRCUIT (ISL5123 ONLY)

FIGURE 3. BREAK-BEFORE-MAKE TIME

## Test Circuits and Waveforms (Continued)

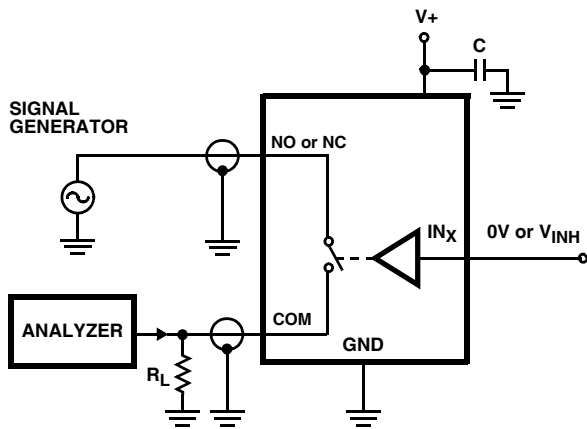


FIGURE 4. OFF ISOLATION TEST CIRCUIT

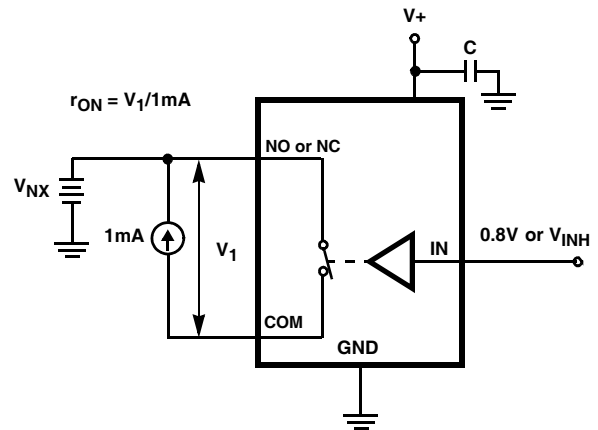


FIGURE 5.  $r_{ON}$  TEST CIRCUIT

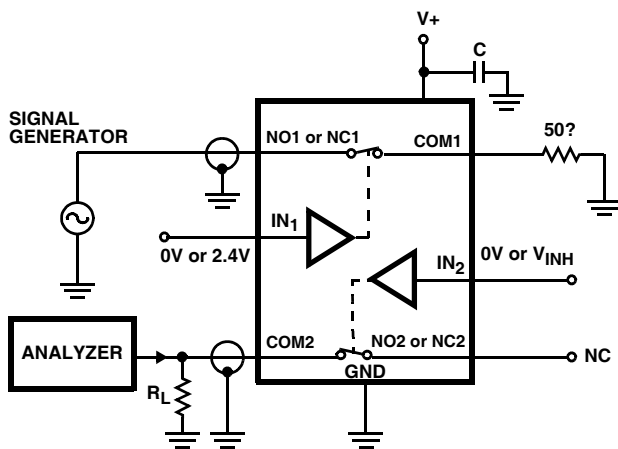


FIGURE 6. CROSSTALK TEST CIRCUIT

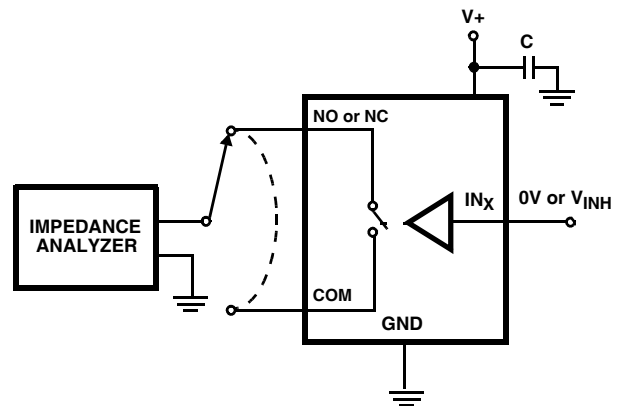


FIGURE 7. CAPACITANCE TEST CIRCUIT

## Detailed Description

The ISL5120, ISL5121, ISL5122, ISL5123 bidirectional, dual analog switches offer precise switching capability from a single 2.7V to 12V supply with low ON-resistance ( $19\Omega$ ) and high speed operation ( $t_{ON} = 28\text{ns}$ ,  $t_{OFF} = 20\text{ns}$ ). The devices are especially well suited to portable battery powered equipment thanks to the low operating supply voltage (2.7V), low power consumption ( $5\mu\text{W}$ ), low leakage currents ( $100\text{pA}$  max) and the tiny SOT-23 packaging. High frequency applications also benefit from the wide bandwidth and the very high off isolation and crosstalk rejection.

## Supply Sequencing and Overvoltage Protection

With any CMOS device, proper power supply sequencing is required to protect the device from excessive input currents,

which might permanently damage the IC. All I/O pins contain ESD protection diodes from the pin to V+ and GND (see [Figure 8 on page 10](#)). To prevent forward biasing these diodes, V+ must be applied before any input signals, and input signal voltages must remain between V+ and GND. If these conditions cannot be guaranteed, then one of the following two protection methods should be employed.

Logic inputs can easily be protected by adding a  $1\text{k}\Omega$  resistor in series with the input (see [Figure 8](#)). The resistor limits the input current below the threshold that produces permanent damage, and the submicroamp input current produces an insignificant voltage drop during normal operation.

Adding a series resistor to the switch input defeats the purpose of using a low  $r_{ON}$  switch, so two small signal diodes can be added in series with the supply pins to provide overvoltage protection for all pins (see [Figure 8](#)). These additional diodes

limit the analog signal from 1V below V+ to 1V above GND. The low leakage current performance is unaffected by this approach, but the switch resistance may increase, especially at low supply voltages.

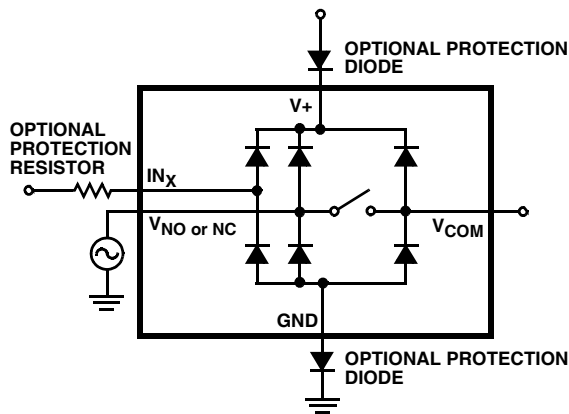


FIGURE 8. OVERVOLTAGE PROTECTION

## Power Supply Considerations

The ISL512x construction is typical of most CMOS analog switches, except that they have only two supply pins: V+ and GND. V+ and GND drive the internal CMOS switches and set their analog voltage limits. Unlike switches with a 13V maximum supply voltage, the ISL512x 15V maximum supply voltage provides plenty of room for the 10% tolerance of 12V supplies, as well as room for overshoot and noise spikes.

The minimum recommended supply voltage is 2.7V. It is important to note that the input signal range, switching times and ON-resistance degrade at lower supply voltages. Refer to the electrical specification tables starting on [page 4](#) and *Typical Performance* curves starting on [page 11](#) for details.

V+ and GND also power the internal logic and level shifters. The level shifters convert the input logic levels to switched V+ and GND signals to drive the analog switch gate terminals.

This family of switches cannot be operated with bipolar supplies, because the input switching point becomes negative in this configuration.

## Logic-level Thresholds

This switch family is TTL compatible (0.8V and 2.4V) over a supply range of 3V to 11V (see [Figure 15](#)). At 12V the V<sub>IH</sub> level is about 2.5V. This is still below the TTL guaranteed high output minimum level of 2.8V, but the noise margin is reduced. For best results with a 12V supply, use a logic family that provides a V<sub>OH</sub> greater than 3V.

The digital input stages draw supply current whenever the digital input voltage is not at one of the supply rails. Driving the digital input signals from GND to V+ with a fast transition time minimizes power dissipation.

## High Frequency Performance

In 50Ω systems, signal response is reasonably flat even past 300MHz (see [Figure 16 on page 12](#)). [Figure 16](#) also illustrates that the frequency response is very consistent over a wide V+ range, and for varying analog signal levels.

An OFF switch acts like a capacitor and passes higher frequencies with less attenuation, resulting in signal feedthrough from a switch's input to its output. Off Isolation is the resistance to this feedthrough, while Crosstalk indicates the amount of feedthrough from one switch to another. [Figure 17 on page 12](#) details the high Off Isolation and Crosstalk rejection provided by this family. At 10MHz, Off Isolation is about 50dB in 50Ω systems, decreasing approximately 20dB per decade as frequency increases. Higher load impedances decrease Off Isolation and Crosstalk rejection due to the voltage divider action of the switch OFF impedance and the load impedance.

## Leakage Considerations

Reverse ESD protection diodes are internally connected between each analog-signal pin and both V+ and GND. One of these diodes conducts if any analog signal exceeds V+ or GND.

Virtually all the analog leakage current comes from the ESD diodes to V+ or GND. Although the ESD diodes on a given signal pin are identical and therefore fairly well balanced, they are reverse biased differently. Each is biased by either V+ or GND and the analog signal. This means their leakages will vary as the signal varies. The difference in the two diode leakages to the V+ and GND pins constitutes the analog-signal-path leakage current. All analog leakage current flows between each pin and one of the supply terminals, not to the other switch terminal. This is why both sides of a given switch can show leakage currents of the same or opposite polarity. There is no connection between the analog signal paths and V+ or GND.

# Typical Performance Curves T<sub>A</sub> = +25 °C, unless otherwise specified.

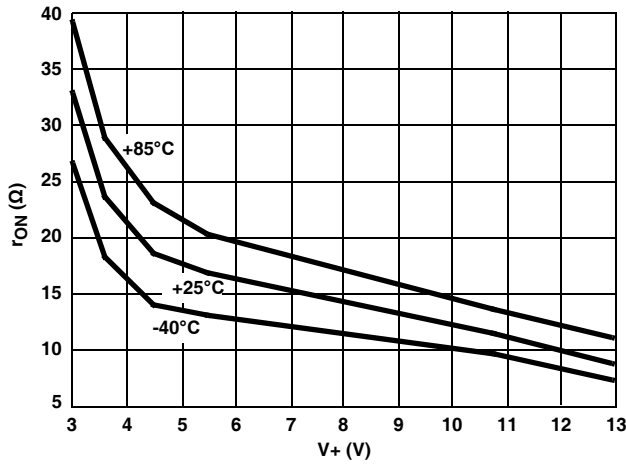


FIGURE 9. ON-RESISTANCE vs SUPPLY VOLTAGE

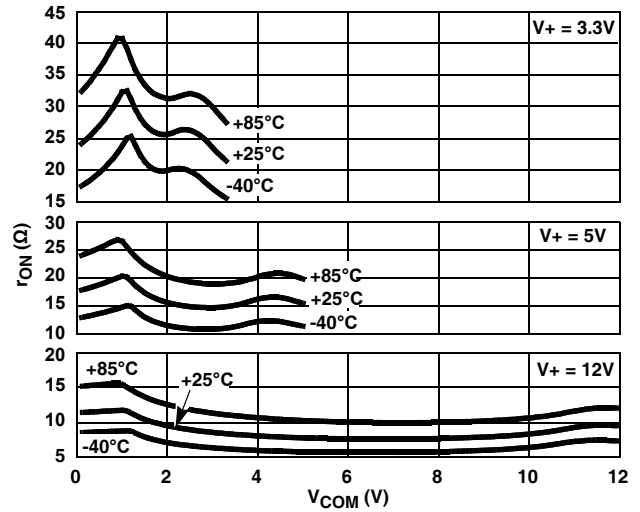


FIGURE 10. ON-RESISTANCE vs SWITCH VOLTAGE

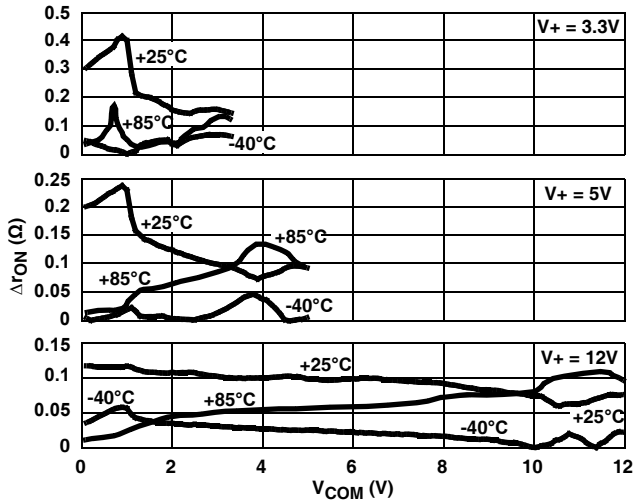


FIGURE 11.  $r_{ON}$  MATCH vs SWITCH VOLTAGE

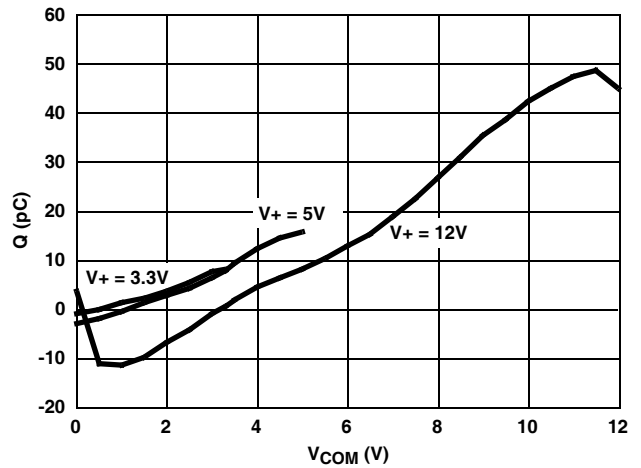


FIGURE 12. CHARGE INJECTION vs SWITCH VOLTAGE

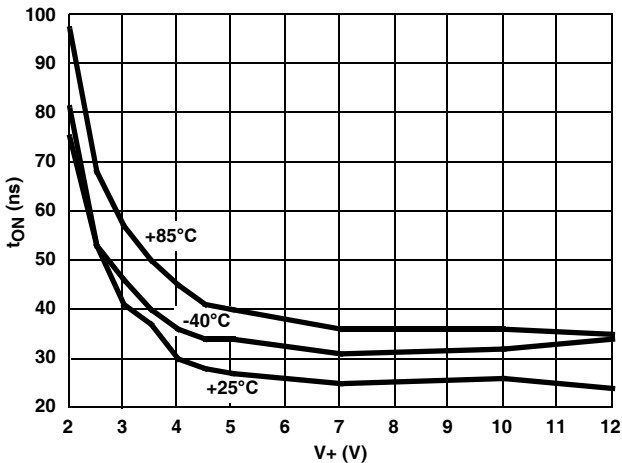


FIGURE 13. TURN-ON TIME vs SUPPLY VOLTAGE

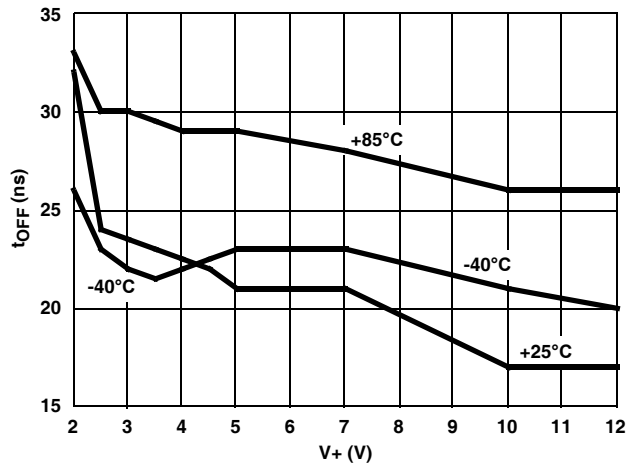


FIGURE 14. TURN-OFF TIME vs SUPPLY VOLTAGE

**Typical Performance Curves**  $T_A = +25^\circ\text{C}$ , unless otherwise specified. (Continued)

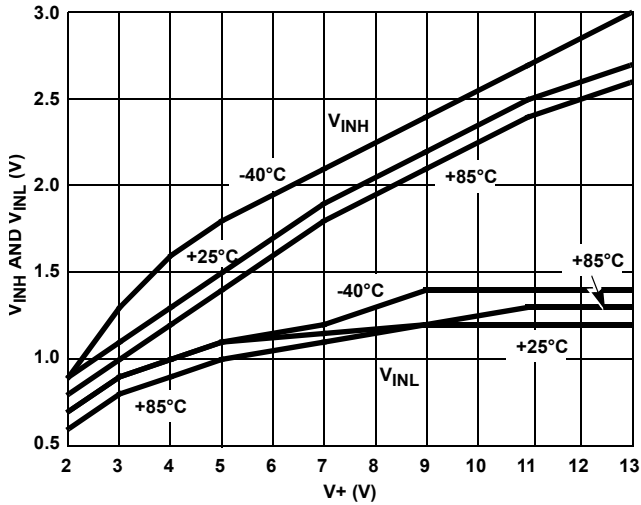


FIGURE 15. DIGITAL SWITCHING POINT vs SUPPLY VOLTAGE

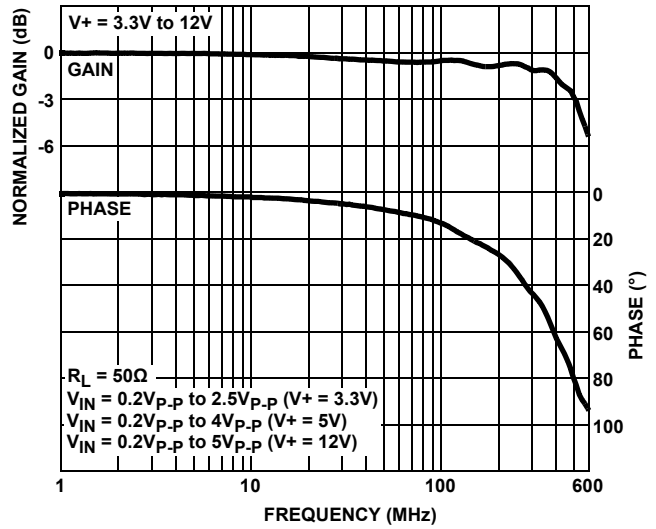


FIGURE 16. FREQUENCY RESPONSE

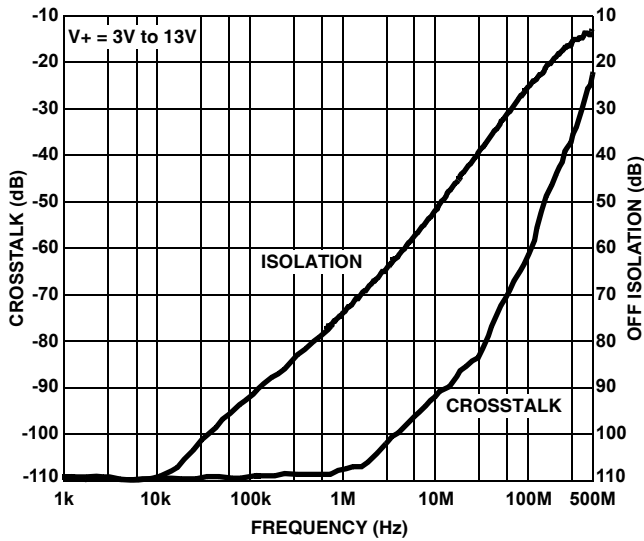


FIGURE 17. CROSSTALK AND OFF ISOLATION

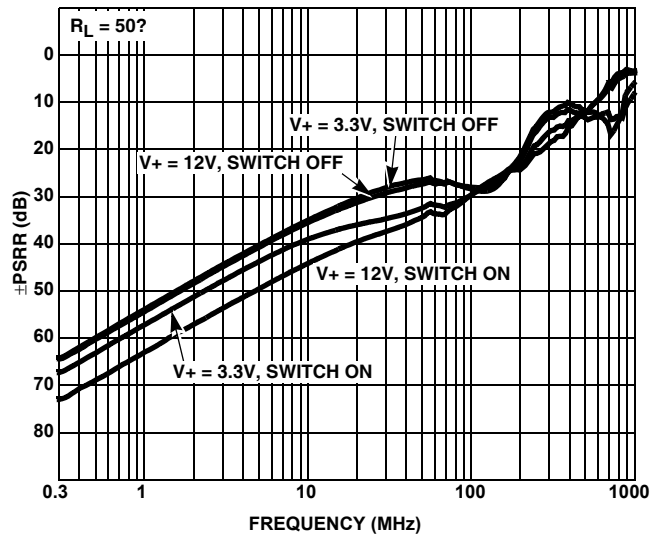


FIGURE 18.  $\pm$ PSRR vs FREQUENCY

**Die Characteristics**

**Substrate Potential (Powered Up):**

GND

**Transistor Count:**

- ISL5120: 66
- ISL5121: 66
- ISL5122: 66
- ISL5123: 58

**Process:**

Si Gate CMOS

## Revision History

The revision history provided is for informational purposes only and is believed to be accurate, but not warranted. Please go to the web to make sure that you have the latest revision.

DATE	REVISION	CHANGE
August 12, 2015	FN6022.8	Updated Ordering Information on page 3
May 6, 2015	FN6022.7	<p>Added Revision History</p> <p>Updated datasheet to Intersil new standards</p> <p>Updated ordering information table by removing obsolete parts and adding Notes 2, 4 and 5.</p> <p>Replaced M8.15 POD with the latest revision (Rev 4.)</p> <p>Changes from Rev 0 to Rev 1: Remove "u" symbol from drawing (overlaps the "a" on Side View).</p> <p>Changes from Rev 1 to Rev 2: Updated to new POD format by removing table and moving dimensions onto drawing and adding land pattern</p> <p>Changes from Rev2 to Rev 3: Changed in Typical Recommended Land Pattern the following:                      2.41(0.095) to 2.20(0.087)                      0.76 (0.030) to 0.60(0.023)                      0.200 to 5.20(0.205)</p> <p>Changes from Rev 3 to Rev 4: Changed "1982" to "1994" in Note 1.</p> <p>Replaced P6.064 with the latest revision (Rev 4).</p> <p>Changes from Rev 3 to Rev 4: Update to new format (same dimensions, added land pattern and moved dimensions from table onto drawing)</p>

## About Intersil

Intersil Corporation is a leading provider of innovative power management and precision analog solutions. The company's products address some of the largest markets within the industrial and infrastructure, mobile computing and high-end consumer markets.

For the most updated datasheet, application notes, related documentation and related parts, please see the respective product information page found at [www.intersil.com](http://www.intersil.com).

You may report errors or suggestions for improving this datasheet by visiting [www.intersil.com/ask](http://www.intersil.com/ask).

Reliability reports are also available from our website at [www.intersil.com/support](http://www.intersil.com/support)

© Copyright Intersil Americas LLC 2005-2017. All Rights Reserved.  
 All trademarks and registered trademarks are the property of their respective owners.

For additional products, see [www.intersil.com/en/products.html](http://www.intersil.com/en/products.html)

Intersil products are manufactured, assembled and tested utilizing ISO9001 quality systems as noted in the quality certifications found at [www.intersil.com/en/support/qualandreliability.html](http://www.intersil.com/en/support/qualandreliability.html)

*Intersil products are sold by description only. Intersil may modify the circuit design and/or specifications of products at any time without notice, provided that such modification does not, in Intersil's sole judgment, affect the form, fit or function of the product. Accordingly, the reader is cautioned to verify that datasheets are current before placing orders. Information furnished by Intersil is believed to be accurate and reliable. However, no responsibility is assumed by Intersil or its subsidiaries for its use; nor for any infringements of patents or other rights of third parties which may result from its use. No license is granted by implication or otherwise under any patent or patent rights of Intersil or its subsidiaries.*

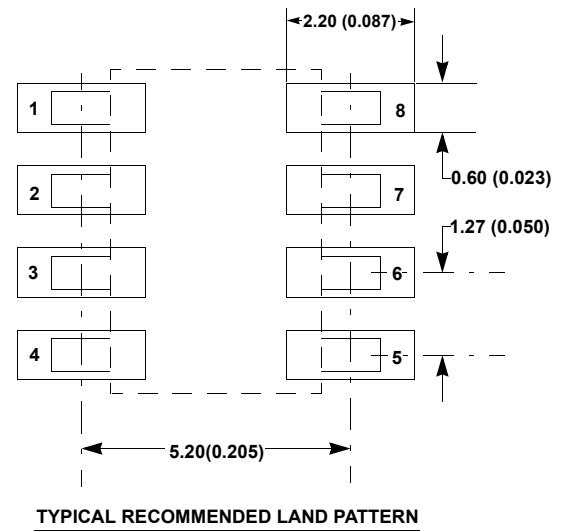
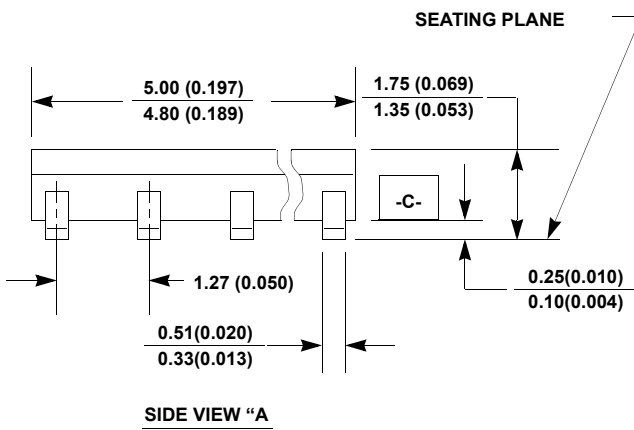
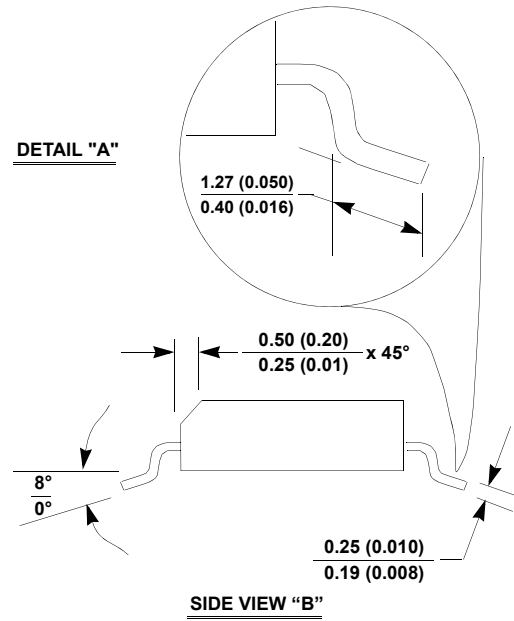
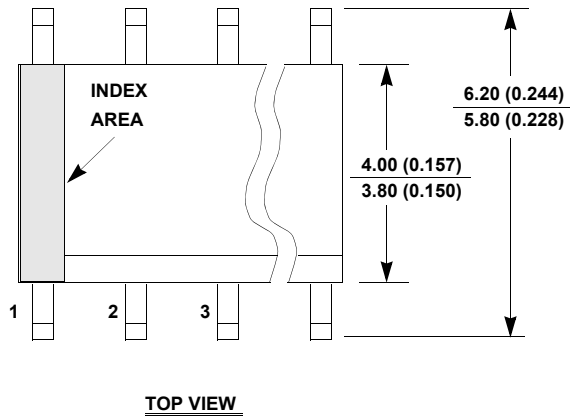
For information regarding Intersil Corporation and its products, see [www.intersil.com](http://www.intersil.com)

# Package Outline Drawing

## M8.15

8 LEAD NARROW BODY SMALL OUTLINE PLASTIC PACKAGE

Rev 4, 1/12



**NOTES:**

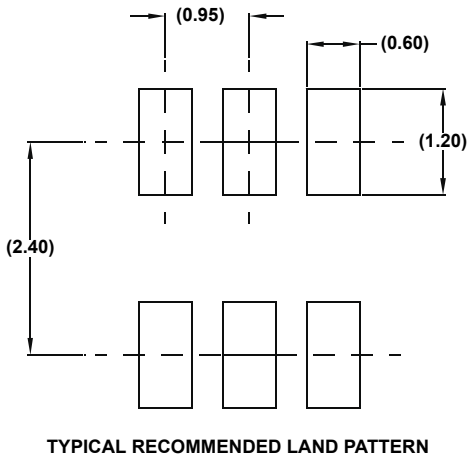
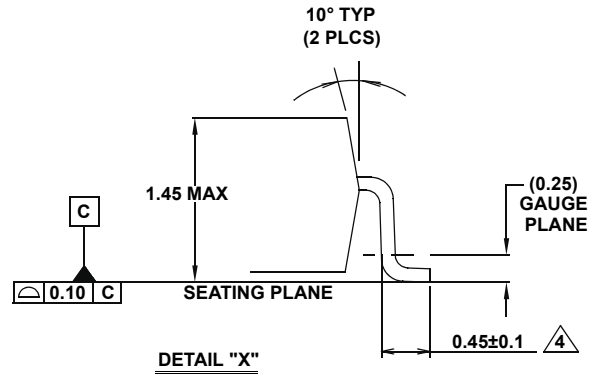
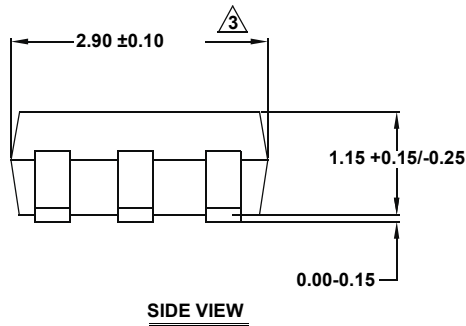
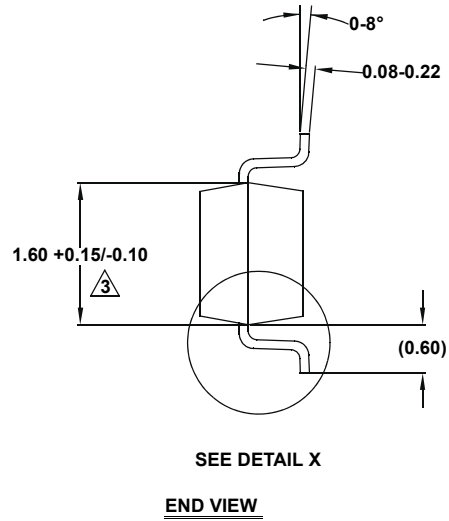
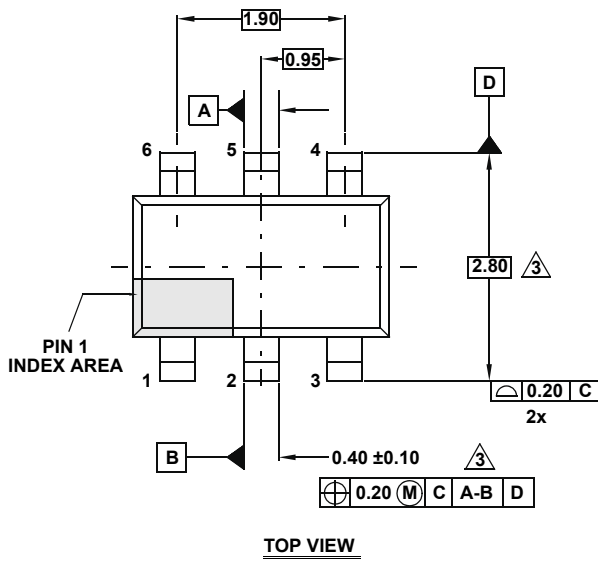
1. Dimensioning and tolerancing per ANSI Y14.5M-1994.
2. Package length does not include mold flash, protrusions or gate burrs. Mold flash, protrusion and gate burrs shall not exceed 0.15mm (0.006 inch) per side.
3. Package width does not include interlead flash or protrusions. Interlead flash and protrusions shall not exceed 0.25mm (0.010 inch) per side.
4. The chamfer on the body is optional. If it is not present, a visual index feature must be located within the crosshatched area.
5. Terminal numbers are shown for reference only.
6. The lead width as measured 0.36mm (0.014 inch) or greater above the seating plane, shall not exceed a maximum value of 0.61mm (0.024 inch).
7. Controlling dimension: MILLIMETER. Converted inch dimensions are not necessarily exact.
8. This outline conforms to JEDEC publication MS-012-AA ISSUE C.

# Package Outline Drawing

## P6.064

### 6 LEAD SMALL OUTLINE TRANSISTOR PLASTIC PACKAGE

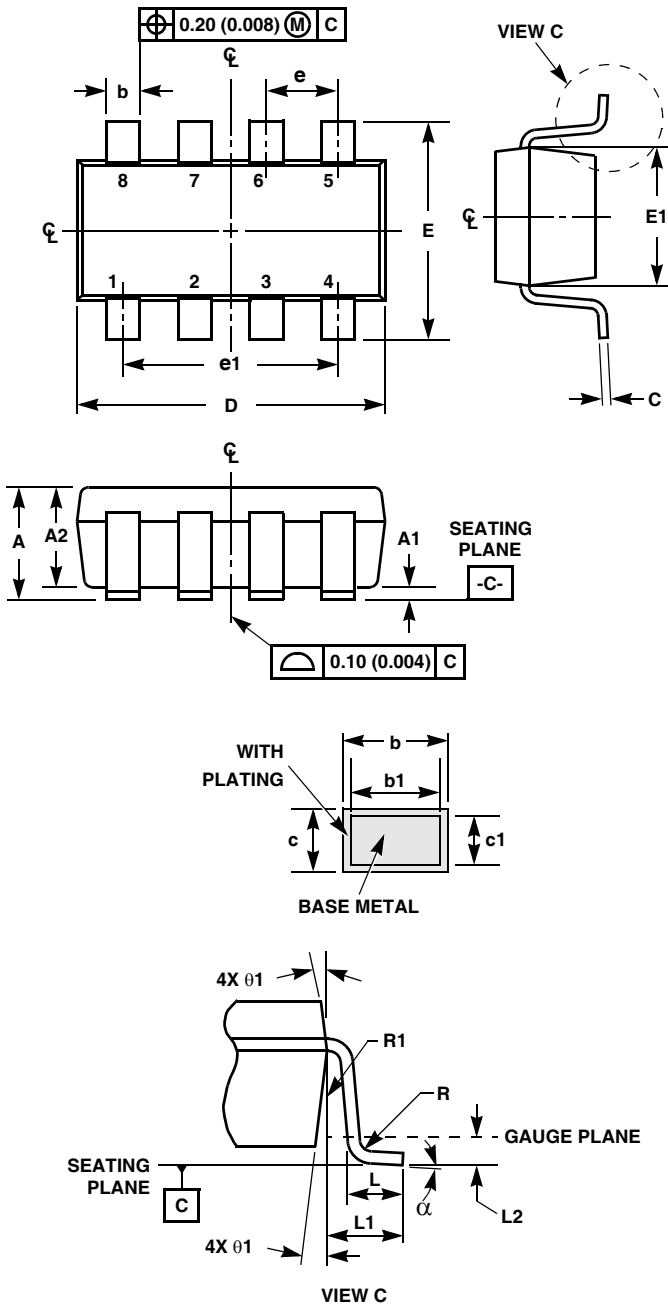
Rev 4, 2/10



**NOTES:**

1. Dimensions are in millimeters.  
Dimensions in ( ) for Reference Only.
2. Dimensioning and tolerancing conform to ASME Y14.5M-1994.
3. Dimension is exclusive of mold flash, protrusions or gate burrs.
4. Foot length is measured at reference to gauge plane.
5. Package conforms to JEDEC MO-178AB.

**Small Outline Transistor Plastic Packages (SOT23-8)**



**P8.064**

**8 LEAD SMALL OUTLINE TRANSISTOR PLASTIC PACKAGE**

SYMBOL	INCHES		MILLIMETERS		NOTES
	MIN	MAX	MIN	MAX	
A	0.036	0.057	0.90	1.45	-
A1	0.000	0.0059	0.00	0.15	-
A2	0.036	0.051	0.90	1.30	-
b	0.009	0.015	0.22	0.38	-
b1	0.009	0.013	0.22	0.33	-
c	0.003	0.009	0.08	0.22	6
c1	0.003	0.008	0.08	0.20	6
D	0.111	0.118	2.80	3.00	3
E	0.103	0.118	2.60	3.00	-
E1	0.060	0.067	1.50	1.70	3
e	0.0256 Ref		0.65 Ref		-
e1	0.0768 Ref		1.95 Ref		-
L	0.014	0.022	0.35	0.55	4
L1	0.024 Ref.		0.60 Ref.		-
L2	0.010 Ref.		0.25 Ref.		-
N	8		8		5
R	0.004	-	0.10	-	-
R1	0.004	0.010	0.10	0.25	-
$\alpha$	0°	8°	0°	8°	-

Rev. 2 9/03

**NOTES:**

1. Dimensioning and tolerance per ASME Y14.5M-1994.
2. Package conforms to EIAJ SC-74 and JEDEC MO178BA.
3. Dimensions D and E1 are exclusive of mold flash, protrusions, or gate burrs.
4. Footlength L measured at reference to gauge plane.
5. "N" is the number of terminal positions.
6. These Dimensions apply to the flat section of the lead between 0.08mm and 0.15mm from the lead tip.
7. Controlling dimension: MILLIMETER. Converted inch dimensions are for reference only

## Looking for pricing, stock, or lifecycle information?

Click below to explore more details on WIN SOURCE:

 [View ISL5120IHZ-T on WIN SOURCE](#)

 [Intersil Information](#)

## Optimize Your Supply Chain with WIN SOURCE Solutions

-  Global Sourcing Solution
-  Obsolete Management
-  Cost Control Management
-  Shortage Management
-  Alternative Solution
-  Excess Inventory Management