



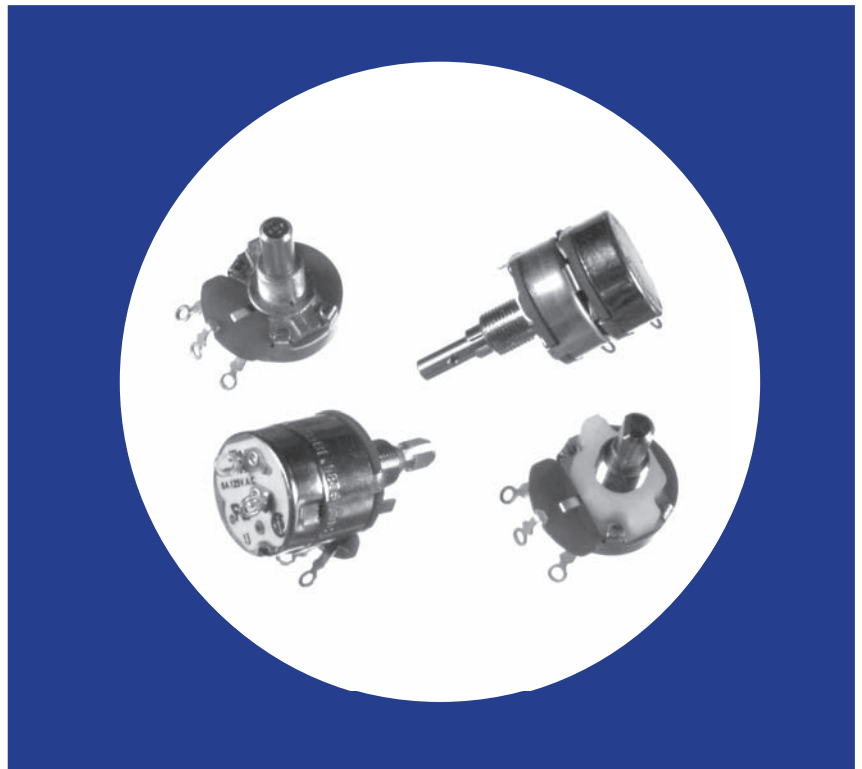
**THE DATASHEET OF
026TB32R102B1B1**



Industrial 24mm Diameter 5 Watt, Wirewound Rotary Potentiometer

Features

- Dust-proof construction
- Precision linearity
- 5 watt power rating
- Superior resistance stability in temperature and environment change
- Tandem constructions available
- Bushing or twist tab mounting
- Available with pull-push and rotary power switches
- RoHS compliant



Electrical and Mechanical Specifications

Resistance Range

Linear : 1 ohm through 25K ohms
Audio : 20 ohms through 10K ohms

Resistance Tolerance

±20%, ±10%, ±5%

Power Rating

5 watts @ 25°C

Dielectric Strength

1,000 VAC for 1 minute

Maximum Operating Voltage

500 VDC

Insulation Resistance

100 Megohms minimum @ 250 VDC

Rotational Angle

Mechanical Angle: 300°±5°

Effective Angle:

Without switch: 280°

With switch: 240°

Rotational Torque

3/4 to 6 in. oz. (54 - 432 gf-cm)

Linearity (linear curve only)

Standard: 3% linearity

Special : 2% linearity

Mounting Information

Bushing Mount

Twisted Tab

Power Switch

Rotary Switch-SPST, DPST, SPDT

Pull-Push Switch-SPST (Pull-ON, Push-OFF)

Rotational Life

standard : 10,000 cycles

special : 50,000 , 100,000 cycles

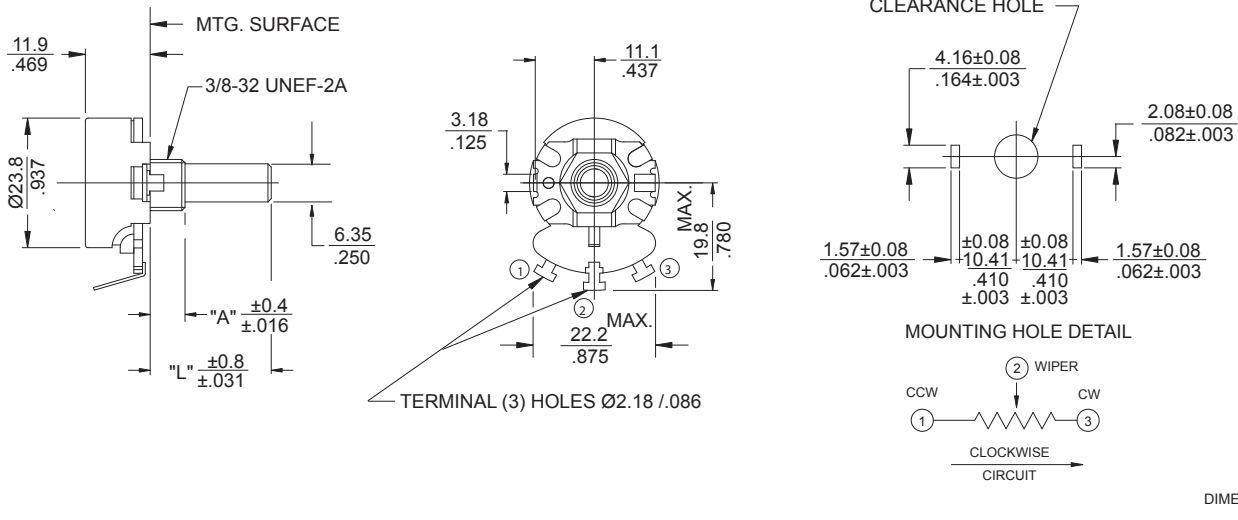
Solder Heat Resistance

Maximum 350° C for 3 sec

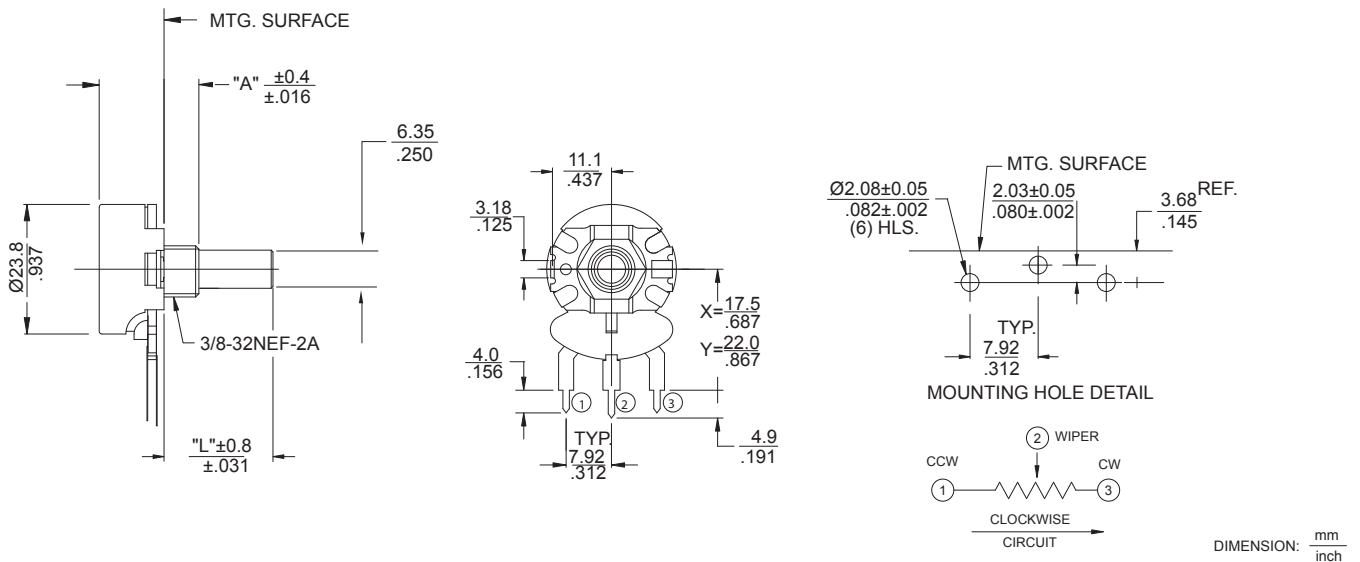
Operating Temperature

-30° C to +105° C

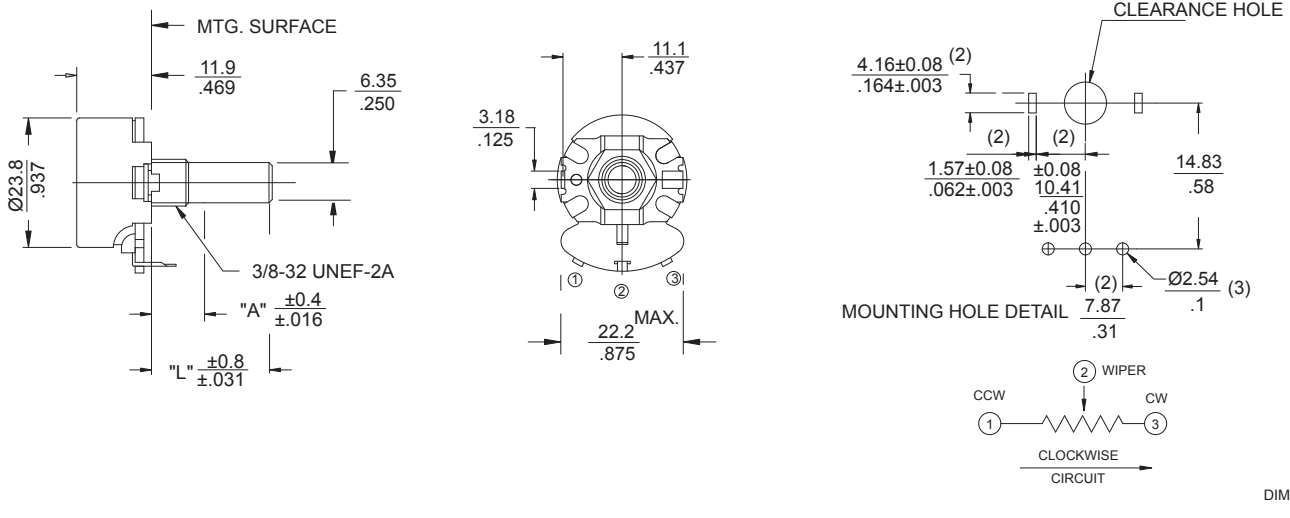
T026 Metal Shaft, Bushing Mounting, Type "T" Solder Lug Terminals



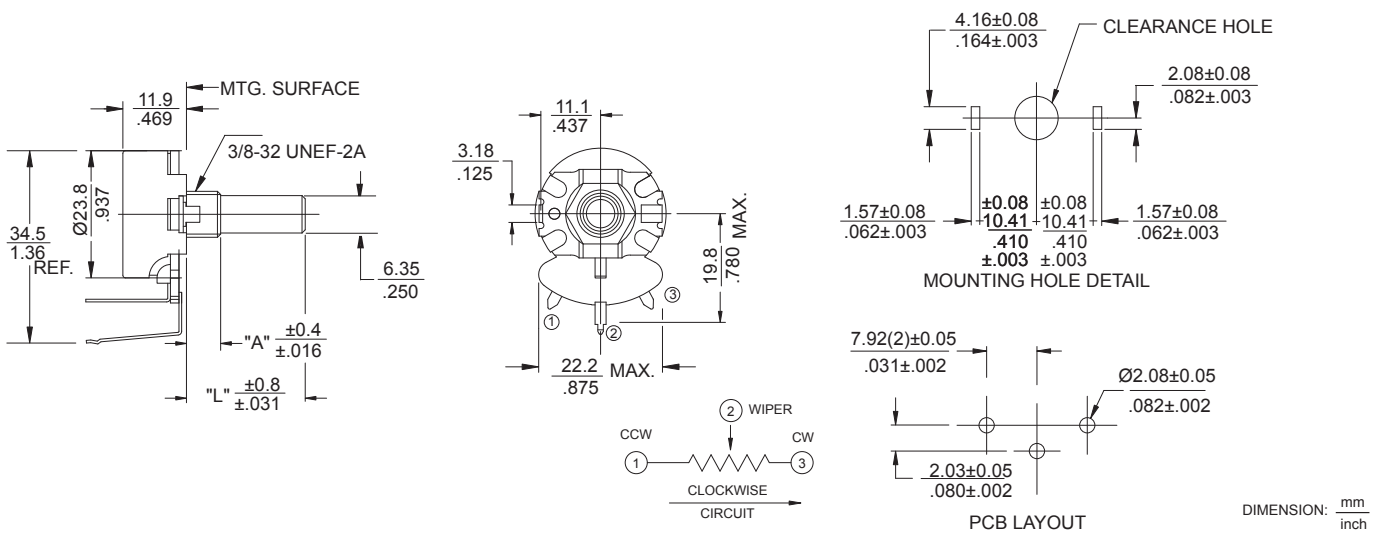
X026 / Y026 Metal Shaft, Bushing Mounting, Printed Circuit Type X/Y Terminals



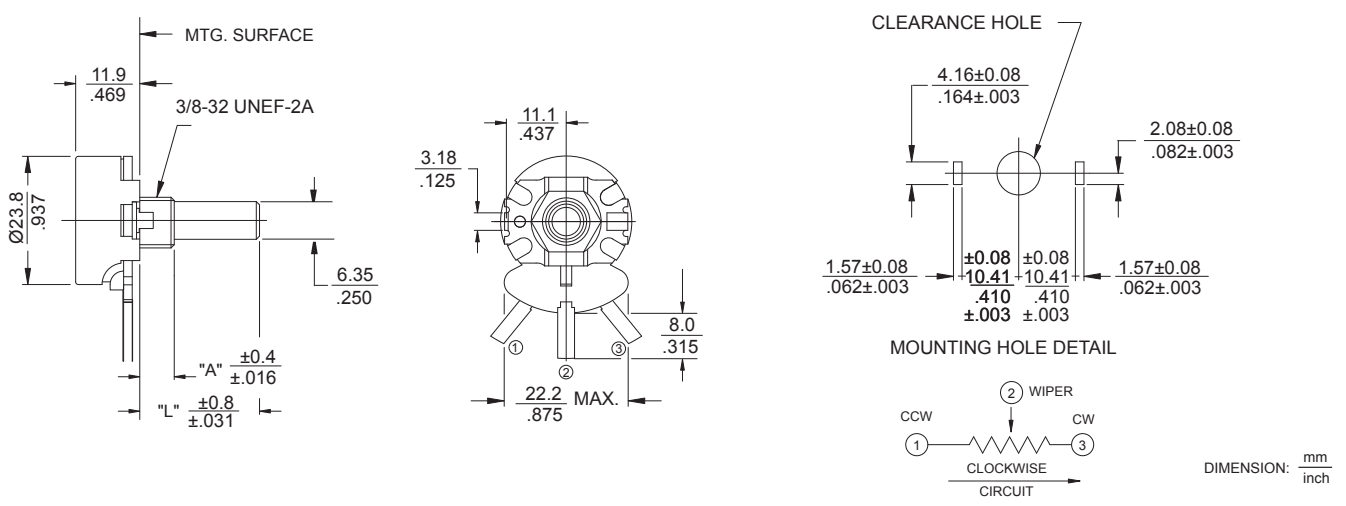
U026 Metal Shaft, Bushing Mounting, Printed Circuit Type "U" Formed Terminals



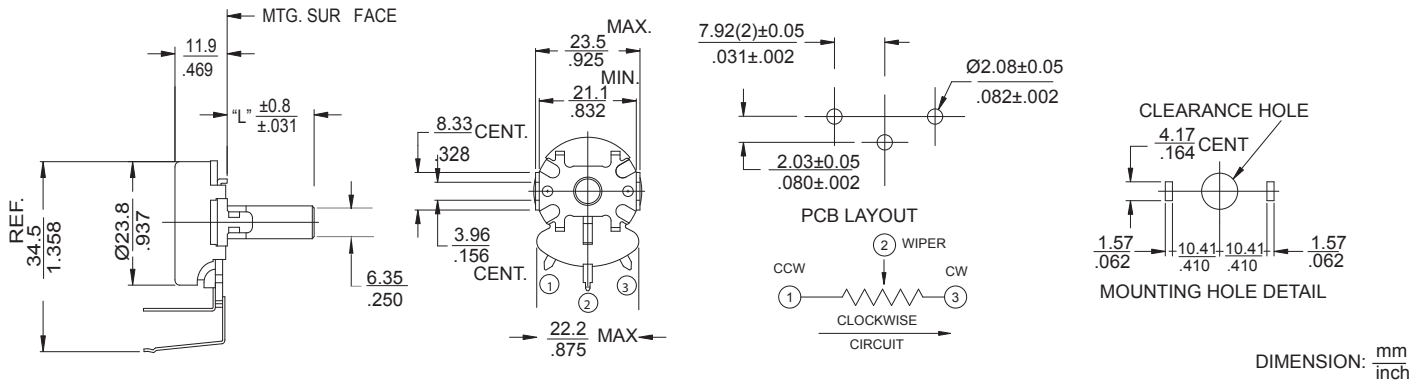
V026 Metal Shaft, Bushing Mounting, Printed Circuit Type "V" Formed Terminals



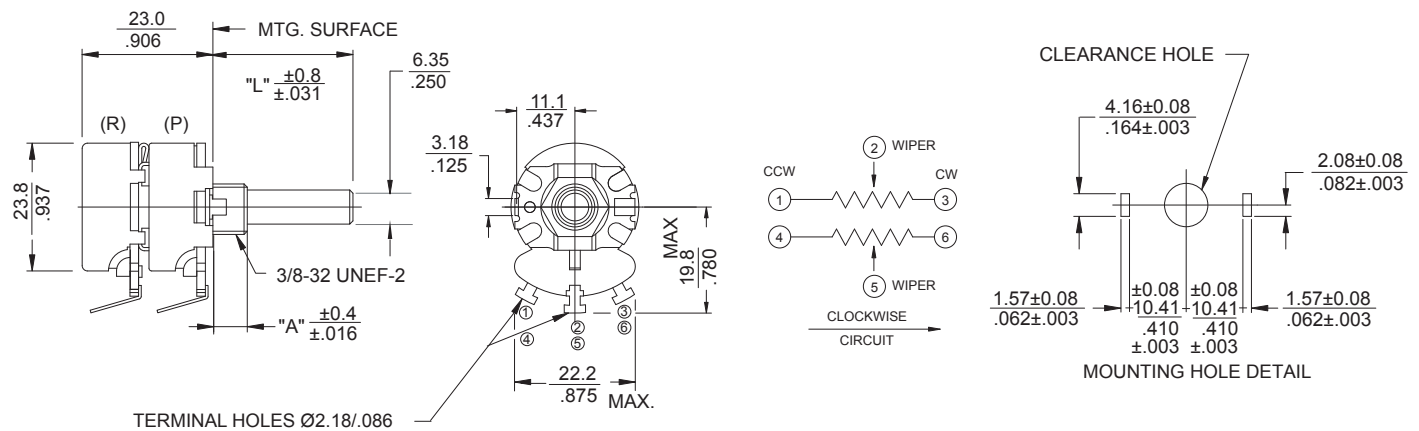
S026 Metal Shaft, Bushing Mounting, Faston Type "S" Formed Terminals



VPE026 Metal Shaft, Twist TAB Mounting, Type "V" Formed Terminals



T2-026 Dual-section, Metal Shaft, Bushing Mounting, Type "T" Solder Lug Terminals



* More multi-section models available, consult CTS for details

Ordering Information

026	T	2	20	R	103	B	1	A	1																																										
TERMINAL STYLE T - SOLDER LUG X - PC .687"(17.5mm) Y - PC .867"(22.0mm) U - FORMED TO FRONT V - FORMED TO REAR S - FASTON	METAL MOUNTING STYLE "A" BUSHING LENGTH: 1/8" INCREMENTS EXAMPLES: 2 - .250"(6.35mm) 3 - .375"(9.53mm) 8 - 1.000"(25.4mm) 1 - TWIST TAB MOUNT A - .250"(6.35mm) DIECAST B - .375"(9.53mm) DIECAST	SHAFT TRIM R - ROUND F - FLATTED .375"X.156" (9.53mmX4.0mm) K - KNURLED EIA S148 24 TEETH S - SD SLOT .063" DEEP X.047" WIDE (1.6mmX1.2mm)	RESISTANCE CODE EXAMPLES <table border="1"> <tr><th>CODE</th><th>RESISTANCE</th></tr> <tr><td>5A0</td><td>5 OHMS</td></tr> <tr><td>501</td><td>500 OHMS</td></tr> <tr><td>102</td><td>1K</td></tr> <tr><td>252</td><td>2.5K</td></tr> <tr><td>502</td><td>5K</td></tr> <tr><td>103</td><td>10K</td></tr> <tr><td>253</td><td>25K</td></tr> </table>	CODE	RESISTANCE	5A0	5 OHMS	501	500 OHMS	102	1K	252	2.5K	502	5K	103	10K	253	25K	RESIST TOL A - $\pm 10\%$ B - $\pm 20\%$ D - $\pm 5\%$	TAPER 1 - LINEAR 2 - 20%AUD 3 - 20%CCW AUD	SPECIALS 1 - LOCATING LUG LEFT SIDE 2 - LOCATING LUG RIGHT SIDE 3 - NO LOCATING LUG LOCATING 5 - LOCATING LUG BOTH SIDE	<table border="1"> <thead> <tr> <th>SWITCHES</th> <th>FUNCTION</th> <th>CTS TYPE</th> <th>CURRENT RATING</th> </tr> </thead> <tbody> <tr><td>A - NONE</td><td></td><td></td><td></td></tr> <tr><td>B - SPST</td><td>ROTARY</td><td>TGC</td><td>6AMP @ 125VAC</td></tr> <tr><td>C - DPST</td><td>ROTARY</td><td>027</td><td>3AMP @ 125VAC 1AMP @ 250VAC</td></tr> <tr><td>D - SPDT</td><td>ROTARY</td><td>028</td><td>3AMP @ 125VAC</td></tr> <tr><td>E - SPST</td><td>PULL-PUSH</td><td>FR-K</td><td>3AMP @ 125VAC</td></tr> <tr><td>F - SPST</td><td>ROTARY</td><td>FR-GC</td><td>3AMP @ 125VAC 1AMP @ 250VAC/DC</td></tr> </tbody> </table> <p>* Refer to series 450 data sheet for power switch detail</p>	SWITCHES	FUNCTION	CTS TYPE	CURRENT RATING	A - NONE				B - SPST	ROTARY	TGC	6AMP @ 125VAC	C - DPST	ROTARY	027	3AMP @ 125VAC 1AMP @ 250VAC	D - SPDT	ROTARY	028	3AMP @ 125VAC	E - SPST	PULL-PUSH	FR-K	3AMP @ 125VAC	F - SPST	ROTARY	FR-GC	3AMP @ 125VAC 1AMP @ 250VAC/DC
CODE	RESISTANCE																																																		
5A0	5 OHMS																																																		
501	500 OHMS																																																		
102	1K																																																		
252	2.5K																																																		
502	5K																																																		
103	10K																																																		
253	25K																																																		
SWITCHES	FUNCTION	CTS TYPE	CURRENT RATING																																																
A - NONE																																																			
B - SPST	ROTARY	TGC	6AMP @ 125VAC																																																
C - DPST	ROTARY	027	3AMP @ 125VAC 1AMP @ 250VAC																																																
D - SPDT	ROTARY	028	3AMP @ 125VAC																																																
E - SPST	PULL-PUSH	FR-K	3AMP @ 125VAC																																																
F - SPST	ROTARY	FR-GC	3AMP @ 125VAC 1AMP @ 250VAC/DC																																																
METAL SHAFT LENGTH "L" FROM MOUNTING SURFACE 1/32" INCREMENTS EXAMPLES: 20 - .625"(6.35mm) 24 - .750"(19.5mm) 28 - .875"(22.2mm) 32 - 1.000"(25.4mm)																																																			

Looking for pricing, stock, or lifecycle information?

Click below to explore more details on WIN SOURCE:

- [View 026TB32R102B1B1 on WIN SOURCE](#)
- [CTS Electrocomponents Information](#)

Optimize Your Supply Chain with WIN SOURCE Solutions

- ✓ Global Sourcing Solution
- ✓ Obsolete Management
- ✓ Cost Control Management
- ✓ Shortage Management
- ✓ Alternative Solution
- ✓ Excess Inventory Management