



# THE DATASHEET OF STGB19NC60HDT4



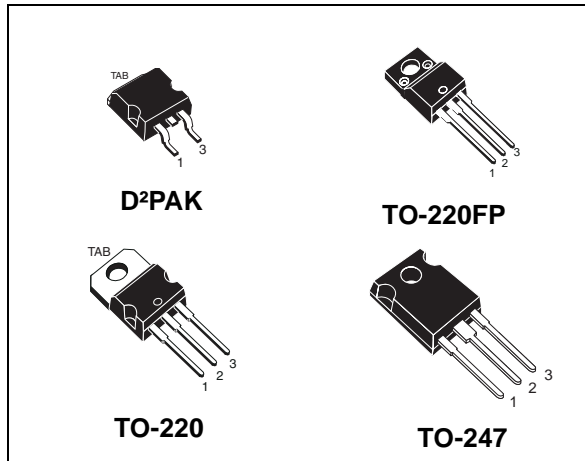
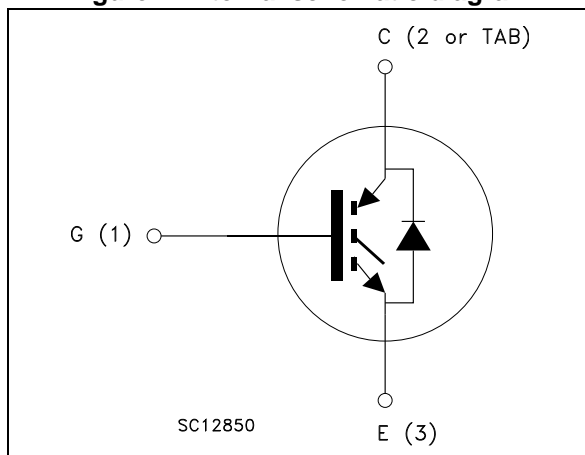


Figure 1. Internal schematic diagram



### Features

- Low on-voltage drop ( $V_{CE(sat)}$ )
- Very soft ultrafast recovery anti-parallel diode

### Applications

- High frequency motor drives
- SMPS and PFC in both hard switch and resonant topologies

### Description

These devices are ultrafast IGBT. They utilize the advanced Power MESH™ process resulting in an excellent trade-off between switching performance and low on-state behavior.

Table 1. Device summary

Part numbers	Marking	Package	Packing
STGB19NC60HDT4	GB19NC60HD	D <sup>2</sup> PAK	Tape and reel
STGF19NC60HD	GF19NC60HD	TO-220FP	Tube
STGP19NC60HD	GP19NC60HD	TO-220	Tube
STGW19NC60HD	GW19NC60HD	TO-247	Tube

# Contents

- 1      Electrical ratings ..... 3**
- 2      Electrical characteristics ..... 4**
  - 2.1    Electrical characteristics (curves) ..... 7
- 3      Test circuits ..... 10**
- 4      Package information ..... 11**
  - 4.1    D<sup>2</sup>PAK (TO-263) package information .....11
  - 4.2    TO-220FP package information ..... 14
  - 4.3    TO-220 package information ..... 16
  - 4.4    TO-247 package information ..... 18
- 5      Packing information ..... 20**
- 6      Revision history ..... 22**

# 1 Electrical ratings

**Table 2. Absolute maximum ratings**

Symbol	Parameter	Value			Unit
		TO-220 D <sup>2</sup> PAK	TO-220FP	TO-247	
V <sub>CES</sub>	Collector-emitter voltage (V <sub>GE</sub> = 0)	600			V
I <sub>C</sub> <sup>(1)</sup>	Continuous collector current at T <sub>C</sub> = 25 °C	40	16	42	A
I <sub>C</sub> <sup>(1)</sup>	Continuous collector current at T <sub>C</sub> = 100 °C	19	10	21	A
I <sub>CL</sub> <sup>(2)</sup>	Turn-off latching current	40			A
I <sub>CP</sub> <sup>(3)</sup>	Pulsed collector current	60			A
I <sub>F</sub>	Diode RMS forward current at T <sub>C</sub> = 25 °C	20			A
I <sub>FSM</sub>	Surge not repetitive forward current t <sub>p</sub> =10 ms sinusoidal	50			A
V <sub>GE</sub>	Gate-emitter voltage	±20			V
P <sub>TOT</sub>	Total dissipation at T <sub>C</sub> = 25 °C	130	32	140	W
V <sub>ISO</sub>	Isolation withstand voltage (RMS) from all three leads to external heat sink (t = 1 s; T <sub>C</sub> = 25 °C)	2500			V
T <sub>STG</sub>	Storage temperature range	- 55 to 150			°C
T <sub>J</sub>	Operating junction temperature range				

1. Calculated according to the iterative formula:

$$I_C(T_C) = \frac{T_{j(max)} - T_C}{R_{thj-c} \times V_{CE(sat)(max)}(T_{j(max)}, I_C(T_C))}$$

2. V<sub>clamp</sub> = 80%V<sub>CES</sub>, T<sub>J</sub> = 150 °C, R<sub>G</sub> = 1 0 Ω, V<sub>GE</sub> = 15 V

3. Pulse width limited by maximum permissible junction temperature and turn-off within RBSOA.

**Table 3. Thermal data**

Symbol	Parameter	Value			Unit
		TO-220 D <sup>2</sup> PAK	TO-220FP	TO-247	
R <sub>thj-case</sub>	Thermal resistance junction-case IGBT	0.95	3.9	0.9	°C/W
	Thermal resistance junction-case diode	3	5.5	3	°C/W
R <sub>thj-amb</sub>	Thermal resistance junction-ambient	62.5		50	°C/W

## 2 Electrical characteristics

( $T_J = 25\text{ °C}$  unless otherwise specified)

**Table 4. Static**

Symbol	Parameter	Test conditions	Min.	Typ.	Max.	Unit
$V_{(BR)CES}$	Collector-emitter breakdown voltage ( $V_{GE} = 0$ )	$I_C = 1\text{ mA}$	600			V
$V_{CE(sat)}$	Collector-emitter saturation voltage	$V_{GE} = 15\text{ V}, I_C = 12\text{ A}$		1.8	2.5	V
		$V_{GE} = 15\text{ V}, I_C = 15\text{ A}$		2		
		$V_{GE} = 15\text{ V}, I_C = 30\text{ A}, T_J = 100\text{ °C}$		2.5		
		$V_{GE} = 15\text{ V}, I_C = 12\text{ A}, T_J = 125\text{ °C}$		1.6		
$V_{GE(th)}$	Gate threshold voltage	$V_{CE} = V_{GE}, I_C = 250\text{ }\mu\text{A}$	3.75		5.75	
$I_{CES}$	Collector cut-off current ( $V_{GE} = 0$ )	$V_{CE} = 600\text{ V}$			150	$\mu\text{A}$
		$V_{CE} = 600\text{ V}, T_J = 125\text{ °C}$			1	mA
$I_{GES}$	Gate-emitter leakage current ( $V_{CE} = 0$ )	$V_{GE} = \pm 20\text{ V}$			$\pm 100$	nA
$g_{fs}^{(1)}$	Forward transconductance	$V_{CE} = 15\text{ V}, I_C = 12\text{ A}$		5		S

1. Pulsed: pulse duration = 300  $\mu\text{s}$ , duty cycle 1.5%

**Table 5. Dynamic**

Symbol	Parameter	Test conditions	Min.	Typ.	Max.	Unit
$C_{ies}$	Input capacitance	$V_{CE} = 25\text{ V}, f = 1\text{ MHz}, V_{GE} = 0$	-	1180	-	pF
$C_{oes}$	Output capacitance		-	130	-	
$C_{res}$	Reverse transfer capacitance		-	36	-	
$Q_g$	Total gate charge	$V_{CE} = 390\text{ V}, I_C = 5\text{ A}, V_{GE} = 15\text{ V}$ , (see <a href="#">Figure 20</a> )	-	53	-	nC
$Q_{ge}$	Gate-emitter charge		-	10	-	
$Q_{gc}$	Gate-collector charge		-	23	-	

**Table 6. Switching on/off (inductive load)**

Symbol	Parameter	Test conditions	Min.	Typ.	Max.	Unit
$t_{d(on)}$	Turn-on delay time	$V_{CC} = 390\text{ V}$ , $I_C = 12\text{ A}$ $R_G = 10\ \Omega$ , $V_{GE} = 15\text{ V}$ (see <a href="#">Figure 21</a> )	-	25	-	ns
$t_r$	Current rise time		-	7	-	
$(di/dt)_{on}$	Turn-on current slope		-	1600	-	A/ $\mu$ s
$t_{d(on)}$	Turn-on delay time	$V_{CC} = 390\text{ V}$ , $I_C = 12\text{ A}$ $R_G = 10\ \Omega$ , $V_{GE} = 15\text{ V}$ , $T_J = 125\text{ }^\circ\text{C}$ (see <a href="#">Figure 21</a> )	-	24	-	ns
$t_r$	Current rise time		-	8	-	
$(di/dt)_{on}$	Turn-on current slope		-	1400	-	A/ $\mu$ s
$t_{r(Voff)}$	Off voltage rise time	$V_{CC} = 390\text{ V}$ , $I_C = 12\text{ A}$ $R_G = 10\ \Omega$ , $V_{GE} = 15\text{ V}$ , (see <a href="#">Figure 21</a> )	-	27	-	ns
$t_{d(Voff)}$	Turn-off delay time		-	97	-	
$t_f$	Current fall time		-	73	-	
$t_{r(Voff)}$	Off voltage rise time	$V_{CC} = 390\text{ V}$ , $I_C = 12\text{ A}$ $R_G = 10\ \Omega$ , $V_{GE} = 15\text{ V}$ , $T_J = 125\text{ }^\circ\text{C}$ (see <a href="#">Figure 21</a> )	-	58	-	ns
$t_{d(Voff)}$	Turn-off delay time		-	144	-	
$t_f$	Current fall time		-	128	-	

**Table 7. Switching energy (inductive load)**

Symbol	Parameter	Test conditions	Min.	Typ.	Max.	Unit
$E_{on}$	Turn-on switching energy	$V_{CC} = 390\text{ V}$ , $I_C = 12\text{ A}$ $R_G = 10\ \Omega$ , $V_{GE} = 15\text{ V}$ , (see <a href="#">Figure 21</a> )	-	85	-	$\mu$ J
$E_{off}^{(1)}$	Turn-off switching energy		-	189	-	
$E_{ts}$	Total switching energy		-	274	-	
$E_{on}$	Turn-on switching energy	$V_{CC} = 390\text{ V}$ , $I_C = 12\text{ A}$ $R_G = 10\ \Omega$ , $V_{GE} = 15\text{ V}$ , $T_J = 125\text{ }^\circ\text{C}$ (see <a href="#">Figure 21</a> )	-	187	-	$\mu$ J
$E_{off}^{(1)}$	Turn-off switching energy		-	407	-	
$E_{ts}$	Total switching energy		-	594	-	

1. Including the tail of the collector current.

Table 8. Collector-emitter diode

Symbol	Parameter	Test conditions	Min.	Typ.	Max.	Unit
$V_F$	Forward on-voltage	$I_F = 12\text{ A}$	-	2.6	-	V
		$I_F = 12\text{ A}, T_J = 125\text{ °C}$	-	2.1	-	
$t_{rr}$	Reverse recovery time	$I_F = 12\text{ A}, V_R = 40\text{ V},$ $di/dt = 100\text{ A}/\mu\text{s}$ (see <a href="#">Figure 22</a> )	-	31	-	ns
$Q_{rr}$	Reverse recovery charge		-	30	-	nC
$I_{rrm}$	Reverse recovery current		-	2	-	A
$t_{rr}$	Reverse recovery time	$I_F = 12\text{ A}, V_R = 40\text{ V},$ $T_J = 125\text{ °C}, di/dt = 100\text{ A}/\mu\text{s}$ (see <a href="#">Figure 22</a> )	-	59	-	ns
$Q_{rr}$	Reverse recovery charge		-	102	-	nC
$I_{rrm}$	Reverse recovery current		-	4	-	A

## 2.1 Electrical characteristics (curves)

Figure 2. Output characteristics

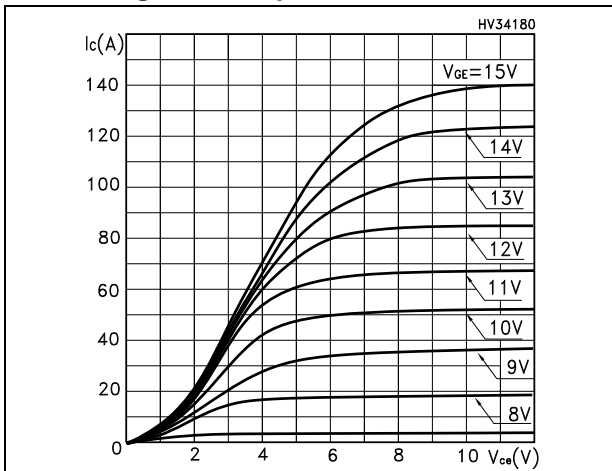


Figure 3. Transfer characteristics

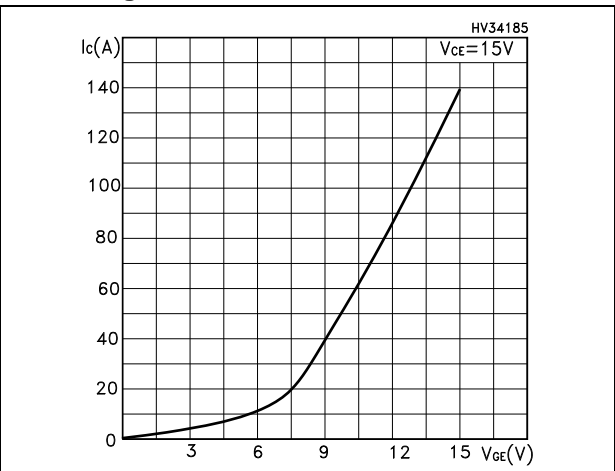


Figure 4. Transconductance

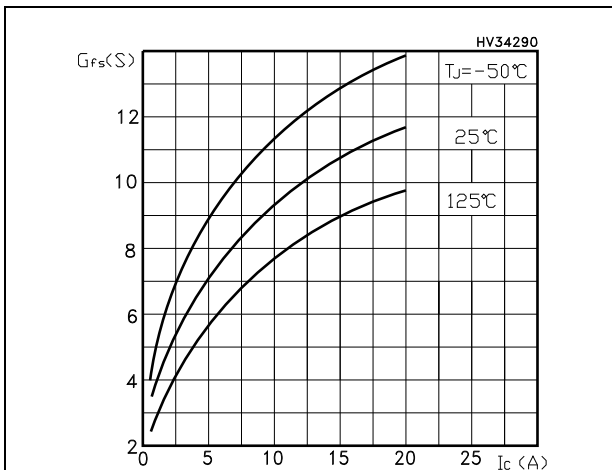


Figure 5. Collector-emitter on voltage vs. temperature

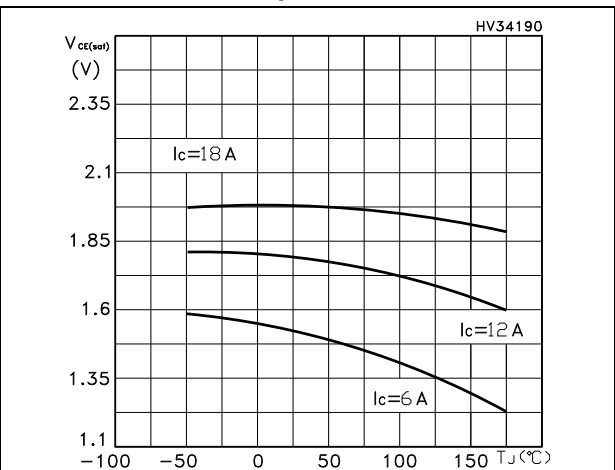


Figure 6. Gate charge vs. gate-source voltage

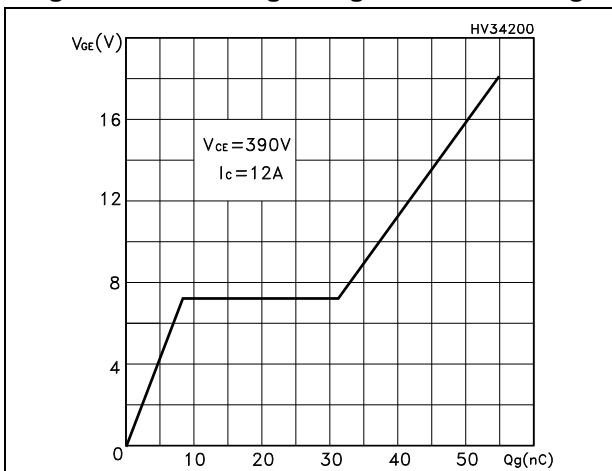


Figure 7. Capacitance variations

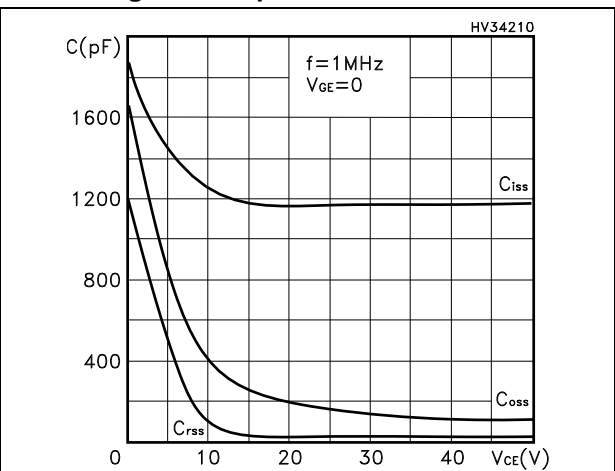


Figure 8. Normalized gate threshold voltage vs. temperature

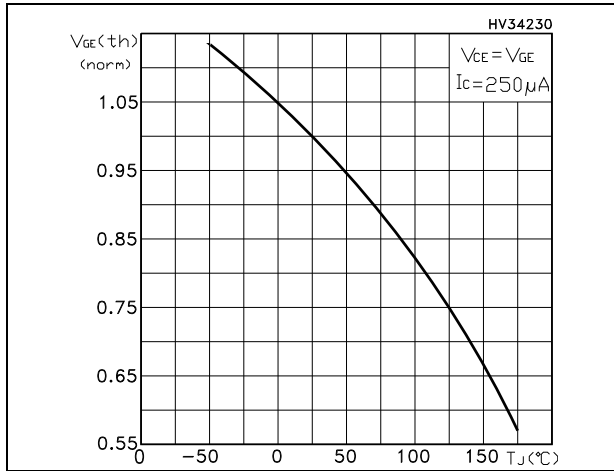


Figure 9. Collector-emitter on voltage vs. collector current

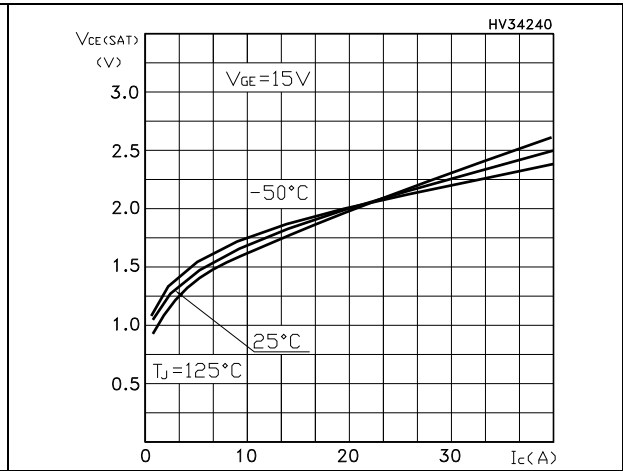


Figure 10. Normalized breakdown voltage vs. temperature

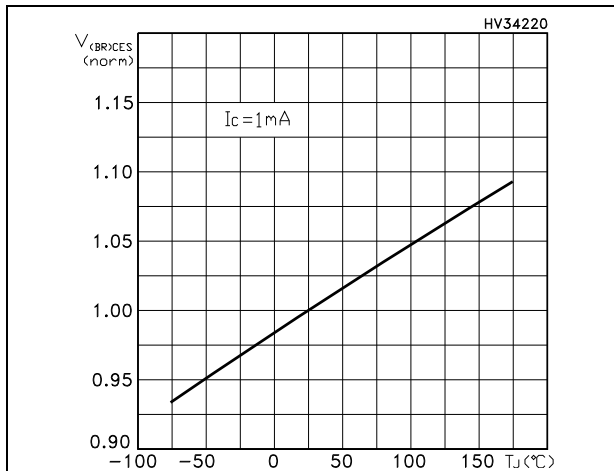


Figure 11. Switching energy vs. temperature

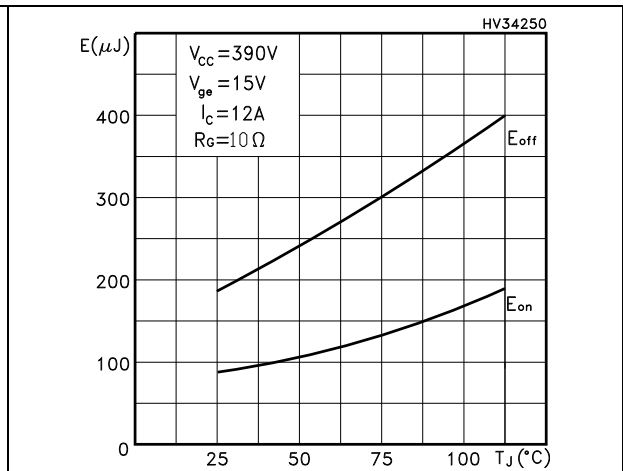


Figure 12. Switching energy vs. gate resistance

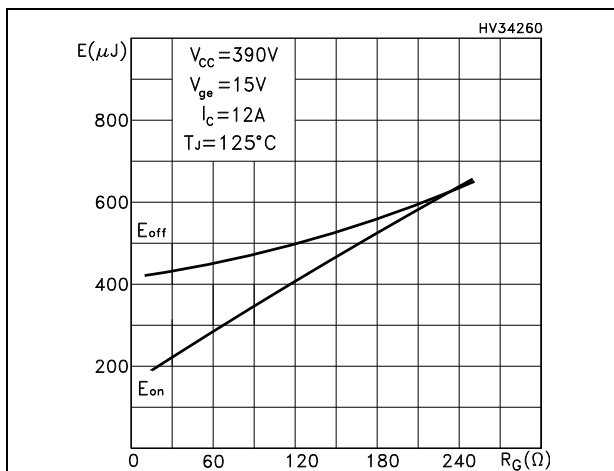


Figure 13. Switching energy vs. collector current

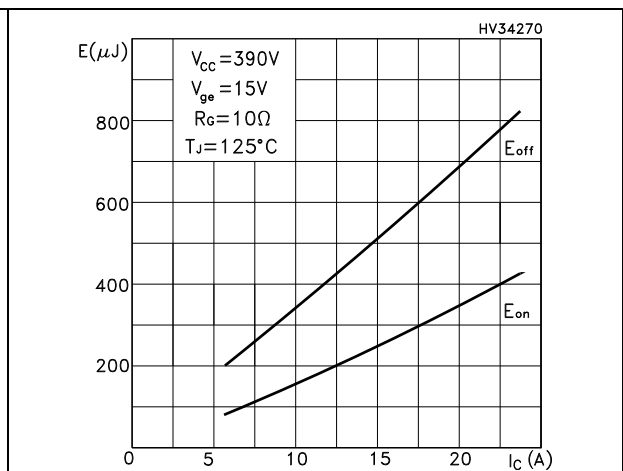


Figure 14. Turn-off SOA

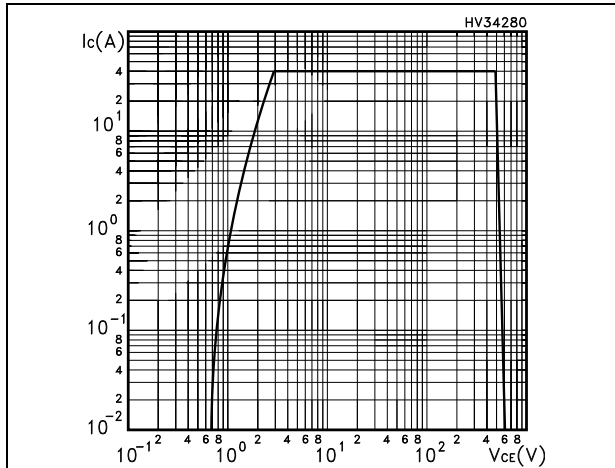


Figure 15. Thermal impedance for TO-247

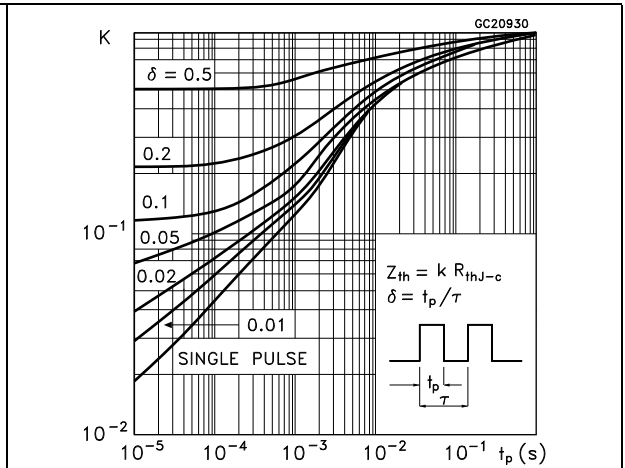


Figure 16. Thermal impedance for TO-220, D<sup>2</sup>PAK

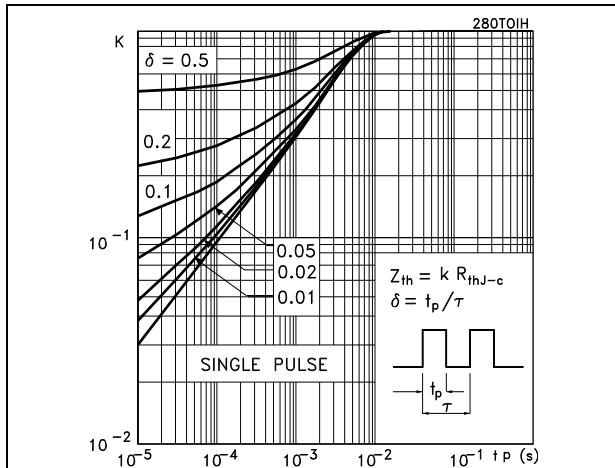


Figure 17. Thermal impedance for TO-220FP

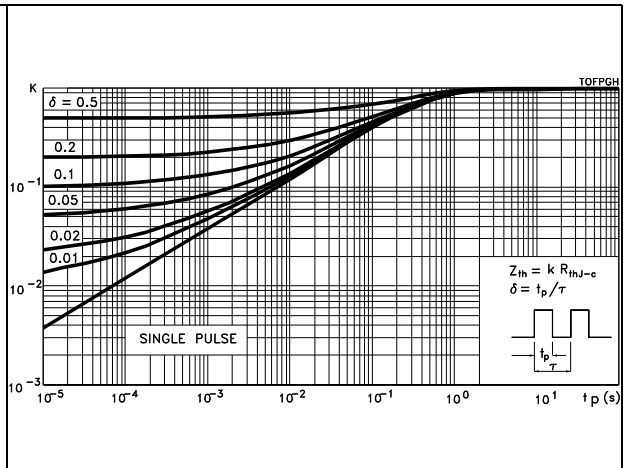
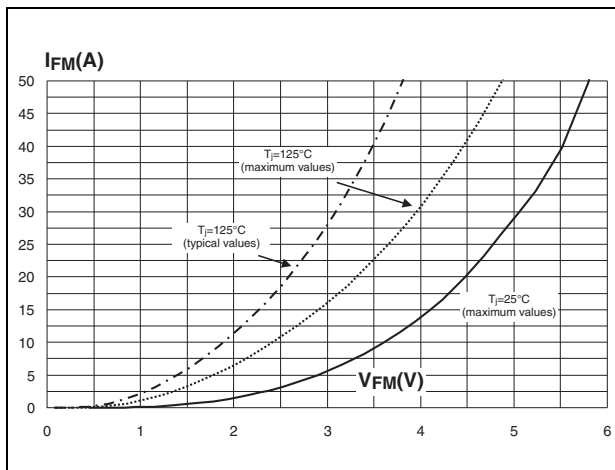


Figure 18. Forward voltage drop vs. forward current





## 4 Package information

In order to meet environmental requirements, ST offers these devices in different grades of ECOPACK® packages, depending on their level of environmental compliance. ECOPACK® specifications, grade definitions and product status are available at: [www.st.com](http://www.st.com). ECOPACK is an ST trademark.

### 4.1 D<sup>2</sup>PAK (TO-263) package information

Figure 23. D<sup>2</sup>PAK (TO-263) type A package outline

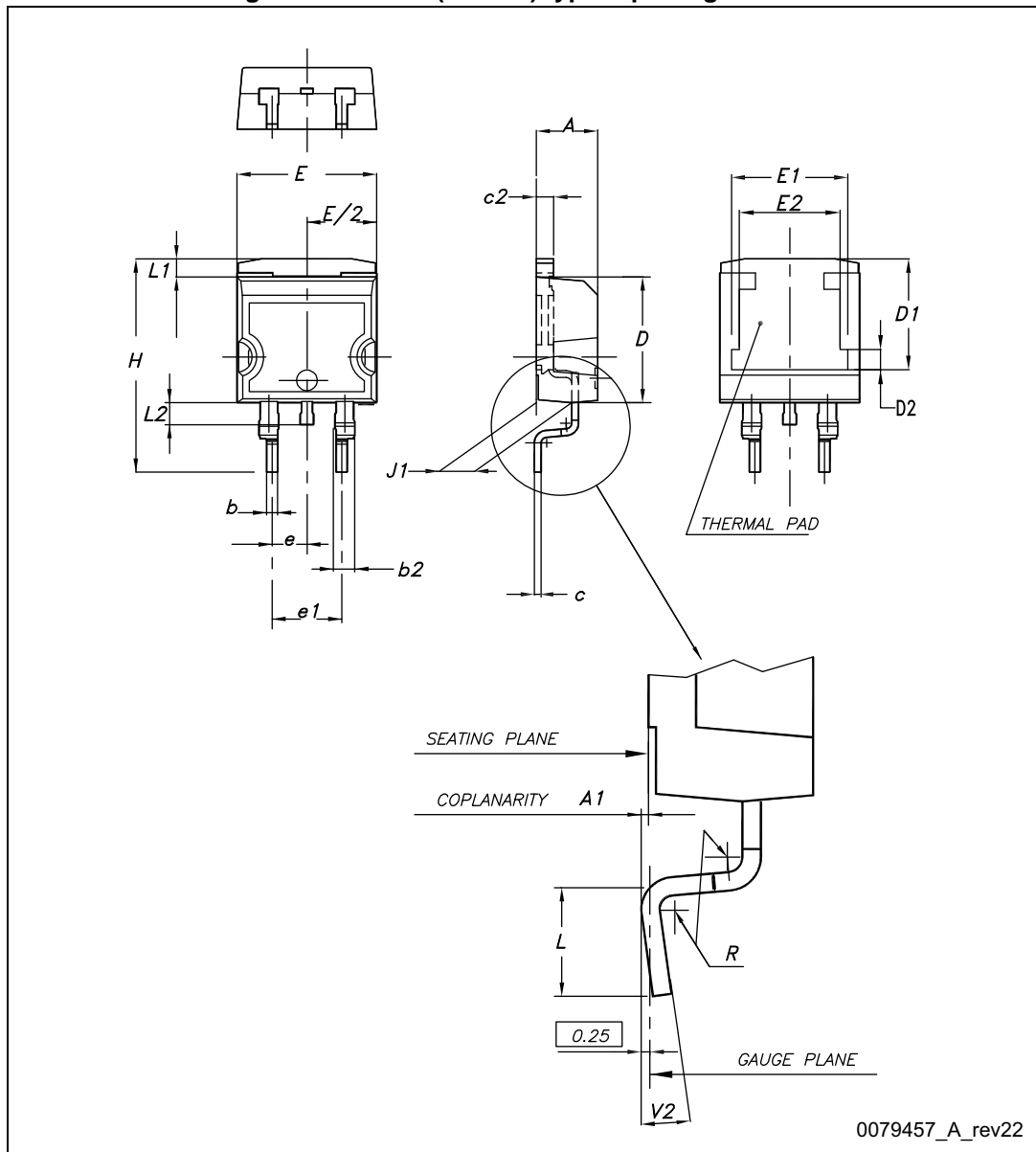
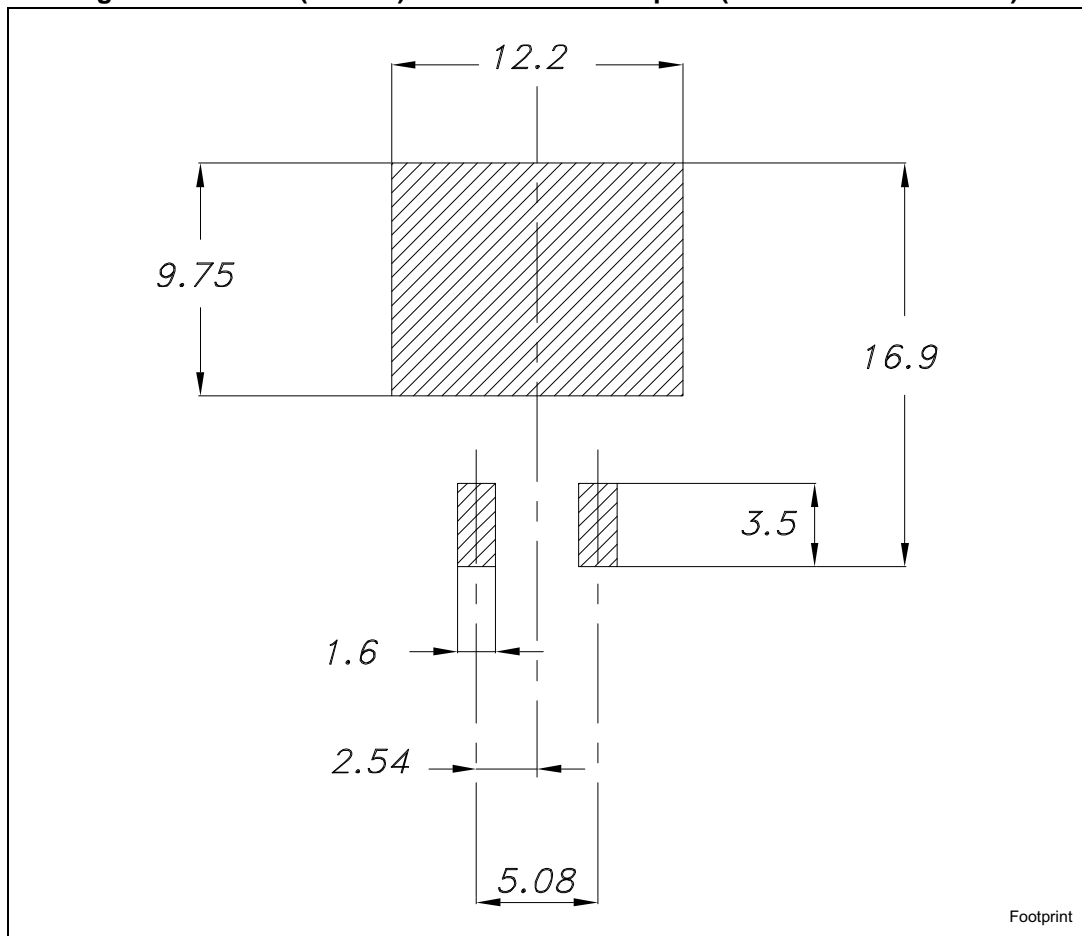


Table 9. D<sup>2</sup>PAK (TO-263) type A mechanical data

Dim.	mm		
	Min.	Typ.	Max.
A	4.40		4.60
A1	0.03		0.23
b	0.70		0.93
b2	1.14		1.70
c	0.45		0.60
c2	1.23		1.36
D	8.95		9.35
D1	7.50	7.75	8.00
D2	1.10	1.30	1.50
E	10.00		10.40
E1	8.50	8.70	8.90
E2	6.85	7.05	7.25
e		2.54	
e1	4.88		5.28
H	15.00		15.85
J1	2.49		2.69
L	2.29		2.79
L1	1.27		1.40
L2	1.30		1.75
R		0.4	
V2	0°		8°

Figure 24. D<sup>2</sup>PAK (TO-263) recommended footprint (dimensions are in mm)

Footprint

### 4.2 TO-220FP package information

Figure 25. TO-220FP package outline

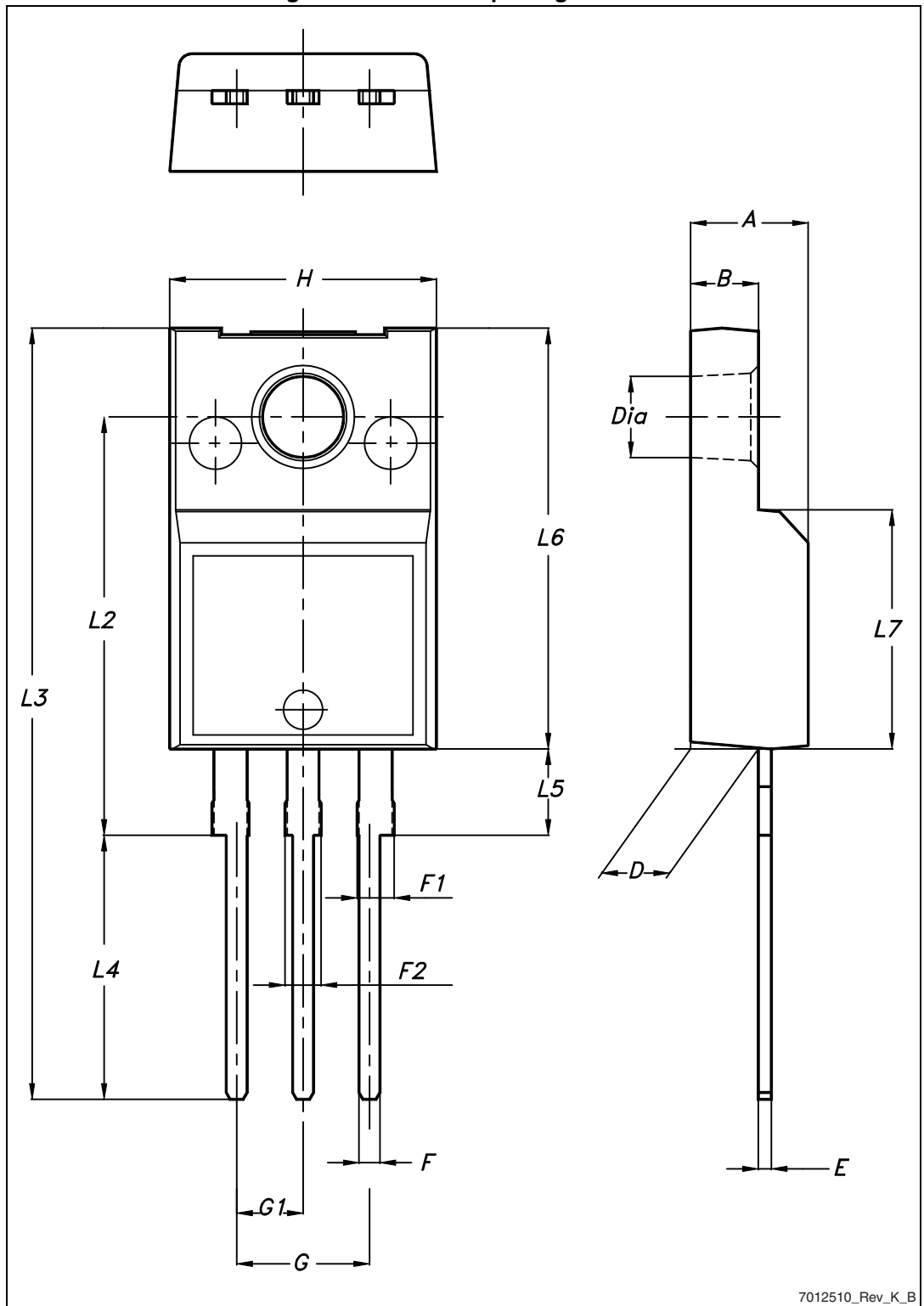
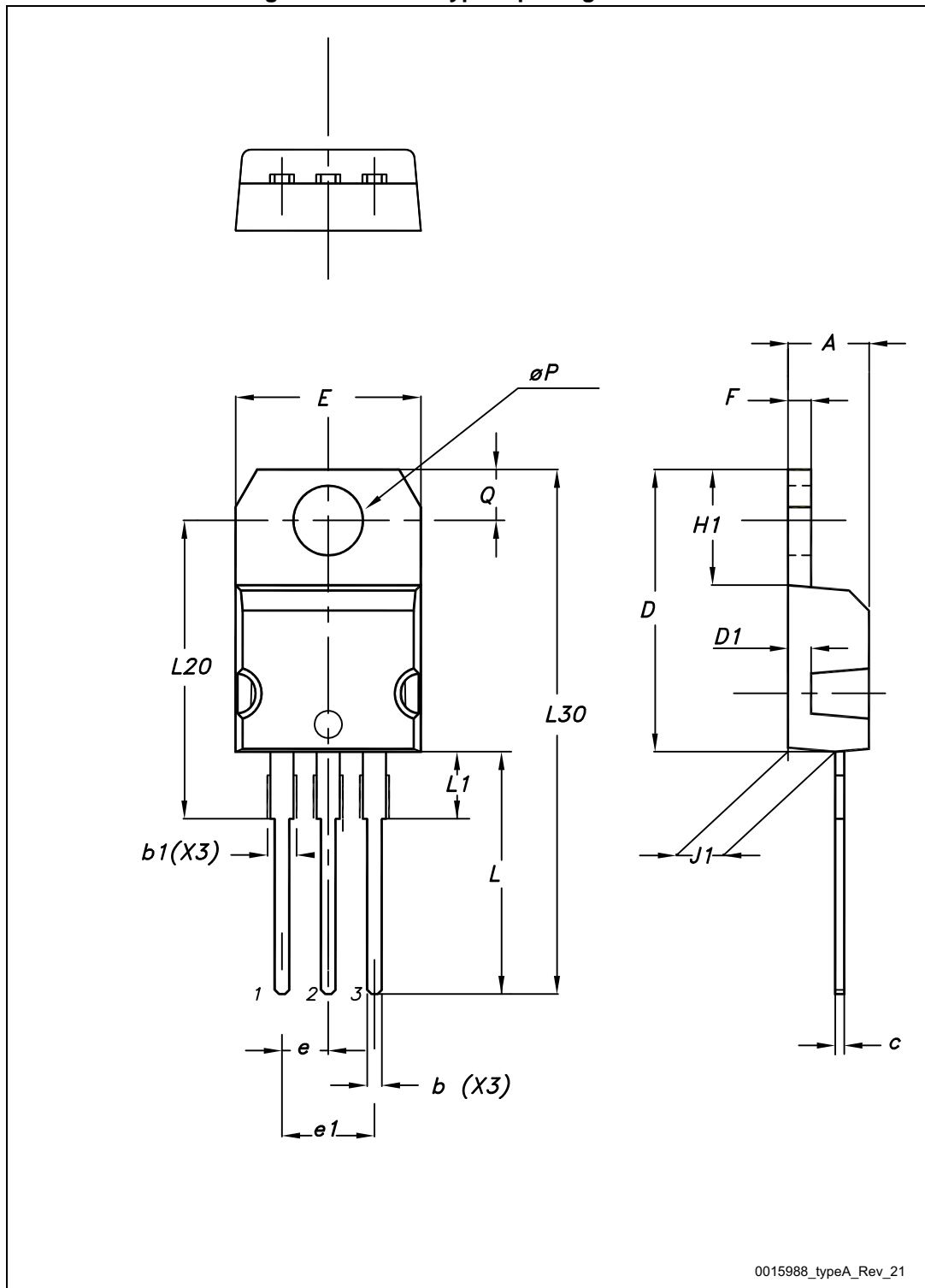


Table 10. TO-220FP package mechanical data

Dim.	mm		
	Min.	Typ.	Max.
A	4.4		4.6
B	2.5		2.7
D	2.5		2.75
E	0.45		0.7
F	0.75		1
F1	1.15		1.70
F2	1.15		1.70
G	4.95		5.2
G1	2.4		2.7
H	10		10.4
L2		16	
L3	28.6		30.6
L4	9.8		10.6
L5	2.9		3.6
L6	15.9		16.4
L7	9		9.3
Dia	3		3.2

### 4.3 TO-220 package information

Figure 26. TO-220 type A package outline



0015988\_typeA\_Rev\_21

Table 11. TO-220 type A mechanical data

Dim.	mm.		
	Min.	Typ.	Max.
A	4.40		4.60
b	0.61		0.88
b1	1.14		1.55
c	0.48		0.70
D	15.25		15.75
D1		1.27	
E	10.00		10.40
e	2.40		2.70
e1	4.95		5.15
F	1.23		1.32
H1	6.20		6.60
J1	2.40		2.72
L	13.00		14.00
L1	3.50		3.93
L20		16.40	
L30		28.90	
ØP	3.75		3.85
Q	2.65		2.95

### 4.4 TO-247 package information

Figure 27. TO-247 package outline

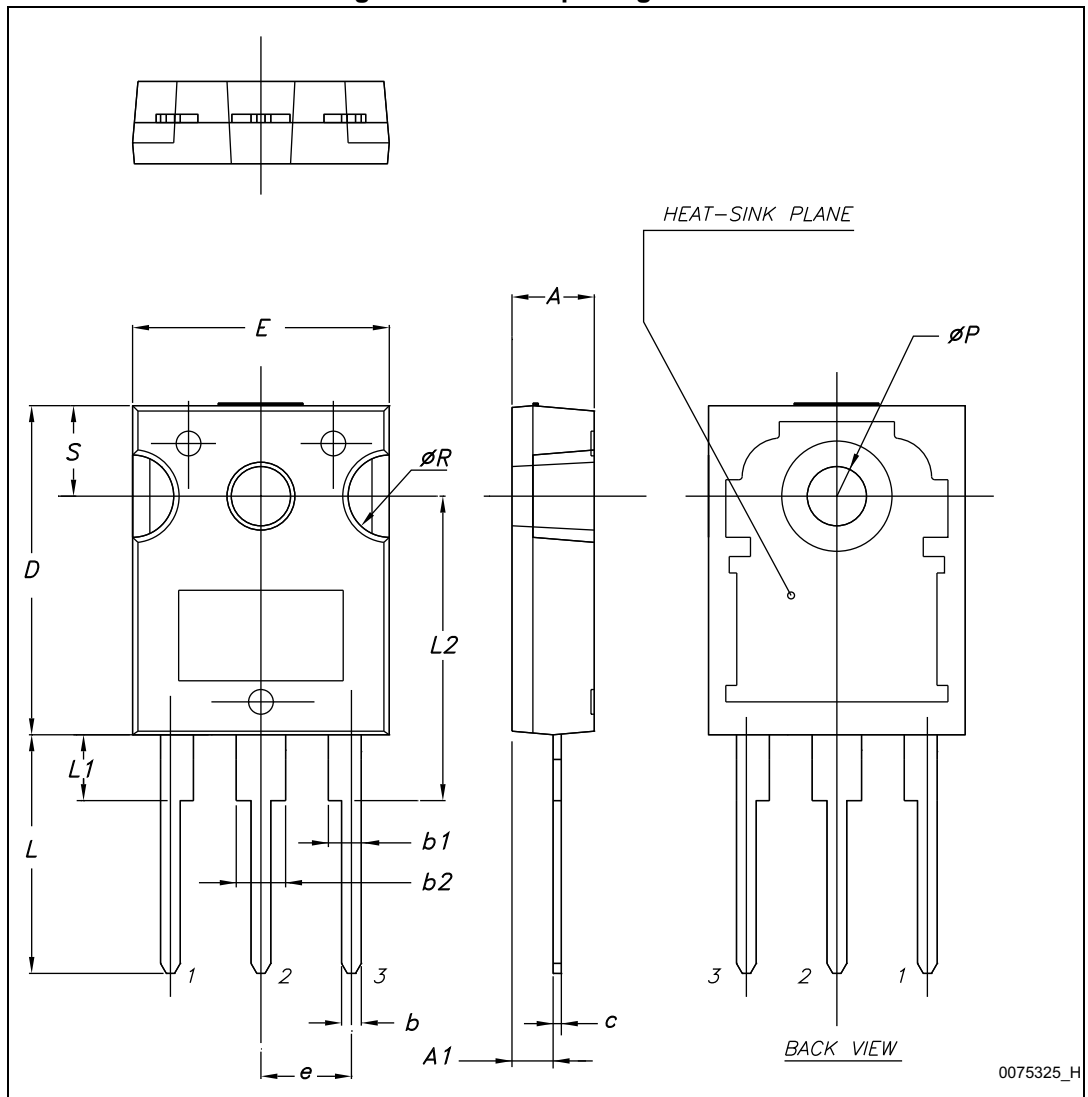


Table 12. TO-247 package mechanical data

Dim.	mm.		
	Min.	Typ.	Max.
A	4.85		5.15
A1	2.20		2.60
b	1.0		1.40
b1	2.0		2.40
b2	3.0		3.40
c	0.40		0.80
D	19.85		20.15
E	15.45		15.75
e	5.30	5.45	5.60
L	14.20		14.80
L1	3.70		4.30
L2		18.50	
ØP	3.55		3.65
ØR	4.50		5.50
S	5.30	5.50	5.70

# 5 Packing information

Figure 28. D<sup>2</sup>PAK (TO-263) tape outline

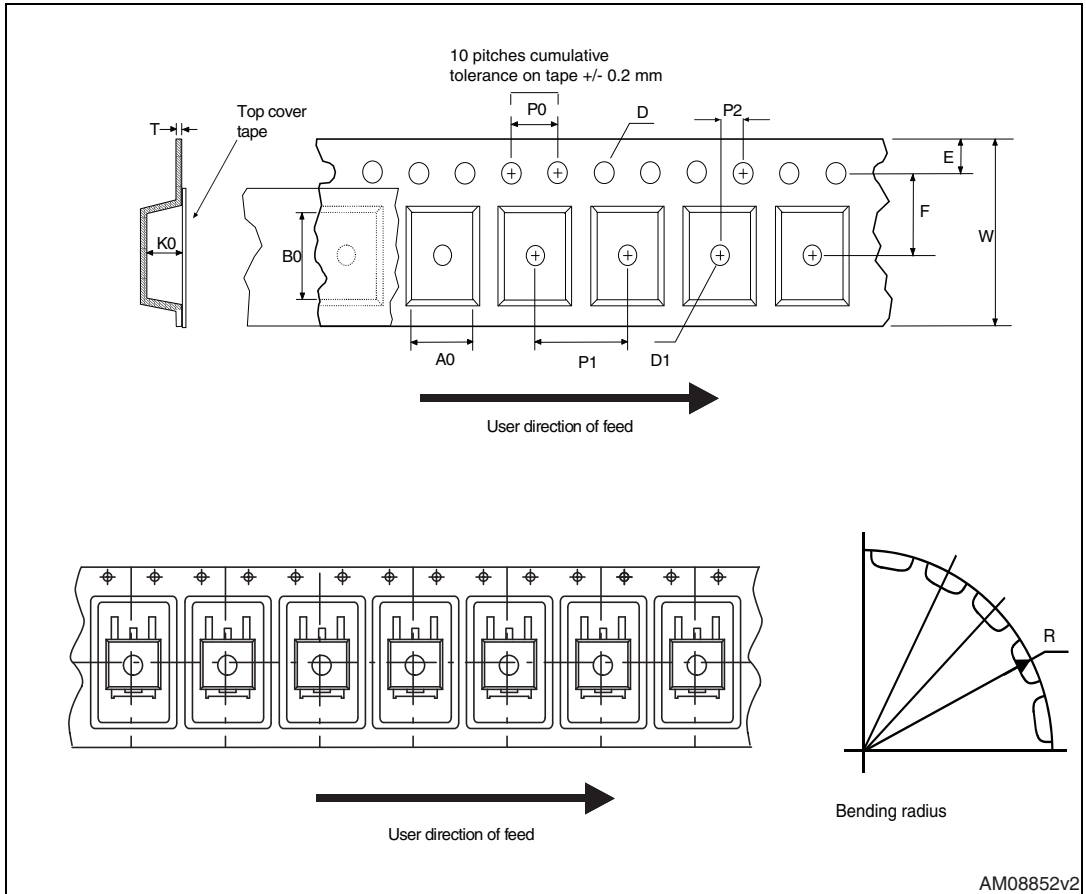
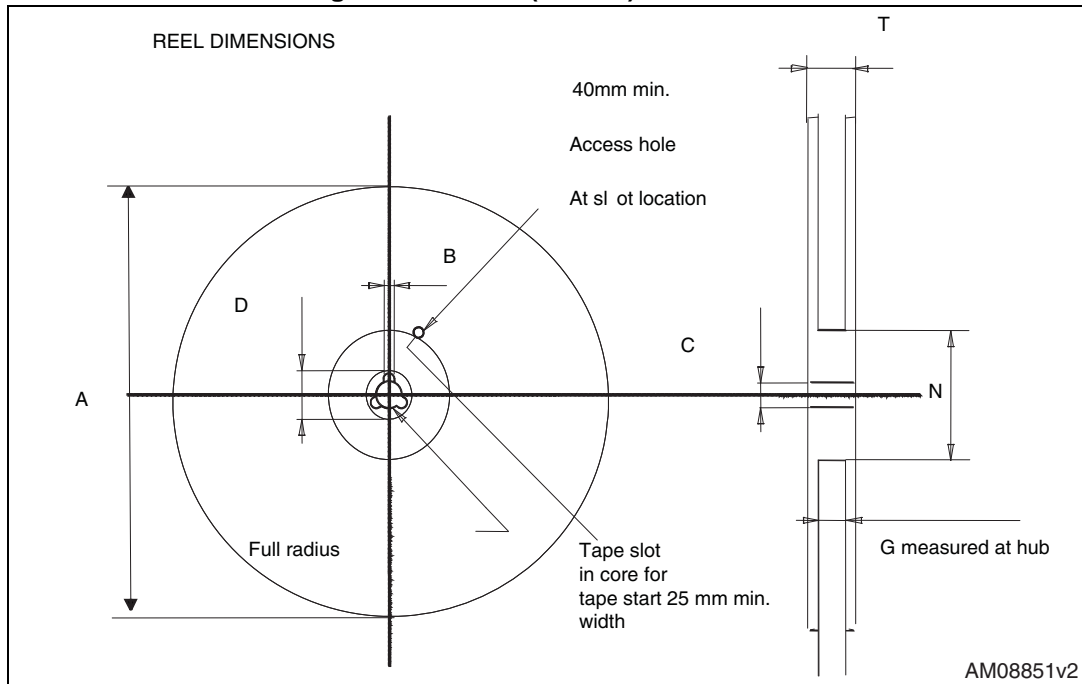


Figure 29. D<sup>2</sup>PAK (TO-263) reel outline



AM08851v2

Table 13. D<sup>2</sup>PAK (TO-263) tape and reel mechanical data

Tape			Reel		
Dim.	mm.		Dim.	mm.	
	Min.	Max.		Min.	Max.
A0	10.5	10.7	A		330
B0	15.7	15.9	B	1.5	
D	1.5	1.6	C	12.8	13.2
D1	1.59	1.61	D	20.2	
E	1.65	1.85	G	24.4	26.4
F	11.4	11.6	N	100	
K0	4.8	5.0	T		30.4
P0	3.9	4.1			
P1	11.9	12.1		Base qty	1000
P2	1.9	2.1		Bulk qty	1000
R	50				
T	0.25	0.35			
W	23.7	24.3			

## 6 Revision history

Table 14. Document revision history

Date	Revision	Changes
02-Nov-2006	1	Initial release.
05-Jan-2007	2	Complete version.
01-Jul-2008	3	Modified: <i>Table 2: Absolute maximum ratings</i> . Inserted new packages, mechanical data: TO-220FP, TO-247.
13-Oct-2008	4	$V_{ISO}$ inserted in <i>Table 2</i> for TO-220FP.
15-May-2009	5	Updated $I_{CP}$ value.
19-May-2009	6	Updated: mechanical data for TO-220FP.
24-Nov-2010	7	Inserted new order code STGWA19NC60HD in TO-247 long leads package.
14-Dec-2010	8	Updated <i>Table 4: Static</i> .
02-Sep-2011	9	Removed order code STGWA19NC60HD in TO-247 long leads package.
06-Sep-2016	10	Added <a href="#">Section 5.2: TO-247 package information</a> . Minor text changes.

**IMPORTANT NOTICE – PLEASE READ CAREFULLY**

STMicroelectronics NV and its subsidiaries ("ST") reserve the right to make changes, corrections, enhancements, modifications, and improvements to ST products and/or to this document at any time without notice. Purchasers should obtain the latest relevant information on ST products before placing orders. ST products are sold pursuant to ST's terms and conditions of sale in place at the time of order acknowledgement.

Purchasers are solely responsible for the choice, selection, and use of ST products and ST assumes no liability for application assistance or the design of Purchasers' products.

No license, express or implied, to any intellectual property right is granted by ST herein.

Resale of ST products with provisions different from the information set forth herein shall void any warranty granted by ST for such product.

ST and the ST logo are trademarks of ST. All other product or service names are the property of their respective owners.



Information in this document supersedes and replaces information previously supplied in any prior versions of this document.

© 2016 STMicroelectronics – All rights reserved



## Looking for pricing, stock, or lifecycle information?

Click below to explore more details on WIN SOURCE:

-  [View STGB19NC60HDT4 on WIN SOURCE](#)
-  [STMicroelectronics](#) Information

## Optimize Your Supply Chain with WIN SOURCE Solutions

-  Global Sourcing Solution
-  Obsolete Management
-  Cost Control Management
-  Shortage Management
-  Alternative Solution
-  Excess Inventory Management