



**THE DATASHEET OF  
AD1851RZ-J**



## AD1851/AD1861

### FEATURES

- 110 dB SNR
- Fast Settling Permits  $16 \times$  Oversampling
- $\pm 3$  V Output
- Optional Trim Allows Super-Linear Performance
- $\pm 5$  V Operation
- 16-Pin Plastic DIP and SOIC Packages
- Pin-Compatible with AD1856 & AD1860 Audio DACs
- 2s Complement, Serial Input

### APPLICATIONS

- High-End Compact Disc Players
- Digital Audio Amplifiers
- DAT Recorders and Players
- Synthesizers and Keyboards

### PRODUCT DESCRIPTION

The AD1851/AD1861 is a monolithic PCM audio DAC. The AD1851 is a 16-bit device, while the AD1861 is an 18-bit device. Each device provides a voltage output amplifier, DAC, serial-to-parallel register and voltage reference. The digital portion of the AD1851/AD1861 is fabricated with CMOS logic elements that are provided by Analog Devices'  $2 \mu\text{m}$  ABCMOS process. The analog portion of the AD1851/AD1861 is fabricated with bipolar and MOS devices as well as thin-film resistors.

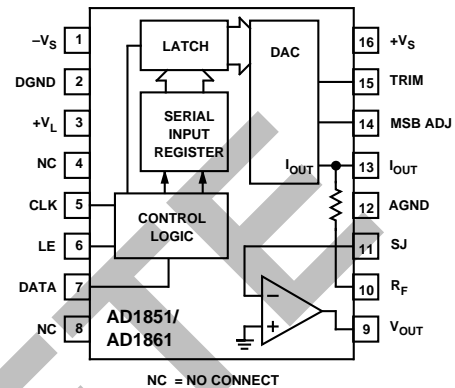
This combination of circuit elements, as well as careful design and layout techniques, results in high performance audio playback. Laser-trimming of the linearity error affords low total harmonic distortion. An optional linearity trim pin is provided to allow residual differential linearity error at midscale to be eliminated. This feature is particularly valuable for low distortion reproductions of low amplitude signals. Output glitch is also small, contributing to the overall high level of performance. The output amplifier achieves fast settling and high slew rates, providing a full  $\pm 3$  V signal at load currents up to 8 mA. When used in current output mode, the AD1851/AD1861 provides a  $\pm 1$  mA output signal. The output amplifier is short circuit protected and can withstand indefinite shorts to ground.

The serial input interface consists of the clock, data and latch enable pins. The serial 2s complement data word is clocked into the DAC, MSB first, by the external clock. The latch enable signal transfers the input word from the internal serial input register to the parallel DAC input register. The AD1851 input clock can support a 12.5 MHz data rate, while the AD1861 input clock can support a 13.5 MHz data rate. This serial input port is compatible with second generation digital filter chips used in consumer audio products. These filters operate at oversampling rates of  $2 \times$ ,  $4 \times$ ,  $8 \times$  and  $16 \times$  sampling frequencies.

### REV. A

Information furnished by Analog Devices is believed to be accurate and reliable. However, no responsibility is assumed by Analog Devices for its use, nor for any infringements of patents or other rights of third parties which may result from its use. No license is granted by implication or otherwise under any patent or patent rights of Analog Devices.

### FUNCTIONAL BLOCK DIAGRAM



The critical specifications of THD+N and signal-to-noise ratio are 100% tested for all devices.

The AD1851/AD1861 operates with  $\pm 5$  V power supplies, making it suitable for home use markets. The digital supply,  $V_L$ , can be separated from the analog supplies,  $V_S$  and  $-V_S$ , for reduced digital crosstalk. Separate analog and digital ground pins are also provided. Power dissipation is 100 mW typical.

The AD1851/AD1861 is available in either a 16-pin plastic DIP or a 16-pin plastic SOIC package. Both packages incorporate the industry standard pinout found on the AD1856 and AD1860 PCM audio DACs. As a result, the AD1851/AD1861 is a drop-in replacement for designs where  $\pm 5$  V supplies have been used with the AD1856/AD1860. Operation is guaranteed over the temperature range of  $-25^\circ\text{C}$  to  $+70^\circ\text{C}$  and over the voltage supply range of  $\pm 4.75$  V to  $\pm 5.25$  V.

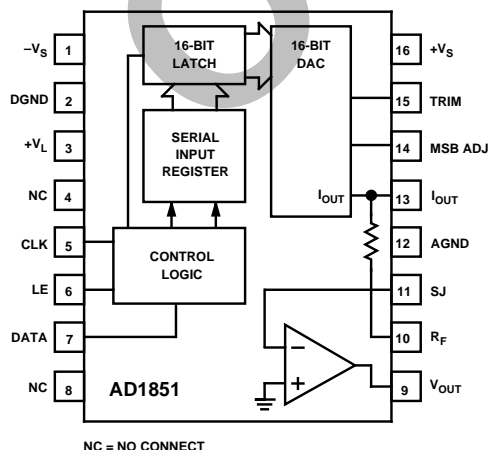
### PRODUCT HIGHLIGHTS

1. AD1851 16-bit resolution provides 96 dB dynamic range.  
AD1861 18-bit resolution provides 108 dB dynamic range.
2. No external components are required.
3. Operates with  $\pm 5$  V supplies.
4. Space saving 16-pin SOIC and plastic DIP packages.
5. 100 mW power dissipation.
6. High input clock data rates and  $1.5 \mu\text{s}$  settling time permits  $2 \times$ ,  $4 \times$ ,  $8 \times$  and  $16 \times$  oversampling.
7.  $\pm 3$  V or  $\pm 1$  mA output capability.
8. THD + Noise and SNR are 100% tested.
9. Pin-compatible with AD1856 & AD1860 PCM audio DACs.

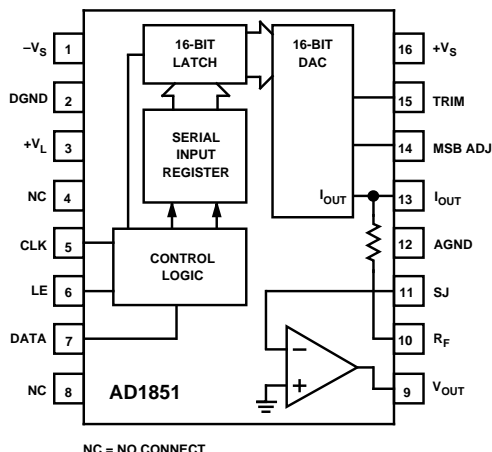
# AD1851/AD1861—SPECIFICATIONS ( $T_A$ @ +25°C and $\pm 5$ V supplies, unless otherwise noted)

	Min	Typ	Max	Units
<b>DIGITAL INPUTS</b>				
$V_{IH}$	2.0		$+V_L$	V
$V_{IL}$			0.8	V
$I_{IH}, V_{IH} = V_L$			1.0	$\mu$ A
$I_{IL}, V_{IL} = 0.4$			-10	$\mu$ A
<b>ACCURACY</b>				
Gain Error		$\pm 1$		%
Midscale Output Voltage		$\pm 10$		mV
<b>DRIFT (0°C to +70°C)</b>				
Total Drift		$\pm 25$		ppm of FSR/°C
Bipolar Zero Drift		$\pm 4$		ppm of FSR/°C
<b>SETTLING TIME (<math>T_o</math> <math>\pm 0.0015\%</math> of FSR)</b>				
Voltage Output				
6 V Step		1.5		$\mu$ s
1 LSB Step		1.0		$\mu$ s
Slew Rate		9		V/ $\mu$ s
Current Output				
1 mA Step 10 $\Omega$ to 100 $\Omega$ Load		350		ns
1 k $\Omega$ Load		350		ns
<b>OUTPUT</b>				
Voltage Output Configuration				
Bipolar Range	$\pm 2.88$	$\pm 3.0$	$\pm 3.12$	V
Output Current	$\pm 8$			mA
Output Impedance		0.1		$\Omega$
Short Circuit Duration		Indefinite to Common		
Current Output Configuration				
Bipolar Range ( $\pm 30\%$ )		$\pm 1.0$		mA
Output Impedance ( $\pm 30\%$ )		1.7		k $\Omega$
<b>POWER SUPPLY</b>				
Voltage				
$+V_L$ and $+V_S$	4.75		5.25	V
$-V_S$	-5.25		-4.75	V
<b>TEMPERATURE RANGE</b>				
Specification	0	+25	+70	°C
Operation	-25		+70	°C
Storage	-60		+100	°C
<b>WARM-UP TIME</b>				
	1			min

Specifications subject to change without notice.



AD1851 Functional Block Diagram



AD1861 Functional Block Diagram

# AD1851

# AD1851/AD1861

	Min	Typ	Max	Units
RESOLUTION			16	Bits
TOTAL HARMONIC DISTORTION + NOISE				
0 dB, 990.5 Hz				
AD1851N-J, R-J		0.003	<b>0.004</b>	%
AD1851N, R		0.004	<b>0.008</b>	%
-20 dB, 990.5 Hz				
AD1851N-J, R-J		0.009	<b>0.016</b>	%
AD1851N, R		0.009	<b>0.040</b>	%
-60 dB, 990.5 Hz				
AD1851N-J, R-J		0.9	<b>1.6</b>	%
AD1851N, R		0.9	<b>4.0</b>	%
D-RANGE* (With A-Weight Filter)				
-60 dB, 990.5 Hz AD1851N, R	<b>88</b>			dB
AD1851N-J, R-J	<b>96</b>			dB
SIGNAL-TO-NOISE RATIO	<b>107</b>	110		dB
MAXIMUM CLOCK INPUT FREQUENCY	<b>12.5</b>			MHz
ACCURACY				
Differential Linearity Error		±0.001		% of FSR
MONOTONICITY		14		Bits
POWER SUPPLY				
Current				
+I		10.0	<b>13.0</b>	mA
-I		-10.0	<b>-15.0</b>	mA
Power Dissipation		100		mW

# AD1861

	Min	Typ	Max	Units
RESOLUTION			18	Bits
TOTAL HARMONIC DISTORTION + NOISE				
0 dB, 990.5 Hz				
AD1861N-J, R-J		0.003	<b>0.004</b>	%
AD1861N, R		0.004	<b>0.008</b>	%
-20 dB, 990.5 Hz				
AD1861N-J, R-J		0.009	<b>0.016</b>	%
AD1861N, R		0.009	<b>0.040</b>	%
-60 dB, 990.5 Hz				
AD1861N-J, R-J		0.9	<b>1.6</b>	%
AD1861N, R		0.9	<b>4.0</b>	%
D-RANGE* (With A-Weight Filter)				
-60 dB, 990.5 Hz AD1861N, R	<b>88</b>			dB
AD1861N-J, R-J	<b>96</b>			dB
SIGNAL-TO-NOISE RATIO	<b>107</b>	110		dB
MAXIMUM CLOCK INPUT FREQUENCY	<b>13.5</b>			MHz
ACCURACY				
Differential Linearity Error		±0.001		% of FSR
MONOTONICITY		15		Bits
POWER SUPPLY				
Current				
+I		10.0	<b>13.0</b>	mA
-I		-10.0	<b>-15.0</b>	mA
Power Dissipation		100		mW

\*Tested in accordance with EIAJ Test Standard CP-307.

Specifications subject to change without notice.

# AD1851/AD1861

## ABSOLUTE MAXIMUM RATINGS\*

$V_L$ to DGND	0 V to 6.50 V
$V_S$ to AGND	0 V to 6.50 V
$-V_S$ to AGND	-6.50 V to 0 V
Digital Inputs to DGND	-0.3 V to $V_L$
AGND to DGND	$\pm 0.3$ V
Short Circuit	Indefinite Short to Ground
Soldering	+300°C, 10 sec
Storage Temperature	-60°C to +100°C

\*Stresses greater than those listed under "Absolute Maximum Ratings" may cause permanent damage to the device. This is a stress rating only and functional operation of the device at these or any other conditions above those indicated in the operational section of this specification is not implied. Exposure to absolute maximum rating conditions for extended periods may affect device reliability.

## ORDERING GUIDE

Model	Resolution	THD + N	Package Option*
AD1851N	16 Bits	0.008%	N-16
AD1851N-J	16 Bits	0.004%	N-16
AD1851R	16 Bits	0.008%	R-16
AD1851R-J	16 Bits	0.004%	R-16
AD1861N	18 Bits	0.008%	N-16
AD1861N-J	18 Bits	0.004%	N-16
AD1861R	18 Bits	0.008%	R-16
AD1861R-J	18 Bits	0.004%	R-16

\*N = Plastic DIP Package; R = Small Outline (SOIC) Package.

## CAUTION

ESD (electrostatic discharge) sensitive device. The digital control inputs are diode protected; however, permanent damage may occur on unconnected devices subject to high energy electrostatic fields. Unused devices must be stored in conductive foam or shunts. The protective foam should be discharged to the destination socket before devices are inserted.

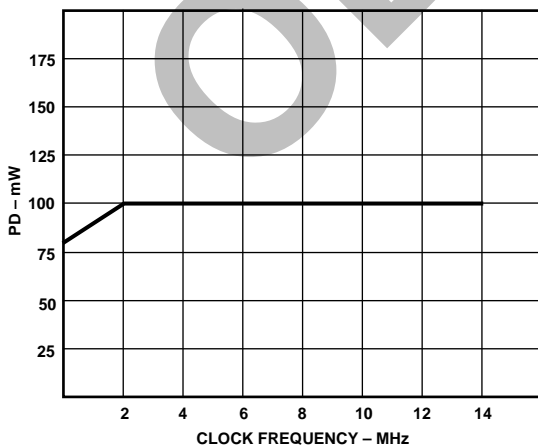
## PIN DESCRIPTIONS

1	$-V_S$	Analog Negative Power Supply
2	DGND	Logic Ground
3	$V_L$	Logic Positive Power Supply
4	NC	No Connection
5	CLK	Clock Input
6	LE	Latch Enable Input
7	DATA	Serial Data Input
8	NC	No Internal Connection*
9	$V_{OUT}$	Voltage Output
10	$R_F$	Feedback Resistor
11	SJ	Summing Junction
12	AGND	Analog Ground
13	$I_{OUT}$	Current Output
14	MSB ADJ	MSB Adjustment Terminal
15	TRIM	MSB Trimming Potentiometer Terminal
16	$V_S$	Analog Positive Power Supply

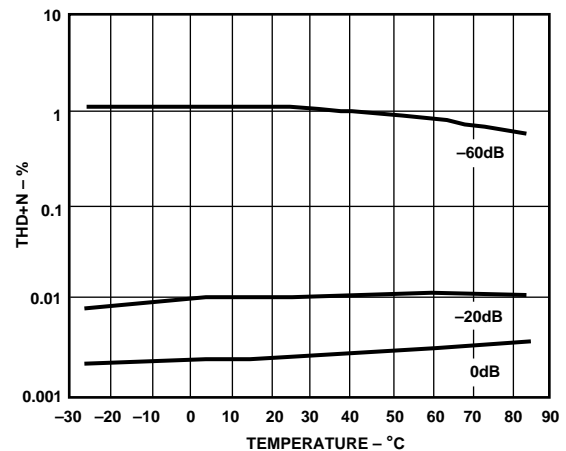
\*Pin 8 has no internal connection;  $-V_L$  from AD1856 or AD1860 socket can be safely applied.



## Typical Performance



Power Dissipation vs. Clock Frequency



THD vs. Temperature

### TOTAL HARMONIC DISTORTION

Total harmonic distortion plus noise (THD+N) is defined as the ratio of the square root of the sum of the squares of the values of the first 19 harmonics and noise to the value of the fundamental input frequency. It is usually expressed in percent (%).

THD+N is a measure of the magnitude and distribution of linearity error, differential linearity error, quantization error and noise. The distribution of these errors may be different, depending on the amplitude of the output signal. Therefore, to be most useful, THD+N should be specified for both large (0 dB) and small signal amplitudes (-20 dB and -60 dB).

The THD+N figure of an audio DAC represents the amount of undesirable signal produced during reconstruction and playback of an audio waveform. This specification, therefore, provides a direct method to classify and choose an audio DAC for a desired level of performance.

### SETTLING TIME

Settling time is the time required for the output of the DAC to reach and remain within a specified error band about its final value, measured from the digital input transition. It is a primary measure of dynamic performance.

### MIDSCALE ERROR

Midscale error, or bipolar zero error, is the deviation of the actual analog output from the ideal output (0 V) when the 2<sup>s</sup> complement input code representing half scale is loaded in the input register.

### D-RANGE DISTORTION

D-range distortion is equal to the value of the total harmonic distortion + noise (THD+N) plus 60 dB when a signal level of -60 dB below full scale is reproduced. D-range is tested with a 1 kHz input sine wave. This is measured with a standard A-weight filter as specified by EIAJ Standard CP-307.

### SIGNAL-TO-NOISE RATIO

The signal-to-noise ratio (SNR) is defined as the ratio of the amplitude of the output when a full-scale output is present to the amplitude of the output with no signal present. This is measured with a standard A-weight filter as specified by EIAJ Standard CP-307.

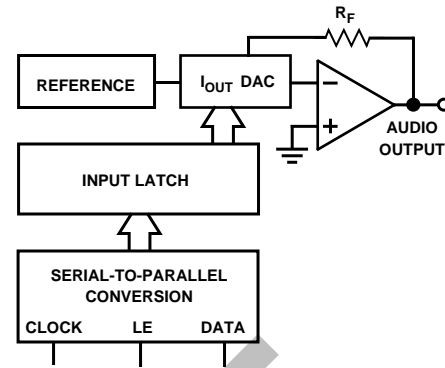


Figure 1. AD1851/AD1861 Functional Block Diagram

### FUNCTIONAL DESCRIPTION

The AD1851/AD1861 is a complete monolithic PCM audio DAC. No additional external components are required for operation. As shown in Figure 1 above, each chip contains a voltage reference, an output amplifier, a DAC, an input latch and a parallel input register.

The voltage reference consists of a bandgap circuit and buffer amplifier. This combination of elements produces a reference voltage that is unaffected by changes in temperature and age. The DAC output voltage, which is derived from the reference voltage, is also unaffected by these environmental changes.

The output amplifier uses both MOS and bipolar devices to produce low offset, high slew rate and optimum settling time. When combined with the on-chip feedback resistor, the output op amp converts the output current of the AD1851/AD1861 to a voltage output.

The DAC uses a combination of segmented decoder and R-2R architecture to achieve consistent linearity and differential linearity. The resistors which form the ladder structure are fabricated with silicon chromium thin film. Laser-trimming of these resistors further reduces linearity error, resulting in low output distortion.

The input register and serial-to-parallel converter are fabricated with CMOS logic gates. These gates allow the achievement of fast switching speeds and low power consumption. This contributes to the overall low power dissipation of the AD1851/AD1861.

# AD1851/AD1861

## Analog Circuit Considerations

### GROUNDING RECOMMENDATIONS

The AD1851/AD1861 has two ground pins, designated Analog and Digital ground. The analog ground pin is the “high quality” ground reference point for the device. The analog ground pin should be connected to the analog common point in the system. The output load should also be connected to that same point.

The digital ground pin returns ground current from the digital logic portions of the AD1851/AD1861 circuitry. This pin should be connected to the digital common point in the system.

As illustrated in Figure 2, the analog and digital grounds should be connected together at one point in the system.

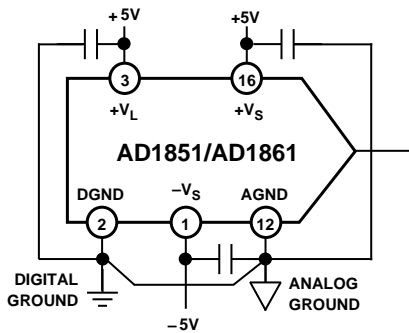


Figure 2. Recommended Circuit Schematic

### POWER SUPPLIES AND DECOUPLING

The AD1851/AD1861 has three power supply input pins. The  $\pm V_S$  supplies provide the supply voltages to operate the linear portions of the DAC including the voltage reference, output amplifier and control amplifier. The  $\pm V_S$  supplies are designed to operate at  $\pm 5$  V.

The  $+V_L$  supply operates the digital portions of the chip including the input shift register and the input latching circuitry. The  $+V_L$  supply is designed to operate at  $+5$  V.

Decoupling capacitors should be used on all power supply pins. Furthermore, good engineering practice suggests that these capacitors be placed as close as possible to the package pins as well as to the common points. The logic supply,  $+V_L$ , should be decoupled to digital common, while the analog supplies,  $\pm V_S$ , should be decoupled to analog common.

The use of three separate power supplies will reduce feedthrough from the digital portion of the system to the linear portion of the system, thus contributing to improved performance.

However, three separate voltage supplies are not necessary for good circuit performance. For example, Figure 3 illustrates a system where only a single positive and a single negative supply are available.

In this example, the positive logic and positive analog supplies must both be connected to  $+5$  V, while the negative analog supply will be connected to  $-5$  V. Performance would benefit from a measure of isolation between the supplies introduced by using simple low pass filters in the individual power supply leads.

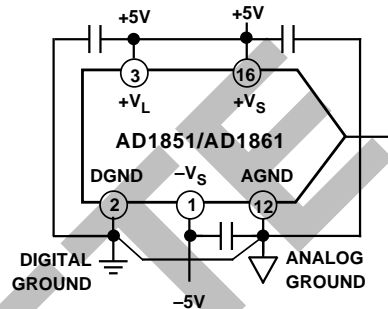


Figure 3. Alternate Recommended Schematic

As with most linear circuits, changes in the power supplies will affect the output of the DAC. Analog Devices recommends that well regulated power supplies with less than 1% ripple be incorporated into the design of any system using the AD1851/AD1861.

### OPTIONAL MSB ADJUSTMENT

Use of an optional adjustment circuit allows residual differential linearity error around midscale to be eliminated. This error is especially important when low amplitude signals are being reproduced. In those cases, as the signal amplitude decreases, the ratio of the midscale differential linearity error to the signal amplitude increases, thereby increasing THD.

Therefore, for best performance at low output levels, the optional MSB adjust circuitry shown in Figure 4 may be used to improve performance. The adjustment should be made with a small signal input ( $-20$  dB or  $-60$  dB).

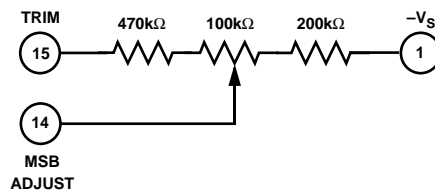


Figure 4. Optional THD Adjust Circuit

**AD1851 DIGITAL CIRCUIT CONSIDERATIONS**

**AD1851 Input Data**

Data is transmitted to the AD1851 in a bit stream composed of 16-bit words with a serial, MSB first format. Three signals must be present to achieve proper operation. They are the Data, Clock and Latch Enable (LE) signals. Input data bits are clocked into the input register on the rising edge of the Clock signal. The LSB is clocked in on the 16th clock pulse. When all data bits are loaded, a low-going Latch Enable pulse updates the DAC input. Figure 5 illustrates the general signal requirements for data transfer to the AD1851.

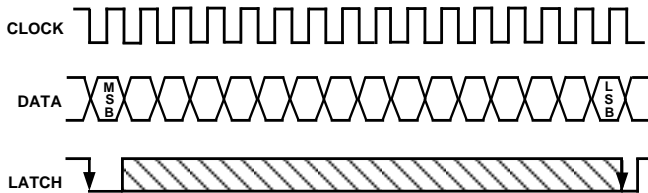


Figure 5. Signal Requirements for AD1851

Figure 6 illustrates the specific timing requirements that must be met in order for the data transfer to be accomplished properly. The input pins of the AD1851 are both TTL and 5 V CMOS compatible. The input requirements illustrated in Figures 5 and 6 are compatible with data outputs provided by popular DSP filter chips used in digital audio playback systems. The AD1851 input clock can run at a 12.5 MHz rate. This clock rate will allow data transfer rates for 2×, 4× or 8× or 16× oversampling reconstructions.

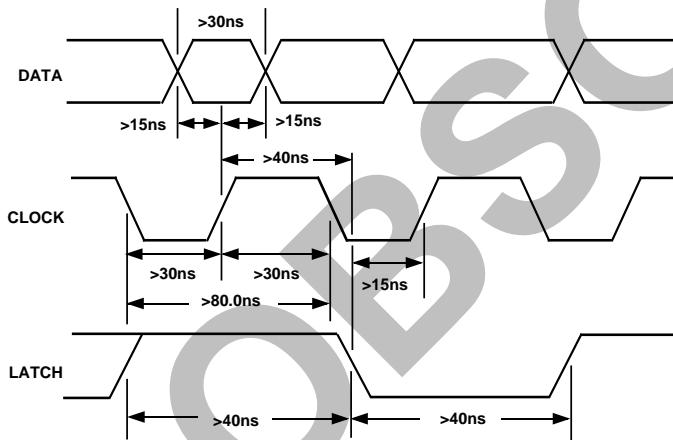


Figure 6. Timing Relationships of AD1851 Input Signals

**AD1861 DIGITAL CIRCUIT CONSIDERATIONS**

**AD1861 Input Data**

Data is transmitted to the AD1861 in a bit stream composed of 18-bit words with a serial, MSB first format. Three signals must be present to achieve proper operation. They are the Data, Clock and Latch Enable (LE) signals. Input data bits are clocked into the input register on the rising edge of the Clock signal. The LSB is clocked in on the 18th clock pulse. When all data bits are loaded, a low-going Latch Enable pulse updates the DAC input. Figure 7 illustrates the general signal requirements for data transfer to the AD1861.

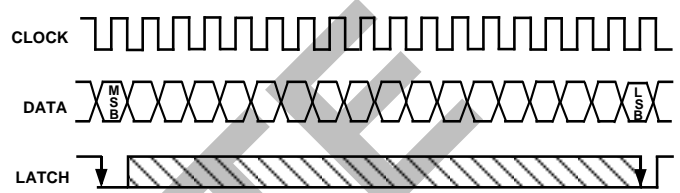


Figure 7. Signal Requirements for AD1861

Figure 8 illustrates the specific timing requirements that must be met in order for the data transfer to be accomplished properly. The input pins of the AD1861 are both TTL and 5 V CMOS compatible. The input requirements illustrated in Figures 7 and 8 are compatible with data outputs provided by popular DSP filter chips used in digital audio playback systems. The AD1861 input clock can run at a 13.5 MHz rate. This clock rate will allow data transfer rates for 2×, 4× or 8× or 16× oversampling reconstructions.

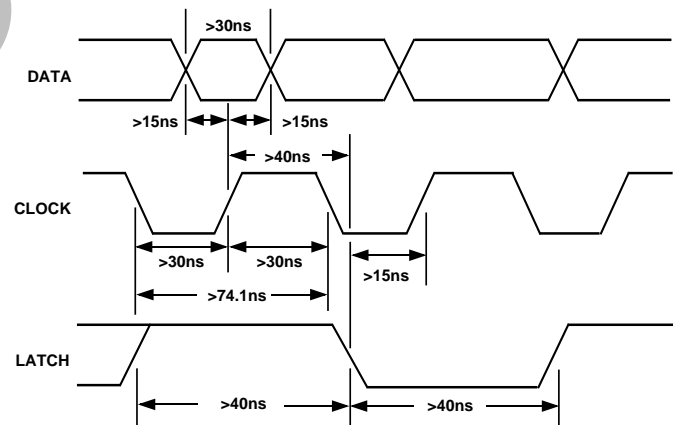


Figure 8. Timing Relationships of AD1861 Input Signals

# AD1851/AD1861

## APPLICATIONS

Figures 9 through 12 show connection diagrams for the AD1851 and AD1861 and the Yamaha YM3434 and the NPC SM5813AP/APT digital filter chips.

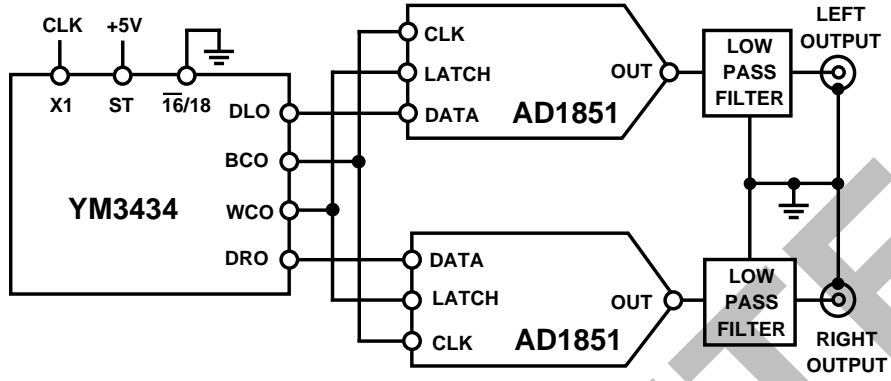


Figure 9. AD1851 with Yamaha YM3434 Digital Filter

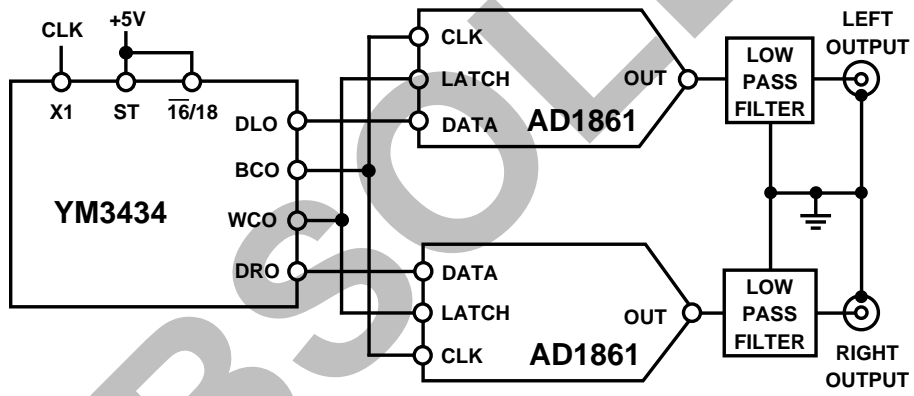


Figure 10. AD1861 with Yamaha YM3434 Digital Filter

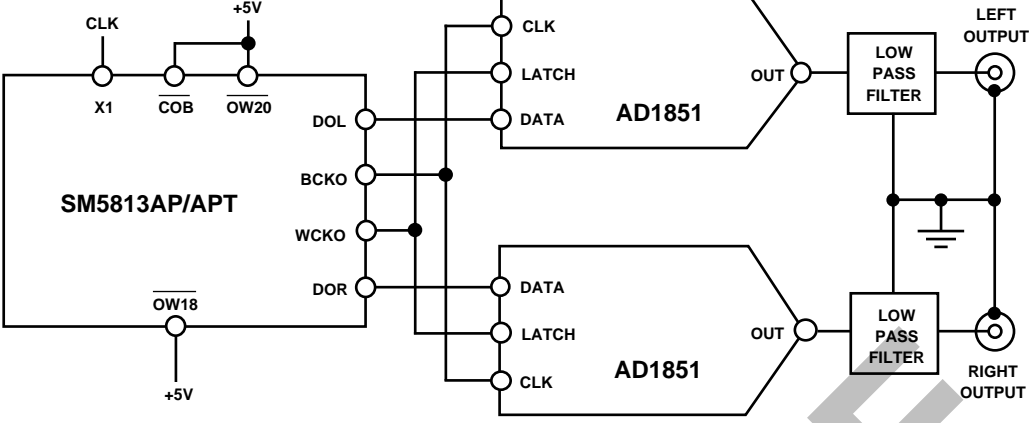


Figure 11. AD1851 with NPC SM5813AP/APT Digital Filter

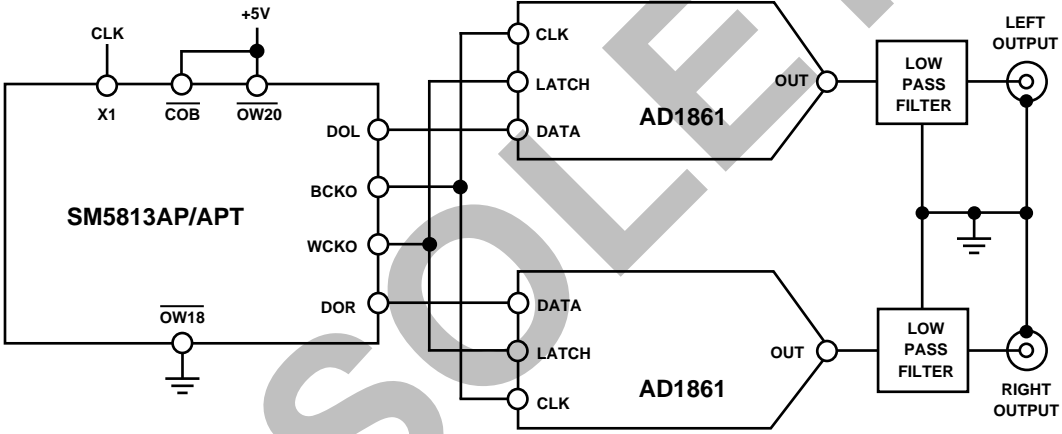
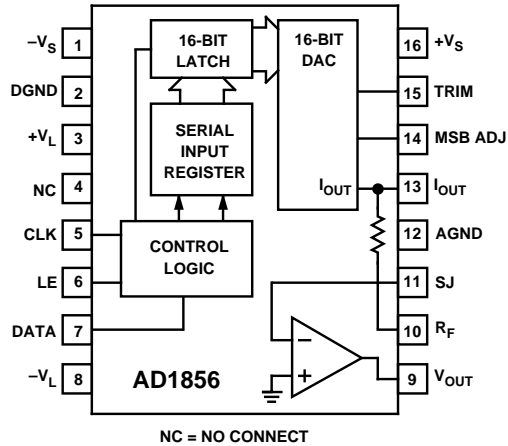


Figure 12. AD1861 with NPC SM5813AP/APT Digital Filter

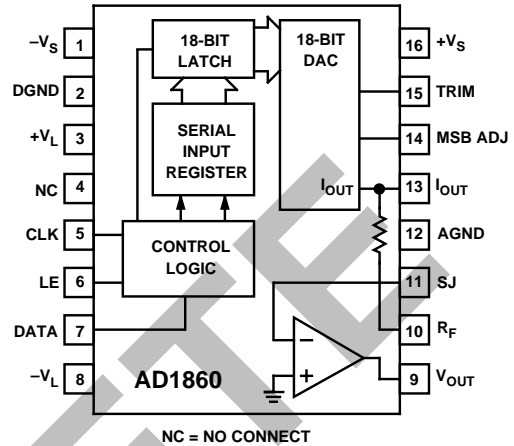
# AD1851/AD1861

## OTHER DIGITAL AUDIO COMPONENTS AVAILABLE FROM ANALOG DEVICES



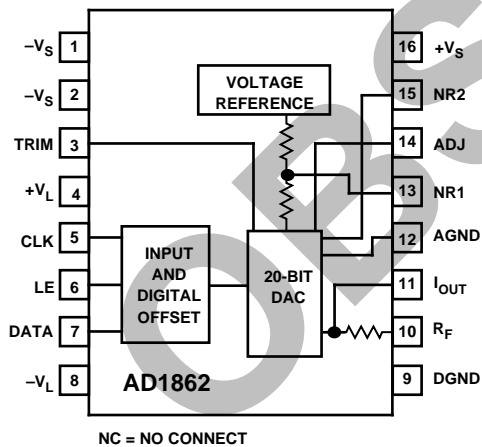
### AD1856 16-BIT AUDIO DAC

Complete, No External Components Required  
 0.0025% THD  
 Low Cost  
 16-Pin DIP or SOIC Package  
 Standard Pinout



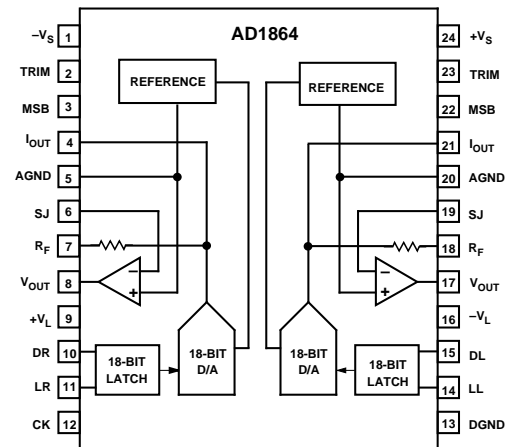
### AD1860 18-BIT AUDIO DAC

Complete, No External Components Required  
 0.0025% THD+N  
 108 dB Signal-to-Noise Ratio  
 16-Pin DIP or SOIC Package  
 Standard Pinout



### AD1862 20-BIT AUDIO DAC

119 dB Signal-to-Noise Ratio  
 0.0016% THD+N  
 102 dB D-Range Performance  
 $\pm 1$  dB Gain Linearity  
 16-Pin DIP



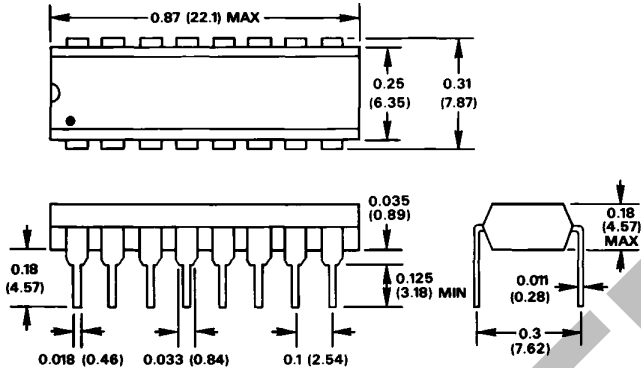
### AD1864 DUAL 18-BIT AUDIO DAC

Complete, No External Components  
 0.0025% THD+N  
 108 dB Signal-to-Noise Ratio  
 Cophased Outputs  
 24-Pin Package

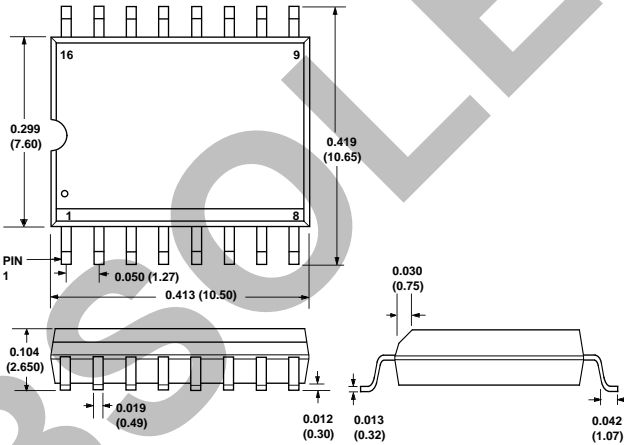
**OUTLINE DIMENSIONS**

Dimensions shown in inches and (mm).

**N (Plastic DIP) Package**



**R (SOIC Surface Mount) Package**



OBSOLETE

## Looking for pricing, stock, or lifecycle information?

Click below to explore more details on WIN SOURCE:

 [View AD1851RZ-J on WIN SOURCE](#)

 [Analog Devices Inc. Information](#)

## Optimize Your Supply Chain with WIN SOURCE Solutions

-  Global Sourcing Solution
-  Obsolete Management
-  Cost Control Management
-  Shortage Management
-  Alternative Solution
-  Excess Inventory Management