



**THE DATASHEET OF
PT-11372-G**



PART NAME

PLASTIBOX (STYLE A)

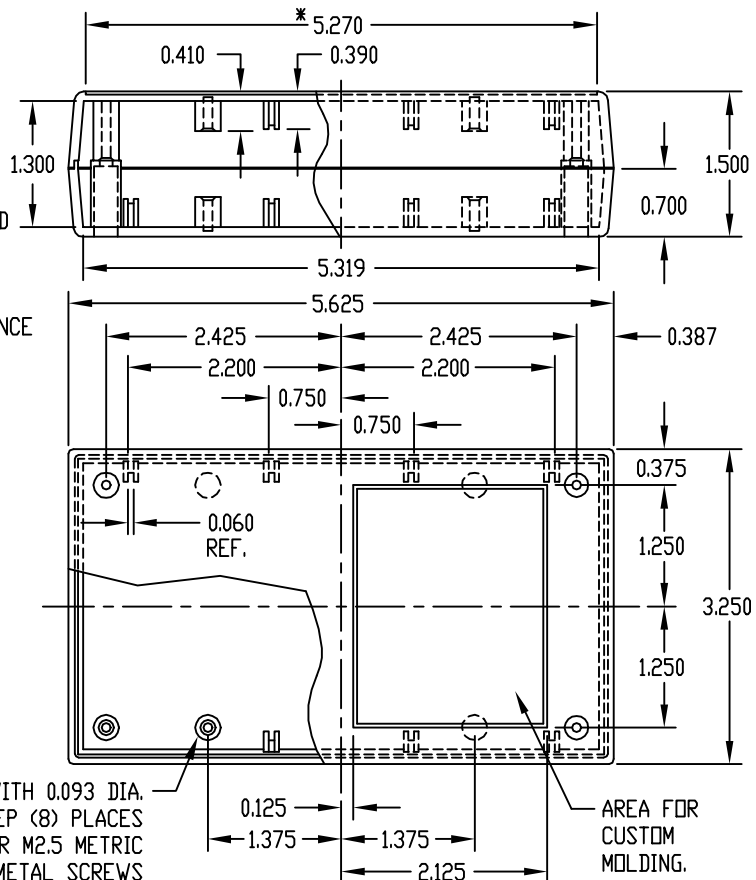
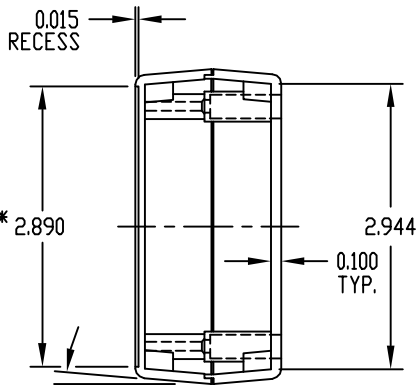
PART No.

PS-11325

MATERIAL: HIGH-IMPACT ABS
 COLOR: BLACK OR GRAY
 FINISH: TEXTURED BODY WITH SMOOTH TOP INSERT
 FOUR (4) #4 x 0.375" LG. SCREWS SUPPLIED FOR ASSEMBLING TOP.
 FOUR (4) NON-SKID PUSH-ON FEET SUPPLIED

*-USABLE AREA ON COVER ALSO AVAILABLE FOR CUSTOM MOLDING.

NOTE: ALL DIMENSIONS HAVE ±0.015 TOLERANCE UNLESS OTHERWISE SPECIFIED.



0.260 DIA. BOSS WITH 0.093 DIA. HOLE x 0.310 DEEP (8) PLACES MOUNTING BOSSES USE EITHER M2.5 METRIC OR #4 STD. SHEET METAL SCREWS x 0.250" LG. (NOT SUPPLIED)

PART NAME

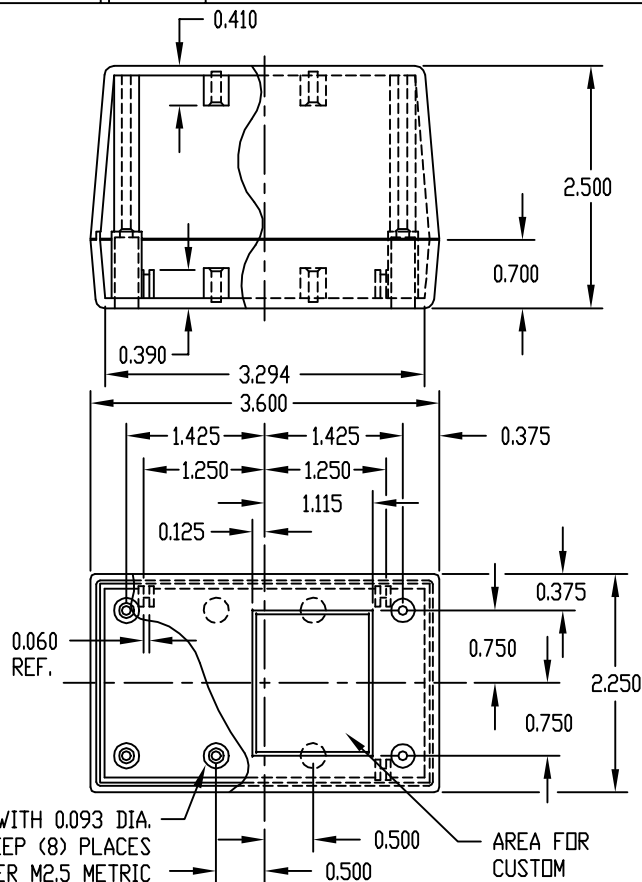
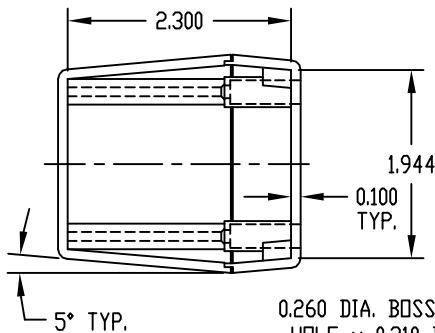
PLASTIBOX (STYLE A)

PART No.

PT-11372

MATERIAL: HIGH-IMPACT ABS
 COLOR: BLACK OR GRAY
 FINISH: TEXTURED BODY WITH TEXTURED TOP
 FOUR (4) #4 x 0.375" LG. SCREWS SUPPLIED FOR ASSEMBLING TOP.
 FOUR (4) NON-SKID PUSH-ON FEET SUPPLIED


NOTE: ALL DIMENSIONS HAVE ±0.015 TOLERANCE UNLESS OTHERWISE SPECIFIED.



0.260 DIA. BOSS WITH 0.093 DIA. HOLE x 0.310 DEEP (8) PLACES MOUNTING BOSSES USE EITHER M2.5 METRIC OR #4 STD. SHEET METAL SCREWS x 0.250" LG. (NOT SUPPLIED)

Looking for pricing, stock, or lifecycle information?

Click below to explore more details on WIN SOURCE:

 [View PT-11372-G on WIN SOURCE](#)

 [Bud Industries](#) Information

Optimize Your Supply Chain with WIN SOURCE Solutions

-  Global Sourcing Solution
-  Obsolete Management
-  Cost Control Management
-  Shortage Management
-  Alternative Solution
-  Excess Inventory Management