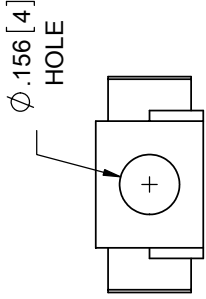




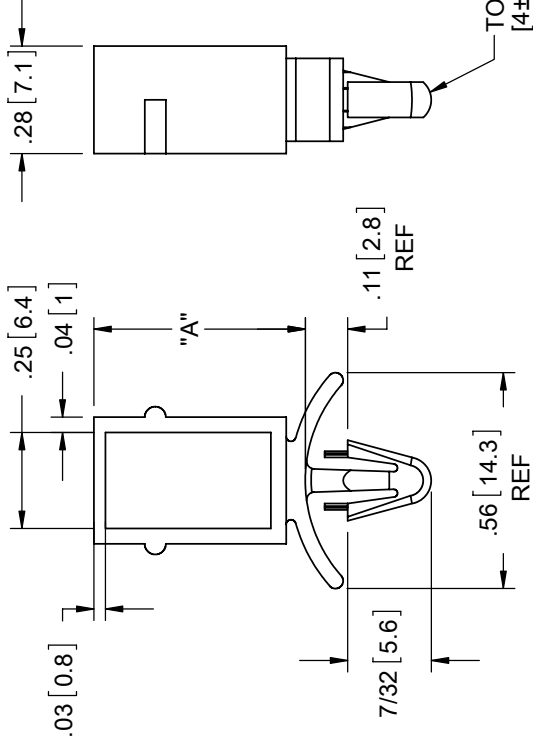
THE DATASHEET OF CBSS-10-19



AVAILABLE BY SPECIAL ORDER ONLY



MATERIAL: NYLON 6/6 UL 94 V-2 (RMS-01) COLOR: NATURAL PART NO.	MATERIAL: UL 94 COLO P
CBSS-8-01	CE
CBSS-10-01	CE
CBSS-12-01	CE
CBSS-14-01	CE



TO SNAP-LOCK IN A .156±.003
[4±0.08] DIA. HOLE, IN A
.031-.078 [0.79-1.98] PANEL THICK

NOTE: WHEN USED IN STACKING APPLI
RECOMMENDED MAX. PANEL THICK
BETWEEN CBSS PARTS IS .070 [1

NOTES:
1. ALTERNATE UNITS FOR REFERENCE ONLY

TITLE: **CIRCUIT BOARD STACKING SPACERS**

CREATED BY: SOLIDWORKS	FILE #:	CBSS	DWN:	SK	APP:	RT
TOLERANCES UNLESS NOTED XX±.010 XXX±.005 FRAC=±1/64 ANG=±1°	SHEET:	1 OF 1	SHEET SIZE:	A	DT:	11/29/06
	RE:	RICHCO, INC.				
		RICHCO, INC. ENG@RICHCO-INC.COM (773) 539-4060				
D	REDRAWN, SEE ECN #1258 FOR CHANGES	SK	12/05/06			
-	SEE ENGINEERING FOR REVISIONS A-C					
REV.	DESCRIPTION	ENGR.	DATE			

Looking for pricing, stock, or lifecycle information?

Click below to explore more details on WIN SOURCE:

- [View CBSS-10-19 on WIN SOURCE](#)
- [Essentra Components Information](#)

Optimize Your Supply Chain with WIN SOURCE Solutions

- ✓ Global Sourcing Solution
- ✓ Obsolete Management
- ✓ Cost Control Management
- ✓ Shortage Management
- ✓ Alternative Solution
- ✓ Excess Inventory Management