



# THE DATASHEET OF ULN2004AIDR

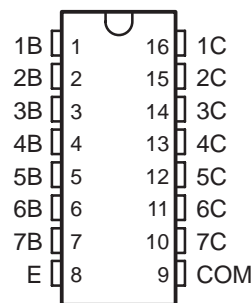


# ULN2004AI HIGH-VOLTAGE HIGH-CURRENT DARLINGTON TRANSISTOR ARRAY

SLRS055 – APRIL 2004

- 500-mA-Rated Collector Current (Single Output)
- High-Voltage Outputs . . . 50 V
- Output Clamp Diodes
- Inputs Compatible With Various Types of Logic
- Relay-Driver Applications

D, N, OR NS PACKAGE  
(TOP VIEW)



## description/ordering information

The ULN2004AI is a high-voltage, high-current Darlington transistor array. This device consists of seven npn Darlington pairs that feature high-voltage outputs with common-cathode clamp diodes for switching inductive loads. The collector-current rating of a single Darlington pair is 500 mA. The Darlington pairs can be paralleled for higher-current capability. Applications include relay drivers, hammer drivers, lamp drivers, display drivers (LED and gas discharge), line drivers, and logic buffers.

The ULN2004AI has a 10.5-k $\Omega$  series base resistor for each Darlington pair for operation directly with TTL or 5-V CMOS devices.

## ORDERING INFORMATION

| T <sub>A</sub> | PACKAGE† |              | ORDERABLE PART NUMBER | TOP-SIDE MARKING |
|----------------|----------|--------------|-----------------------|------------------|
| -40°C to 105°C | PDIP (N) | Tube of 25   | ULN2004AIN            | ULN2004AIN       |
|                | SOIC (D) | Tube of 40   | ULN2004AID            | ULN2004AI        |
|                |          | Reel of 2500 | ULN2004AIDR           |                  |
|                | SOP (NS) | Reel of 2000 | ULN2004AINSR          | ULN2004AI        |

† Package drawings, standard packing quantities, thermal data, symbolization, and PCB design guidelines are available at [www.ti.com/sc/package](http://www.ti.com/sc/package).



Please be aware that an important notice concerning availability, standard warranty, and use in critical applications of Texas Instruments semiconductor products and disclaimers thereto appears at the end of this data sheet.

PRODUCTION DATA information is current as of publication date. Products conform to specifications per the terms of Texas Instruments standard warranty. Production processing does not necessarily include testing of all parameters.

 **TEXAS  
INSTRUMENTS**

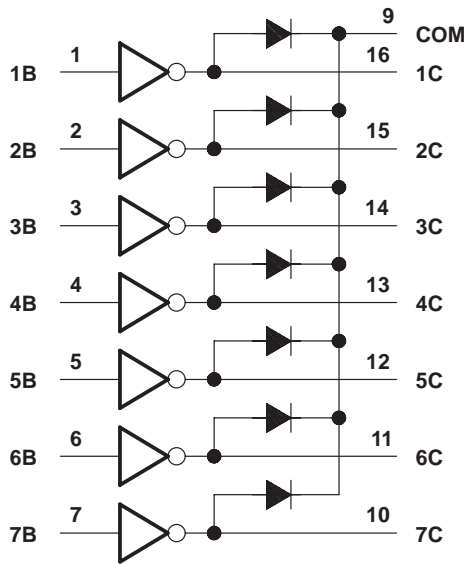
POST OFFICE BOX 655303 • DALLAS, TEXAS 75265

Copyright © 2004, Texas Instruments Incorporated

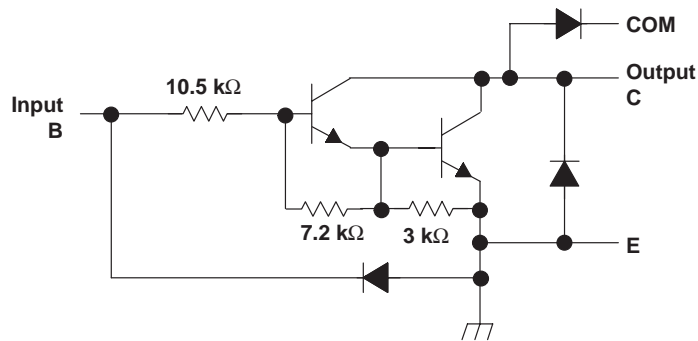
# ULN2004AI HIGH-VOLTAGE HIGH-CURRENT DARLINGTON TRANSISTOR ARRAY

SLRS055 – APRIL 2004

## logic diagram



## schematics (each Darlington pair)



All resistor values shown are nominal.

# ULN2004AI HIGH-VOLTAGE HIGH-CURRENT DARLINGTON TRANSISTOR ARRAY

SLRS055 – APRIL 2004

## absolute maximum ratings at 25°C free-air temperature (unless otherwise noted)†

|   |                |
|---|----------------|
| Collector-emitter voltage   | 50 V           |
| Clamp diode reverse voltage (see Note 1)                                | 50 V           |
| Input voltage, $V_I$ (see Note 1)                                       | 30 V           |
| Peak collector current (see Notes 2 and 4)                              | 500 mA         |
| Output clamp current, $I_{OK}$  | 500 mA         |
| Total emitter-terminal current  | –2.5 A         |
| Operating free-air temperature range, $T_A$                             | –40°C to 105°C |
| Package thermal impedance, $\theta_{JA}$ (see Notes 2 and 3): D package | 73°C/W         |
| N package   | 67°C/W         |
| NS package  | 64°C/W         |
| Operating virtual junction temperature, $T_J$                           | 150°C          |
| Storage temperature range, $T_{stg}$                                    | –65°C to 150°C |

† Stresses beyond those listed under “absolute maximum ratings” may cause permanent damage to the device. These are stress ratings only, and functional operation of the device at these or any other conditions beyond those indicated under “recommended operating conditions” is not implied. Exposure to absolute-maximum-rated conditions for extended periods may affect device reliability.

- NOTES:
1. All voltage values are with respect to the emitter/substrate terminal E, unless otherwise noted.
  2. Maximum power dissipation is a function of  $T_{J(max)}$ ,  $\theta_{JA}$ , and  $T_A$ . The maximum allowable power dissipation at any allowable ambient temperature is  $P_D = (T_{J(max)} - T_A)/\theta_{JA}$ . Operating at the absolute maximum  $T_J$  of 150°C can affect reliability.
  3. The package thermal impedance is calculated in accordance with JESD 51-7.

## electrical characteristics, $T_A = 25^\circ\text{C}$

| PARAMETER  | TEST FIGURE | TEST CONDITIONS                                  |                       | MIN  | TYP  | MAX           | UNIT |
|--|-------------|--|-----------------------|------|------|---------------|------|
|  |             |  |                       |      |      |               |      |
| $V_{I(on)}$ On-state input voltage                 | 6           | $V_{CE} = 2\text{ V}$                            | $I_C = 125\text{ mA}$ |      |      | 5             | V    |
|  |             |  | $I_C = 200\text{ mA}$ |      |      | 6             |      |
|  |             |  | $I_C = 275\text{ mA}$ |      |      | 7             |      |
|  |             |  | $I_C = 350\text{ mA}$ |      |      | 8             |      |
| $V_{CE(sat)}$ Collector-emitter saturation voltage | 5           | $I_I = 250\ \mu\text{A}$ , $I_C = 100\text{ mA}$ |                       | 0.9  | 1.1  | V             |      |
|  |             | $I_I = 350\ \mu\text{A}$ , $I_C = 200\text{ mA}$ |                       | 1    | 1.3  |               |      |
|  |             | $I_I = 500\ \mu\text{A}$ , $I_C = 350\text{ mA}$ |                       | 1.2  | 1.6  |               |      |
| $I_{CEX}$ Collector cutoff current                 | 1           | $V_{CE} = 50\text{ V}$ , $I_I = 0$               |                       |      | 50   | $\mu\text{A}$ |      |
| $V_F$ Clamp forward voltage                        | 8           | $I_F = 350\text{ mA}$                            |                       | 1.7  | 2    | V             |      |
| $I_I$ Input current                                | 4           | $V_I = 5\text{ V}$                               |                       | 0.35 | 0.5  | mA            |      |
|  |             | $V_I = 12\text{ V}$                              |                       | 1    | 1.45 |               |      |
| $I_R$ Clamp reverse current                        | 7           | $V_R = 50\text{ V}$                              |                       |      | 50   | $\mu\text{A}$ |      |
| $C_i$ Input capacitance                            |             | $V_I = 0$ , $f = 1\text{ MHz}$                   |                       | 15   | 25   | pF            |      |



# ULN2004AI

## HIGH-VOLTAGE HIGH-CURRENT DARLINGTON TRANSISTOR ARRAY

SLRS055 – APRIL 2004

### electrical characteristics, $T_A = -40^\circ\text{C}$ to $105^\circ\text{C}$

| PARAMETER     |                                      | TEST FIGURE | TEST CONDITIONS                                   |                                 | MIN | TYP        | MAX           | UNIT          |
|---------------|--------------------------------------|-------------|---|---------------------------------|-----|------------|---------------|---------------|
| $V_{I(on)}$   | On-state input voltage               | 6           | $V_{CE} = 2\text{ V}$                             | $I_C = 125\text{ mA}$           |     |            | 5             | V             |
|               |                                      |             |   | $I_C = 200\text{ mA}$           |     |            | 6             |               |
|               |                                      |             |   | $I_C = 275\text{ mA}$           |     |            | 7             |               |
|               |                                      |             |   | $I_C = 350\text{ mA}$           |     |            | 8             |               |
| $V_{CE(sat)}$ | Collector-emitter saturation voltage | 5           | $I_I = 250\ \mu\text{A}$ , $I_C = 100\text{ mA}$  |                                 | 0.9 | 1.1        | V             |               |
|               |                                      |             | $I_I = 350\ \mu\text{A}$ , $I_C = 200\text{ mA}$  |                                 | 1   | 1.3        |               |               |
|               |                                      |             | $I_I = 500\ \mu\text{A}$ , $I_C = 350\text{ mA}$  |                                 | 1.2 | 1.6        |               |               |
| $I_{CEX}$     | Collector cutoff current             | 1           | $V_{CE} = 50\text{ V}$ , $I_I = 0$                |                                 |     | 50         | $\mu\text{A}$ |               |
|               |                                      | 2           | $V_{CE} = 50\text{ V}$                            | $I_I = 0$<br>$V_I = 1\text{ V}$ |     | 100<br>500 |               |               |
| $V_F$         | Clamp forward voltage                | 8           | $I_F = 350\text{ mA}$                             |                                 |     | 1.7        | 2             | V             |
| $I_{I(off)}$  | Off-state input current              | 3           | $V_{CE} = 50\text{ V}$ , $I_C = 500\ \mu\text{A}$ |                                 | 50  | 65         |               | $\mu\text{A}$ |
| $I_I$         | Input current                        | 4           | $V_I = 5\text{ V}$                                |                                 |     | 0.35       | 0.5           | mA            |
|               |                                      |             | $V_I = 12\text{ V}$                               |                                 |     | 1          | 1.45          |               |
| $I_R$         | Clamp reverse current                | 7           | $V_R = 50\text{ V}$                               |                                 |     |            | 100           | $\mu\text{A}$ |
| $C_i$         | Input capacitance                    |             | $V_I = 0$ , $f = 1\text{ MHz}$                    |                                 |     | 15         | 25            | pF            |

### switching characteristics, $T_A = 25^\circ\text{C}$

| PARAMETER |   | TEST CONDITIONS                       |                               | MIN        | TYP  | MAX | UNIT          |
|-----------|---|---------------------------------------|-------------------------------|------------|------|-----|---------------|
| $t_{PLH}$ | Propagation delay time, low- to high-level output | See Figure 8                          |                               |            | 0.25 | 1   | $\mu\text{s}$ |
| $t_{PHL}$ | Propagation delay time, high- to low-level output | See Figure 8                          |                               |            | 0.25 | 1   | $\mu\text{s}$ |
| $V_{OH}$  | High-level output voltage after switching         | $V_S = 50\text{ V}$ ,<br>See Figure 9 | $I_O \approx 300\text{ mA}$ , | $V_S - 20$ |      |     | mV            |

### switching characteristics, $T_A = -40^\circ\text{C}$ to $105^\circ\text{C}$

| PARAMETER |   | TEST CONDITIONS                       |                               | MIN         | TYP | MAX | UNIT          |
|-----------|---|---------------------------------------|-------------------------------|-------------|-----|-----|---------------|
| $t_{PLH}$ | Propagation delay time, low- to high-level output | See Figure 8                          |                               |             | 1   | 10  | $\mu\text{s}$ |
| $t_{PHL}$ | Propagation delay time, high- to low-level output | See Figure 8                          |                               |             | 1   | 10  | $\mu\text{s}$ |
| $V_{OH}$  | High-level output voltage after switching         | $V_S = 50\text{ V}$ ,<br>See Figure 9 | $I_O \approx 300\text{ mA}$ , | $V_S - 500$ |     |     | mV            |

PARAMETER MEASUREMENT INFORMATION

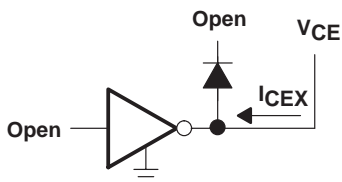


Figure 1.  $I_{CEX}$  Test Circuit

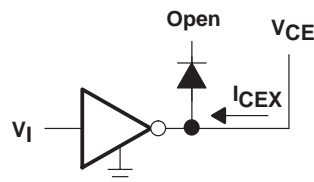


Figure 2.  $I_{CEX}$  Test Circuit

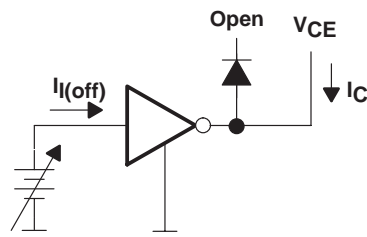


Figure 3.  $I_{I(off)}$  Test Circuit

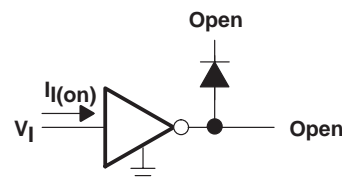
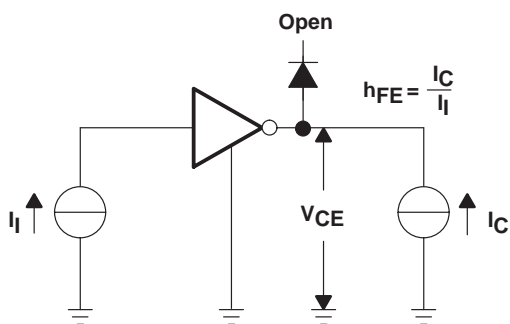


Figure 4.  $I_I$  Test Circuit



NOTE:  $I_I$  is fixed for measuring  $V_{CE(sat)}$ , variable for measuring  $h_{FE}$ .

Figure 5.  $h_{FE}$ ,  $V_{CE(sat)}$  Test Circuit

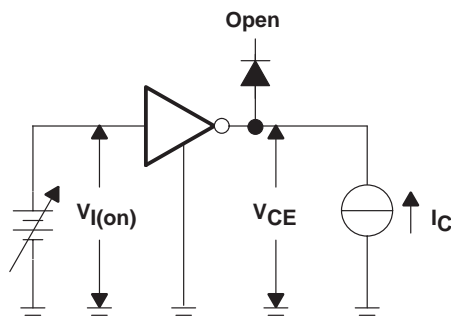


Figure 6.  $V_{I(on)}$  Test Circuit

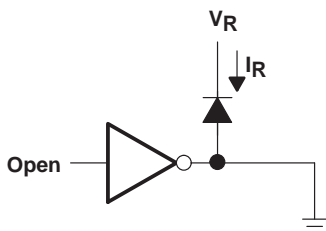


Figure 7.  $I_R$  Test Circuit

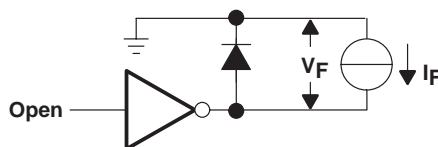


Figure 8.  $V_F$  Test Circuit

# ULN2004AI HIGH-VOLTAGE HIGH-CURRENT DARLINGTON TRANSISTOR ARRAY

SLRS055 – APRIL 2004

## PARAMETER MEASUREMENT INFORMATION

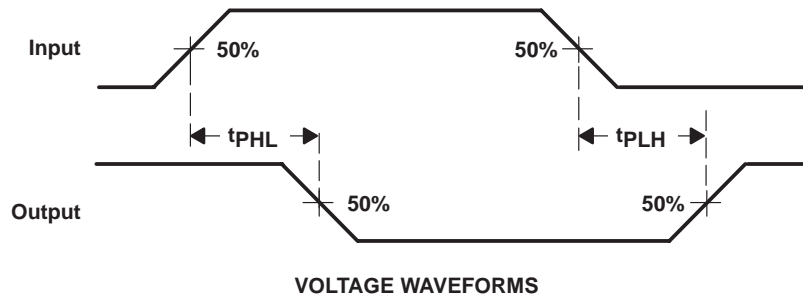
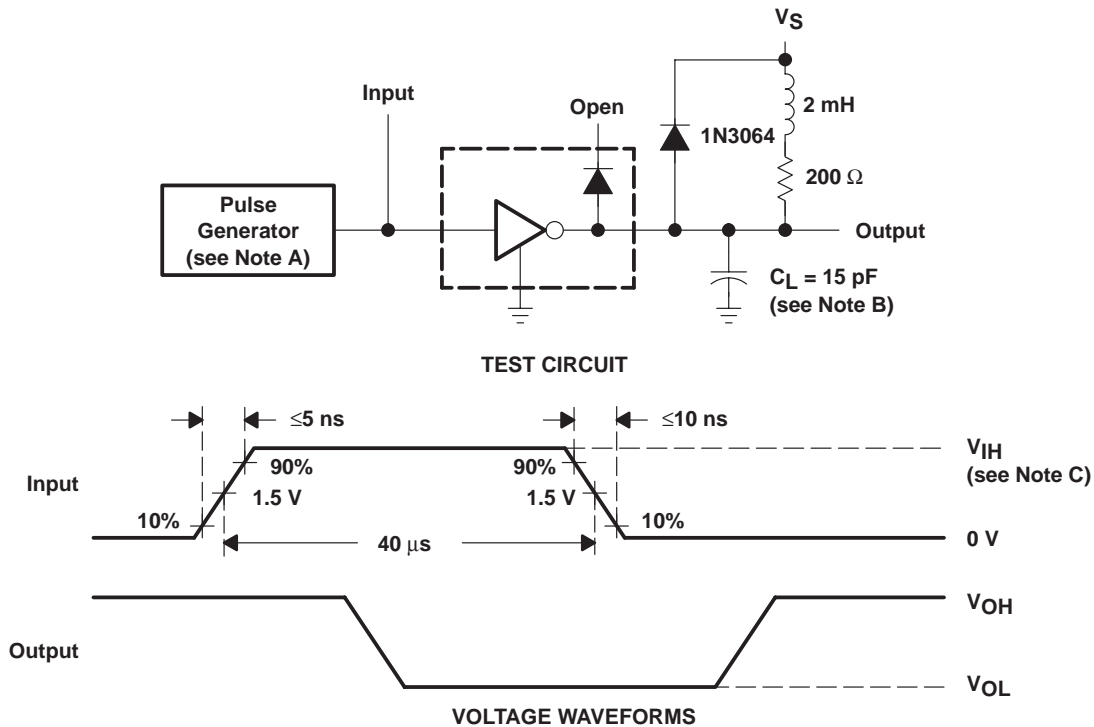


Figure 9. Propagation Delay-Time Waveforms



- NOTES: A. The pulse generator has the following characteristics: PRR = 12.5 kHz,  $Z_O = 50 \Omega$ .  
 B.  $C_L$  includes probe and jig capacitance.  
 C. For testing,  $V_{IH} = 3 \text{ V}$

Figure 10. Latch-Up Test Circuit and Voltage Waveforms

TYPICAL CHARACTERISTICS

COLLECTOR-EMITTER  
 SATURATION VOLTAGE  
 vs  
 COLLECTOR CURRENT  
 (ONE DARLINGTON)

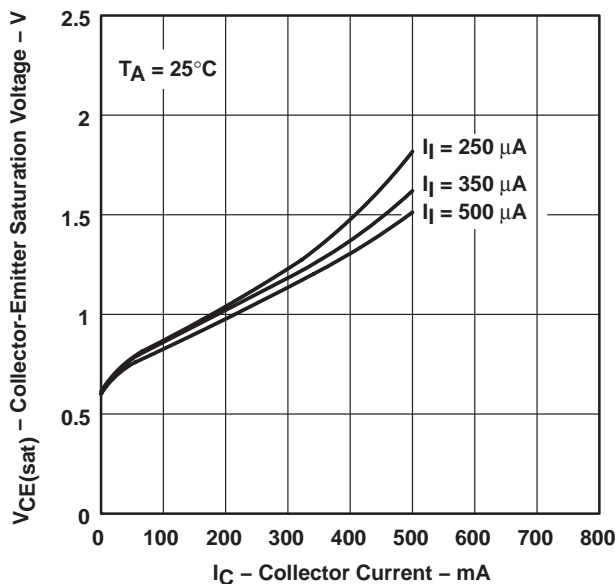


Figure 11

COLLECTOR-EMITTER  
 SATURATION VOLTAGE  
 vs  
 TOTAL COLLECTOR CURRENT  
 (TWO DARLINGTONS IN PARALLEL)

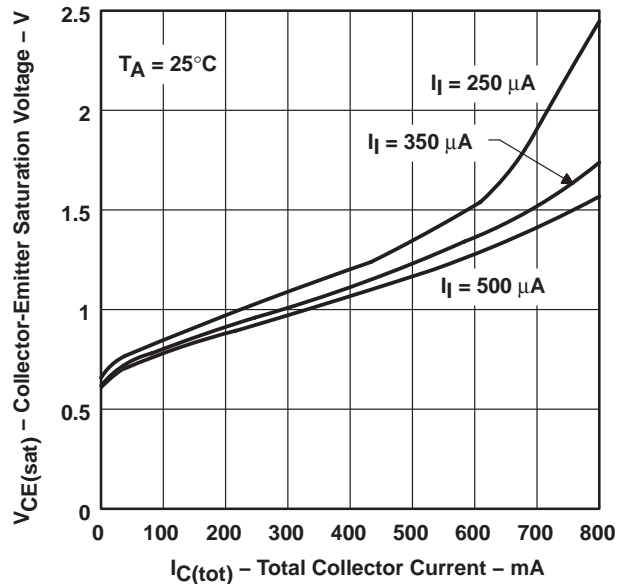


Figure 12

COLLECTOR CURRENT  
 vs  
 INPUT CURRENT

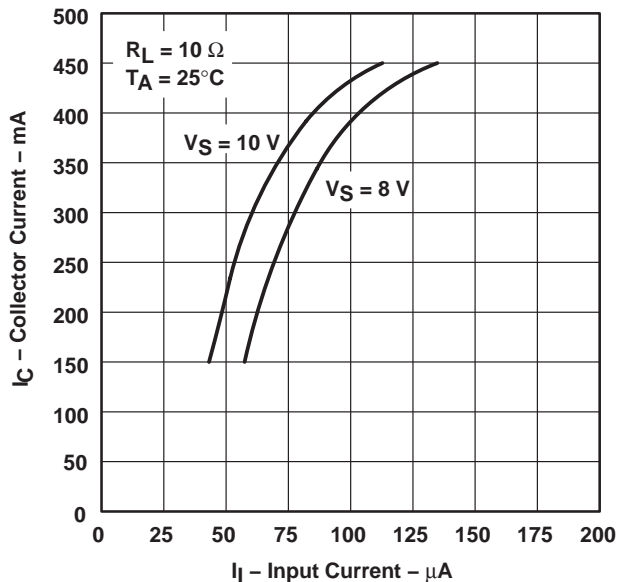
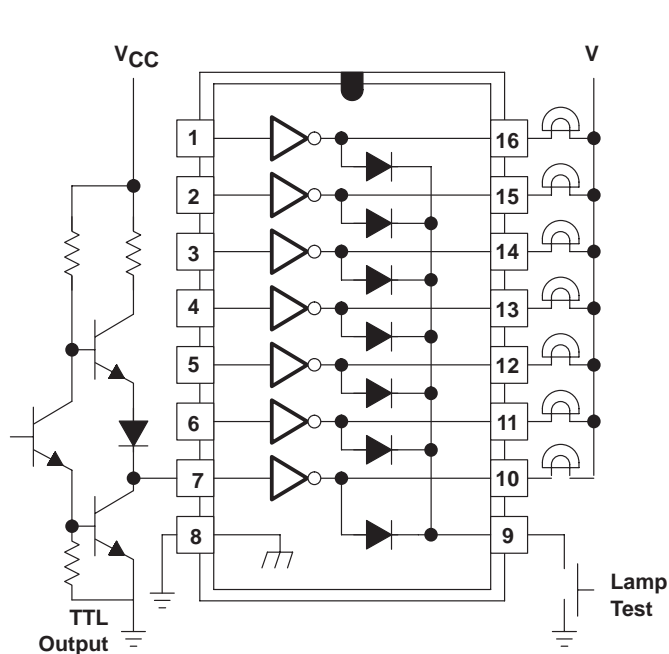


Figure 13

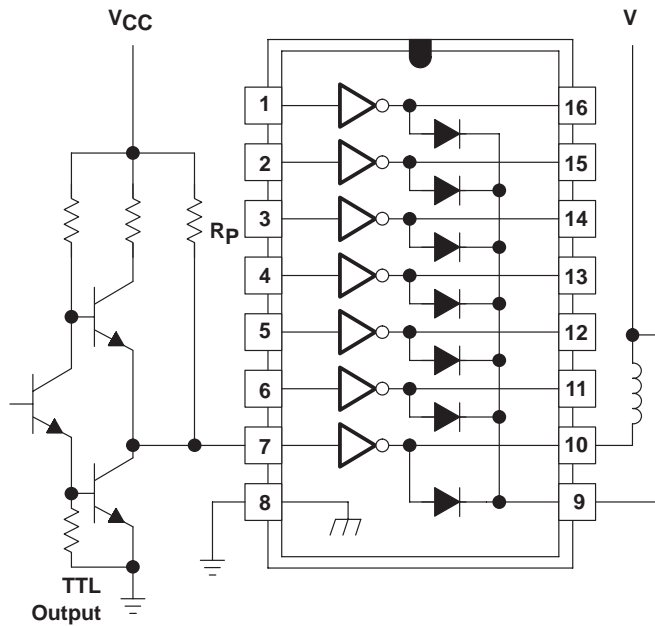
**ULN2004AI**  
**HIGH-VOLTAGE HIGH-CURRENT DARLINGTON**  
**TRANSISTOR ARRAY**

SLRS055 – APRIL 2004

**APPLICATION INFORMATION**



**Figure 14. TTL to Load**



**Figure 15. Use of Pullup Resistors to Increase Drive Current**

**PACKAGING INFORMATION**

| Orderable Device | Status<br>(1) | Package Type | Package Drawing | Pins | Package Qty | Eco Plan<br>(2)         | Lead/Ball Finish<br>(6) | MSL Peak Temp<br>(3) | Op Temp (°C) | Device Marking<br>(4/5) | Samples                 |
|------------------|---------------|--------------|-----------------|------|-------------|-------------------------|-------------------------|----------------------|--------------|-------------------------|-------------------------|
| ULN2004AID       | ACTIVE        | SOIC         | D               | 16   | 40          | Green (RoHS & no Sb/Br) | CU NIPDAU               | Level-1-260C-UNLIM   | -40 to 105   | ULN2004AI               | <a href="#">Samples</a> |
| ULN2004AIDR      | ACTIVE        | SOIC         | D               | 16   | 2500        | Green (RoHS & no Sb/Br) | CU NIPDAU               | Level-1-260C-UNLIM   | -40 to 105   | ULN2004AI               | <a href="#">Samples</a> |
| ULN2004AIN       | ACTIVE        | PDIP         | N               | 16   | 25          | Green (RoHS & no Sb/Br) | CU NIPDAU               | N / A for Pkg Type   | -40 to 105   | ULN2004AIN              | <a href="#">Samples</a> |
| ULN2004AINSR     | ACTIVE        | SO           | NS              | 16   | 2000        | Green (RoHS & no Sb/Br) | CU NIPDAU               | Level-1-260C-UNLIM   | -40 to 105   | ULN2004AI               | <a href="#">Samples</a> |

(1) The marketing status values are defined as follows:

**ACTIVE:** Product device recommended for new designs.

**LIFEBUY:** TI has announced that the device will be discontinued, and a lifetime-buy period is in effect.

**NRND:** Not recommended for new designs. Device is in production to support existing customers, but TI does not recommend using this part in a new design.

**PREVIEW:** Device has been announced but is not in production. Samples may or may not be available.

**OBSELETE:** TI has discontinued the production of the device.

(2) **RoHS:** TI defines "RoHS" to mean semiconductor products that are compliant with the current EU RoHS requirements for all 10 RoHS substances, including the requirement that RoHS substance do not exceed 0.1% by weight in homogeneous materials. Where designed to be soldered at high temperatures, "RoHS" products are suitable for use in specified lead-free processes. TI may reference these types of products as "Pb-Free".

**RoHS Exempt:** TI defines "RoHS Exempt" to mean products that contain lead but are compliant with EU RoHS pursuant to a specific EU RoHS exemption.

**Green:** TI defines "Green" to mean the content of Chlorine (Cl) and Bromine (Br) based flame retardants meet JS709B low halogen requirements of <=1000ppm threshold. Antimony trioxide based flame retardants must also meet the <=1000ppm threshold requirement.

(3) MSL, Peak Temp. - The Moisture Sensitivity Level rating according to the JEDEC industry standard classifications, and peak solder temperature.

(4) There may be additional marking, which relates to the logo, the lot trace code information, or the environmental category on the device.

(5) Multiple Device Markings will be inside parentheses. Only one Device Marking contained in parentheses and separated by a "-" will appear on a device. If a line is indented then it is a continuation of the previous line and the two combined represent the entire Device Marking for that device.

(6) Lead/Ball Finish - Orderable Devices may have multiple material finish options. Finish options are separated by a vertical ruled line. Lead/Ball Finish values may wrap to two lines if the finish value exceeds the maximum column width.

**Important Information and Disclaimer:**The information provided on this page represents TI's knowledge and belief as of the date that it is provided. TI bases its knowledge and belief on information provided by third parties, and makes no representation or warranty as to the accuracy of such information. Efforts are underway to better integrate information from third parties. TI has taken and

continues to take reasonable steps to provide representative and accurate information but may not have conducted destructive testing or chemical analysis on incoming materials and chemicals. TI and TI suppliers consider certain information to be proprietary, and thus CAS numbers and other limited information may not be available for release.

In no event shall TI's liability arising out of such information exceed the total purchase price of the TI part(s) at issue in this document sold by TI to Customer on an annual basis.

## TAPE AND REEL INFORMATION



### QUADRANT ASSIGNMENTS FOR PIN 1 ORIENTATION IN TAPE



\*All dimensions are nominal

| Device       | Package Type | Package Drawing | Pins | SPQ  | Reel Diameter (mm) | Reel Width W1 (mm) | A0 (mm) | B0 (mm) | K0 (mm) | P1 (mm) | W (mm) | Pin1 Quadrant |
|--------------|--------------|-----------------|------|------|--------------------|--------------------|---------|---------|---------|---------|--------|---------------|
| ULN2004AIDR  | SOIC         | D               | 16   | 2500 | 330.0              | 16.4               | 6.5     | 10.3    | 2.1     | 8.0     | 16.0   | Q1            |
| ULN2004AINSR | SO           | NS              | 16   | 2000 | 330.0              | 16.4               | 8.2     | 10.5    | 2.5     | 12.0    | 16.0   | Q1            |

**TAPE AND REEL BOX DIMENSIONS**


\*All dimensions are nominal

| Device       | Package Type | Package Drawing | Pins | SPQ  | Length (mm) | Width (mm) | Height (mm) |
|--------------|--------------|-----------------|------|------|-------------|------------|-------------|
| ULN2004AIDR  | SOIC         | D               | 16   | 2500 | 333.2       | 345.9      | 28.6        |
| ULN2004AINSR | SO           | NS              | 16   | 2000 | 367.0       | 367.0      | 38.0        |

D (R-PDSO-G16)

PLASTIC SMALL OUTLINE



- NOTES:
- A. All linear dimensions are in inches (millimeters).
  - B. This drawing is subject to change without notice.
  - C. Body length does not include mold flash, protrusions, or gate burrs. Mold flash, protrusions, or gate burrs shall not exceed 0.006 (0,15) each side.
  - D. Body width does not include interlead flash. Interlead flash shall not exceed 0.017 (0,43) each side.
  - E. Reference JEDEC MS-012 variation AC.

D (R-PDSO-G16)

PLASTIC SMALL OUTLINE



- NOTES:
- All linear dimensions are in millimeters.
  - This drawing is subject to change without notice.
  - Publication IPC-7351 is recommended for alternate designs.
  - Laser cutting apertures with trapezoidal walls and also rounding corners will offer better paste release. Customers should contact their board assembly site for stencil design recommendations. Refer to IPC-7525 for other stencil recommendations.
  - Customers should contact their board fabrication site for solder mask tolerances between and around signal pads.

# MECHANICAL DATA

NS (R-PDSO-G\*\*)

PLASTIC SMALL-OUTLINE PACKAGE

14-PINS SHOWN



- NOTES:
- A. All linear dimensions are in millimeters.
  - B. This drawing is subject to change without notice.
  - C. Body dimensions do not include mold flash or protrusion, not to exceed 0,15.

N (R-PDIP-T\*\*)

PLASTIC DUAL-IN-LINE PACKAGE

16 PINS SHOWN



- NOTES:
- A. All linear dimensions are in inches (millimeters).
  - B. This drawing is subject to change without notice.
  - Falls within JEDEC MS-001, except 18 and 20 pin minimum body length (Dim A).
  - The 20 pin end lead shoulder width is a vendor option, either half or full width.

## IMPORTANT NOTICE AND DISCLAIMER

TI PROVIDES TECHNICAL AND RELIABILITY DATA (INCLUDING DATASHEETS), DESIGN RESOURCES (INCLUDING REFERENCE DESIGNS), APPLICATION OR OTHER DESIGN ADVICE, WEB TOOLS, SAFETY INFORMATION, AND OTHER RESOURCES "AS IS" AND WITH ALL FAULTS, AND DISCLAIMS ALL WARRANTIES, EXPRESS AND IMPLIED, INCLUDING WITHOUT LIMITATION ANY IMPLIED WARRANTIES OF MERCHANTABILITY, FITNESS FOR A PARTICULAR PURPOSE OR NON-INFRINGEMENT OF THIRD PARTY INTELLECTUAL PROPERTY RIGHTS.

These resources are intended for skilled developers designing with TI products. You are solely responsible for (1) selecting the appropriate TI products for your application, (2) designing, validating and testing your application, and (3) ensuring your application meets applicable standards, and any other safety, security, or other requirements. These resources are subject to change without notice. TI grants you permission to use these resources only for development of an application that uses the TI products described in the resource. Other reproduction and display of these resources is prohibited. No license is granted to any other TI intellectual property right or to any third party intellectual property right. TI disclaims responsibility for, and you will fully indemnify TI and its representatives against, any claims, damages, costs, losses, and liabilities arising out of your use of these resources.

TI's products are provided subject to TI's Terms of Sale ([www.ti.com/legal/termsofsale.html](http://www.ti.com/legal/termsofsale.html)) or other applicable terms available either on [ti.com](http://ti.com) or provided in conjunction with such TI products. TI's provision of these resources does not expand or otherwise alter TI's applicable warranties or warranty disclaimers for TI products.

Mailing Address: Texas Instruments, Post Office Box 655303, Dallas, Texas 75265  
Copyright © 2018, Texas Instruments Incorporated

## Looking for pricing, stock, or lifecycle information?

Click below to explore more details on WIN SOURCE:

 [View ULN2004AIDR on WIN SOURCE](#)

 [Texas Instruments](#) Information

## Optimize Your Supply Chain with WIN SOURCE Solutions

-  Global Sourcing Solution
-  Obsolete Management
-  Cost Control Management
-  Shortage Management
-  Alternative Solution
-  Excess Inventory Management