

## Voltage Detector

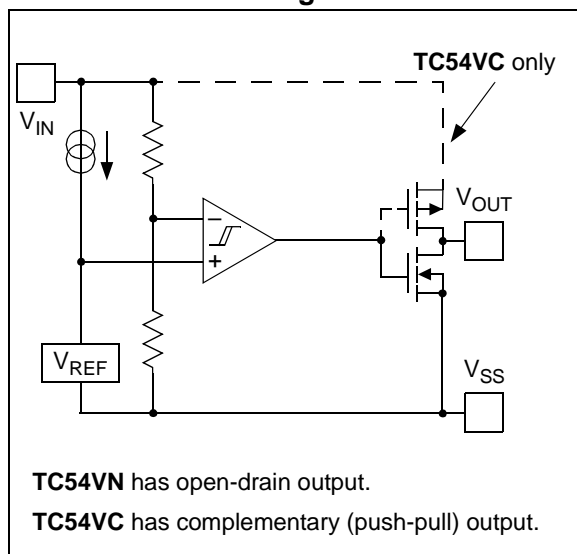
### Features:

- $\pm 2.0\%$  Detection Thresholds
- Small Packages: 3-Pin SOT-23A, SOT-89, and TO-92
- Low Current Drain: 1  $\mu\text{A}$ , typical
- Wide Detection Range: 1.1V to 6.0V
- Wide Operating Voltage Range: 0.7V to 10V

### Applications:

- Battery Voltage Monitoring
- Microprocessor Reset
- System Brown-Out Protection
- Switching Circuit in Battery Backup
- Level Discriminator

### Functional Block Diagram

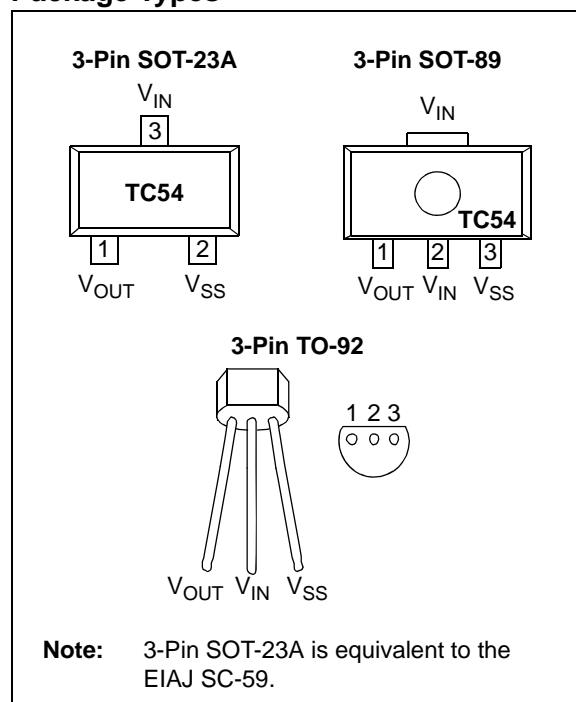


### General Description:

The TC54 series are CMOS voltage detectors especially well-suited for battery-powered applications because of their extremely low 1  $\mu\text{A}$  operating current and small surface-mount packaging. Each part is laser-trimmed to the desired threshold voltage, which can be specified from 1.4V to 6.0V with a 2% tolerance.

The TC54 is available with either an open-drain or complementary output stage. During operation, the output ( $V_{OUT}$ ) remains in the logic-high state as long as  $V_{IN}$  is greater than the specified threshold voltage ( $V_{DET-}$ ). When  $V_{IN}$  falls below  $V_{DET-}$ , the output is driven to a logic-low.  $V_{OUT}$  remains low until  $V_{IN}$  rises above  $V_{DET-}$  by an amount  $V_{HYST}$ , when it resets to a logic-high state.

### Package Types



### Device Features

| Device | Output     |            | Reset Delay | Std. Trip Points <sup>(1)</sup> (typical) |
|--------|------------|------------|-------------|---|
|        | Type       | State      |             |   |
| TC54VN | Open-Drain | Active Low | No          | 1.4V, 2.1V, 2.7V, 2.9V                    |
| TC54VC | Push-Pull  | Active Low | No          | 3.0V, 4.2V, 4.3V                          |

**Note 1:** Custom Trip Points available. Minimum order requirement. Information available upon request.

# TC54

## 1.0 ELECTRICAL CHARACTERISTICS

### Absolute Maximum Ratings †

|  |  |
|--|--|
| Input Voltage .....                        | +12V   |
| Output Current .....                       | 50 mA  |
| Output Voltage: CMOS.....                  | (V <sub>SS</sub> - 0.3V) to (V <sub>IN</sub> + 0.3V) |
| Open-Drain.....                            | (V <sub>SS</sub> - 0.3V) to 12V                      |
| Power Dissipation (T <sub>A</sub> ≤ 70°C): |  |
| 3-Pin SOT-23A .....                        | 240 mW   |
| 3-Pin SOT-89.....                          | 500 mW   |
| 3-Pin TO-92 .....                          | 300 mW   |
| Operating Temperature Range.....           | -40°C to +85°C                                       |
| Storage Temperature Range .....            | -65°C to +150°C                                      |

† **Notice:** Stresses above those listed under "Absolute Maximum Ratings" may cause permanent damage to the device. These are stress ratings only and functional operation of the device at these or any other conditions above those indicated in the operation sections of the specifications is not implied. Exposure to Absolute Maximum Rating conditions for extended periods may affect device reliability.

### DC CHARACTERISTICS

| Electrical Specifications: Unless otherwise noted, T <sub>A</sub> = +25°C. |                                     |         |       |         |        |   |
|--|-------------------------------------|---------|-------|---------|--------|---|
| Parameter  | Symbol                              | Min.    | Typ.  | Max.    | Units  | Test Conditions   |
| Operating Voltage  | V <sub>IN</sub>                     | 0.7     | —     | 10.0    | V      | (V <sub>DET-</sub> ) ≥ 1.6V   |
|  |                                     | 0.7     | —     | 6.0     | V      | (V <sub>DET-</sub> ) < 1.6V   |
| Quiescent Current  | I <sub>SS</sub>                     | —       | 0.8   | 2.7     | µA     | V <sub>IN</sub> = 2.0V  |
|  |                                     | —       | 0.9   | 3.0     |        | V <sub>IN</sub> = 3.0V  |
|  |                                     | —       | 1.0   | 3.2     |        | V <sub>IN</sub> = 4.0V  |
|  |                                     | —       | 1.1   | 3.6     |        | V <sub>IN</sub> = 5.0V  |
| Threshold Voltage<br>(Note 1)  | V <sub>DET-</sub>                   | 1.37    | 1.4   | 1.43    | V      | <b>TC54VX14</b>   |
|  |                                     | 2.06    | 2.1   | 2.14    |        | <b>TC54VX21</b>   |
|  |                                     | 2.65    | 2.7   | 2.75    |        | <b>TC54VX27</b>   |
|  |                                     | 2.84    | 2.9   | 2.96    |        | <b>TC54VX29</b>   |
|  |                                     | 2.94    | 3.0   | 3.06    |        | <b>TC54VX30</b>   |
|  |                                     | 4.12    | 4.2   | 4.28    |        | <b>TC54VX42</b>   |
|  |                                     | 4.21    | 4.3   | 4.39    |        | <b>TC54VX43</b>   |
|  |                                     | N.M.-2% | N.M.  | N.M.+2% |        | <b>TC54VXNM (Note 2)</b>  |
| Hysteresis Voltage   | V <sub>HYST</sub>                   | 28      | 70    | 112     | mV     | V <sub>DET</sub> = 1.4V (typical)   |
|  |                                     | 42      | 105   | 168     |        | V <sub>DET</sub> = 2.1V (typical)   |
|  |                                     | 54      | 135   | 216     |        | V <sub>DET</sub> = 2.7V (typical)   |
|  |                                     | 58      | 145   | 232     |        | V <sub>DET</sub> = 2.9V (typical)   |
|  |                                     | 60      | 150   | 240     |        | V <sub>DET</sub> = 3.0V (typical)   |
|  |                                     | 84      | 210   | 336     |        | V <sub>DET</sub> = 4.2V (typical)   |
|  |                                     | 86      | 215   | 344     |        | V <sub>DET</sub> = 4.3V (typical)   |
|  |                                     | Q-60%   | Q     | Q+60%   |        | V <sub>DET</sub> = (20*Q)V (typical) (Note 2)   |
| Output Current   | I <sub>OUT</sub>                    | 3.0     | 7.7   | —       | mA     | V <sub>OL</sub> = 0.5V, V <sub>IN</sub> = 2.0V  |
|  |                                     | 5.0     | 10.1  | —       |        | V <sub>OL</sub> = 0.5V, V <sub>IN</sub> = 3.0V  |
|  |                                     | 6.0     | 11.5  | —       |        | V <sub>OL</sub> = 0.5V, V <sub>IN</sub> = 4.0V  |
|  |                                     | 7.0     | 13.0  | —       |        | V <sub>OL</sub> = 0.5V, V <sub>IN</sub> = 5.0V  |
|  |                                     | —       | -10.0 | -2.0    |        | <b>TC54VC Only:</b><br>V <sub>OH</sub> = V <sub>IN</sub> - 2.1V, V <sub>IN</sub> = 8.0V |
| Tempco of (V <sub>DET-</sub> )   | T <sub>C</sub> (V <sub>DET-</sub> ) | —       | ±100  | —       | ppm/°C | -40°C ≤ T <sub>A</sub> ≤ 85°C   |
| Delay Time   | t <sub>DLY</sub>                    | —       | —     | 0.2     | ms     | V <sub>DET-</sub> → V <sub>OUT</sub> inversion  |

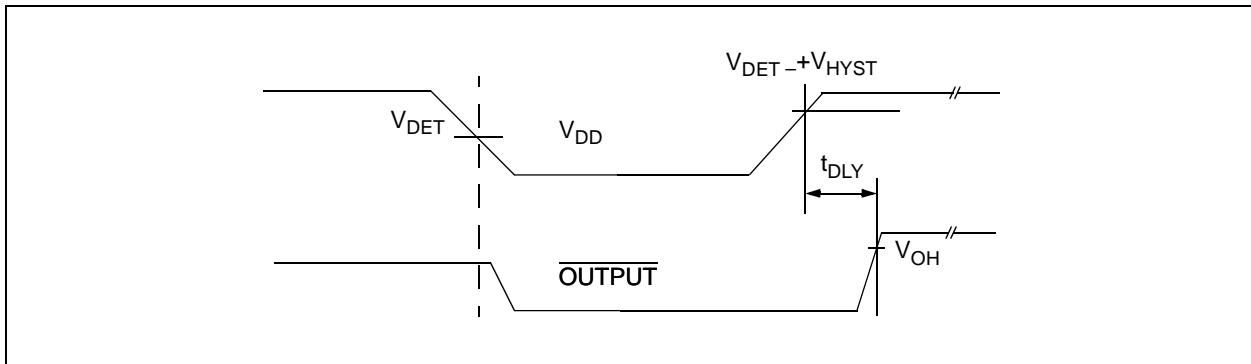
**Note 1:** For other voltage options, please contact your regional Microchip sales office.

**2:** Represents all other custom Threshold Voltage options.

## TEMPERATURE SPECIFICATIONS

**Electrical Characteristics:** Unless otherwise indicated, all limits are specified for:  $V_{DD} = +1.8V$  to  $+5.5V$ ,  $V_{SS} = GND$ .

| Parameters                         | Sym.          | Min. | Typ.  | Max. | Units | Conditions |
|------------------------------------|---------------|------|-------|------|-------|------------|
| <b>Temperature Ranges</b>          |               |      |       |      |       |            |
| Operating Temperature Range        | $T_A$         | -40  | —     | +85  | °C    |            |
| Storage Temperature Range          | $T_A$         | -65  | —     | +150 | °C    |            |
| <b>Thermal Package Resistances</b> |               |      |       |      |       |            |
| Thermal Resistance, 3L-SOT-23A     | $\theta_{JA}$ | —    | 308   | —    | °C/W  |            |
| Thermal Resistance, 3L-SOT-89      | $\theta_{JA}$ | —    | 131.7 | —    | °C/W  |            |
| Thermal Resistance, 3L-TO-92       | $\theta_{JA}$ | —    | 146   | —    | °C/W  |            |



**FIGURE 1-1:** Timing Diagram.

# TC54

---

## 2.0 PIN DESCRIPTIONS

The descriptions of the pins are listed in [Table 2-1](#).

**TABLE 2-1: PIN FUNCTION TABLE**

| TC54    |        |       | Symbol    | Description     |
|---------|--------|-------|-----------|-----------------|
| SOT-23A | SOT-89 | TO-92 |           |                 |
| 1       | 1      | 1     | $V_{OUT}$ | Digital Output  |
| 3       | 2      | 2     | $V_{IN}$  | Analog Input    |
| 2       | 3      | 3     | $V_{SS}$  | Ground Terminal |
| —       | Tab    | —     | $V_{IN}$  | Analog Input    |

### 2.1 Digital Output ( $V_{OUT}$ )

$V_{OUT}$  goes low when  $V_{IN}$  drops below  $V_{DET-}$  and returns high when  $V_{IN}$  rises above  $V_{DET-} + V_{HYST}$ . (See [Figure 3-1](#)).

### 2.2 Analog Input ( $V_{IN}$ )

$V_{IN}$  can be used for power supply monitoring or a voltage level that requires monitoring.

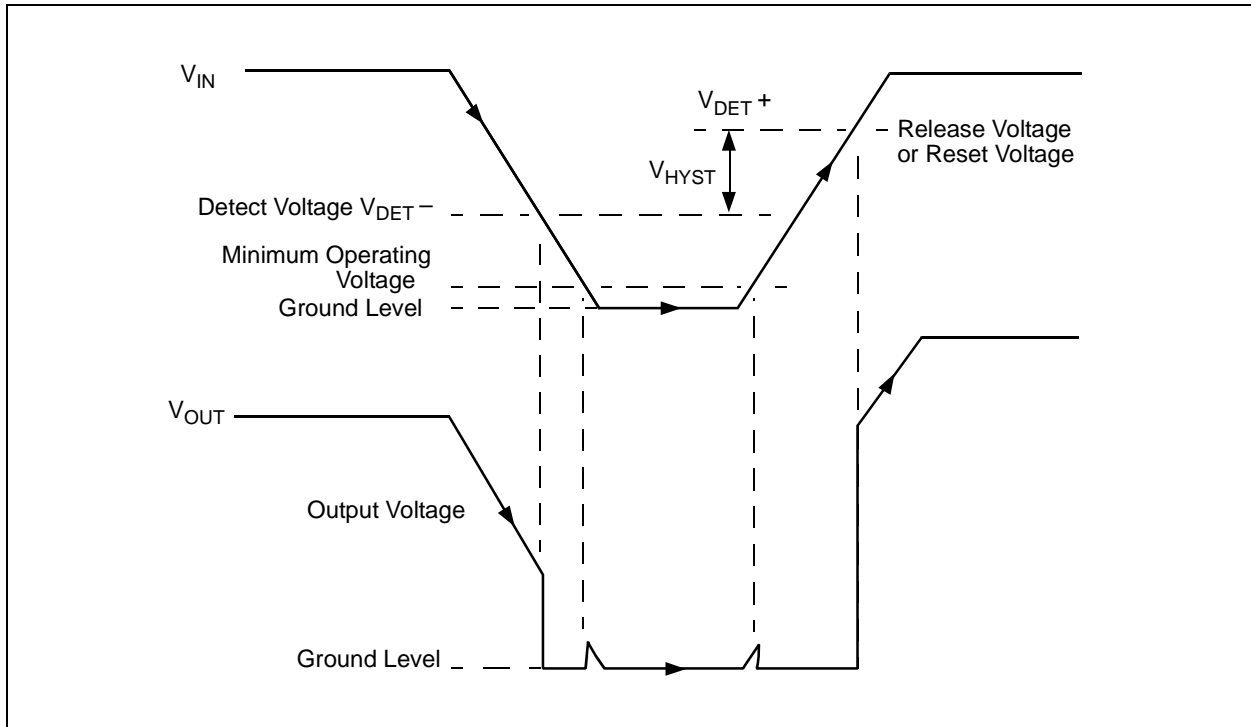
### 2.3 Ground Terminal ( $V_{SS}$ )

$V_{SS}$  provides the negative reference for the analog input voltage. Typically, the circuit ground is used.

## 3.0 DETAILED DESCRIPTION

In normal steady-state operation when  $V_{IN} > V_{DET-}$ , the output will be at a logic-high (see Figure 3-1). In the case of the TC54VN, this is an open-drain condition. If the input falls below  $V_{DET-}$ , the output will pull down (Logic 0) to  $V_{SS}$ . Generally,  $V_{OUT}$  can pull down to within 0.5V of  $V_{SS}$  at rated output current and input voltage. (See Section 1.0 “Electrical Characteristics”).

The output ( $V_{OUT}$ ) will stay valid until the input voltage falls below the minimum operating voltage ( $V_{INMIN}$ ) of 0.7V. Below this minimum operating voltage, the output is undefined. During power-up (or anytime  $V_{IN}$  has fallen below  $V_{INMIN}$ ),  $V_{OUT}$  will remain undefined until  $V_{IN}$  rises above  $V_{INMIN}$ . When this occurs, the output will become valid.  $V_{OUT}$  will be in its Active-low state, while  $V_{INMIN} < V_{IN} < V_{DET+}$  (therefore,  $V_{DET+} = V_{DET-} + V_{HYST}$ ). If the input rises above  $V_{DET+}$ , the output will assume its Inactive state (high for TC54VC, open-drain for TC54VN).



**FIGURE 3-1:** Timing Diagram.

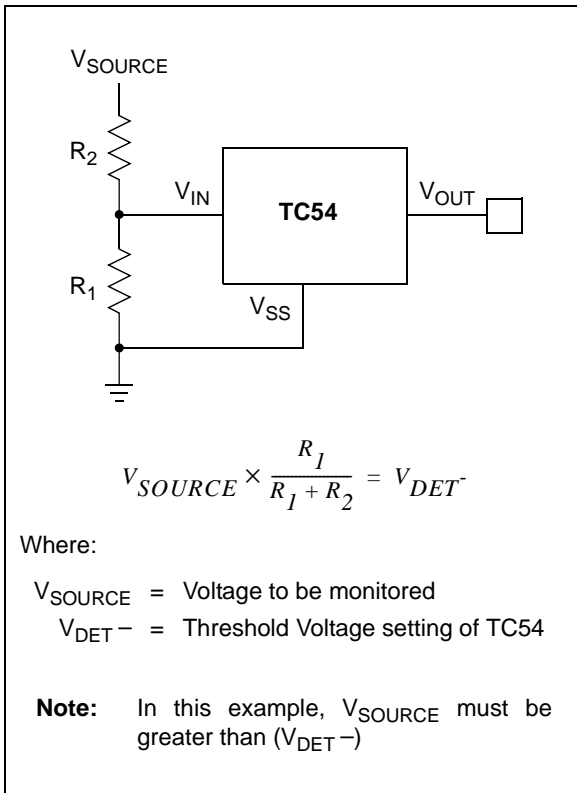
# TC54

## 4.0 APPLICATIONS INFORMATION

### 4.1 Modifying the Trip Point, $V_{DET-}$

Although the TC54 has a pre-programmed  $V_{DET-}$ , it is sometimes necessary to make adjustments during prototyping. This can be accomplished by connecting an external resistor divider to a TC54, which has a  $V_{DET-}$  lower than that of  $V_{SOURCE}$  (Figure 4-1).

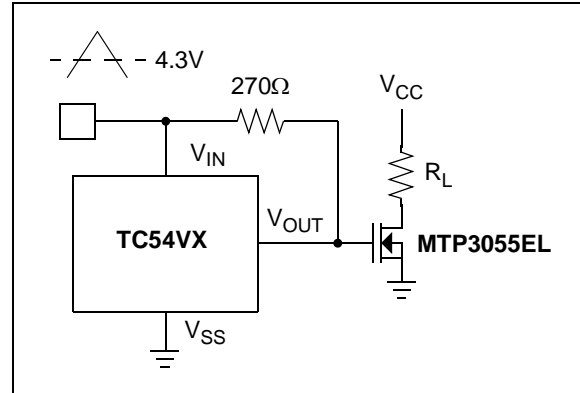
To maintain detector accuracy, the bleeder current through the divider should be significantly higher than the 1  $\mu$ A operating current required by the TC54. A reasonable value for this bleeder current is 100  $\mu$ A (100 times the 1  $\mu$ A required by the TC54). For example, if  $V_{DET-} = 2V$  and the desired trip point is 2.5V, the value of  $R_1 + R_2$  is 25 k $\Omega$  (2.5V/100  $\mu$ A). The value of  $R_1 + R_2$  can be rounded to the nearest standard value and plugged into the equation of Figure 4-1 to calculate values for  $R_1$  and  $R_2$ . 1% tolerance resistors are recommended.



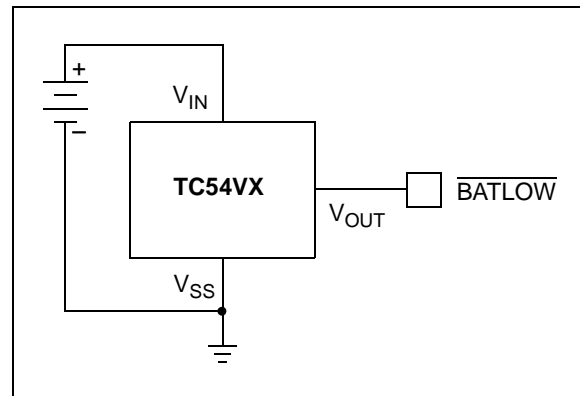
**FIGURE 4-1:** Modify Trip-point of the TC54 using External Resistor Divider.

### 4.2 Other Applications

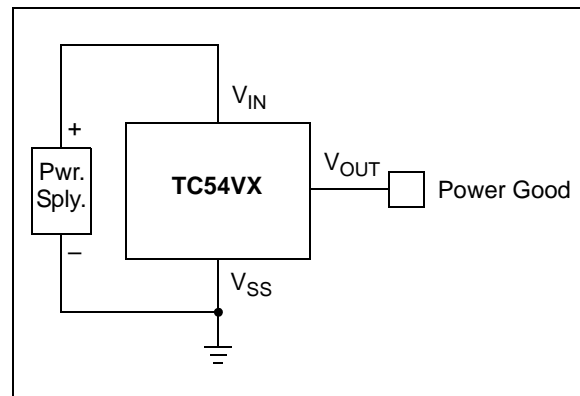
Low operating power and small physical size make the TC54 series ideal for many voltage detector applications, such as those shown in Figures 4-2, 4-3 and 4-4. Figure 4-2 shows a low-voltage gate drive protection circuit that prevents the overheating of the logic-level MOSFET due to insufficient gate voltage. When the input signal is below the threshold of the TC54VN, its output grounds the gate of the MOSFET. Figure 4-3 and Figure 4-4 show the TC54 in conventional voltage monitoring applications.



**FIGURE 4-2:** MOSFET Low Drive Protection.



**FIGURE 4-3:** Battery Voltage Monitor.

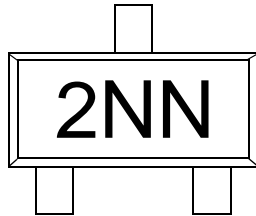


**FIGURE 4-4:** Power Good Monitor.

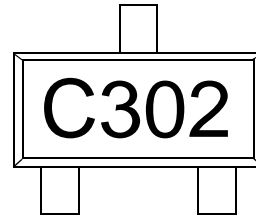
## 5.0 PACKAGING INFORMATION

### 5.1 Package Marking Information

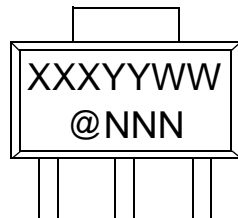
3-Lead SOT-23A



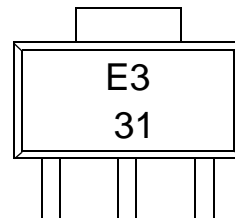
Example



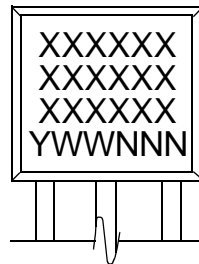
3-Lead SOT-89



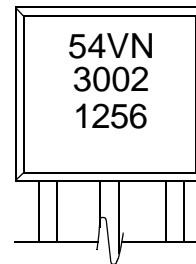
Example



3-Lead TO-92

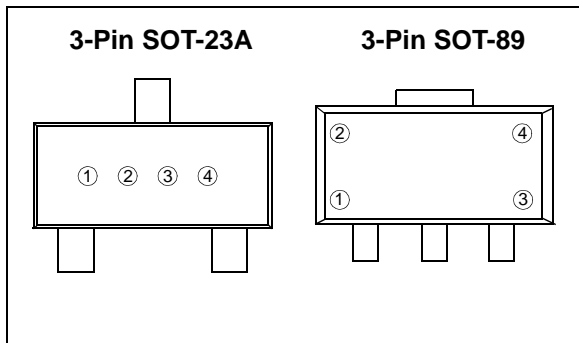


Example



|                |   |  |
|----------------|---|--|
| <b>Legend:</b> | XX...X  | Customer-specific information  |
|                | Y   | Year code (last digit of calendar year)  |
|                | YY  | Year code (last 2 digits of calendar year)   |
|                | WW  | Week code (week of January 1 is week '01')   |
|                | NNN   | Alphanumeric traceability code   |
|                | (e3)  | Pb-free JEDEC® designator for Matte Tin (Sn)   |
|                | *   | This package is Pb-free. The Pb-free JEDEC designator (e3) can be found on the outer packaging for this package. |
| <b>Note:</b>   | In the event the full Microchip part number cannot be marked on one line, it will be carried over to the next line, thus limiting the number of available characters for customer-specific information. |  |

# TC54



① represents output configuration (CMOS or Nch) and first integer of voltage

Ex: CMOS 3.x = ① ○ ○ ○ ○

| Symbol | Output | Voltage |
|--------|--------|---------|
| B      | CMOS   | 1.      |
| C      | CMOS   | 2.      |
| D      | CMOS   | 3.      |
| E      | CMOS   | 4.      |
| F      | CMOS   | 5.      |
| H      | CMOS   | 6.      |
| I      | CMOS   | 7.      |

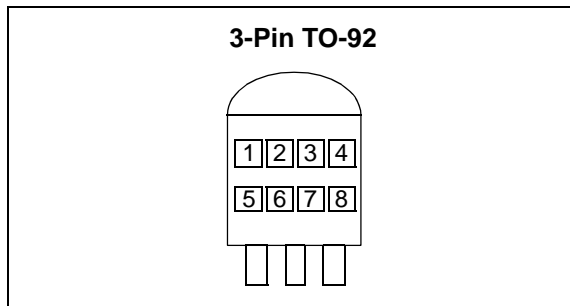
| Symbol | Output    | Voltage |
|--------|-----------|---------|
| L      | N-Channel | 1.      |
| M      | N-Channel | 2.      |
| N      | N-Channel | 3.      |
| P      | N-Channel | 4.      |
| R      | N-Channel | 5.      |
| S      | N-Channel | 6.      |
| T      | N-Channel | 7.      |

② represents first decimal of output voltage (0-9)

Ex: CMOS 3.x = ① ② ○ ○ ○

| Symbol | Voltage | Symbol | Voltage |
|--------|---------|--------|---------|
| 0      | .0      | 6      | .6      |
| 1      | .1      | 7      | .7      |
| 2      | .2      | 8      | .8      |
| 3      | .3      | 9      | .9      |
| 4      | .4      |        |         |
| 5      | .5      |        |         |

③ and ④ represent assembly lot code



①, ② and ③ = 54X (fixed)

④ represents output configuration (CMOS or N-Ch)

Ex: CMOS 3.x = ④ ○ ○ ○ ○

| Symbol | Output    |
|--------|-----------|
| C      | CMOS      |
| N      | N-Channel |

⑤ represents first integer of detect voltage

| Symbol | Voltage |
|--------|---------|
| 2      | 2.      |
| 3      | 3.      |
| 4      | 4.      |
| 5      | 5.      |
| 6      | 6.      |

⑥ represents first decimal of detect voltage

| Symbol | Voltage | Symbol | Voltage |
|--------|---------|--------|---------|
| 0      | .0      | 5      | .5      |
| 1      | .1      | 6      | .6      |
| 2      | .2      | 7      | .7      |
| 3      | .3      | 8      | .8      |
| 4      | .4      | 9      | .9      |

⑦ represents the output delay time

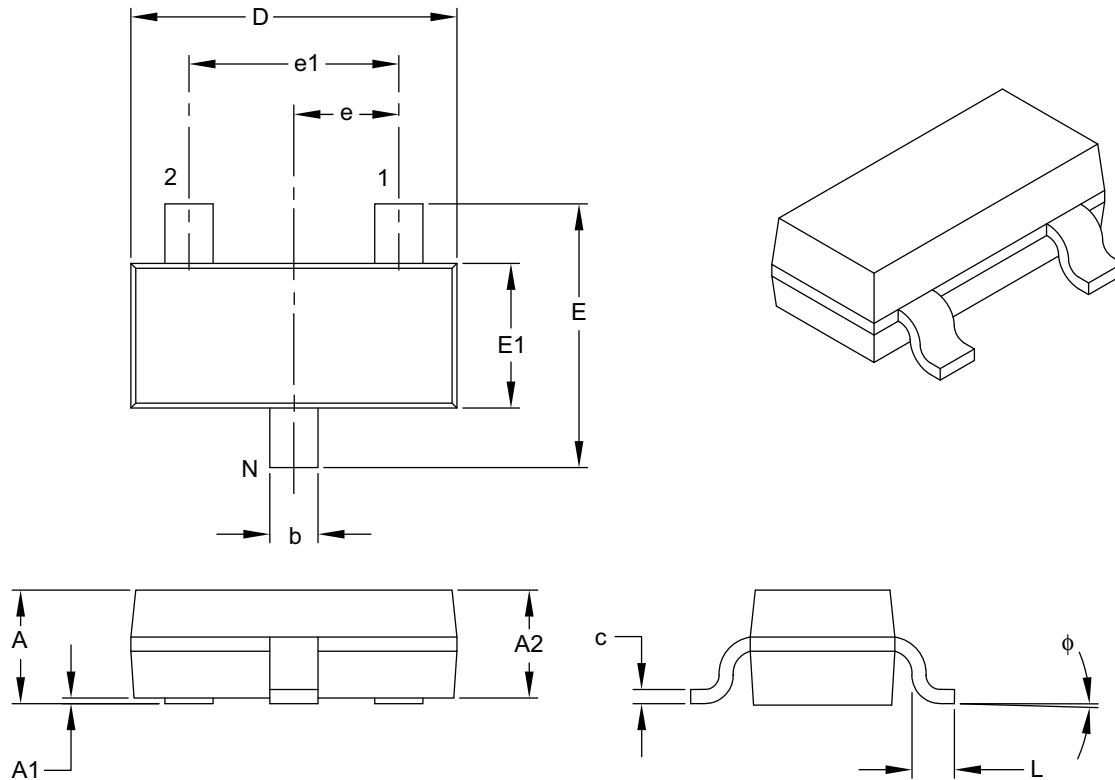
| Symbol | Delay Time |
|--------|------------|
| 0      | No Delay   |

⑧ represents the device accuracy

| Symbol | Accuracy         |
|--------|------------------|
| 1      | ±1.0% (custom)   |
| 2      | ±2.0% (standard) |

## 3-Lead Plastic Small Outline Transistor (CB) [SOT-23A]

**Note:** For the most current package drawings, please see the Microchip Packaging Specification located at <http://www.microchip.com/packaging>



| Dimension Limits         | Units  | MILLIMETERS |     |      |
|--------------------------|--------|-------------|-----|------|
|                          |        | MIN         | NOM | MAX  |
| Number of Pins           | N      | 3           |     |      |
| Lead Pitch               | e      | 0.95 BSC    |     |      |
| Outside Lead Pitch       | e1     | 1.90 BSC    |     |      |
| Overall Height           | A      | 0.89        | –   | 1.45 |
| Molded Package Thickness | A2     | 0.90        | –   | 1.30 |
| Standoff                 | A1     | 0.00        | –   | 0.15 |
| Overall Width            | E      | 2.10        | –   | 3.00 |
| Molded Package Width     | E1     | 1.20        | –   | 1.80 |
| Overall Length           | D      | 2.70        | –   | 3.10 |
| Foot Length              | L      | 0.15        | –   | 0.60 |
| Foot Angle               | $\phi$ | 0°          | –   | 30°  |
| Lead Thickness           | c      | 0.09        | –   | 0.26 |
| Lead Width               | b      | 0.30        | –   | 0.51 |

**Notes:**

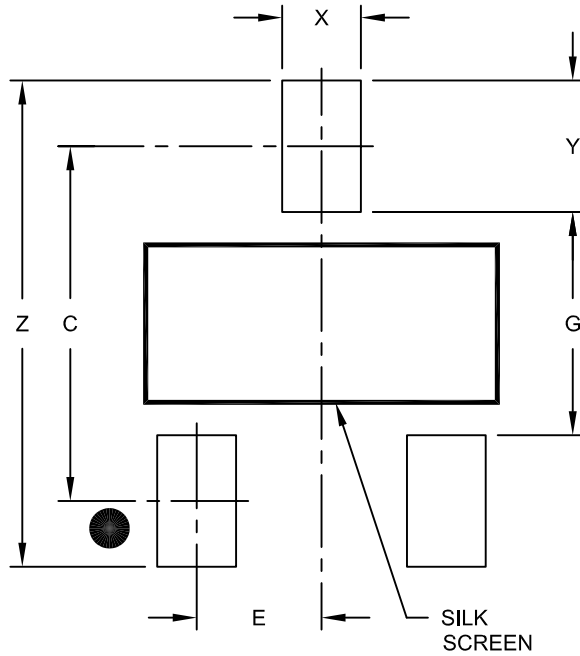
- Dimensions D and E1 do not include mold flash or protrusions. Mold flash or protrusions shall not exceed 0.127 mm per side.
- Dimensioning and tolerancing per ASME Y14.5M.  
BSC: Basic Dimension. Theoretically exact value shown without tolerances.

Microchip Technology Drawing C04-130B

# TC54

## 3-Lead Plastic Small Outline Transistor (CB) [SOT-23A]

**Note:** For the most current package drawings, please see the Microchip Packaging Specification located at <http://www.microchip.com/packaging>



RECOMMENDED LAND PATTERN

| Dimension Limits        | Units | MILLIMETERS |      |      |
|-------------------------|-------|-------------|------|------|
|                         |       | MIN         | NOM  | MAX  |
| Contact Pitch           | E     | 0.95 BSC    |      |      |
| Contact Pad Spacing     | C     |             | 2.70 |      |
| Contact Pad Width (X3)  | X     |             |      | 0.60 |
| Contact Pad Length (X3) | Y     |             |      | 1.00 |
| Distance Between Pads   | G     | 1.70        |      |      |
| Overall Width           | Z     |             |      | 3.70 |

**Notes:**

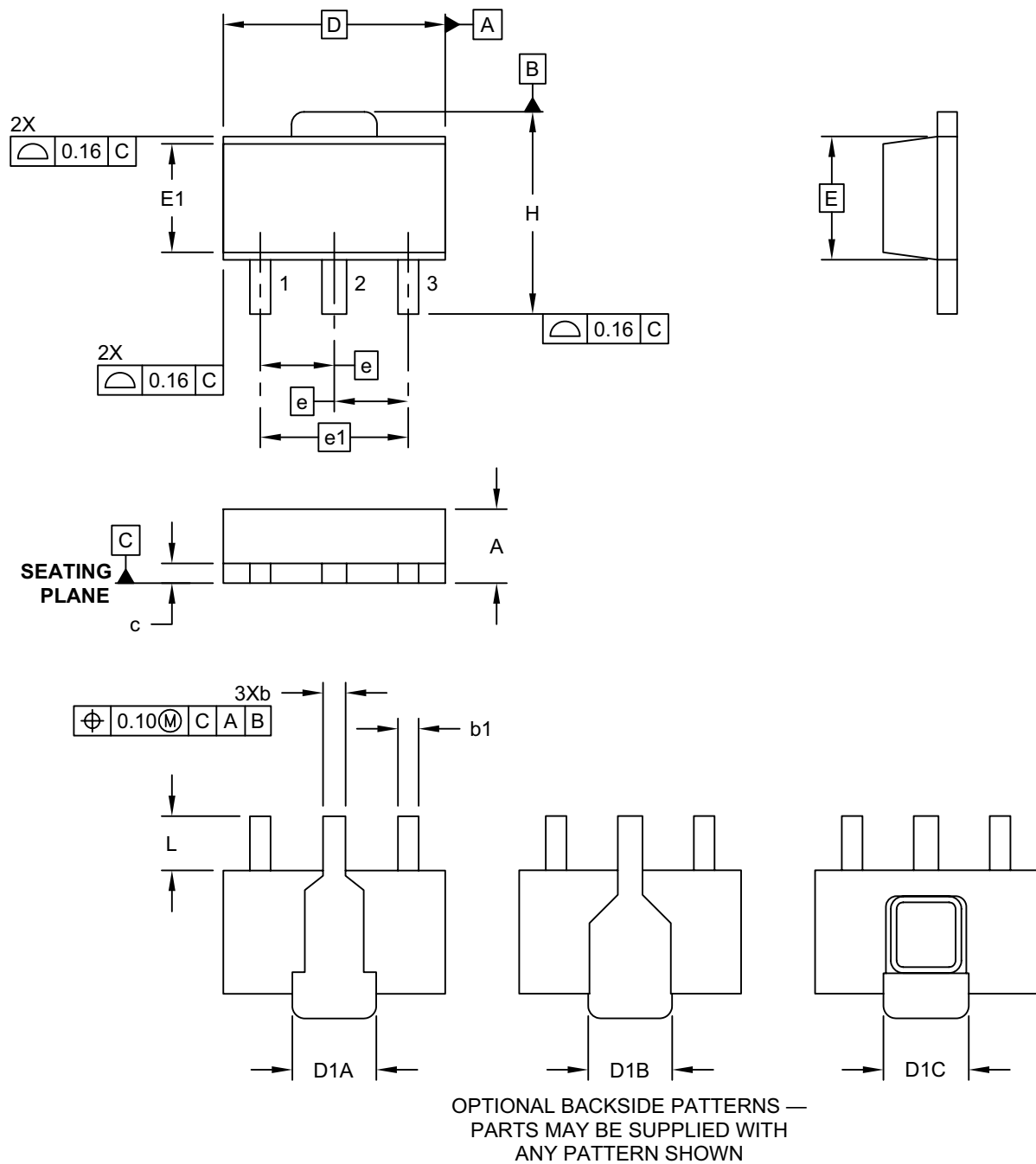
1. Dimensioning and tolerancing per ASME Y14.5M

BSC: Basic Dimension. Theoretically exact value shown without tolerances.

Microchip Technology Drawing No. C04-2130A

## 3-Lead Plastic Small Outline Transistor (MB) - [SOT-89]

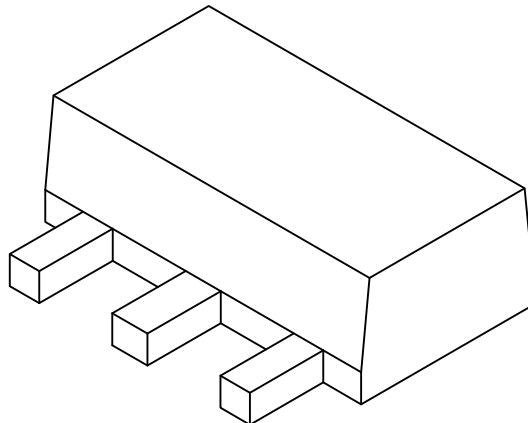
**Note:** For the most current package drawings, please see the Microchip Packaging Specification located at <http://www.microchip.com/packaging>



Microchip Technology Drawing C04-029C Sheet 1 of 2

## 3-Lead Plastic Small Outline Transistor (MB) - [SOT-89]

**Note:** For the most current package drawings, please see the Microchip Packaging Specification located at <http://www.microchip.com/packaging>



| Dimension Limits             | Units | MILLIMETERS |      |      |
|------------------------------|-------|-------------|------|------|
|                              |       | MIN         | NOM  | MAX  |
| Number of Leads              | N     | 3           |      |      |
| Pitch                        | e     | 1.50 BSC    |      |      |
| Outside Lead Pitch           | e1    | 3.00 BSC    |      |      |
| Overall Height               | A     | 1.40        | 1.50 | 1.60 |
| Overall Width                | H     | 3.94        | 4.10 | 4.25 |
| Molded Package Width at Base | E     | 2.50 BSC    |      |      |
| Molded Package Width at Top  | E1    | 2.13        | 2.20 | 2.29 |
| Overall Length               | D     | 4.50 BSC    |      |      |
| Tab Length (Option A)        | D1A   | 1.63        | 1.73 | 1.83 |
| Tab Length (Option B)        | D1B   | 1.40        | 1.60 | 1.75 |
| Tab Length (Option C)        | D1C   | 1.62        | 1.73 | 1.83 |
| Foot Length                  | L     | 0.79        | 1.10 | 1.20 |
| Lead Thickness               | c     | 0.35        | 0.40 | 0.44 |
| Lead 2 Width                 | b     | 0.41        | 0.50 | 0.56 |
| Leads 1 & 3 Width            | b1    | 0.36        | 0.42 | 0.48 |

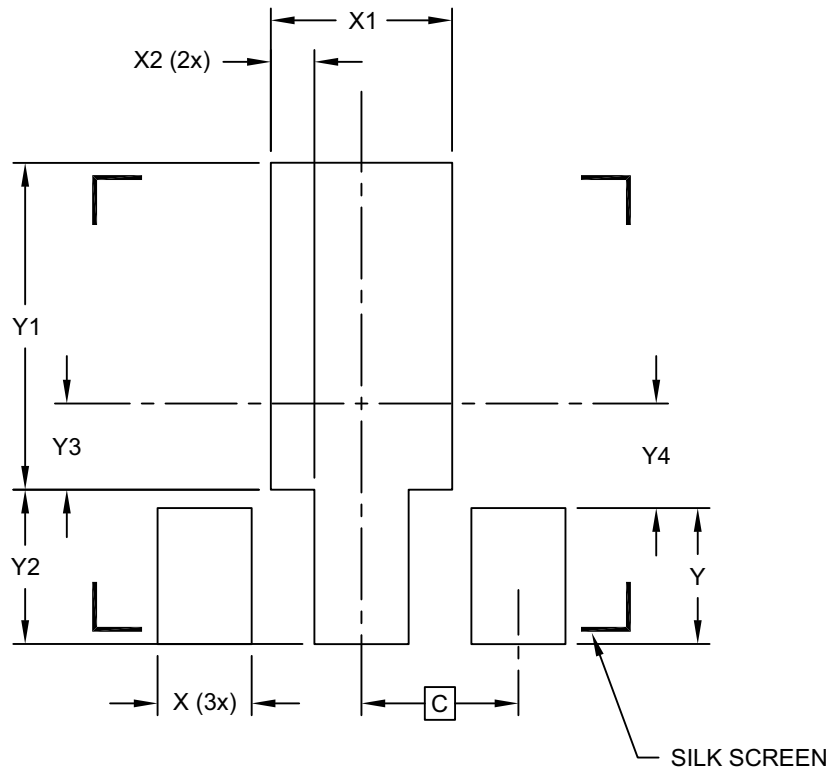
**Notes:**

1. Dimensions D and E do not include mold flash or protrusions. Mold flash or protrusions shall not exceed 0.127mm per side.
2. Dimensioning and tolerancing per ASME Y14.5M  
BSC: Basic Dimension. Theoretically exact value shown without tolerances.

Microchip Technology Drawing C04-029C Sheet 2 of 2

## 3-Lead Plastic Small Outline Transistor (MB) - [SOT-89]

**Note:** For the most current package drawings, please see the Microchip Packaging Specification located at <http://www.microchip.com/packaging>



### RECOMMENDED LAND PATTERN

| Units | MILLIMETERS |       |     |
|-------|-------------|-------|-----|
|       | MIN         | NOM   | MAX |
| C     | 1.50 (BSC)  |       |     |
| X     |             | 0.900 |     |
| X1    |             | 1.733 |     |
| X2    |             | 0.416 |     |
| Y     |             | 1.300 |     |
| Y1    |             | 4.600 |     |
| Y2    |             | 1.475 |     |
| Y3    |             | 0.950 |     |
| Y4    |             | 1.125 |     |

**Notes:**

1. Dimensioning and tolerancing per ASME Y14.5M

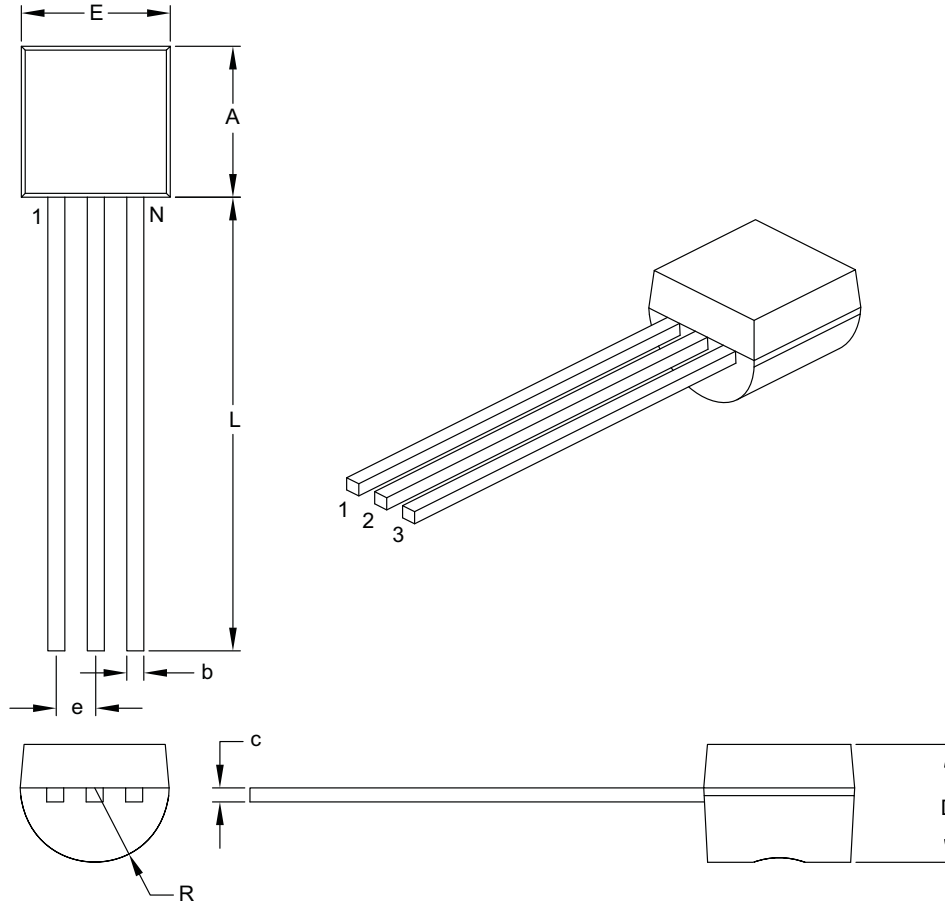
BSC: Basic Dimension. Theoretically exact value shown without tolerances.

Microchip Technology Drawing No. C04-2029B

# TC54

## 3-Lead Plastic Transistor Outline (ZB) [TO-92]

**Note:** For the most current package drawings, please see the Microchip Packaging Specification located at <http://www.microchip.com/packaging>



| Dimension Limits       | Units | INCHES   |      |
|------------------------|-------|----------|------|
|                        |       | MIN      | MAX  |
| Number of Pins         | N     | 3        |      |
| Pitch                  | e     | .050 BSC |      |
| Bottom to Package Flat | D     | .125     | .165 |
| Overall Width          | E     | .175     | .205 |
| Overall Length         | A     | .170     | .210 |
| Molded Package Radius  | R     | .080     | .105 |
| Tip to Seating Plane   | L     | .500     | -    |
| Lead Thickness         | c     | .014     | .021 |
| Lead Width             | b     | .014     | .022 |

**Notes:**

- Dimensions A and E do not include mold flash or protrusions. Mold flash or protrusions shall not exceed .005" per side.
- Dimensioning and tolerancing per ASME Y14.5M.  
BSC: Basic Dimension. Theoretically exact value shown without tolerances.

Microchip Technology Drawing C04-101B

---

## APPENDIX A: REVISION HISTORY

### Revision K (July 2014)

The following is the list of modifications:

1. Updated the “[DC Characteristics](#)” table.

### Revision J (June 2011)

The following is the list of modifications:

1. Updated temperature values in the “[Temperature Specifications](#)” table.
2. Corrected equation in [Figure 4-1](#).
3. Added new examples layout in [Section 5.1, Package Marking Information](#).

### Revision H (December 2007)

The following is the list of modifications:

1. Updated Features section.
2. Removed 5-Pin SOT-23 related information.
3. Updated Output Current ( $I_{OUT}$ ) Electrical Specification.
4. Removed 7.7V (typical) Voltage Trip Point Option. Max Trip Point Voltage is now 6.0V.
5. Updated Pin Function Table.
6. Updated Packaging Specification Information.
7. Added Revision History section.
8. Updated Product Identification System page.

### Revision G (August 2004)

Undocumented changes.

### Revision F (July 2004)

Undocumented changes.

### Revision E (April 2003)

Undocumented changes.

### Revision D (October 2002)

Undocumented changes.

### Revision C (July 2002)

Undocumented changes.

### Revision B (May 2002)

Undocumented changes.

### Revision A (March 2001)

Original Release of this Document.

## PRODUCT IDENTIFICATION SYSTEM

To order or obtain information, e.g., on pricing or delivery, refer to the factory or the listed sales office.

| <u>PART NO.</u>   | X                       | XX   | X   | X         | X     | XX  | XX               | Examples: |                |                         |  |  |  |  |  |  |  |                              |   |   |                      |  |  |  |  |  |  |   |   |             |  |  |  |  |  |                          |    |   |      |  |  |  |  |  |  |    |   |      |  |  |  |  |  |  |    |   |      |  |  |  |  |  |  |    |   |      |  |  |  |  |  |  |    |   |      |  |  |  |  |  |  |    |   |      |  |  |  |  |  |  |    |   |      |  |  |  |  |  |                            |   |   |       |  |  |  |  |  |                   |   |   |    |  |  |  |  |  |                     |   |   |                |  |  |  |  |  |                 |    |   |   |  |  |  |  |  |  |    |   |  |  |  |  |  |  |  |    |   |   |  |  |  |  |  |                          |     |   |                 |  |  |  |  |  |
|---|-------------------------|--|---|-----------|-------|-----|------------------|-----------|----------------|-------------------------|--|--|--|--|--|--|--|------------------------------|---|---|----------------------|--|--|--|--|--|--|---|---|-------------|--|--|--|--|--|--------------------------|----|---|------|--|--|--|--|--|--|----|---|------|--|--|--|--|--|--|----|---|------|--|--|--|--|--|--|----|---|------|--|--|--|--|--|--|----|---|------|--|--|--|--|--|--|----|---|------|--|--|--|--|--|--|----|---|------|--|--|--|--|--|----------------------------|---|---|-------|--|--|--|--|--|-------------------|---|---|----|--|--|--|--|--|---------------------|---|---|----------------|--|--|--|--|--|-----------------|----|---|---|--|--|--|--|--|--|----|---|--|--|--|--|--|--|--|----|---|---|--|--|--|--|--|--------------------------|-----|---|-----------------|--|--|--|--|--|
| Device  | Output Config.          | Detected Voltage   | Extra Feature Code                                | Tolerance | Temp. | Pkg | Taping Direction |           |                |                         |  |  |  |  |  |  |  |                              |   |   |                      |  |  |  |  |  |  |   |   |             |  |  |  |  |  |                          |    |   |      |  |  |  |  |  |  |    |   |      |  |  |  |  |  |  |    |   |      |  |  |  |  |  |  |    |   |      |  |  |  |  |  |  |    |   |      |  |  |  |  |  |  |    |   |      |  |  |  |  |  |  |    |   |      |  |  |  |  |  |                            |   |   |       |  |  |  |  |  |                   |   |   |    |  |  |  |  |  |                     |   |   |                |  |  |  |  |  |                 |    |   |   |  |  |  |  |  |  |    |   |  |  |  |  |  |  |  |    |   |   |  |  |  |  |  |                          |     |   |                 |  |  |  |  |  |
| <table border="1"> <tr> <td><b>Device:</b></td> <td colspan="2">TC54V: Voltage Detector</td> <td colspan="6"></td> </tr> <tr> <td><b>Output Configuration:</b></td> <td>N</td> <td>=</td> <td>N-Channel Open-Drain</td> <td colspan="5"></td> </tr> <tr> <td></td> <td>C</td> <td>=</td> <td>CMOS Output</td> <td colspan="5"></td> </tr> <tr> <td><b>Detected Voltage:</b></td> <td>14</td> <td>=</td> <td>1.4V</td> <td colspan="5"></td> </tr> <tr> <td></td> <td>21</td> <td>=</td> <td>2.1V</td> <td colspan="5"></td> </tr> <tr> <td></td> <td>27</td> <td>=</td> <td>2.7V</td> <td colspan="5"></td> </tr> <tr> <td></td> <td>29</td> <td>=</td> <td>2.9V</td> <td colspan="5"></td> </tr> <tr> <td></td> <td>30</td> <td>=</td> <td>3.0V</td> <td colspan="5"></td> </tr> <tr> <td></td> <td>42</td> <td>=</td> <td>4.2V</td> <td colspan="5"></td> </tr> <tr> <td></td> <td>43</td> <td>=</td> <td>4.3V</td> <td colspan="5"></td> </tr> <tr> <td><b>Extra Feature Code:</b></td> <td>0</td> <td>=</td> <td>Fixed</td> <td colspan="5"></td> </tr> <tr> <td><b>Tolerance:</b></td> <td>2</td> <td>=</td> <td>2%</td> <td colspan="5"></td> </tr> <tr> <td><b>Temperature:</b></td> <td>E</td> <td>=</td> <td>-40°C to +85°C</td> <td colspan="5"></td> </tr> <tr> <td><b>Package:</b></td> <td>CB</td> <td>=</td> <td>Plastic Small Outline Transistor, SOT-23A, 3-lead</td> <td colspan="5"></td> </tr> <tr> <td></td> <td>MB</td> <td>=</td> <td>Plastic Small Outline Transistor, SOT-89, 3-lead</td> <td colspan="5"></td> </tr> <tr> <td></td> <td>ZB</td> <td>=</td> <td>Plastic Transistor Outline, TO-92, 3-lead</td> <td colspan="5"></td> </tr> <tr> <td><b>Taping Direction:</b></td> <td>713</td> <td>=</td> <td>Standard Taping</td> <td colspan="5"></td> </tr> </table> |                         |  |   |           |       |     |                  |           | <b>Device:</b> | TC54V: Voltage Detector |  |  |  |  |  |  |  | <b>Output Configuration:</b> | N | = | N-Channel Open-Drain |  |  |  |  |  |  | C | = | CMOS Output |  |  |  |  |  | <b>Detected Voltage:</b> | 14 | = | 1.4V |  |  |  |  |  |  | 21 | = | 2.1V |  |  |  |  |  |  | 27 | = | 2.7V |  |  |  |  |  |  | 29 | = | 2.9V |  |  |  |  |  |  | 30 | = | 3.0V |  |  |  |  |  |  | 42 | = | 4.2V |  |  |  |  |  |  | 43 | = | 4.3V |  |  |  |  |  | <b>Extra Feature Code:</b> | 0 | = | Fixed |  |  |  |  |  | <b>Tolerance:</b> | 2 | = | 2% |  |  |  |  |  | <b>Temperature:</b> | E | = | -40°C to +85°C |  |  |  |  |  | <b>Package:</b> | CB | = | Plastic Small Outline Transistor, SOT-23A, 3-lead |  |  |  |  |  |  | MB | = | Plastic Small Outline Transistor, SOT-89, 3-lead |  |  |  |  |  |  | ZB | = | Plastic Transistor Outline, TO-92, 3-lead |  |  |  |  |  | <b>Taping Direction:</b> | 713 | = | Standard Taping |  |  |  |  |  |
| <b>Device:</b>  | TC54V: Voltage Detector |  |   |           |       |     |                  |           |                |                         |  |  |  |  |  |  |  |                              |   |   |                      |  |  |  |  |  |  |   |   |             |  |  |  |  |  |                          |    |   |      |  |  |  |  |  |  |    |   |      |  |  |  |  |  |  |    |   |      |  |  |  |  |  |  |    |   |      |  |  |  |  |  |  |    |   |      |  |  |  |  |  |  |    |   |      |  |  |  |  |  |  |    |   |      |  |  |  |  |  |                            |   |   |       |  |  |  |  |  |                   |   |   |    |  |  |  |  |  |                     |   |   |                |  |  |  |  |  |                 |    |   |   |  |  |  |  |  |  |    |   |  |  |  |  |  |  |  |    |   |   |  |  |  |  |  |                          |     |   |                 |  |  |  |  |  |
| <b>Output Configuration:</b>  | N                       | =  | N-Channel Open-Drain                              |           |       |     |                  |           |                |                         |  |  |  |  |  |  |  |                              |   |   |                      |  |  |  |  |  |  |   |   |             |  |  |  |  |  |                          |    |   |      |  |  |  |  |  |  |    |   |      |  |  |  |  |  |  |    |   |      |  |  |  |  |  |  |    |   |      |  |  |  |  |  |  |    |   |      |  |  |  |  |  |  |    |   |      |  |  |  |  |  |  |    |   |      |  |  |  |  |  |                            |   |   |       |  |  |  |  |  |                   |   |   |    |  |  |  |  |  |                     |   |   |                |  |  |  |  |  |                 |    |   |   |  |  |  |  |  |  |    |   |  |  |  |  |  |  |  |    |   |   |  |  |  |  |  |                          |     |   |                 |  |  |  |  |  |
|   | C                       | =  | CMOS Output                                       |           |       |     |                  |           |                |                         |  |  |  |  |  |  |  |                              |   |   |                      |  |  |  |  |  |  |   |   |             |  |  |  |  |  |                          |    |   |      |  |  |  |  |  |  |    |   |      |  |  |  |  |  |  |    |   |      |  |  |  |  |  |  |    |   |      |  |  |  |  |  |  |    |   |      |  |  |  |  |  |  |    |   |      |  |  |  |  |  |  |    |   |      |  |  |  |  |  |                            |   |   |       |  |  |  |  |  |                   |   |   |    |  |  |  |  |  |                     |   |   |                |  |  |  |  |  |                 |    |   |   |  |  |  |  |  |  |    |   |  |  |  |  |  |  |  |    |   |   |  |  |  |  |  |                          |     |   |                 |  |  |  |  |  |
| <b>Detected Voltage:</b>  | 14                      | =  | 1.4V  |           |       |     |                  |           |                |                         |  |  |  |  |  |  |  |                              |   |   |                      |  |  |  |  |  |  |   |   |             |  |  |  |  |  |                          |    |   |      |  |  |  |  |  |  |    |   |      |  |  |  |  |  |  |    |   |      |  |  |  |  |  |  |    |   |      |  |  |  |  |  |  |    |   |      |  |  |  |  |  |  |    |   |      |  |  |  |  |  |  |    |   |      |  |  |  |  |  |                            |   |   |       |  |  |  |  |  |                   |   |   |    |  |  |  |  |  |                     |   |   |                |  |  |  |  |  |                 |    |   |   |  |  |  |  |  |  |    |   |  |  |  |  |  |  |  |    |   |   |  |  |  |  |  |                          |     |   |                 |  |  |  |  |  |
|   | 21                      | =  | 2.1V  |           |       |     |                  |           |                |                         |  |  |  |  |  |  |  |                              |   |   |                      |  |  |  |  |  |  |   |   |             |  |  |  |  |  |                          |    |   |      |  |  |  |  |  |  |    |   |      |  |  |  |  |  |  |    |   |      |  |  |  |  |  |  |    |   |      |  |  |  |  |  |  |    |   |      |  |  |  |  |  |  |    |   |      |  |  |  |  |  |  |    |   |      |  |  |  |  |  |                            |   |   |       |  |  |  |  |  |                   |   |   |    |  |  |  |  |  |                     |   |   |                |  |  |  |  |  |                 |    |   |   |  |  |  |  |  |  |    |   |  |  |  |  |  |  |  |    |   |   |  |  |  |  |  |                          |     |   |                 |  |  |  |  |  |
|   | 27                      | =  | 2.7V  |           |       |     |                  |           |                |                         |  |  |  |  |  |  |  |                              |   |   |                      |  |  |  |  |  |  |   |   |             |  |  |  |  |  |                          |    |   |      |  |  |  |  |  |  |    |   |      |  |  |  |  |  |  |    |   |      |  |  |  |  |  |  |    |   |      |  |  |  |  |  |  |    |   |      |  |  |  |  |  |  |    |   |      |  |  |  |  |  |  |    |   |      |  |  |  |  |  |                            |   |   |       |  |  |  |  |  |                   |   |   |    |  |  |  |  |  |                     |   |   |                |  |  |  |  |  |                 |    |   |   |  |  |  |  |  |  |    |   |  |  |  |  |  |  |  |    |   |   |  |  |  |  |  |                          |     |   |                 |  |  |  |  |  |
|   | 29                      | =  | 2.9V  |           |       |     |                  |           |                |                         |  |  |  |  |  |  |  |                              |   |   |                      |  |  |  |  |  |  |   |   |             |  |  |  |  |  |                          |    |   |      |  |  |  |  |  |  |    |   |      |  |  |  |  |  |  |    |   |      |  |  |  |  |  |  |    |   |      |  |  |  |  |  |  |    |   |      |  |  |  |  |  |  |    |   |      |  |  |  |  |  |  |    |   |      |  |  |  |  |  |                            |   |   |       |  |  |  |  |  |                   |   |   |    |  |  |  |  |  |                     |   |   |                |  |  |  |  |  |                 |    |   |   |  |  |  |  |  |  |    |   |  |  |  |  |  |  |  |    |   |   |  |  |  |  |  |                          |     |   |                 |  |  |  |  |  |
|   | 30                      | =  | 3.0V  |           |       |     |                  |           |                |                         |  |  |  |  |  |  |  |                              |   |   |                      |  |  |  |  |  |  |   |   |             |  |  |  |  |  |                          |    |   |      |  |  |  |  |  |  |    |   |      |  |  |  |  |  |  |    |   |      |  |  |  |  |  |  |    |   |      |  |  |  |  |  |  |    |   |      |  |  |  |  |  |  |    |   |      |  |  |  |  |  |  |    |   |      |  |  |  |  |  |                            |   |   |       |  |  |  |  |  |                   |   |   |    |  |  |  |  |  |                     |   |   |                |  |  |  |  |  |                 |    |   |   |  |  |  |  |  |  |    |   |  |  |  |  |  |  |  |    |   |   |  |  |  |  |  |                          |     |   |                 |  |  |  |  |  |
|   | 42                      | =  | 4.2V  |           |       |     |                  |           |                |                         |  |  |  |  |  |  |  |                              |   |   |                      |  |  |  |  |  |  |   |   |             |  |  |  |  |  |                          |    |   |      |  |  |  |  |  |  |    |   |      |  |  |  |  |  |  |    |   |      |  |  |  |  |  |  |    |   |      |  |  |  |  |  |  |    |   |      |  |  |  |  |  |  |    |   |      |  |  |  |  |  |  |    |   |      |  |  |  |  |  |                            |   |   |       |  |  |  |  |  |                   |   |   |    |  |  |  |  |  |                     |   |   |                |  |  |  |  |  |                 |    |   |   |  |  |  |  |  |  |    |   |  |  |  |  |  |  |  |    |   |   |  |  |  |  |  |                          |     |   |                 |  |  |  |  |  |
|   | 43                      | =  | 4.3V  |           |       |     |                  |           |                |                         |  |  |  |  |  |  |  |                              |   |   |                      |  |  |  |  |  |  |   |   |             |  |  |  |  |  |                          |    |   |      |  |  |  |  |  |  |    |   |      |  |  |  |  |  |  |    |   |      |  |  |  |  |  |  |    |   |      |  |  |  |  |  |  |    |   |      |  |  |  |  |  |  |    |   |      |  |  |  |  |  |  |    |   |      |  |  |  |  |  |                            |   |   |       |  |  |  |  |  |                   |   |   |    |  |  |  |  |  |                     |   |   |                |  |  |  |  |  |                 |    |   |   |  |  |  |  |  |  |    |   |  |  |  |  |  |  |  |    |   |   |  |  |  |  |  |                          |     |   |                 |  |  |  |  |  |
| <b>Extra Feature Code:</b>  | 0                       | =  | Fixed   |           |       |     |                  |           |                |                         |  |  |  |  |  |  |  |                              |   |   |                      |  |  |  |  |  |  |   |   |             |  |  |  |  |  |                          |    |   |      |  |  |  |  |  |  |    |   |      |  |  |  |  |  |  |    |   |      |  |  |  |  |  |  |    |   |      |  |  |  |  |  |  |    |   |      |  |  |  |  |  |  |    |   |      |  |  |  |  |  |  |    |   |      |  |  |  |  |  |                            |   |   |       |  |  |  |  |  |                   |   |   |    |  |  |  |  |  |                     |   |   |                |  |  |  |  |  |                 |    |   |   |  |  |  |  |  |  |    |   |  |  |  |  |  |  |  |    |   |   |  |  |  |  |  |                          |     |   |                 |  |  |  |  |  |
| <b>Tolerance:</b>   | 2                       | =  | 2%  |           |       |     |                  |           |                |                         |  |  |  |  |  |  |  |                              |   |   |                      |  |  |  |  |  |  |   |   |             |  |  |  |  |  |                          |    |   |      |  |  |  |  |  |  |    |   |      |  |  |  |  |  |  |    |   |      |  |  |  |  |  |  |    |   |      |  |  |  |  |  |  |    |   |      |  |  |  |  |  |  |    |   |      |  |  |  |  |  |  |    |   |      |  |  |  |  |  |                            |   |   |       |  |  |  |  |  |                   |   |   |    |  |  |  |  |  |                     |   |   |                |  |  |  |  |  |                 |    |   |   |  |  |  |  |  |  |    |   |  |  |  |  |  |  |  |    |   |   |  |  |  |  |  |                          |     |   |                 |  |  |  |  |  |
| <b>Temperature:</b>   | E                       | =  | -40°C to +85°C                                    |           |       |     |                  |           |                |                         |  |  |  |  |  |  |  |                              |   |   |                      |  |  |  |  |  |  |   |   |             |  |  |  |  |  |                          |    |   |      |  |  |  |  |  |  |    |   |      |  |  |  |  |  |  |    |   |      |  |  |  |  |  |  |    |   |      |  |  |  |  |  |  |    |   |      |  |  |  |  |  |  |    |   |      |  |  |  |  |  |  |    |   |      |  |  |  |  |  |                            |   |   |       |  |  |  |  |  |                   |   |   |    |  |  |  |  |  |                     |   |   |                |  |  |  |  |  |                 |    |   |   |  |  |  |  |  |  |    |   |  |  |  |  |  |  |  |    |   |   |  |  |  |  |  |                          |     |   |                 |  |  |  |  |  |
| <b>Package:</b>   | CB                      | =  | Plastic Small Outline Transistor, SOT-23A, 3-lead |           |       |     |                  |           |                |                         |  |  |  |  |  |  |  |                              |   |   |                      |  |  |  |  |  |  |   |   |             |  |  |  |  |  |                          |    |   |      |  |  |  |  |  |  |    |   |      |  |  |  |  |  |  |    |   |      |  |  |  |  |  |  |    |   |      |  |  |  |  |  |  |    |   |      |  |  |  |  |  |  |    |   |      |  |  |  |  |  |  |    |   |      |  |  |  |  |  |                            |   |   |       |  |  |  |  |  |                   |   |   |    |  |  |  |  |  |                     |   |   |                |  |  |  |  |  |                 |    |   |   |  |  |  |  |  |  |    |   |  |  |  |  |  |  |  |    |   |   |  |  |  |  |  |                          |     |   |                 |  |  |  |  |  |
|   | MB                      | =  | Plastic Small Outline Transistor, SOT-89, 3-lead  |           |       |     |                  |           |                |                         |  |  |  |  |  |  |  |                              |   |   |                      |  |  |  |  |  |  |   |   |             |  |  |  |  |  |                          |    |   |      |  |  |  |  |  |  |    |   |      |  |  |  |  |  |  |    |   |      |  |  |  |  |  |  |    |   |      |  |  |  |  |  |  |    |   |      |  |  |  |  |  |  |    |   |      |  |  |  |  |  |  |    |   |      |  |  |  |  |  |                            |   |   |       |  |  |  |  |  |                   |   |   |    |  |  |  |  |  |                     |   |   |                |  |  |  |  |  |                 |    |   |   |  |  |  |  |  |  |    |   |  |  |  |  |  |  |  |    |   |   |  |  |  |  |  |                          |     |   |                 |  |  |  |  |  |
|   | ZB                      | =  | Plastic Transistor Outline, TO-92, 3-lead         |           |       |     |                  |           |                |                         |  |  |  |  |  |  |  |                              |   |   |                      |  |  |  |  |  |  |   |   |             |  |  |  |  |  |                          |    |   |      |  |  |  |  |  |  |    |   |      |  |  |  |  |  |  |    |   |      |  |  |  |  |  |  |    |   |      |  |  |  |  |  |  |    |   |      |  |  |  |  |  |  |    |   |      |  |  |  |  |  |  |    |   |      |  |  |  |  |  |                            |   |   |       |  |  |  |  |  |                   |   |   |    |  |  |  |  |  |                     |   |   |                |  |  |  |  |  |                 |    |   |   |  |  |  |  |  |  |    |   |  |  |  |  |  |  |  |    |   |   |  |  |  |  |  |                          |     |   |                 |  |  |  |  |  |
| <b>Taping Direction:</b>  | 713                     | =  | Standard Taping                                   |           |       |     |                  |           |                |                         |  |  |  |  |  |  |  |                              |   |   |                      |  |  |  |  |  |  |   |   |             |  |  |  |  |  |                          |    |   |      |  |  |  |  |  |  |    |   |      |  |  |  |  |  |  |    |   |      |  |  |  |  |  |  |    |   |      |  |  |  |  |  |  |    |   |      |  |  |  |  |  |  |    |   |      |  |  |  |  |  |  |    |   |      |  |  |  |  |  |                            |   |   |       |  |  |  |  |  |                   |   |   |    |  |  |  |  |  |                     |   |   |                |  |  |  |  |  |                 |    |   |   |  |  |  |  |  |  |    |   |  |  |  |  |  |  |  |    |   |   |  |  |  |  |  |                          |     |   |                 |  |  |  |  |  |
| a)  | TC54VC1402ECB713:       | Tape and Reel, 1.4V Voltage Detector, 2% Tol., SOT-23A-3 |   |           |       |     |                  |           |                |                         |  |  |  |  |  |  |  |                              |   |   |                      |  |  |  |  |  |  |   |   |             |  |  |  |  |  |                          |    |   |      |  |  |  |  |  |  |    |   |      |  |  |  |  |  |  |    |   |      |  |  |  |  |  |  |    |   |      |  |  |  |  |  |  |    |   |      |  |  |  |  |  |  |    |   |      |  |  |  |  |  |  |    |   |      |  |  |  |  |  |                            |   |   |       |  |  |  |  |  |                   |   |   |    |  |  |  |  |  |                     |   |   |                |  |  |  |  |  |                 |    |   |   |  |  |  |  |  |  |    |   |  |  |  |  |  |  |  |    |   |   |  |  |  |  |  |                          |     |   |                 |  |  |  |  |  |
| b)  | TC54VC1402EMB713:       | Tape and Reel, 1.4V Voltage Detector, 2% Tol., SOT-89-3  |   |           |       |     |                  |           |                |                         |  |  |  |  |  |  |  |                              |   |   |                      |  |  |  |  |  |  |   |   |             |  |  |  |  |  |                          |    |   |      |  |  |  |  |  |  |    |   |      |  |  |  |  |  |  |    |   |      |  |  |  |  |  |  |    |   |      |  |  |  |  |  |  |    |   |      |  |  |  |  |  |  |    |   |      |  |  |  |  |  |  |    |   |      |  |  |  |  |  |                            |   |   |       |  |  |  |  |  |                   |   |   |    |  |  |  |  |  |                     |   |   |                |  |  |  |  |  |                 |    |   |   |  |  |  |  |  |  |    |   |  |  |  |  |  |  |  |    |   |   |  |  |  |  |  |                          |     |   |                 |  |  |  |  |  |
| c)  | TC54VC1402EZB:          | 1.4V Voltage Detector, 2% Tol., TO-92                    |   |           |       |     |                  |           |                |                         |  |  |  |  |  |  |  |                              |   |   |                      |  |  |  |  |  |  |   |   |             |  |  |  |  |  |                          |    |   |      |  |  |  |  |  |  |    |   |      |  |  |  |  |  |  |    |   |      |  |  |  |  |  |  |    |   |      |  |  |  |  |  |  |    |   |      |  |  |  |  |  |  |    |   |      |  |  |  |  |  |  |    |   |      |  |  |  |  |  |                            |   |   |       |  |  |  |  |  |                   |   |   |    |  |  |  |  |  |                     |   |   |                |  |  |  |  |  |                 |    |   |   |  |  |  |  |  |  |    |   |  |  |  |  |  |  |  |    |   |   |  |  |  |  |  |                          |     |   |                 |  |  |  |  |  |
| d)  | TC54VC2102ECB713:       | Tape and Reel, 2.1V Voltage Detector, 2% Tol., SOT-23A-3 |   |           |       |     |                  |           |                |                         |  |  |  |  |  |  |  |                              |   |   |                      |  |  |  |  |  |  |   |   |             |  |  |  |  |  |                          |    |   |      |  |  |  |  |  |  |    |   |      |  |  |  |  |  |  |    |   |      |  |  |  |  |  |  |    |   |      |  |  |  |  |  |  |    |   |      |  |  |  |  |  |  |    |   |      |  |  |  |  |  |  |    |   |      |  |  |  |  |  |                            |   |   |       |  |  |  |  |  |                   |   |   |    |  |  |  |  |  |                     |   |   |                |  |  |  |  |  |                 |    |   |   |  |  |  |  |  |  |    |   |  |  |  |  |  |  |  |    |   |   |  |  |  |  |  |                          |     |   |                 |  |  |  |  |  |
| e)  | TC54VC2102EMB713:       | Tape and Reel, 2.1V Voltage Detector, 2% Tol., SOT-89-3  |   |           |       |     |                  |           |                |                         |  |  |  |  |  |  |  |                              |   |   |                      |  |  |  |  |  |  |   |   |             |  |  |  |  |  |                          |    |   |      |  |  |  |  |  |  |    |   |      |  |  |  |  |  |  |    |   |      |  |  |  |  |  |  |    |   |      |  |  |  |  |  |  |    |   |      |  |  |  |  |  |  |    |   |      |  |  |  |  |  |  |    |   |      |  |  |  |  |  |                            |   |   |       |  |  |  |  |  |                   |   |   |    |  |  |  |  |  |                     |   |   |                |  |  |  |  |  |                 |    |   |   |  |  |  |  |  |  |    |   |  |  |  |  |  |  |  |    |   |   |  |  |  |  |  |                          |     |   |                 |  |  |  |  |  |
| f)  | TC54VC2102EZB:          | 2.1V Voltage Detector, 2% Tol., TO-92                    |   |           |       |     |                  |           |                |                         |  |  |  |  |  |  |  |                              |   |   |                      |  |  |  |  |  |  |   |   |             |  |  |  |  |  |                          |    |   |      |  |  |  |  |  |  |    |   |      |  |  |  |  |  |  |    |   |      |  |  |  |  |  |  |    |   |      |  |  |  |  |  |  |    |   |      |  |  |  |  |  |  |    |   |      |  |  |  |  |  |  |    |   |      |  |  |  |  |  |                            |   |   |       |  |  |  |  |  |                   |   |   |    |  |  |  |  |  |                     |   |   |                |  |  |  |  |  |                 |    |   |   |  |  |  |  |  |  |    |   |  |  |  |  |  |  |  |    |   |   |  |  |  |  |  |                          |     |   |                 |  |  |  |  |  |
| g)  | TC54VC2702ECB713:       | Tape and Reel, 2.7V Voltage Detector, 2% Tol., SOT-23A-3 |   |           |       |     |                  |           |                |                         |  |  |  |  |  |  |  |                              |   |   |                      |  |  |  |  |  |  |   |   |             |  |  |  |  |  |                          |    |   |      |  |  |  |  |  |  |    |   |      |  |  |  |  |  |  |    |   |      |  |  |  |  |  |  |    |   |      |  |  |  |  |  |  |    |   |      |  |  |  |  |  |  |    |   |      |  |  |  |  |  |  |    |   |      |  |  |  |  |  |                            |   |   |       |  |  |  |  |  |                   |   |   |    |  |  |  |  |  |                     |   |   |                |  |  |  |  |  |                 |    |   |   |  |  |  |  |  |  |    |   |  |  |  |  |  |  |  |    |   |   |  |  |  |  |  |                          |     |   |                 |  |  |  |  |  |
| h)  | TC54VC3002ECB713:       | Tape and Reel, 3.0V Voltage Detector, 2% Tol., SOT-23A-3 |   |           |       |     |                  |           |                |                         |  |  |  |  |  |  |  |                              |   |   |                      |  |  |  |  |  |  |   |   |             |  |  |  |  |  |                          |    |   |      |  |  |  |  |  |  |    |   |      |  |  |  |  |  |  |    |   |      |  |  |  |  |  |  |    |   |      |  |  |  |  |  |  |    |   |      |  |  |  |  |  |  |    |   |      |  |  |  |  |  |  |    |   |      |  |  |  |  |  |                            |   |   |       |  |  |  |  |  |                   |   |   |    |  |  |  |  |  |                     |   |   |                |  |  |  |  |  |                 |    |   |   |  |  |  |  |  |  |    |   |  |  |  |  |  |  |  |    |   |   |  |  |  |  |  |                          |     |   |                 |  |  |  |  |  |
| i)  | TC54VN4202ECB713:       | Tape and Reel, 4.2V Voltage Detector, 2% Tol., SOT-23A-3 |   |           |       |     |                  |           |                |                         |  |  |  |  |  |  |  |                              |   |   |                      |  |  |  |  |  |  |   |   |             |  |  |  |  |  |                          |    |   |      |  |  |  |  |  |  |    |   |      |  |  |  |  |  |  |    |   |      |  |  |  |  |  |  |    |   |      |  |  |  |  |  |  |    |   |      |  |  |  |  |  |  |    |   |      |  |  |  |  |  |  |    |   |      |  |  |  |  |  |                            |   |   |       |  |  |  |  |  |                   |   |   |    |  |  |  |  |  |                     |   |   |                |  |  |  |  |  |                 |    |   |   |  |  |  |  |  |  |    |   |  |  |  |  |  |  |  |    |   |   |  |  |  |  |  |                          |     |   |                 |  |  |  |  |  |

---

**Note the following details of the code protection feature on Microchip devices:**

- Microchip products meet the specification contained in their particular Microchip Data Sheet.
- Microchip believes that its family of products is one of the most secure families of its kind on the market today, when used in the intended manner and under normal conditions.
- There are dishonest and possibly illegal methods used to breach the code protection feature. All of these methods, to our knowledge, require using the Microchip products in a manner outside the operating specifications contained in Microchip's Data Sheets. Most likely, the person doing so is engaged in theft of intellectual property.
- Microchip is willing to work with the customer who is concerned about the integrity of their code.
- Neither Microchip nor any other semiconductor manufacturer can guarantee the security of their code. Code protection does not mean that we are guaranteeing the product as “unbreakable.”

Code protection is constantly evolving. We at Microchip are committed to continuously improving the code protection features of our products. Attempts to break Microchip's code protection feature may be a violation of the Digital Millennium Copyright Act. If such acts allow unauthorized access to your software or other copyrighted work, you may have a right to sue for relief under that Act.

---

Information contained in this publication regarding device applications and the like is provided only for your convenience and may be superseded by updates. It is your responsibility to ensure that your application meets with your specifications. MICROCHIP MAKES NO REPRESENTATIONS OR WARRANTIES OF ANY KIND WHETHER EXPRESS OR IMPLIED, WRITTEN OR ORAL, STATUTORY OR OTHERWISE, RELATED TO THE INFORMATION, INCLUDING BUT NOT LIMITED TO ITS CONDITION, QUALITY, PERFORMANCE, MERCHANTABILITY OR FITNESS FOR PURPOSE. Microchip disclaims all liability arising from this information and its use. Use of Microchip devices in life support and/or safety applications is entirely at the buyer's risk, and the buyer agrees to defend, indemnify and hold harmless Microchip from any and all damages, claims, suits, or expenses resulting from such use. No licenses are conveyed, implicitly or otherwise, under any Microchip intellectual property rights.

**Trademarks**

The Microchip name and logo, the Microchip logo, dsPIC, FlashFlex, flexPWR, JukeBlox, KEELOQ, KEELOQ logo, Klear, LANCheck, MediaLB, MOST, MOST logo, MPLAB, OptoLyzer, PIC, PICSTART, PIC<sup>32</sup> logo, RightTouch, SpyNIC, SST, SST Logo, SuperFlash and UNI/O are registered trademarks of Microchip Technology Incorporated in the U.S.A. and other countries.

The Embedded Control Solutions Company and mTouch are registered trademarks of Microchip Technology Incorporated in the U.S.A.

Analog-for-the-Digital Age, BodyCom, chipKIT, chipKIT logo, CodeGuard, dsPICDEM, dsPICDEM.net, ECAN, In-Circuit Serial Programming, ICSP, Inter-Chip Connectivity, KlearNet, KlearNet logo, MiWi, MPASM, MPF, MPLAB Certified logo, MPLIB, MPLINK, MultiTRAK, NetDetach, Omniscient Code Generation, PICDEM, PICDEM.net, PICkit, PICtail, RightTouch logo, REAL ICE, SQI, Serial Quad I/O, Total Endurance, TSHARC, USBCheck, VariSense, ViewSpan, WiperLock, Wireless DNA, and ZENA are trademarks of Microchip Technology Incorporated in the U.S.A. and other countries.

SQTP is a service mark of Microchip Technology Incorporated in the U.S.A.

Silicon Storage Technology is a registered trademark of Microchip Technology Inc. in other countries.

GestIC is a registered trademarks of Microchip Technology Germany II GmbH & Co. KG, a subsidiary of Microchip Technology Inc., in other countries.

All other trademarks mentioned herein are property of their respective companies.

© 2001-2014, Microchip Technology Incorporated, Printed in the U.S.A., All Rights Reserved.

ISBN: 978-1-63276-422-5

**QUALITY MANAGEMENT SYSTEM**  
**CERTIFIED BY DNV**  
**== ISO/TS 16949 ==**

*Microchip received ISO/TS-16949:2009 certification for its worldwide headquarters, design and wafer fabrication facilities in Chandler and Tempe, Arizona; Gresham, Oregon and design centers in California and India. The Company's quality system processes and procedures are for its PIC<sup>®</sup> MCUs and dsPIC<sup>®</sup> DSCs, KEELOQ<sup>®</sup> code hopping devices, Serial EEPROMs, microperipherals, nonvolatile memory and analog products. In addition, Microchip's quality system for the design and manufacture of development systems is ISO 9001:2000 certified.*



# MICROCHIP

## Worldwide Sales and Service

### AMERICAS

**Corporate Office**  
2355 West Chandler Blvd.  
Chandler, AZ 85224-6199  
Tel: 480-792-7200  
Fax: 480-792-7277  
Technical Support:  
<http://www.microchip.com/support>  
Web Address:  
[www.microchip.com](http://www.microchip.com)

**Atlanta**  
Duluth, GA  
Tel: 678-957-9614  
Fax: 678-957-1455

**Austin, TX**  
Tel: 512-257-3370

**Boston**  
Westborough, MA  
Tel: 774-760-0087  
Fax: 774-760-0088

**Chicago**  
Itasca, IL  
Tel: 630-285-0071  
Fax: 630-285-0075

**Cleveland**  
Independence, OH  
Tel: 216-447-0464  
Fax: 216-447-0643

**Dallas**  
Addison, TX  
Tel: 972-818-7423  
Fax: 972-818-2924

**Detroit**  
Novi, MI  
Tel: 248-848-4000

**Houston, TX**  
Tel: 281-894-5983

**Indianapolis**  
Noblesville, IN  
Tel: 317-773-8323  
Fax: 317-773-5453

**Los Angeles**  
Mission Viejo, CA  
Tel: 949-462-9523  
Fax: 949-462-9608

**New York, NY**  
Tel: 631-435-6000

**San Jose, CA**  
Tel: 408-735-9110

**Canada - Toronto**  
Tel: 905-673-0699  
Fax: 905-673-6509

### ASIA/PACIFIC

**Asia Pacific Office**  
Suites 3707-14, 37th Floor  
Tower 6, The Gateway  
Harbour City, Kowloon  
Hong Kong  
Tel: 852-2943-5100  
Fax: 852-2401-3431

**Australia - Sydney**  
Tel: 61-2-9868-6733  
Fax: 61-2-9868-6755

**China - Beijing**  
Tel: 86-10-8569-7000  
Fax: 86-10-8528-2104

**China - Chengdu**  
Tel: 86-28-8665-5511  
Fax: 86-28-8665-7889

**China - Chongqing**  
Tel: 86-23-8980-9588  
Fax: 86-23-8980-9500

**China - Hangzhou**  
Tel: 86-571-8792-8115  
Fax: 86-571-8792-8116

**China - Hong Kong SAR**  
Tel: 852-2943-5100  
Fax: 852-2401-3431

**China - Nanjing**  
Tel: 86-25-8473-2460  
Fax: 86-25-8473-2470

**China - Qingdao**  
Tel: 86-532-8502-7355  
Fax: 86-532-8502-7205

**China - Shanghai**  
Tel: 86-21-5407-5533  
Fax: 86-21-5407-5066

**China - Shenyang**  
Tel: 86-24-2334-2829  
Fax: 86-24-2334-2393

**China - Shenzhen**  
Tel: 86-755-8864-2200  
Fax: 86-755-8203-1760

**China - Wuhan**  
Tel: 86-27-5980-5300  
Fax: 86-27-5980-5118

**China - Xian**  
Tel: 86-29-8833-7252  
Fax: 86-29-8833-7256

**China - Xiamen**  
Tel: 86-592-2388138  
Fax: 86-592-2388130

**China - Zhuhai**  
Tel: 86-756-3210040  
Fax: 86-756-3210049

### ASIA/PACIFIC

**India - Bangalore**  
Tel: 91-80-3090-4444  
Fax: 91-80-3090-4123

**India - New Delhi**  
Tel: 91-11-4160-8631  
Fax: 91-11-4160-8632

**India - Pune**  
Tel: 91-20-3019-1500

**Japan - Osaka**  
Tel: 81-6-6152-7160  
Fax: 81-6-6152-9310

**Japan - Tokyo**  
Tel: 81-3-6880-3770  
Fax: 81-3-6880-3771

**Korea - Daegu**  
Tel: 82-53-744-4301  
Fax: 82-53-744-4302

**Korea - Seoul**  
Tel: 82-2-554-7200  
Fax: 82-2-558-5932 or  
82-2-558-5934

**Malaysia - Kuala Lumpur**  
Tel: 60-3-6201-9857  
Fax: 60-3-6201-9859

**Malaysia - Penang**  
Tel: 60-4-227-8870  
Fax: 60-4-227-4068

**Philippines - Manila**  
Tel: 63-2-634-9065  
Fax: 63-2-634-9069

**Singapore**  
Tel: 65-6334-8870  
Fax: 65-6334-8850

**Taiwan - Hsin Chu**  
Tel: 886-3-5778-366  
Fax: 886-3-5770-955

**Taiwan - Kaohsiung**  
Tel: 886-7-213-7830

**Taiwan - Taipei**  
Tel: 886-2-2508-8600  
Fax: 886-2-2508-0102

**Thailand - Bangkok**  
Tel: 66-2-694-1351  
Fax: 66-2-694-1350

### EUROPE

**Austria - Wels**  
Tel: 43-7242-2244-39  
Fax: 43-7242-2244-393

**Denmark - Copenhagen**  
Tel: 45-4450-2828  
Fax: 45-4485-2829

**France - Paris**  
Tel: 33-1-69-53-63-20  
Fax: 33-1-69-30-90-79

**Germany - Dusseldorf**  
Tel: 49-2129-3766400

**Germany - Munich**  
Tel: 49-89-627-144-0  
Fax: 49-89-627-144-44

**Germany - Pforzheim**  
Tel: 49-7231-424750

**Italy - Milan**  
Tel: 39-0331-742611  
Fax: 39-0331-466781

**Italy - Venice**  
Tel: 39-049-7625286

**Netherlands - Drunen**  
Tel: 31-416-690399  
Fax: 31-416-690340

**Poland - Warsaw**  
Tel: 48-22-3325737

**Spain - Madrid**  
Tel: 34-91-708-08-90  
Fax: 34-91-708-08-91

**Sweden - Stockholm**  
Tel: 46-8-5090-4654

**UK - Wokingham**  
Tel: 44-118-921-5800  
Fax: 44-118-921-5820

03/25/14

## Looking for pricing, stock, or lifecycle information?

Click below to explore more details on WIN SOURCE:

 [View TC54VC3002ECB713 on WIN SOURCE](#)

 [Microchip Technology](#) Information

## Optimize Your Supply Chain with WIN SOURCE Solutions

-  Global Sourcing Solution
-  Obsolete Management
-  Cost Control Management
-  Shortage Management
-  Alternative Solution
-  Excess Inventory Management