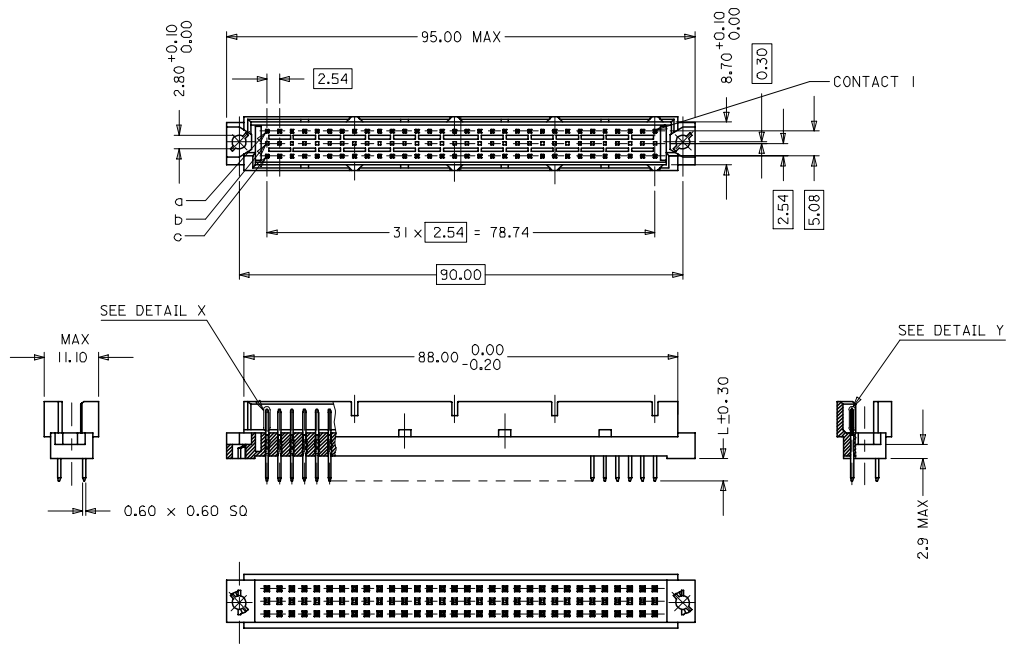


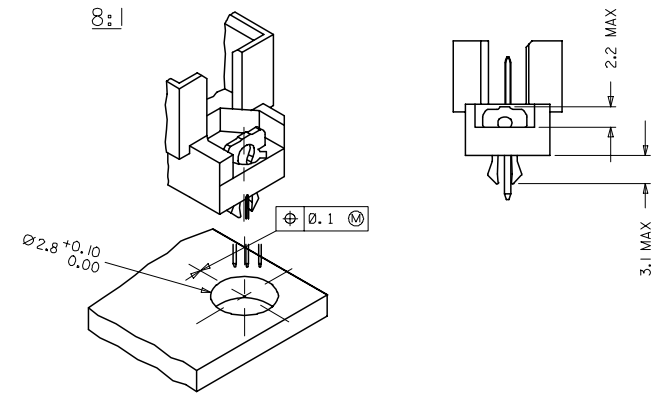


THE DATASHEET OF
365110121



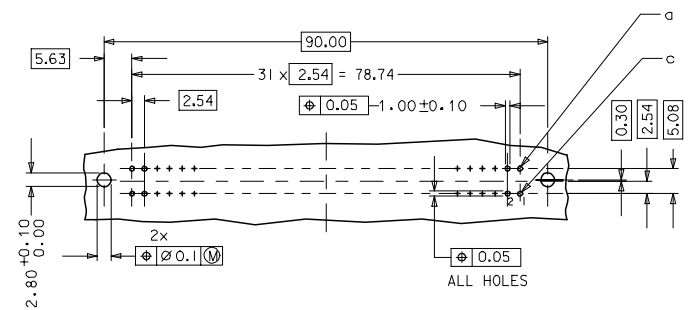


WITH MOUNTING CLIPS



- NOTES:
- 1) MATERIALS: THERMOPLASTIC POLYESTER, GLASS FILLED, UL94V-0, COLOUR: PEBBLE GREY RAL 7032
TERMINAL - BRASS
MOUNTING CLIP: STEEL
 - 2) FINISH: TERMINAL:-
CONTACT AREA
1. PERFORMANCE LEVEL 1; SELECTIVE GOLD (Au), THICKNESS = 1.1 MICROMETER
OVER NICKEL, THICKNESS = 1.25 MICROMETER
2. PERFORMANCE LEVEL 2; SELECTIVE GOLD (Au), THICKNESS = 0.6 MICROMETER
OVER NICKEL, THICKNESS = 1.25 MICROMETER
3. PERFORMANCE LEVEL 3; SELECTIVE GOLD (Au), THICKNESS = 0.3 MICROMETER
OVER NICKEL, THICKNESS = 1.25 MICROMETER
TERMINATION AREA:
SELECTIVE TIN, THICKNESS = 2.5 MICROMETER
OVER NICKEL, THICKNESS = 1.25 MICROMETER OVERALL
 - 3) MOUNTING CLIP:-
TIN (Sn), THICKNESS = 5-10 MICROMETER,
OVER NICKEL (Ni), THICKNESS = 2.5 MICROMETER
 - 4) FOR NON MOUNTING CLIP OPTION, CONNECTOR TO BE SECURED WITH
RIVETS: 2 TUBULAR RIVETS 2.5 x 0.3 ... DIN 7340
SCREWS: 2 CHEESEHEAD SCREWS M2.5 x ... DIN 84 AND 2 HEXAGONAL NUTS M2.5 DIN 934
 - 5) MATERIAL NUMBER, BATCH CODE, UL AND CSA MARKING
TO BE PRINTED ON THE CONNECTOR
 - 6) CUT FACE OF TIP WITHOUT PLATING PERMITTED
 - 7) PRODUCT SPECIFICATION PS : 36511-001

RECOMMENDED PCB LAYOUT
COMPONENT SIDE

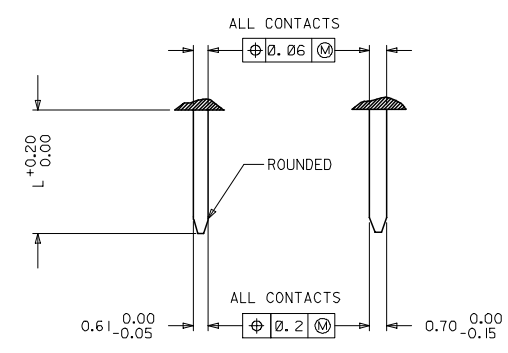


RoHS COMPLIANT

EC No: P007-0044 DRWNGSATTI/MARAD 2006/10/10 CHKDSSUDHIR 2006/10/11 APPR3SSUDHIR 2006/10/17	QUALITY SYMBOLS ▽=0 ▽=0	GENERAL TOLERANCES (UNLESS SPECIFIED)		DIMENSION STYLE MM ONLY		SCALE 2:1	DESIGN UNITS METRIC	THIRD ANGLE PROJECTION	
		4 PLACES ± --- ± ---	INCH	DRAWN BY SS	DATE 1999/09/24	ASSEMBLY, DIN 41612 R MALE 64 SOLDER			
		3 PLACES ± 0.05 ± ---	---	CHECKED BY GJLOWE	DATE 1999/09/24	MOLEX INCORPORATED			
		2 PLACES ± 0.1 ± ---	---	APPROVED BY GJLOWE	DATE 1999/09/24	MATERIAL NO. SEE CHART	DOCUMENT NO. SD-36511-004	SHEET NO. 1 OF 2	
1 PLACE ± 0.15 ± ---	---	ANGULAR ± 2°		THIS DRAWING CONTAINS INFORMATION THAT IS PROPRIETARY TO MOLEX INCORPORATED AND SHOULD NOT BE USED WITHOUT WRITTEN PERMISSION					
DRAFT WHERE APPLICABLE MUST REMAIN WITHIN DIMENSIONS		SIZE A 1							

	20	19	18	17	16	15	14	13	12	11	10	9	8	7	6	5	4	3	2	1	
MATERIAL No.	MOLEX ENG No.	PERF LEVEL	PLATING	CONTACT SEQUENCE/ROW	DIM "L" MM	MOUNTING CLIP	FMLB														
36511-0097	MM-B1401-R963	1	Au + Ni	1,2,3...32 a+c	2.9	NO	NO														
36511-0098	MM-B1501-R963	2	Au + Ni	1,2,3...32 a+c	2.9	NO	NO														
36511-0099	MM-B1601-R963	3	Au + Ni	1,2,3...32 a+c	2.9	NO	NO														
36511-0103	MM-B1401-R913	1	Au + Ni	1,2,3...32 a+c	2.9	YES	NO														
36511-0104	MM-B1501-R913	2	Au + Ni	1,2,3...32 a+c	2.9	YES	NO														
36511-0105	MM-B1601-R913	3	Au + Ni	1,2,3...32 a+c	2.9	YES	NO														
36511-0109	MM-B1401-R933	1	Au + Ni	1,2,3...32 a+c	2.9	NO	1,32a 1,32c														
36511-0110	MM-B1501-R933	2	Au + Ni	1,2,3...32 a+c	2.9	NO	1,32a 1,32c														
36511-0111	MM-B1601-R933	3	Au + Ni	1,2,3...32 a+c	2.9	NO	1,32a 1,32c														
36511-0115	MM-B1401-R953	1	Au + Ni	1,2,3...32 a+c	2.9	YES	1,32a 1,32c														
36511-0116	MM-B1501-R953	2	Au + Ni	1,2,3...32 a+c	2.9	YES	1,32a 1,32c														
36511-0117	MM-B1601-R953	3	Au + Ni	1,2,3...32 a+c	2.9	YES	1,32a 1,32c														
36511-0121	MM-B1402-R963	1	Au + Ni	1,2,3...32 a+c	4.5	NO	NO														
36511-0122	MM-B1502-R963	2	Au + Ni	1,2,3...32 a+c	4.5	NO	NO														
36511-0123	MM-B1602-R963	3	Au + Ni	1,2,3...32 a+c	4.5	NO	NO														
36511-0127	MM-B1402-R913	1	Au + Ni	1,2,3...32 a+c	4.5	YES	NO														
36511-0128	MM-B1502-R913	2	Au + Ni	1,2,3...32 a+c	4.5	YES	NO														
36511-0129	MM-B1602-R913	3	Au + Ni	1,2,3...32 a+c	4.5	YES	NO														
36511-0133	MM-B1402-R933	1	Au + Ni	1,2,3...32 a+c	4.5	NO	1,32a 1,32c														
36511-0134	MM-B1502-R933	2	Au + Ni	1,2,3...32 a+c	4.5	NO	1,32a 1,32c														
36511-0135	MM-B1602-R933	3	Au + Ni	1,2,3...32 a+c	4.5	NO	1,32a 1,32c														
36511-0139	MM-B1402-R953	1	Au + Ni	1,2,3...32 a+c	4.5	YES	1,32a 1,32c														
36511-0140	MM-B1502-R953	2	Au + Ni	1,2,3...32 a+c	4.5	YES	1,32a 1,32c														
36511-0141	MM-B1602-R953	3	Au + Ni	1,2,3...32 a+c	4.5	YES	1,32a 1,32c														

DETAILY DETAILX




PRE MATING CONTACTS	5.4
NORMAL CONTACTS	4.8
	L

RoHS COMPLIANT

EC No: 2007/0044 DRAWING: DRWNGATTI/MARAD 2006/10/10 CHKD: CHKRSUDHIR 2006/10/11 APPR: APPR:SSUDHIR 2006/10/17	QUALITY SYMBOLS ▽=0 ▽=0	GENERAL TOLERANCES (UNLESS SPECIFIED) mm INCH		DIMENSION STYLE MM ONLY		SCALE 2:1	DESIGN UNITS METRIC	THIRD ANGLE PROJECTION	
		4 PLACES ± 0.15 3 PLACES ± 0.05 2 PLACES ± 0.1 1 PLACE ± 0.15	± 0.005 ± 0.005 ± 0.005 ± 0.005	DATE 1999/09/24	DATE 1999/09/24	DATE 1999/09/24	DATE 1999/09/24	ASSEMBLY, DIN 41612 R MALE 64 POS SOLDER	
B1	DESCRIPTION	DRAFT WHERE APPLICABLE MUST REMAIN WITHIN DIMENSIONS		MATERIAL NO. SEE CHART	DOCUMENT NO. SD-36511-004	MOLEX INCORPORATED			
				SIZE A1	THIS DRAWING CONTAINS INFORMATION THAT IS PROPRIETARY TO MOLEX INCORPORATED AND SHOULD NOT BE USED WITHOUT WRITTEN PERMISSION				

Looking for pricing, stock, or lifecycle information?

Click below to explore more details on WIN SOURCE:

 [View 365110121 on WIN SOURCE](#)

 [Molex, LLC Information](#)

Optimize Your Supply Chain with WIN SOURCE Solutions

-  Global Sourcing Solution
-  Obsolete Management
-  Cost Control Management
-  Shortage Management
-  Alternative Solution
-  Excess Inventory Management